



4-PORT, 3-WAY DIVERTER ROUGH VALVE

ROHL Spa Shower

AC27NBO

FEATURES

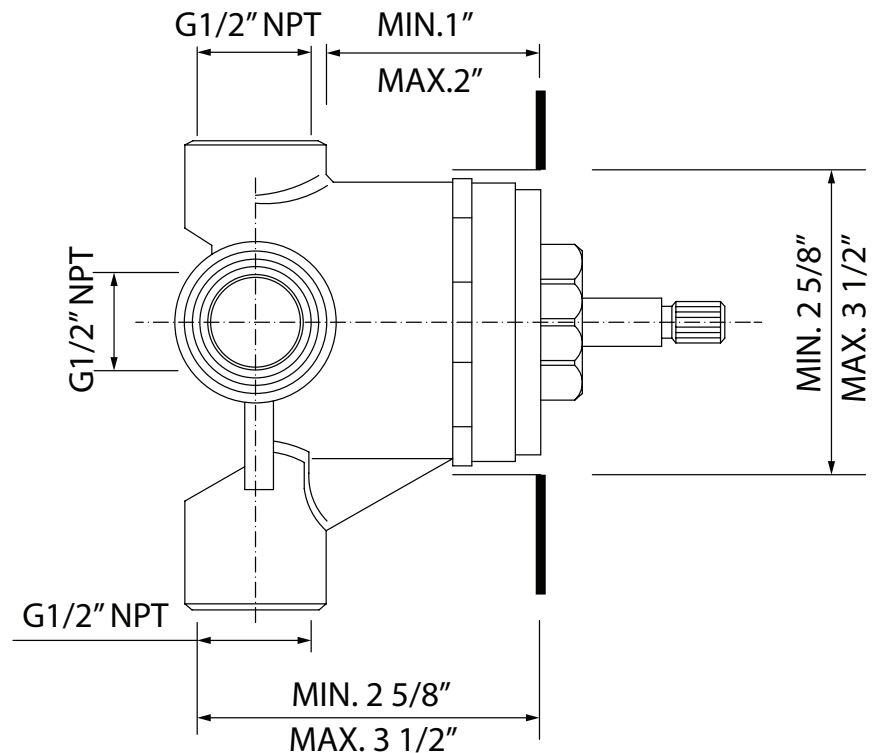
- Must use with volume control(s) or Pressure Balance systems
- Ceramic disc control cartridge
- 1/2" F inlet, 3 x 1/2" F outlets
- Flow can be split between adjacent outlets
- If only 2 outlets are being utilized, loop the "dead" outlet to a "live" outlet so the diverter does not have an off function
- Up to 5 GPM
- Min. depth: 2 1/8", max. depth: 3 1/8"
- Must order trim to complete

COLORS/FINISHES

- Rough only

WARRANTY

- Limited Lifetime



ROHL

Authentic Luxury for Kitchen and Bath®

www.rohlhome.com

INSTALLATION INSTRUCTIONS

cisal

ROHL
Authentic Luxury for Kitchen and Bath™

2015:AC27NBO ROUGH

ROUGH AND TRIM ARE ORDERED SEPARATELY.

Rough valve only: AC27NBO
4 PORT DIVERTER
1 PORT IN AND 3 PORTS OUT

A volume control will be needed on thermostatic systems. This is not a volume control.

Trim set only: choose the correct trim for your System:

ARCANA: AC 27 N/TO

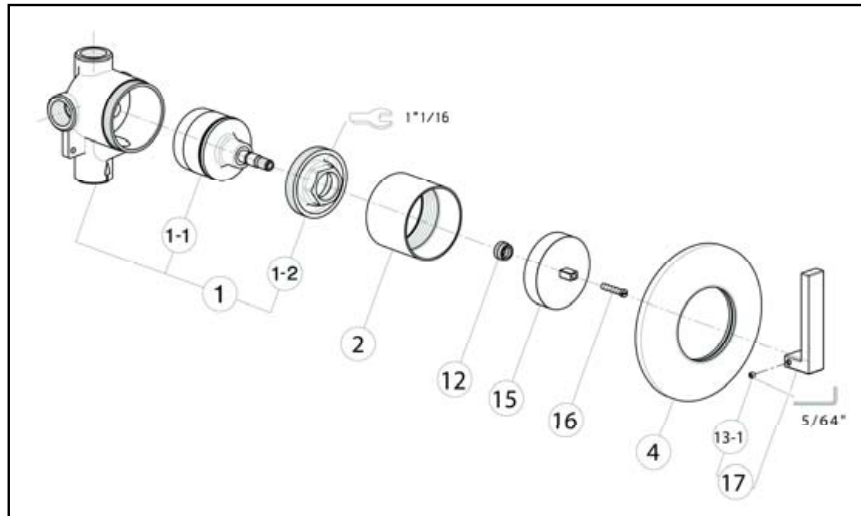
MODERN ARCHITECTURAL: BA27NL or X

MODERN WAVE: WA27NL

ROHL COUNTRY: AC2700N

 **cisal**
RUBINETTERIA
CISAL. L'ACQUALITÀ.®

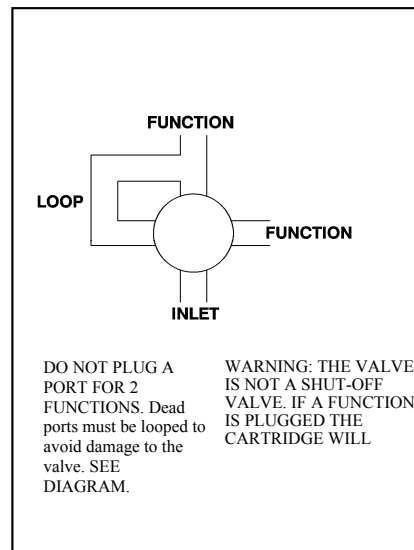
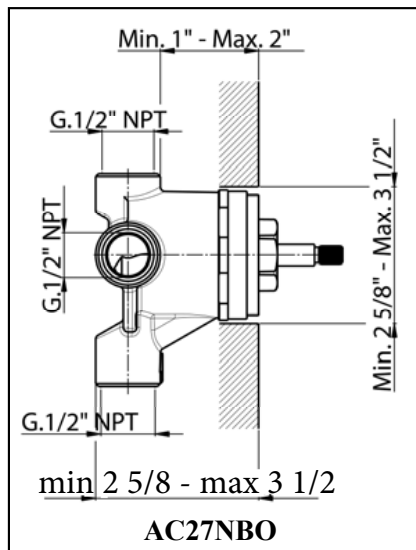
INSTALLATION INSTRUCTIONS



POS.	DESCRIPTION	CODE
1	4 way diverter – rough	ZA302270
1-1	Cartridge 4-way diverter	ZZ928470
1-2	Nut 4-way ceramic diverter	ZZ926020
2	Finished sleeve	ZZ979710
3	End cap for ceramic diverter “AC”	ZZ935560
4	Plate 4 way diverter	ZZ936910
5	Extension for “AC” trim set	ZZ926710
6	Handle with screw and plate “AC”	ZZ937010
6-1	Ring in brass 12x4,3x1	ZZ926730
6-2	Screw M.4x20	ZZ926500
6-3	Cap for handle “AR”	ZZ926170
7	Lever with screw and plate “AA”	ZZ929740
8	Porcelain lever with screw and plate “AP”	ZZ937040
9	Lever with screw and plate “AM”	ZZ951320
10	Lever with screw and plate “TS”	ZZ957700
11	End cap for ceramic diverter “BA”	ZZ935330
12	Complete broached reduction piece	ZZ933300
13	Lever “BA” for single hole mixer	ZZ942620
13-1	Screw-stainless steel M.4x4	ZZ933280
14	Handle “BA” for single hole mixer	ZZ937050
15	End cap for ceramic diverter “WA”	ZZ951060
16	Screw M.4x20	ZZ951400
17	Lever “WA”	ZZ947340

INSTALLATION INSTRUCTIONS

AC27NBO INSTALLATION INSTRUCTIONS



TECHNICAL INFORMATION

- Recommended hot water supply from water heater.....140° F
- Maximum water supply.....176°F
- Recommended pressure requirement.....15 to 72 psi
- Minimum pressure.....7 psi
- Maximum pressure.....145 psi
- Maximum pressure test231 psi

Installation instructions for the AC27NBO rough only valve:

Note: * AC27NBO must be ordered with the correct trim. Thermostatic system need at least 1 volume control. The AC27 is not a volume control.

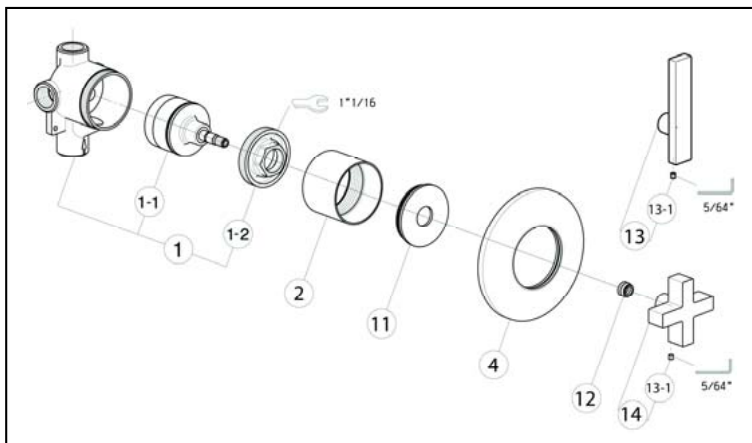
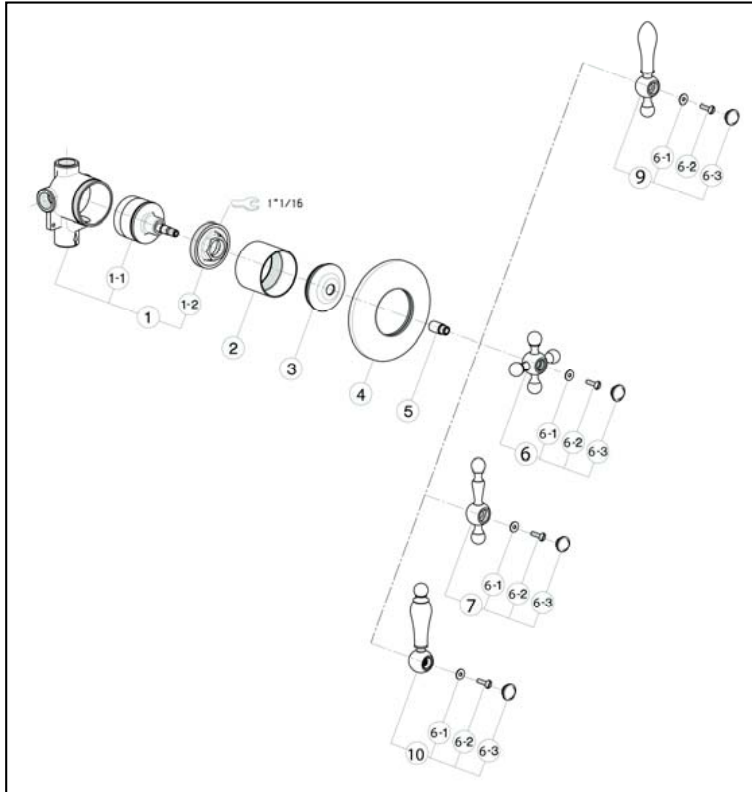
1. The valve is port specific. The inlet is longer than the outlets and is marked with an "arrow" in.
2. The unit can support up to 5 gpm.
3. Do not plug a port for 2 functions. Dead ports must be looped to avoid damage to the valve.

Operation: each outlet at 9,12 and 3 o'clock will run separately with no leaking between ports. Note: some draining can occur when switching from function to function.

4. Two functions can run at once. Set the handle in between ports and flow will go to 2 functions. With the handle at 9 o'clock, water will mix with 12, 12 will mix with 3 and 3 will mix with 9.
5. Avoid heating the valve. Heat could damage the cartridge. Connections using Teflon tape are recommended.

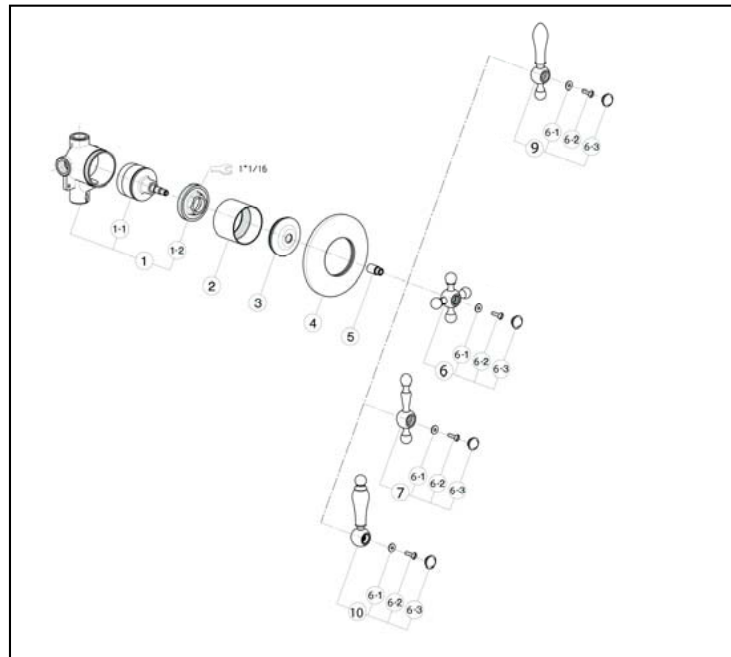
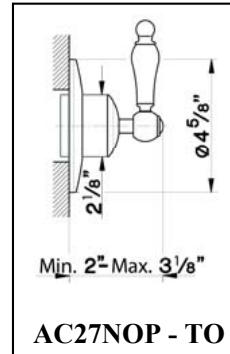
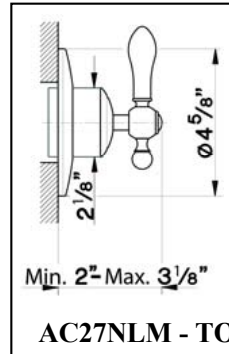
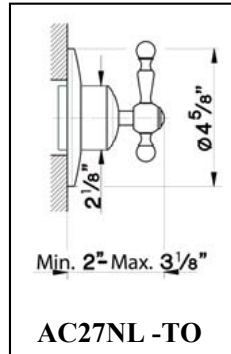
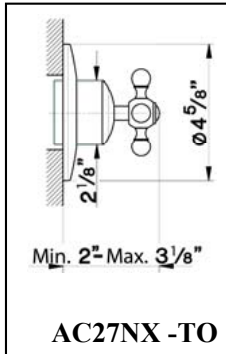
INSTALLATION INSTRUCTIONS

SPARE PARTS



INSTALLATION INSTRUCTIONS

AC27 TRIM INSTALLATION INSTRUCTIONS

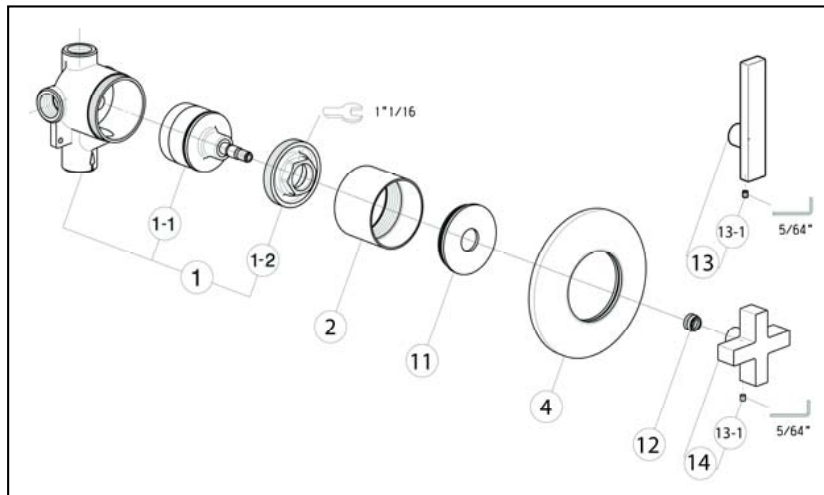
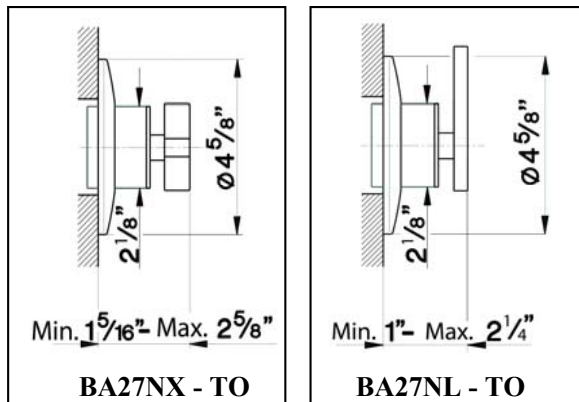


The trim has 4 basic parts: 1. The sliding escutcheon (4)- 2. The End cap (3)- 3. The lever assembly (6);(7);(8);(9);(10)- 4. The finished sleeve (2)

1. Screw the finished sleeve (2) on the rough valve. Slide the escutcheon (4) on the outer sleeve to the wall.
A small amount of silicone behind the escutcheon will preserve a seal.
2. Install the end cap (3) on the end of the sleeve.
3. Install the lever (7) – (8) – (9) – (10) or cross handle (6). The extension (5) goes on first.

INSTALLATION INSTRUCTIONS

BA27N TRIM INSTALLATION INSTRUCTIONS

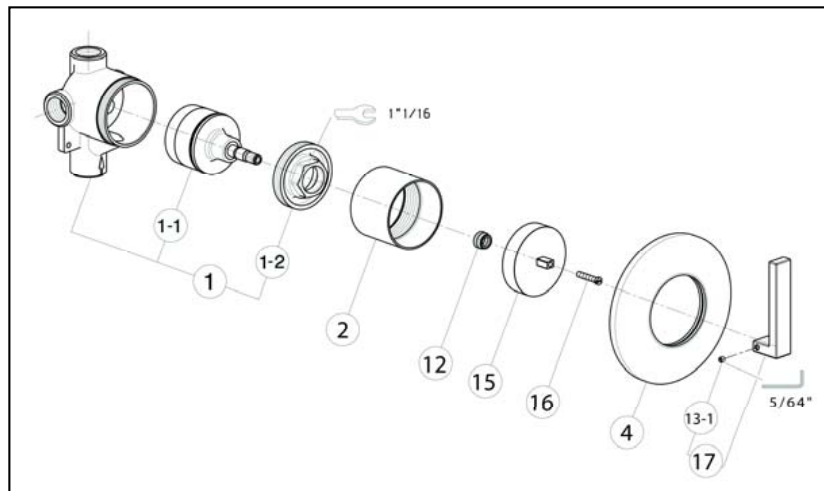
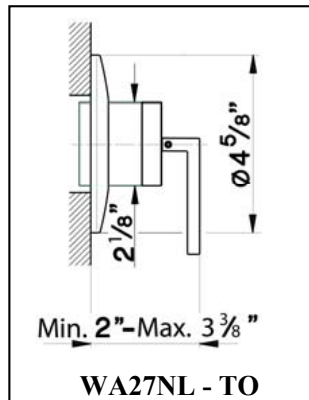


The trim has 4 basic parts: 1.The sliding escutcheon (4)- 2.The End cap (11)- 3.The lever assembly (13);(14).
- 4.The finished sleeve (2)

1. Screw the finished sleeve (2) on the rough valve. Slide the escutcheon (4) on the outer sleeve to the wall. A small amount of silicone behind the escutcheon will preserve a seal.
2. Install the end cap (11) on the end of the sleeve.
3. Install the lever (13) or cross handle (14). The extension (12) goes on first.

INSTALLATION INSTRUCTIONS

WA27N TRIM INSTALLATION INSTRUCTIONS



The trim has 4 basic parts: 1.The sliding escutcheon (4)- 2.The End cap (15)- 3.The lever assembly (17).
- 4.The finished sleeve (2)

1. Screw the finished sleeve (2) on the rough valve. Slide the escutcheon (4) on the outer sleeve to the wall.

A small amount of silicone behind the escutcheon will preserve a seal.

2. Install the end cap (15) on the cartridge shaft. The extension (12) goes on first.

3. Install the lever (17)

INSTALLATION INSTRUCTIONS

WARRANTY

Cisal Bath Collection has a limited lifetime warranty.

“Warranty Exclusion: This warranty is for normal domestic use only and excludes defect or injury caused by or resulting from misuse, abuse, neglect, accidental damage or improper installation”.

There is no warranty on the finish Tuscan Brass

FINISH CARE

1. WIPE DOWN AFTER USE TO AVOID SPOTTING
2. USE A SOFT BRUSH FOR DETAIL CLEANING
3. DO NOT USE SPRAY CLEANERS WITH AMMONIA, ALCOHOL OR BLEACH
4. DO NOT USE ABRASIVES LIKE COMET, AJAX OR BONAMI

FINISH	CLEANING	CARE
POLISHED CHROME	50-50 VINEGAR AND WATER	FLITZ WAX OR GAGNON'S SX
INCA BRASS	50-50 VINEGAR AND WATER	DO NOT USE FLITZ – GAGNON'S SX OK – WRIGHTS SILVER CREAM
POLISHED NICKEL	50-50 VINEGAR AND WATER	FLITZ WAX OR GAGNON'S SX
SATIN NICKEL	50-50 VINEGAR AND WATER	FLITZ WAX OR GAGNON'S SX
TUSCAN BRASS	PAT DRY AFTER USE	FLITZ WAX OR GAGNON'S SX

FOR WATER SPOTTING ON POLISHED CHROME OR POLISHED NICKEL,
USE WRIGHTS SILVER POLISH CREAM OR SIMICHROME PASTE.

ROHL
Authentic Luxury for Kitchen and Bath™

ROHL LLC
3 PARKER
IRVINE, CA 92618-1605 USA
TEL: 800-777-9762 FAX: 714-557-8635

 **cisal**
RUBINETTERIA
CISAL. L'ACQUALITÀ®

CISAL srl
28010 Alzo di Pella (Novara) – ITALY –
Via Pietro Durio, 160
Tel +39 0322 918111 – Fax +39 0322 969518
E-mail: cisal@cisal.it - www.cisal.it

Cod. 0101047000 Ed.03.15