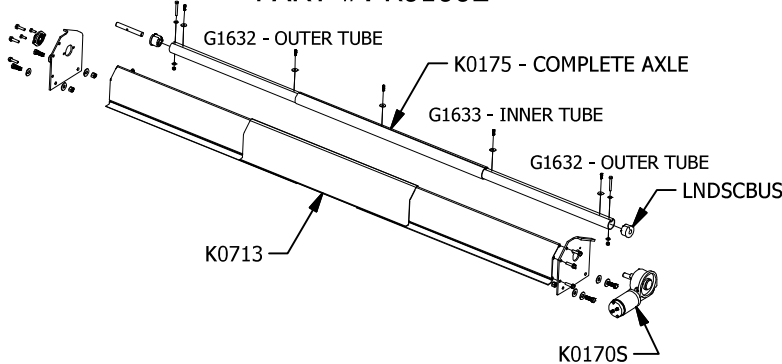


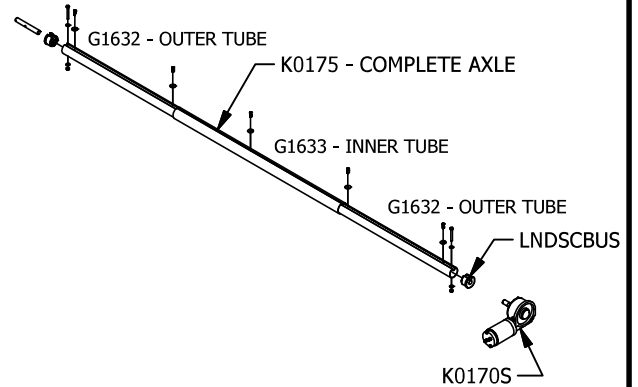
FLIP TARP TELESCOPING ASSEMBLY FOR DUMP BODIES - K12CSET / K12CSETPORT

**K12CSET KIT
AXLE ASSEMBLY
WITH TELESCOPING ROLLER BOX
PART #: K0100E**



CHECK FOR K12CSET

**K12CSETPORT KIT
AXLE ASSEMBLY**

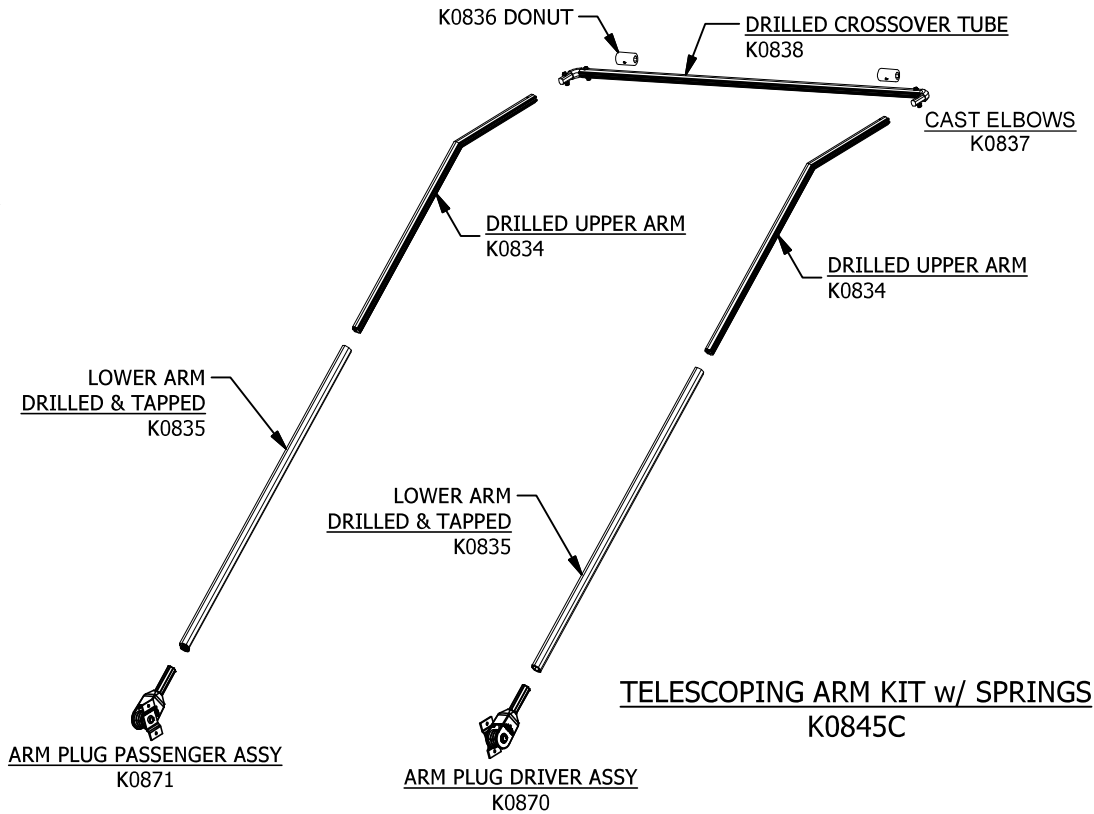


CHECK FOR K12CSETPORT

**TELESCOPING CROSSOVER COMPLETE
K0844**

ARM BEND

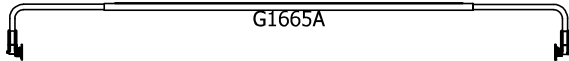
- NONE
- 1'
- 2'
- 3'



**ARM PLUG CAST ONLY
K0864**

**TELESCOPING ARM KIT w/ SPRINGS
K0845C**

TENSION HOOP OPTION



OPTIONS

TENSION HOOP

G1665A

WIRELESS REMOTE

MPW1000

PART #	KIT DESCRIPTION	PRICE	PART #	KIT DESCRIPTION	PRICE
K12CSET					
K12CSETPORT					