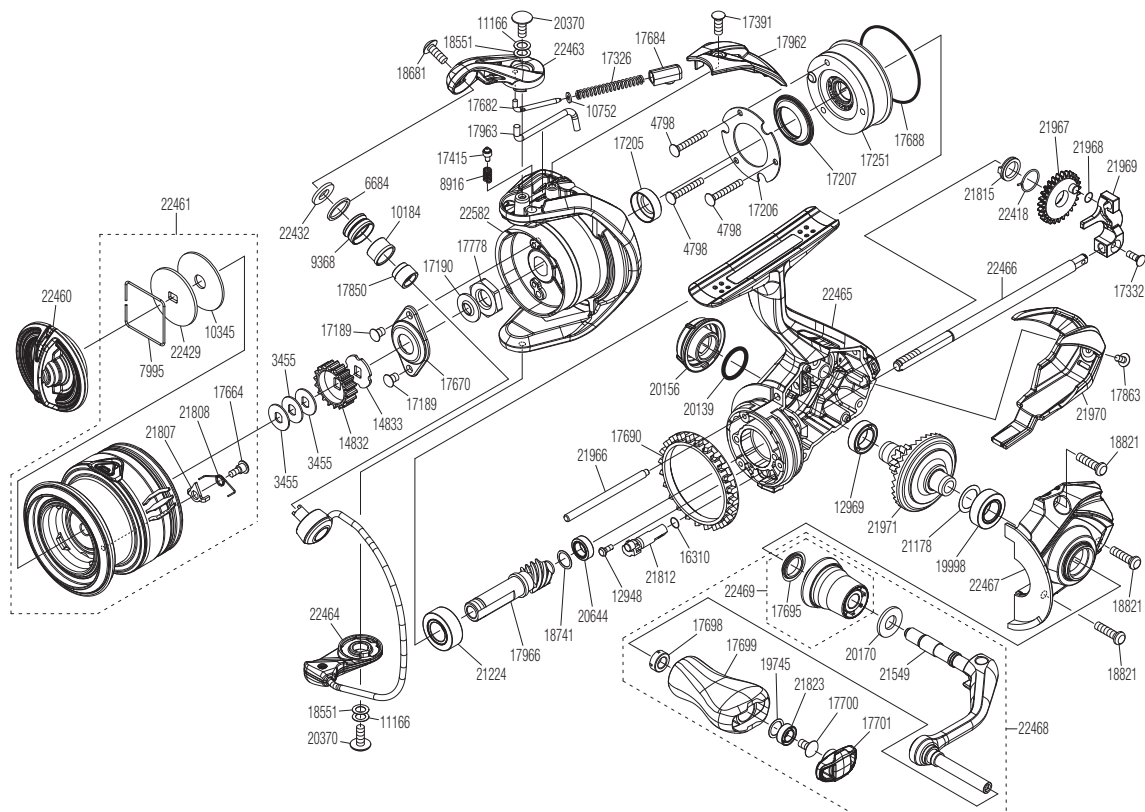


SHIMANO

MIRAVEL

MV-1000



Please note that the number of adjusting washers may not always be the same as shown in the exploded views.

(51SF631B10X)

Please note that your actions take full responsibility when you take it apart.

#	Part No.	Description	#	Part No.	Description	#	Part No.	Description
3455	10BXN	Spool Washer	17690	104FV	Friction Ring	21823	10K64	Ball Bearing
4798	103C6	Screw	17695	10PXV	Handle Shaft Seal	21966	101BN	Oscillating Guide
6684	10KFD	Spacer	17698	10PXZ	Bushing	21967	101BV	Oscillating Gear
7995	10B87	Retainer	17699	10328	Handle Knob	21968	101BW	O Ring
8916	10CH0	Click Spring	17700	10LFA	Screw	21969	101BP	Oscillating Slider
9368	10JLF	Line Roller	17701	10TNJ	Handle Knob Seal	21970	10R9D	Rear Protector
10184	10PFH	Bushing	17778	10TPL	Rotor Nut	21971	101BZ	Drive Gear
10345	10N5A	Drag Washer	17850	1020X	Collar	22418	10RPB	Bushing Spring
10752	10TYE	Bail Spring Guide A Collar	17863	10LCS	Screw	22429	10QBW	Key Washer
11166	10KFA	Spacer	17962	101T4	Bail Spring Cover	22432	101EM	Washer
12948	10L1N	Screw	17963	106L0	Bail Trip Lever	22460	10TS5	Drag Knob Assembly
12969	107FA	Ball Bearing	17966	101SU	Pinion Gear	22461	10TS6	Spool Assembly
14832	103MU	Spool Support A	18551	10K96	Washer	22463	10TS8	Bail Arm
14833	10J04	Spool Support B	18681	10PMH	Screw	22464	10TS9	Bail Assembly
16310	108WU	O Ring	18741	10SYU	Washer	22465	10TSA	Body Assembly
17189	10PMC	Screw	18821	101WL	Screw	22466	10TSB	Main Shaft
17190	107L4	Bearing Water Proof	19745	104FH	Washer	22467	10TSC	Side Cover
17205	10JHG	Rotor Ring	19998	10DZB	Ball Bearing	22468	10TSD	Handle Assembly
17206	10L62	Roller Clutch Reinforce	20139	10E3K	O Ring	22469	10TSE	Handle Shaft Cover Assembly
17207	10MH6	Roller Clutch Water Proof	20156	10RSE	Handle Screw Cap	22582	13XY7	Rotor
17251	10QPN	Roller Clutch Assembly	20170	10E5X	Washer			
17326	10R2N	Bail Spring	20370	103DA	Screw			
17332	10R1P	Screw	20644	10RKR	Ball Bearing			
17391	10LFK	Screw	21178	10EEZ	Washer			
17415	106ZC	Click Pin	21224	10E7A	Ball Bearing			
17664	10TRB	Screw	21549	10E6L	Handle Shank Assembly			
17670	10TRH	Rotor Nut Lock Plate	21807	10DS4	Drag Click			
17682	1061L	Bail Spring Guide A	21808	10DS6	Drag Click Spring			
17684	107AB	Bail Spring Guide B	21812	10T82	Anti Reverse Cam			
17688	10MLU	O Ring	21815	10TBH	Bushing			