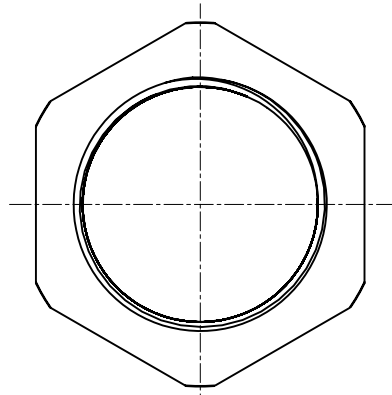
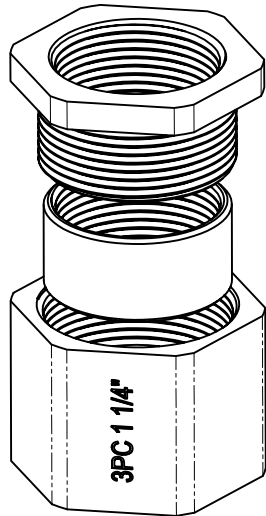


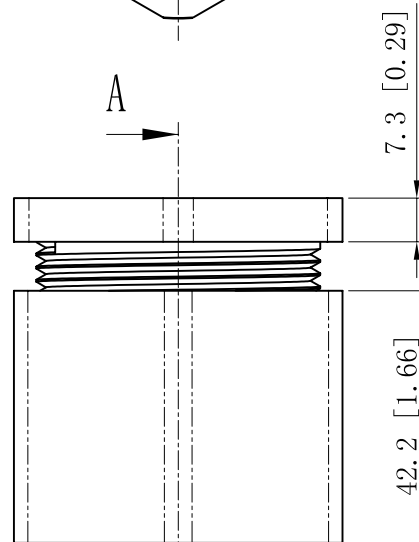
SIDES

BOTTOM

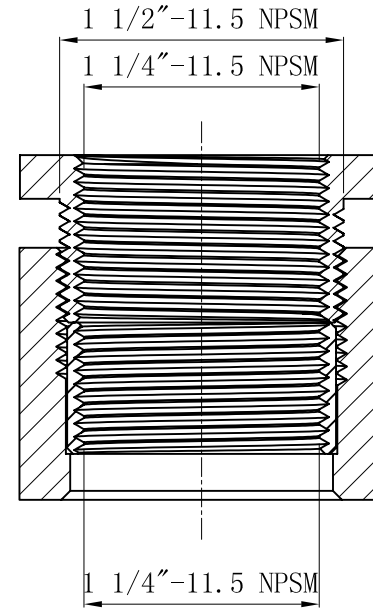
Material:malleable casting,Finish:Zinc plated



A



A



CUTAWAY VIEW A-A

This data sheet is for reference only .GARVIN INDUSTRIES reserves the right to make changes to the design without prior notice.

DESCRIPTION

TRADE REFERENCE TERMS

STANDARD PACKING

20 PCS

GARVIN INDUSTRIES

THREE-PIECE COUPLING

TITLE

SIZE
A4

DWG NO.

3PC125

REV

DATA SHEET