

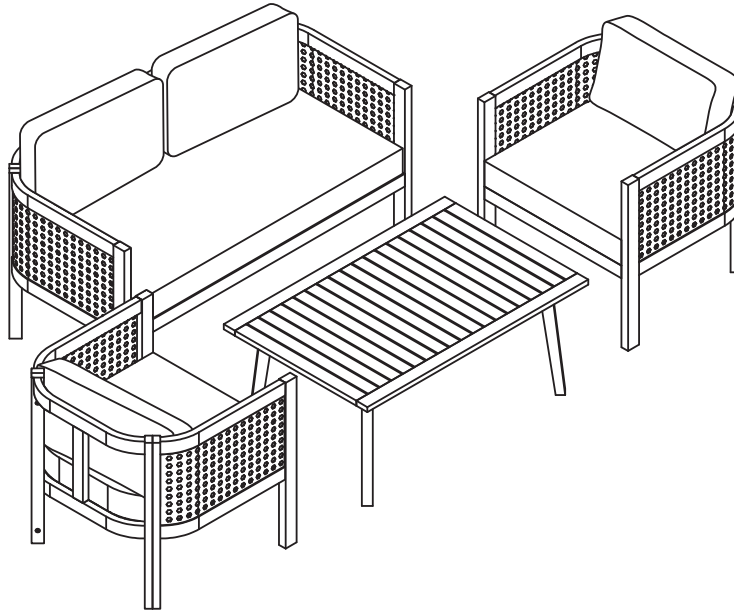
Thank you for choosing Sunnydaze Decor. We stand behind our brand and the quality of the items we sell. Replacement parts or products can be requested with the 1-year warranty period. Proof of purchase must be provided. This includes the date of the purchase as well as photos of the product defect. Photos are used to determine the cause of the defect and to provide future quality control. The request will be reviewed, and replacement pieces will be sent at our discretion. For warranty information, visit <https://tiny.cc/SunnydazeWarranty>

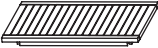
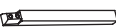
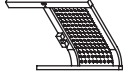
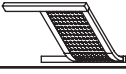

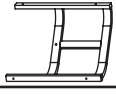


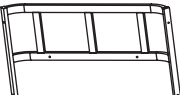

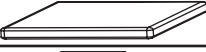


If you have any questions, comments or concerns, feel free to contact us by phone at 833-982-1977, by email: customerservice@sunnydazedecor.com, or via our contact us page at <https://tiny.cc/SunnydazeContact>

SANIBEL ACACIA CONVERSATION SET CRT-6561

Review all assembly and care information before using this product. Save this manual for future reference.


Assemble components on a soft, clean surface to avoid damaging the finish.








No.	PARTS	QTY.
A	 Table Top	1
B	 Table Leg	4
C	 Right Arm Panel	3
D	 Left Arm Panel	3
E	 Chair Support Bar	2
F	 Chair Back	2
H	 Loveseat Support Bar	1
J	 Chair Seat	2
K	 Loveseat Back	1
L	 Loveseat Seat	1
M	 Loveseat Cushion	1
N	 Chair Cushion	2
O	 Back Cushion	4



Inspect packaging to ensure all parts are accounted for before disposing of packing materials.

 Save the packing slip.

No.	HARDWARE	QTY.
1	 JCBC M8x45 Bolt	8
2	 Flat Washer	8
3	 JCBC M6x40 Bolt	17
4	 JCBC M6x30 Bolt	12
5	 M6x30mm Screw	6

INCLUDED TOOLS



Hex Key x2

NOTE: Save the included tools. Wood expands and contracts with changes in temperature and moisture, which may require hardware to be tightened.



WARNING

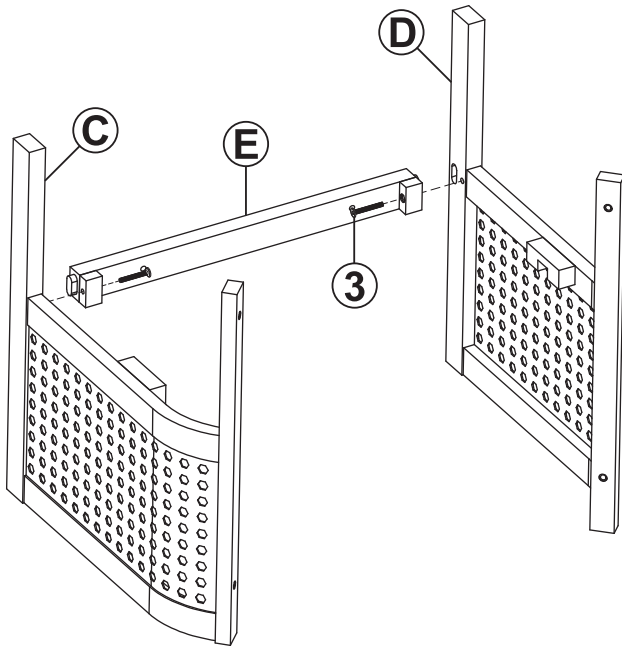
CHOKING HAZARD — This item contains small parts that can be swallowed. Keep children and pets away during assembly.

ASSEMBLY

STEP 1

C: 1
D: 1
E: 1
3: 2

x2

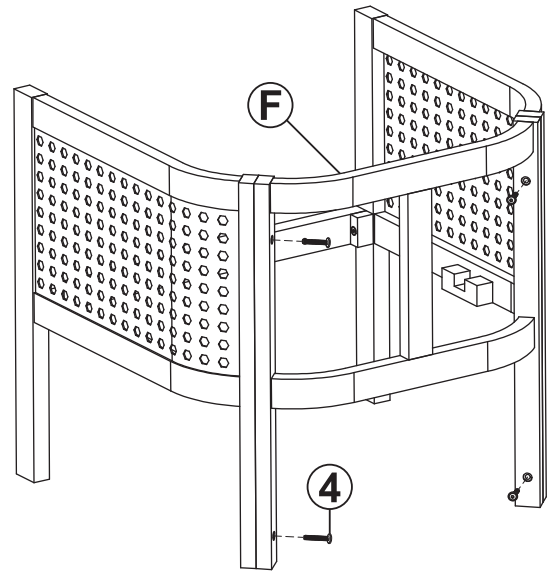


Loosely fasten Chair Support Bar (E) between Right Arm Panel (C) and Left Arm Panel (D) by hand-tightening two JCBC M6x40mm Bolts (3).

STEP 2

F: 1
4: 4

x2

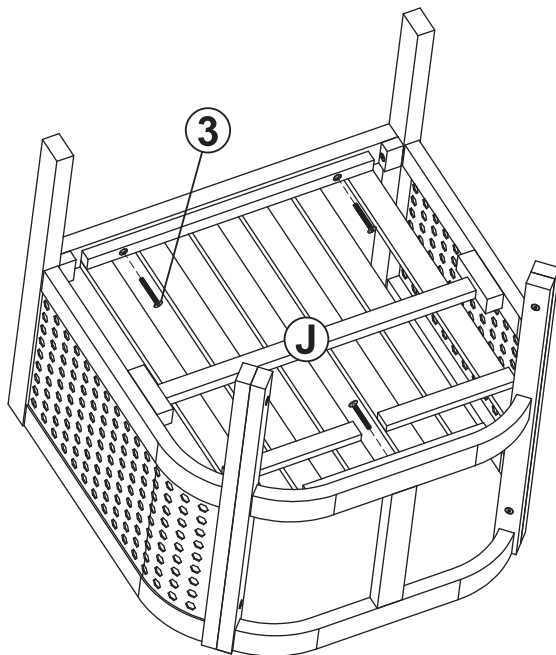


Loosely fasten Chair Back (F) to the arm panels by hand-tightening four JCBC M6x30mm Bolts (4).

STEP 3

J: 1
3: 3

x2

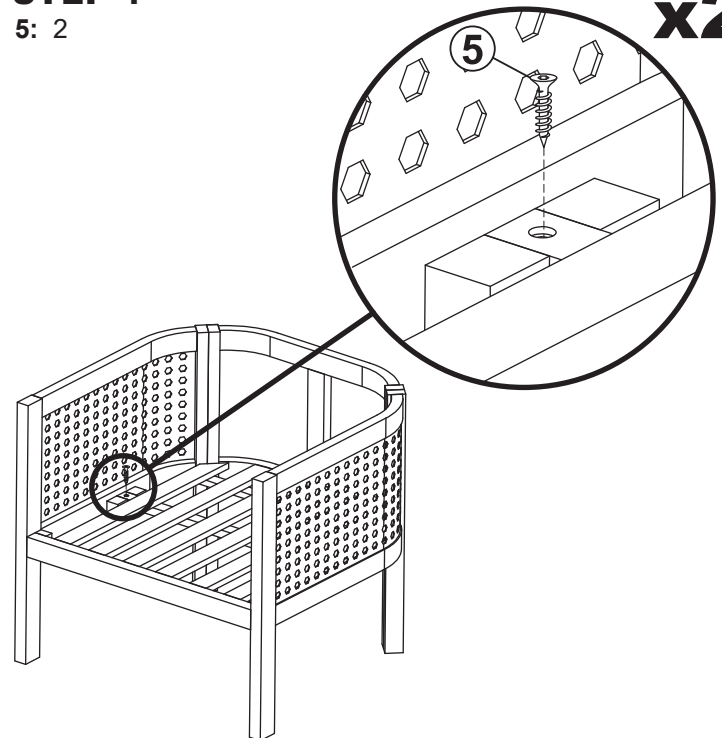


Fasten the underside of Chair Seat (J) to the chair frame using three JCBC M6x40mm Bolts (3).
Finish tightening all bolts.

STEP 4

5: 2

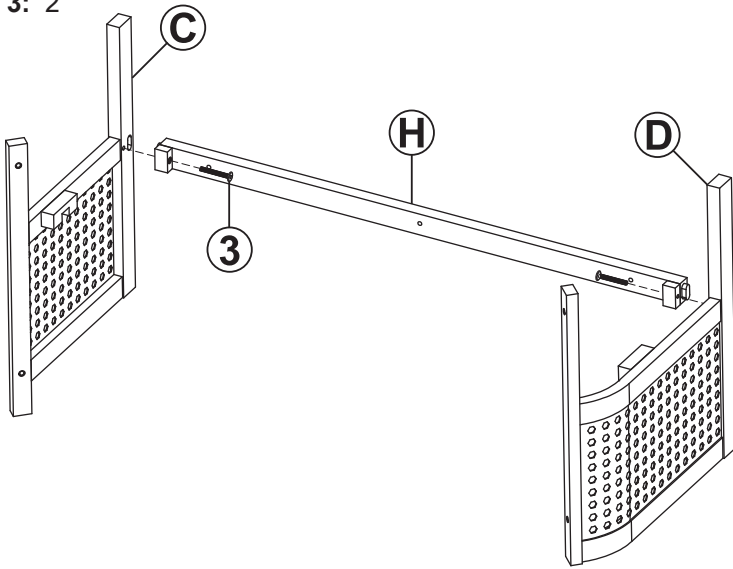
x2



Fasten the top of the seat to the frame using two M6x30mm Screws (5), as shown.

STEP 5

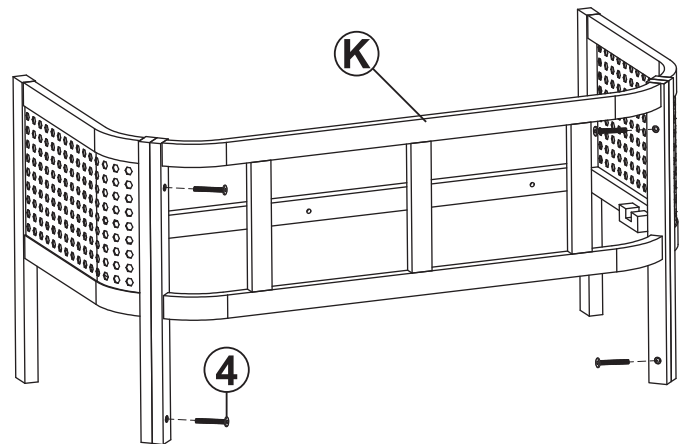
C: 1
D: 1
H: 1
3: 2



Loosely fasten Loveseat Support Bar (H) between Right Arm Panel (C) and Left Arm Panel (D) by hand-tightening two JCBC M6x40mm Bolts (3).

STEP 6

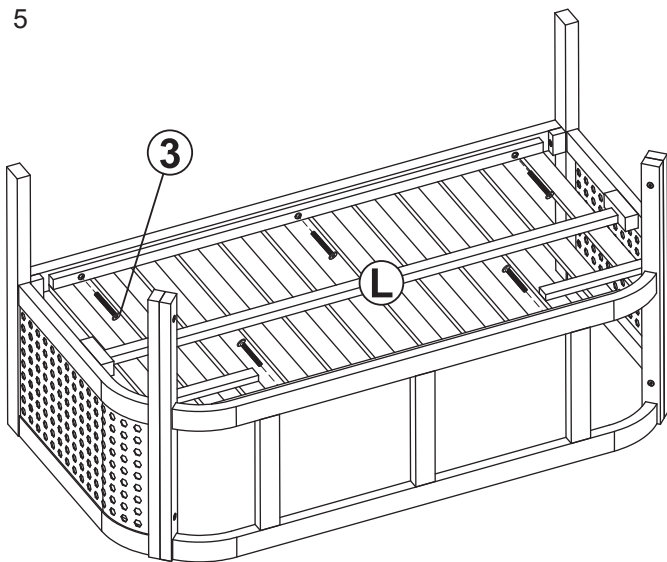
K: 1
4: 4



Loosely fasten Loveseat Back (K) to the arm panels by hand-tightening four JCBC M6x30mm Bolts (4).

STEP 7

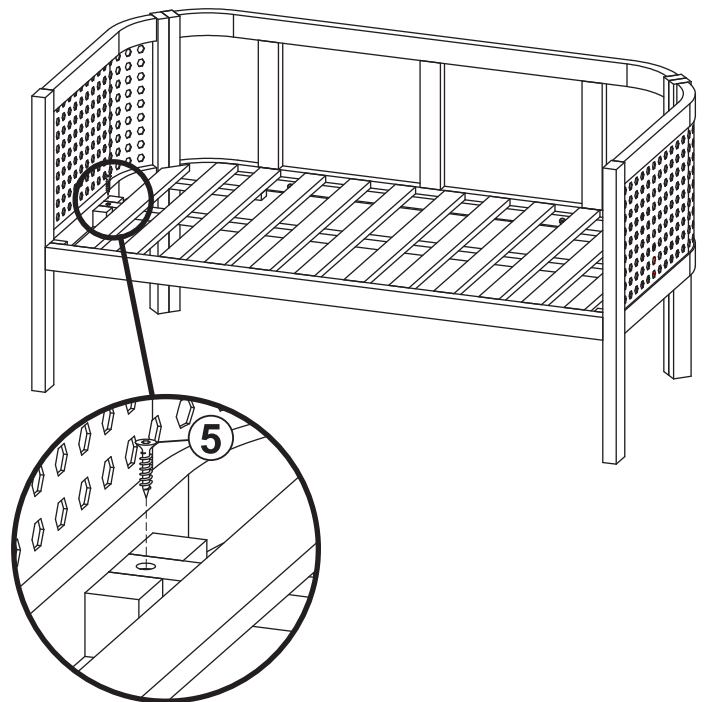
L: 1
3: 5



Fasten the underside of Loveseat Seat (L) to the loveseat frame using five JCBC M6x40mm Bolts (3).
Finish tightening all bolts.

STEP 8

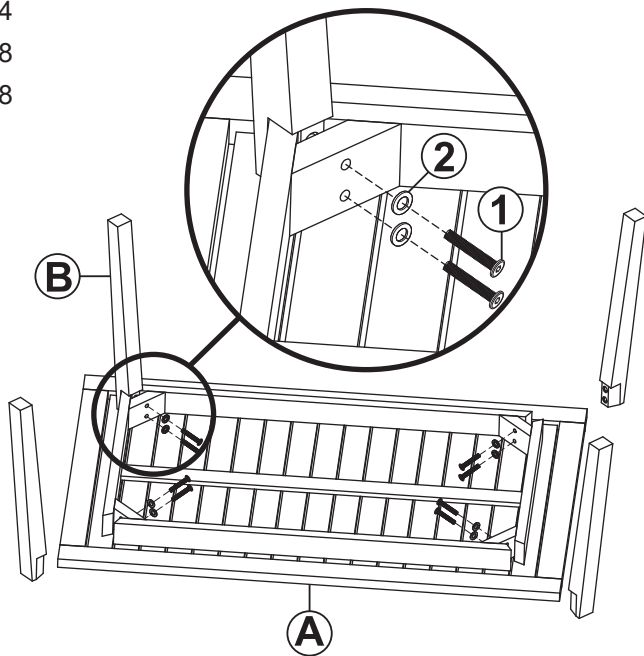
5: 2



Fasten the top of the seat to the frame using two M6x30mm Screws (5), as shown.

STEP 9

A: 1
B: 4
1: 8
2: 8

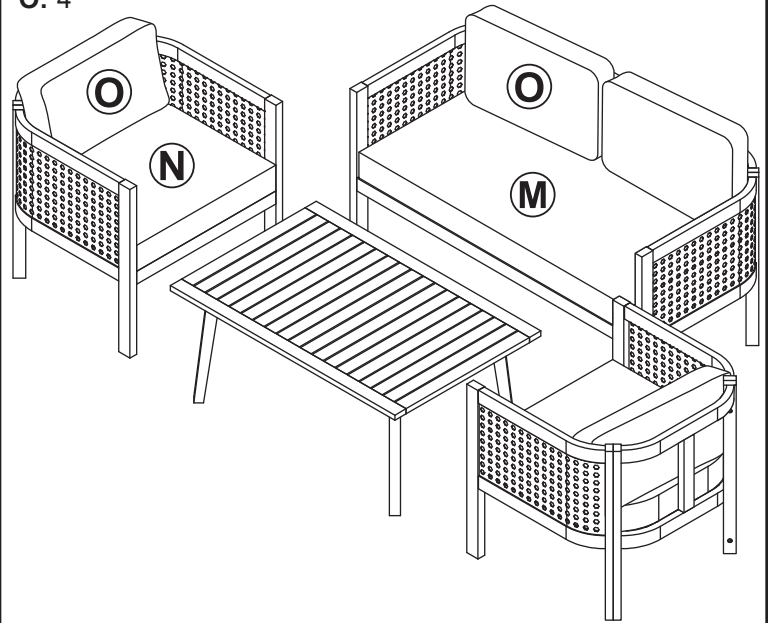


Securely fasten Table Leg (B) to Table Top (A) using two JCBC M8x45mm Bolts (1) and Washers (2).

Repeat until all legs have been installed.

STEP 10

M: 1
N: 2
O: 4



Place one Chair Cushion (N) and one Back Cushion (O) onto each chair.

Place one Loveseat Cushion (M) and two Back Cushions (O) onto the loveseat.

Care & Maintenance

SAFE USE: Use on a flat, level surface. Do not exceed the weight capacity. Do not stand or climb on the unit.

EXPOSURE: Over time, sunlight and weather elements will cause the wood to oxidize, turning it to a silvery gray color. Additionally, long-term exposure to sun, rain, and high humidity may cause wood swelling. Stress caused from swelling can lead to splitting or cracking, cause hardware to loosen, and glued joints to fail. Maintenance is required to keep acacia furniture in tip-top condition.

INSPECT: Periodically check assembly points and tighten fittings as necessary.

CLEANING: Identify the direction of the woodgrain. Following the direction of the woodgrain, wipe surfaces with a soft, dry cloth. Do not use harsh chemicals, abrasive materials, or a pressure washer to clean the unit.

CARE & STORAGE: Protect this item from inclement weather, especially ice and snow. Move to a dry indoor location when not in use. Covering while in storage is recommended to help prevent dust build-up.

MAINTENANCE: If left untreated, the wood may weather. To maintain the appearance, apply a suitable penetrating wood oil (not included) at least once per year or when the wood looks particularly dry.

Before applying a suitable wood oil, clean the unit and bring it into a warm, dry, indoor location. Allow the furniture to dry thoroughly before applying oil; drying may take several days. Only apply oil to wooden surfaces. Apply oil as directed by the wood oil manufacturer.

WARNING: THE ONE-YEAR WARRANTY DOES NOT COVER DAMAGES OR DEFECTS CAUSED BY THE APPLICATION OF CHEMICAL TREATMENTS, PROTECTIVE COATINGS, OR CLEANING PRODUCTS.

SAFETY STATEMENTS & WARNINGS

- Do not exceed the weight capacity.
- Do not stand on the chair or loveseat.
- Do not sit or stand on the table.
- Inspect hardware often and tighten as necessary.
- Do not put hot items on or near furniture.
- Do not use this item in the proximity of open flame or flammable/combustible chemicals.
- Keep this unit a safe distance from heat sources such as fire pits, patio heaters, and grills.
- Do not use harsh chemicals or abrasive materials to clean this unit.
- This product is for residential use only; institutional or commercial use will void this warranty.

Any modification to the product or failure to follow recommended care will void the product warranty.

If you experience issues with assembly or the product was damaged during shipping, please contact our customer service team through one of the methods mentioned at the top of page 1. Please have the item number and order information ready to expedite response time.

WARNING:

Manufacturer and seller expressly disclaim any and all liability from personal injury, property damage or loss, whether direct or indirect, or incidental, resulting from the incorrect attachment, improper use, inadequate maintenance, or neglect of this product.