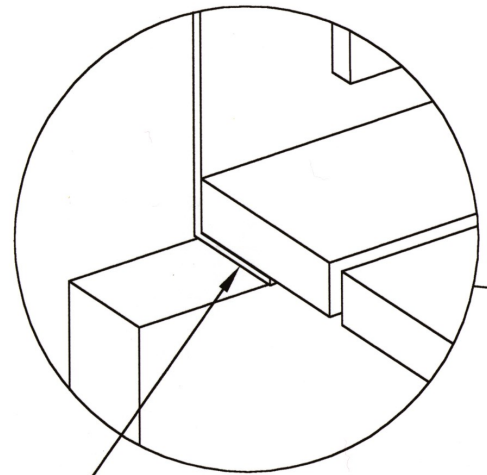


EXTERIOR CLADDING

VAPOR BARRIER

COP-R-SHIELD FLASHING



RUN FLASHING OVER TOP OF DECK JOIST

PRESSURE TREATED WOOD (ACQ) DECKING COMPONENTS

DECK FLASHING DETAIL

