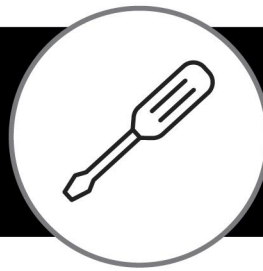


Assembly Guide



Bush
FURNITURE

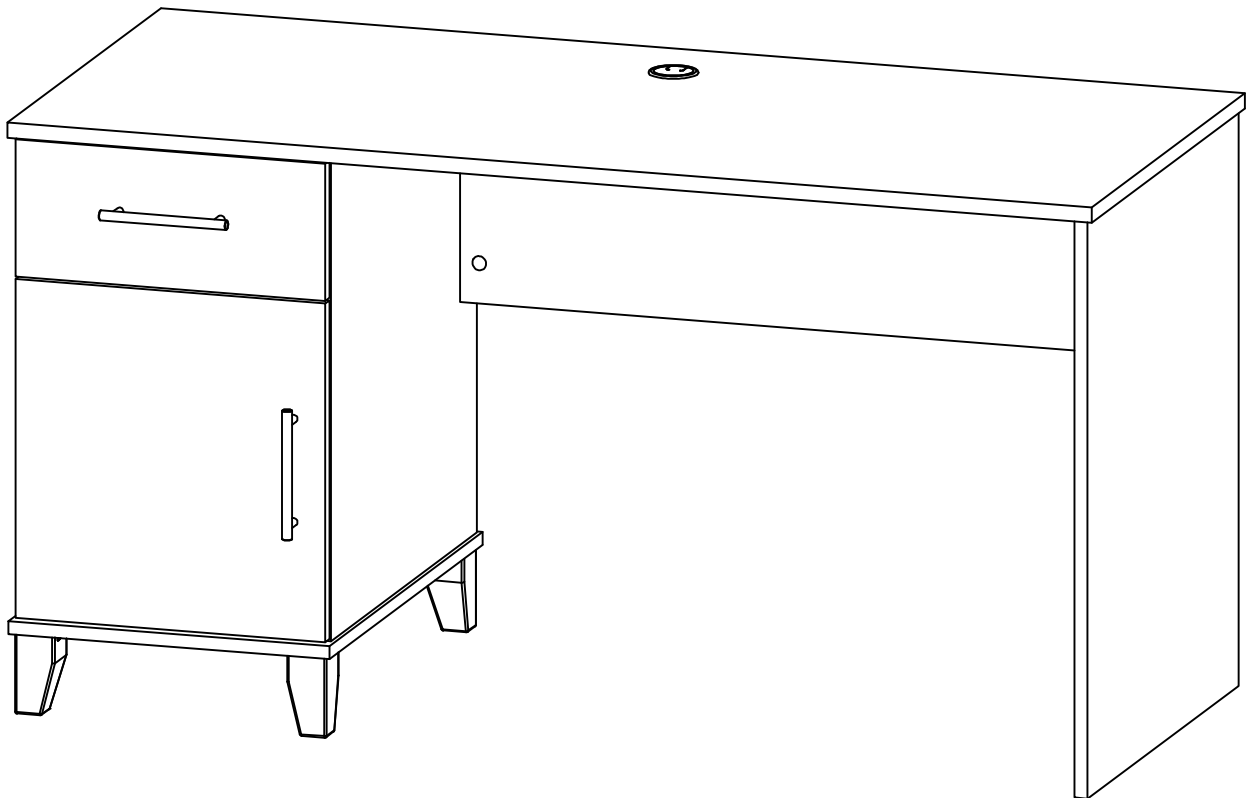


If you're having any difficulty during assembly of this product, don't hesitate to call us at **1-800-950-4782.**

Our customer service experts are trained to provide step-by-step instruction and can easily replace any missing or damaged parts.

Representatives are available Monday-Friday from 8:30 a.m. to 7:30 p.m. (ET)

54W SINGLE PED DESK



Lot Code #

Instruction Sheet Number A218209

Keep manual for future reference.

For best results, keep these tips in mind:

- ① We know you want to finish this assembly as quickly as possible, but trust us: you'll have a better experience if you take it one step at a time.
- ② Give yourself some room to work near where you want the fully assembled product.
- ③ If your floor isn't carpeted, assemble this product on the empty carton to avoid scratching.
- ④ Do you have a friend who owes you a favor? Some steps may go a little easier with a second set of hands.

DOs

- ✔ Use a #2 Phillips head screwdriver (or other handheld tools as indicated)
- ✔ Wear safety glasses at all times during assembly
- ✔ Carefully follow the instructions in this guide and complete all steps in order
- ✔ Give us a call if you're having trouble with a particularly tricky step

DON'Ts

- ✘ We know power tools are quick and easy, but you shouldn't use them when assembling this product (unless otherwise specified)
- ✘ Never move your furniture with items inside or resting on the surface
- ✘ Do not attempt to use this product before all steps have been completed

Watch assembly videos right on your phone or computer!



Some steps include QR codes that link to helpful videos. Watch out for the icon below! Simply open up your smartphone camera to scan the code.

(Users of older smartphones may need to install a QR Reader.)

SCAN HERE



FOR VIDEOS

Or visit <https://bushfurniture.com/help-faq/#assembling>



IMPORTANT SAFETY INFORMATION



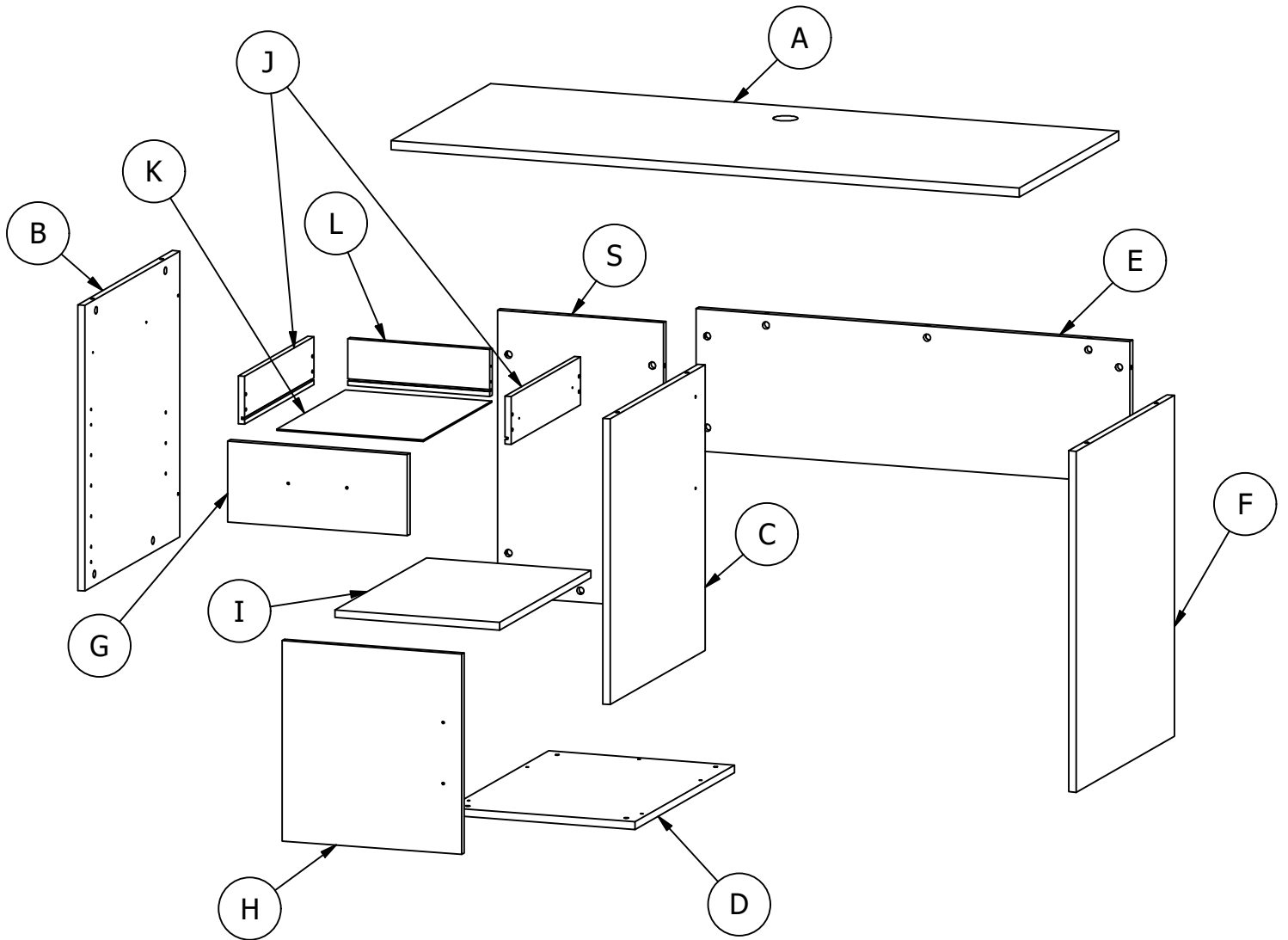
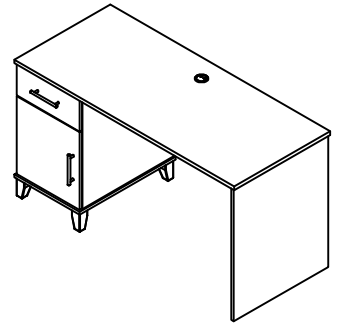
PLEASE READ WARNINGS

Improper use can cause safety hazards, or damage to your furniture and household items.

Warning	Do	Don't	Why it's important
Serious injury may occur.	<ul style="list-style-type: none">Assemble following all instructions using all indicated parts and hardware provided.	<ul style="list-style-type: none">Do not move unit when loaded.Do not load with a television or other heavy equipment.Do not exceed the maximum load limits stated in the instructions.	Improper assembly, use or loading can lead to product instability, tipover, or collapse.

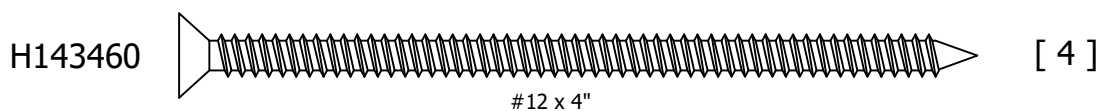
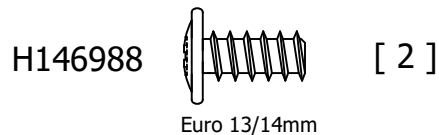
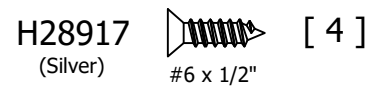
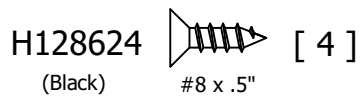
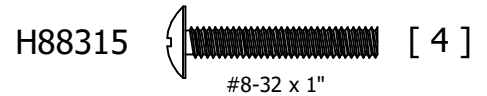
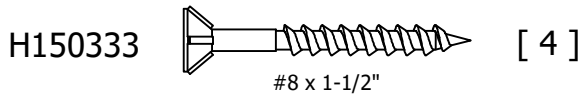
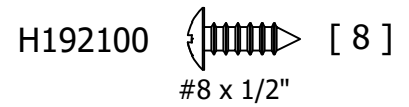
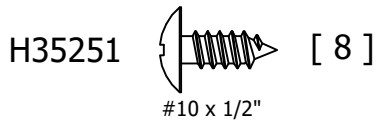
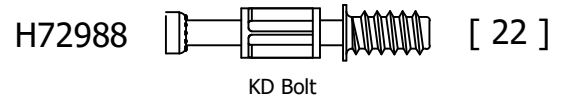
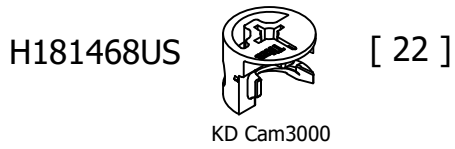
Advertencia	Hacer	No	Por qué es importante
Pueden producirse lesiones graves.	<ul style="list-style-type: none">Realice el montaje siguiendo todas las instrucciones y utilizando todas las piezas indicadas y los herrajes suministrados.	<ul style="list-style-type: none">No mueva la unidad cuando esté cargada.No cargue el mueble con un televisor u otro equipo pesado.No supere los límites máximos de carga indicados en las instrucciones.	El montaje, uso o carga inadecuados pueden provocar inestabilidad, vuelco o colapso del producto.

Avertissement	À faire	À ne pas faire	Pourquoi c'est important
Peut entraîner des blessures graves.	<ul style="list-style-type: none">Assembler en suivant toutes les instructions et en utilisant toutes les pièces et la quincaillerie incluses.	<ul style="list-style-type: none">Ne pas déplacer le meuble lorsqu'il est chargé.Ne pas charger le meuble avec un téléviseur ou tout autre équipement lourd.Ne pas dépasser les limites de poids maximales indiquées dans les instructions.	Un assemblage, une utilisation ou un chargement incorrects peuvent entraîner l'instabilité, le basculement ou l'effondrement du produit.



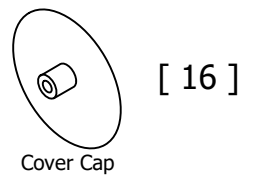
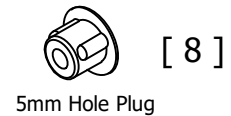
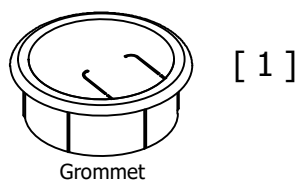
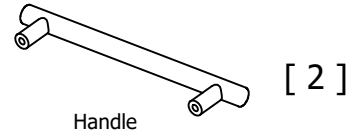
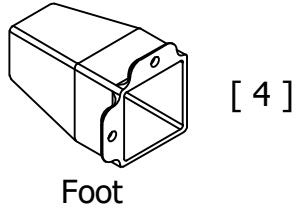
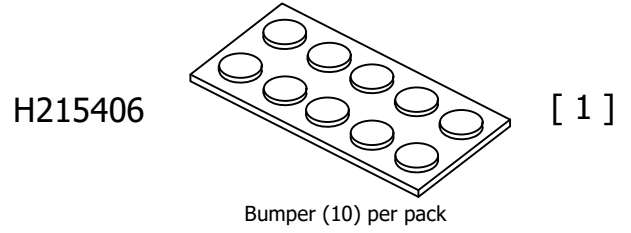
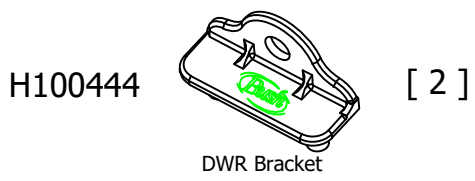
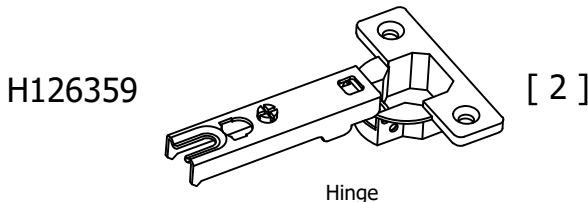
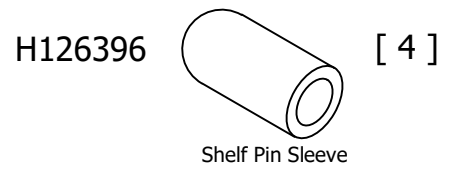
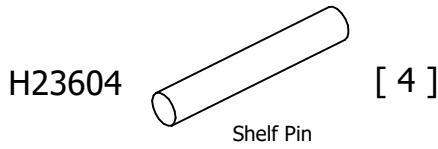
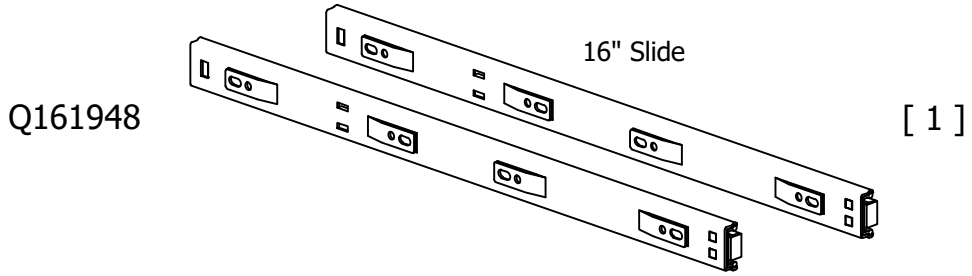
Have an assembly question or need a replacement part? Just call
1-800-950-4782, we are here to help.

Fasteners are shown actual size.



Have an assembly question or need a replacement part? Just call
1-800-950-4782, we are here to help.

Hardware not to scale.



Have an assembly question or need a replacement part? Just call **1-800-950-4782**, we are here to help.

STEP 1

Prepare Panel

A218209

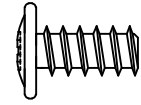
H100444



DWR Bracket

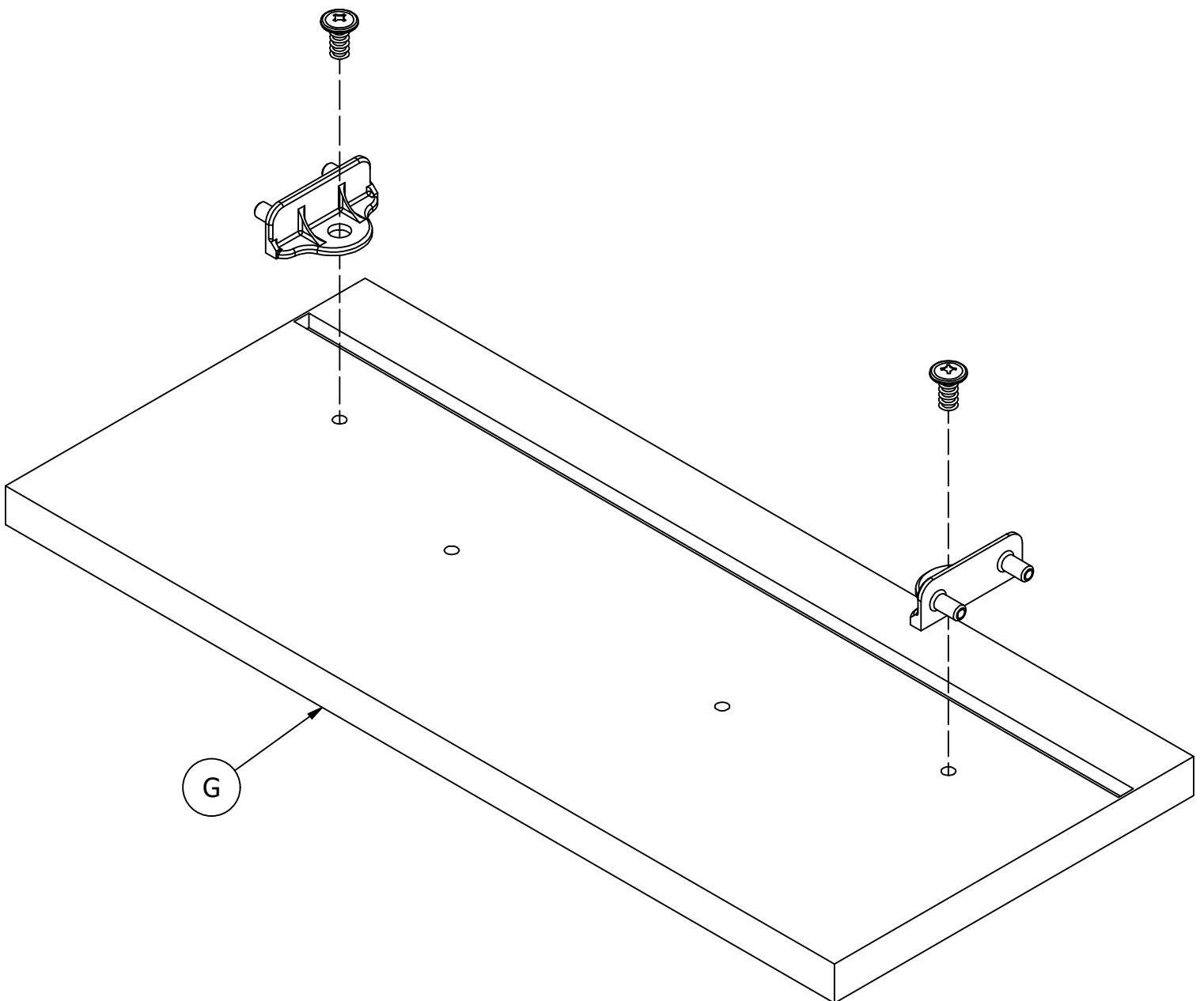
[2]

H146988



Euro 13/14mm

[2]



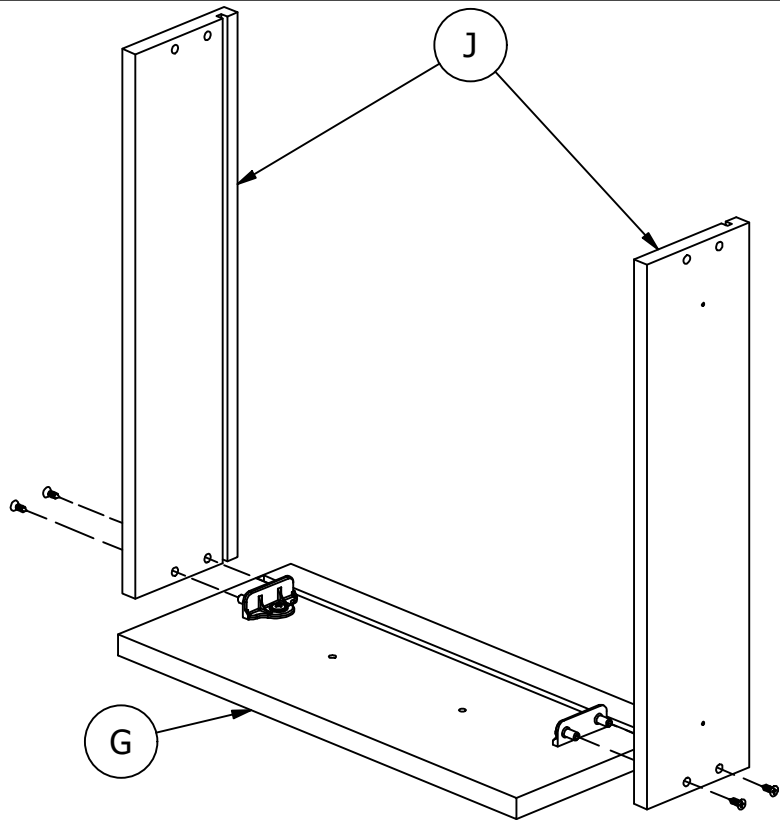
Have an assembly question or need a replacement part? Just call
1-800-950-4782, we are here to help.

STEP 2

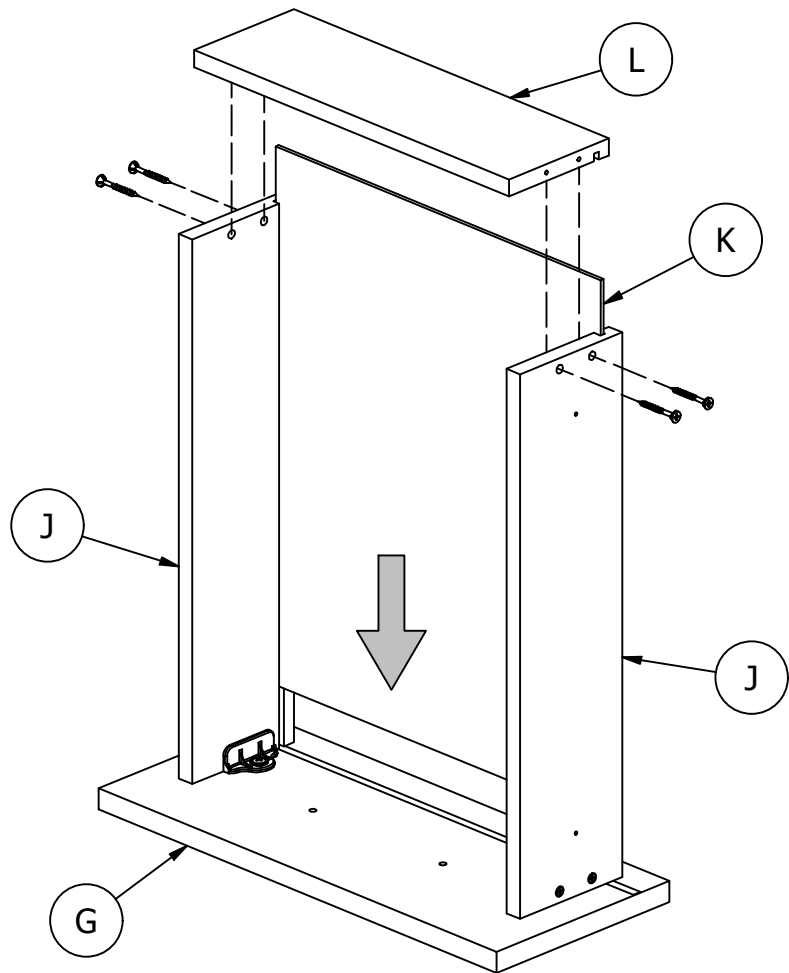
Assemble Drawer

A218209

H128624 [4]
(Black) #8 x .5"



H150333 [4]
#8 x 1-1/2"



Have an assembly question or need a replacement part? Just call
1-800-950-4782, we are here to help.

Scan QR Code to Watch Video on:

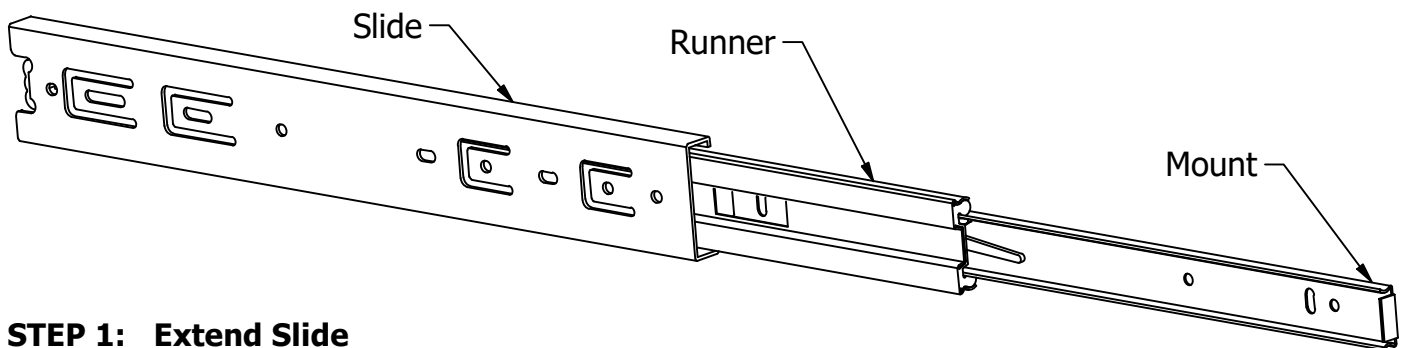


How to Separate and Install Drawer Slides

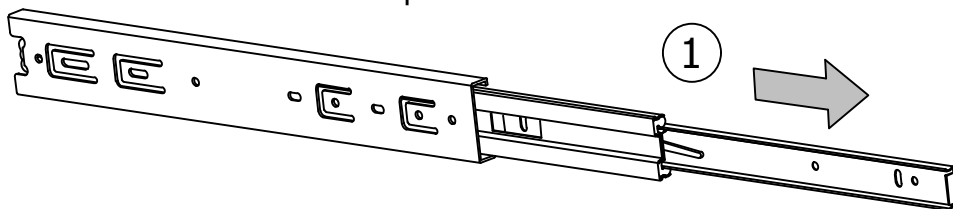
**Slides Must Be Separated Before Assembly.
After Separated, Set Aside Until Needed for Assembly.**

Las diapositivas deben separarse antes del montaje.
Después de la separación, déjelo a un lado hasta que sea necesario.

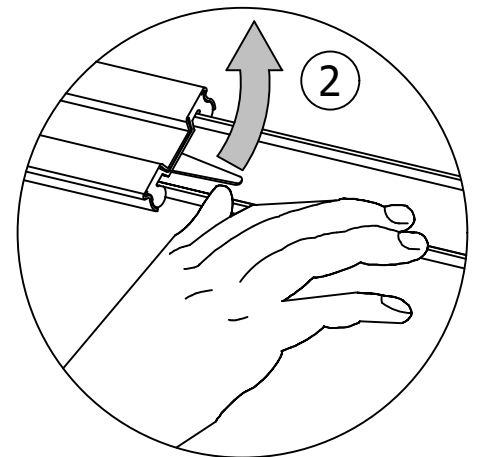
Les glissières doivent être séparées avant l'assemblage.
Après la séparation, mettez de côté jusqu'au moment de l'assemblage.



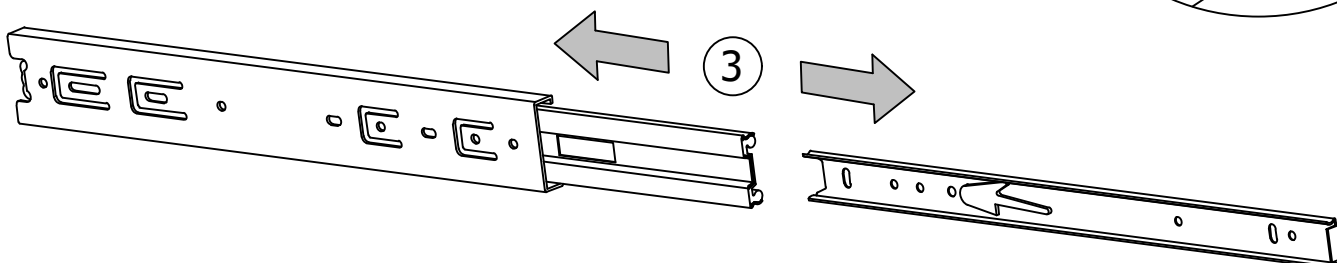
STEP 1: Extend Slide
Extender la diapositiva
Extendre la diapositive



STEP 2: Push Lever UP
Empujar hacia arriba
Lever le levier



STEP 3: Remove Runner
Quitar el corredor
Enlever le coureur



Have an assembly question or need a replacement part? Just call **1-800-950-4782**, we are here to help.

STEP 4

Attach Hardware

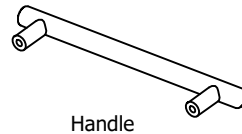
A218209

H192100 [4]
#8 x 1/2"



Orientation
Orientación
L'orientation

Q161948

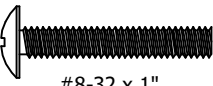


Handle

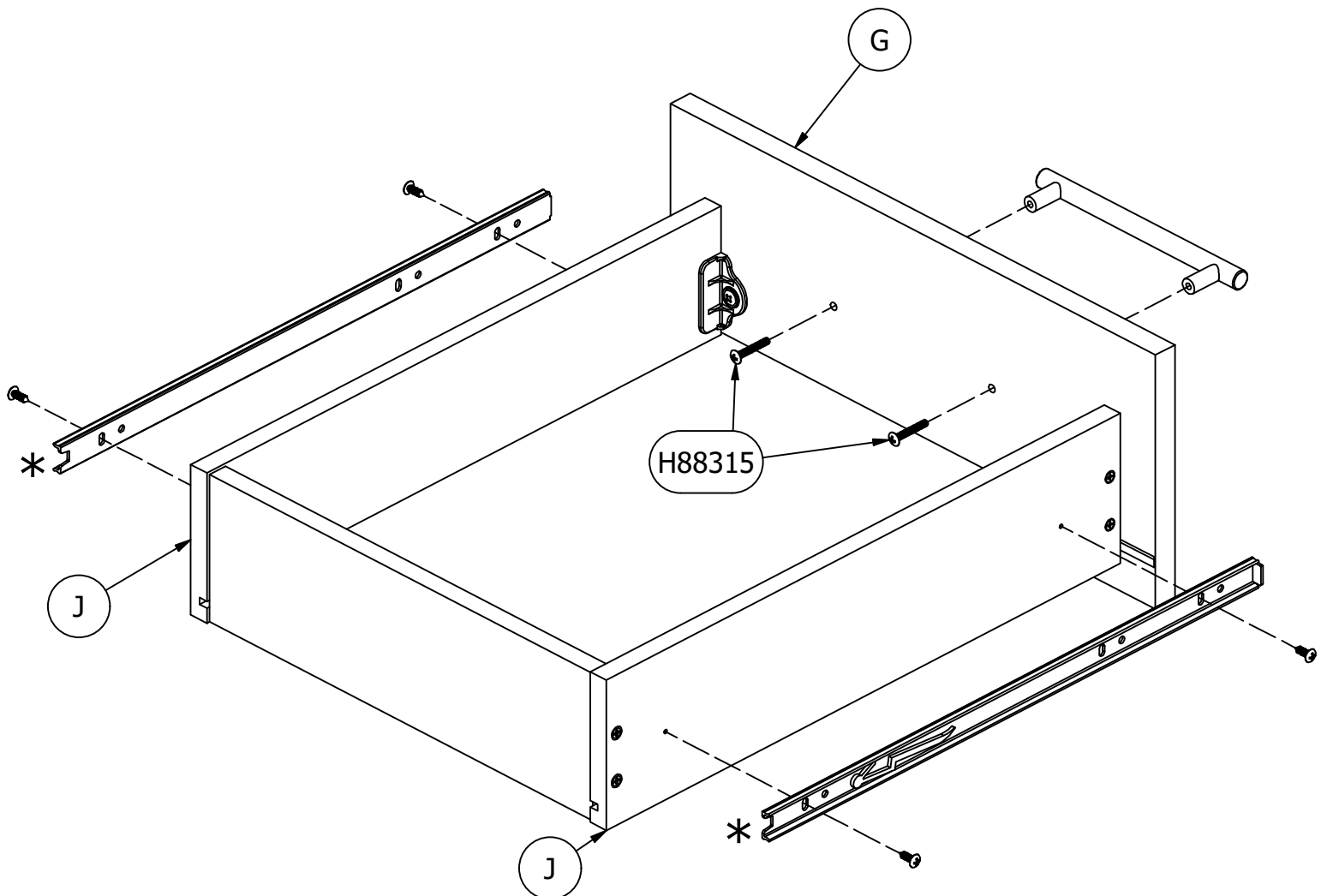
16" Slide Runner

[2]

H88315 [2]
#8-32 x 1"

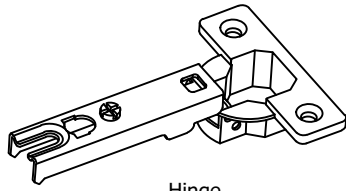


[1]



Have an assembly question or need a replacement part? Just call
1-800-950-4782, we are here to help.

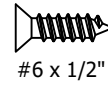
H126359



Hinge

[2]

H28917
(Silver)



#6 x 1/2"

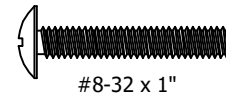
[4]



Handle

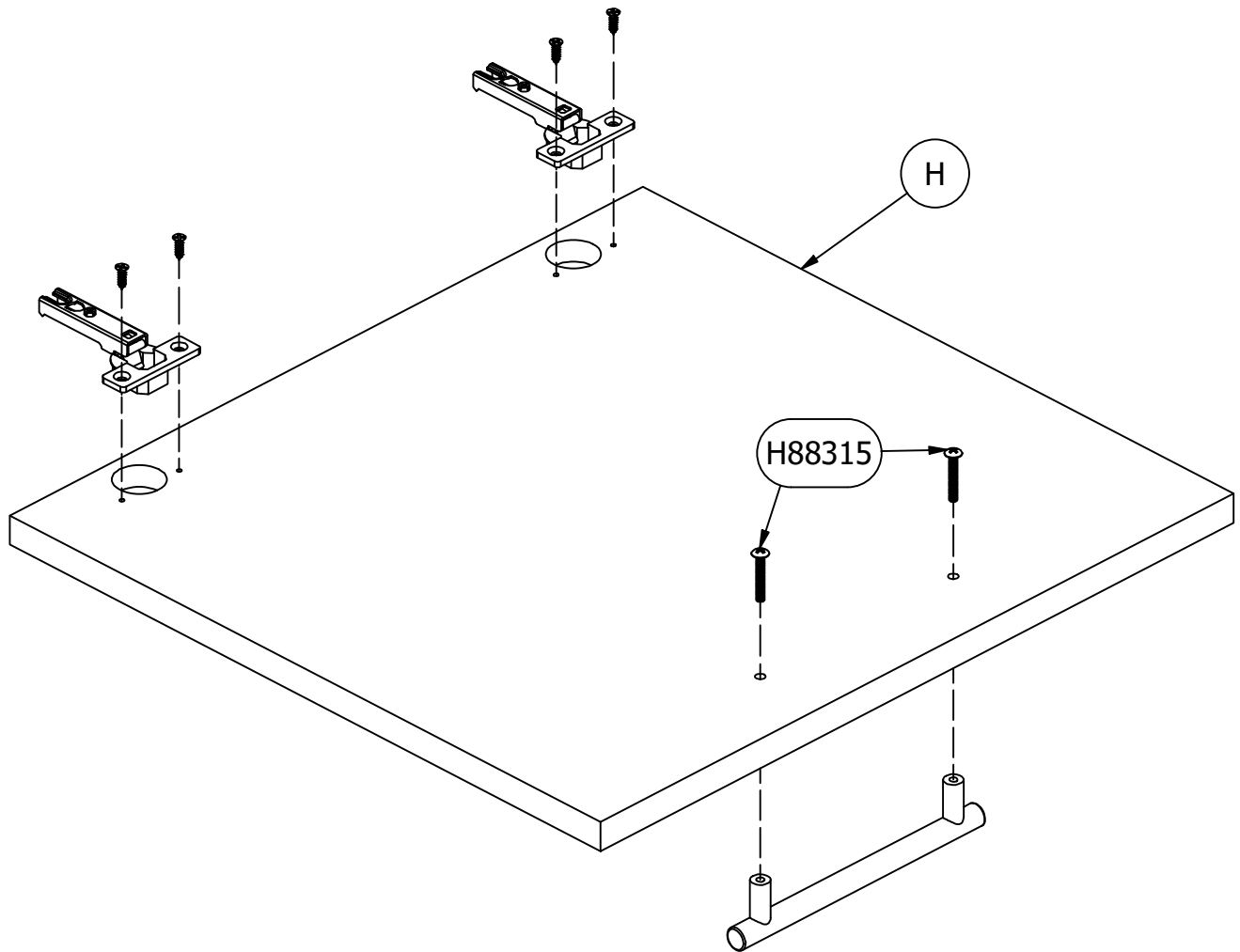
[1]

H88315



#8-32 x 1"

[2]



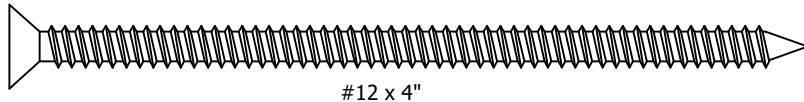
Have an assembly question or need a replacement part? Just call
1-800-950-4782, we are here to help.

STEP 6

Prepare Panel

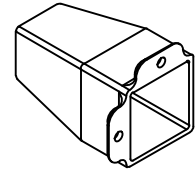
A218209

H143460



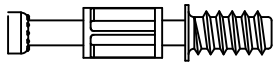
[4]

#12 x 4"



[4]

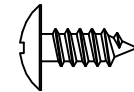
H72988



[5]

KD Bolt

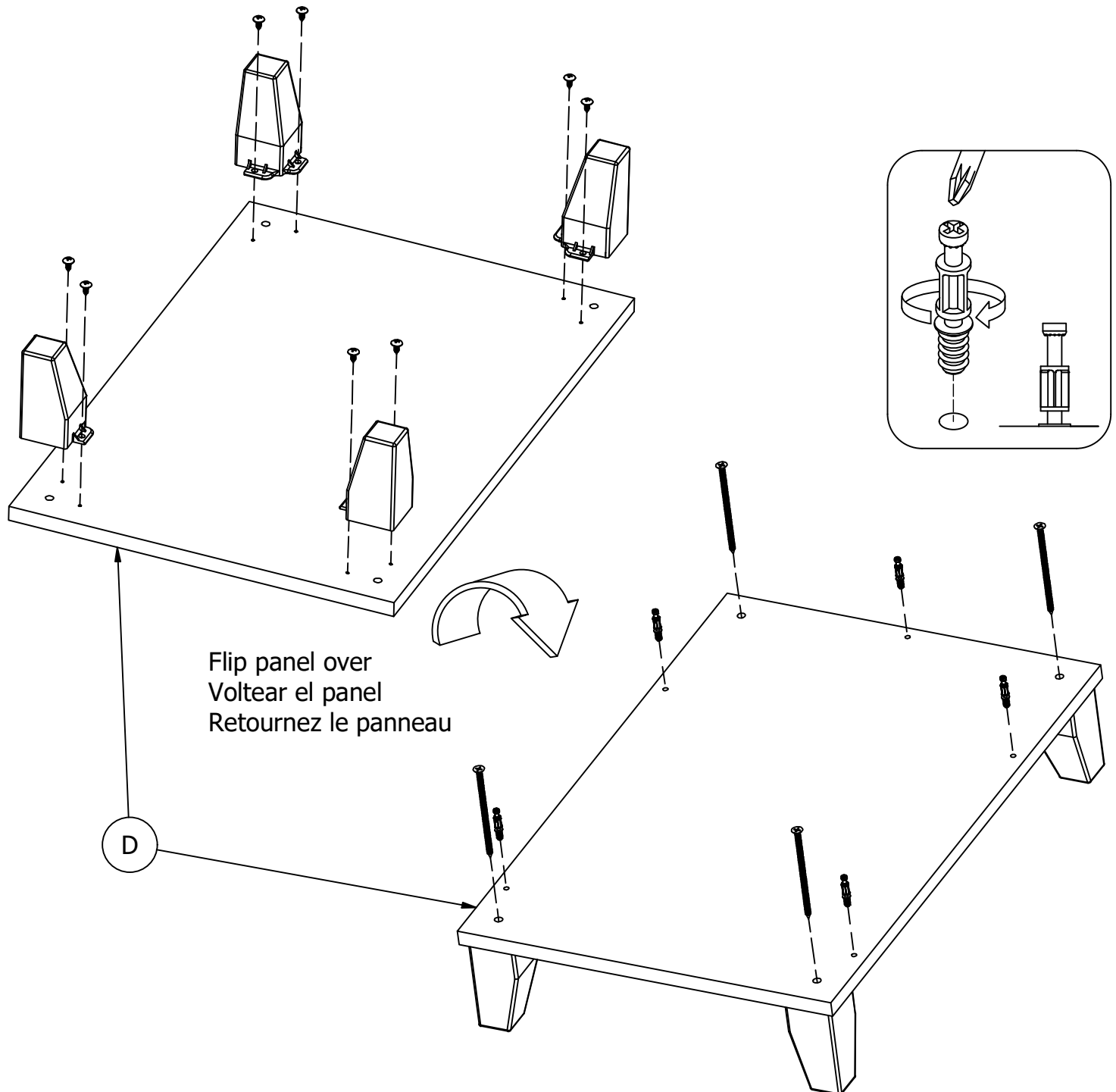
H35251



[8]

#10 x 1/2"

Foot



Have an assembly question or need a replacement part? Just call
1-800-950-4782, we are here to help.

STEP 7

Prepare Panels

A218209

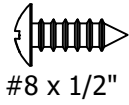
Scan QR Code to Watch Video on:



How to Separate and Install Drawer Slides

Orientation
Orientación
L'orientation

H192100



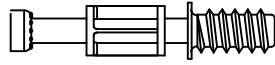
[4]

Q161948

16" Slide Mount

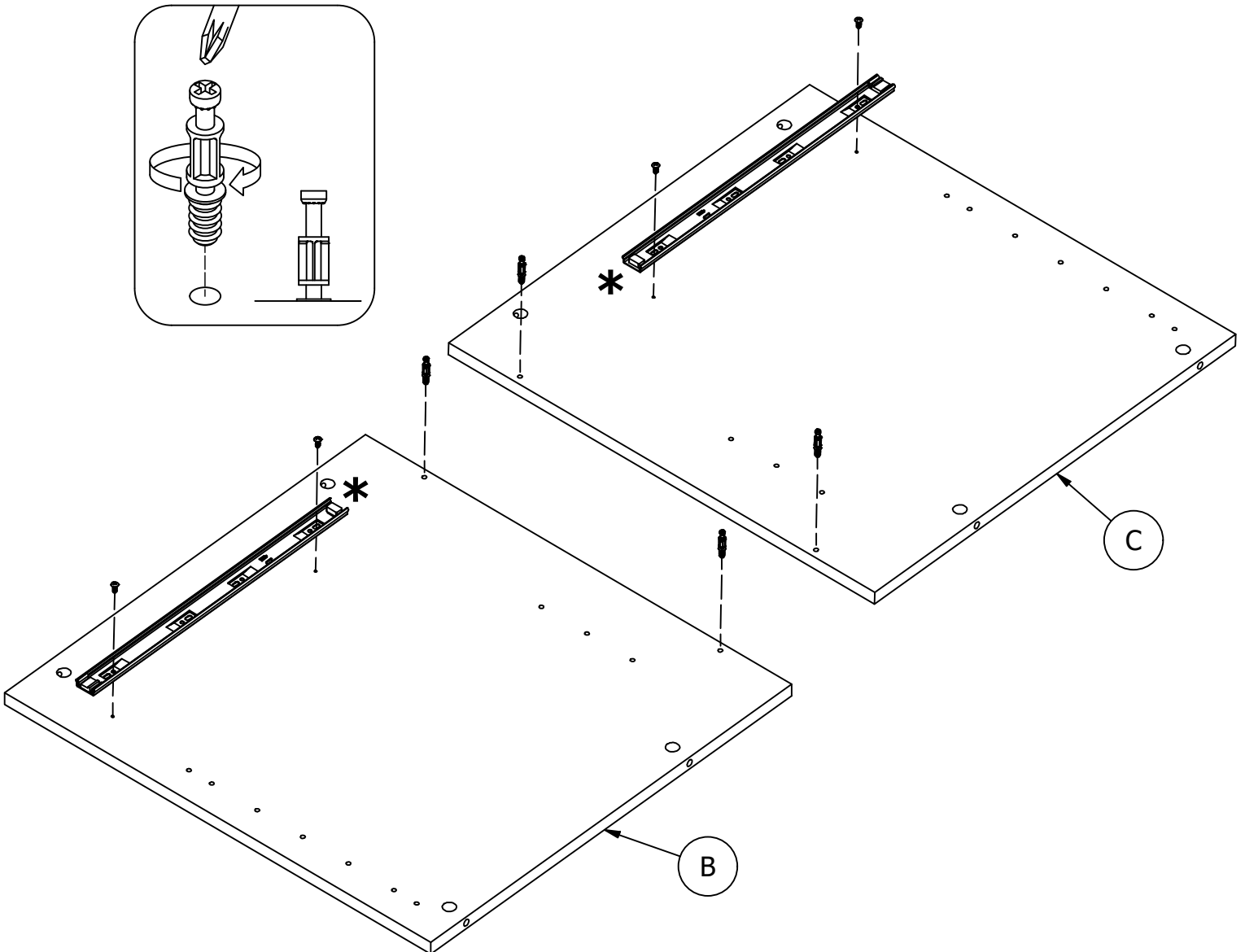
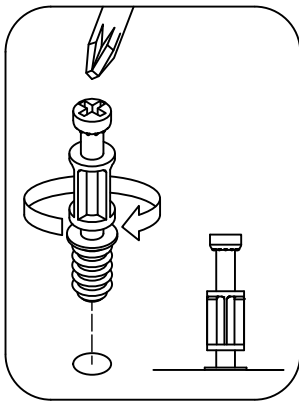
[2]

H72988



[4]

KD Bolt



Have an assembly question or need a replacement part? Just call **1-800-950-4782**, we are here to help.

STEP 8

Attach Panels

A218209

Scan QR Code to Watch Video on:



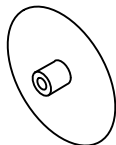
How to Tighten KD Cams

H181468US



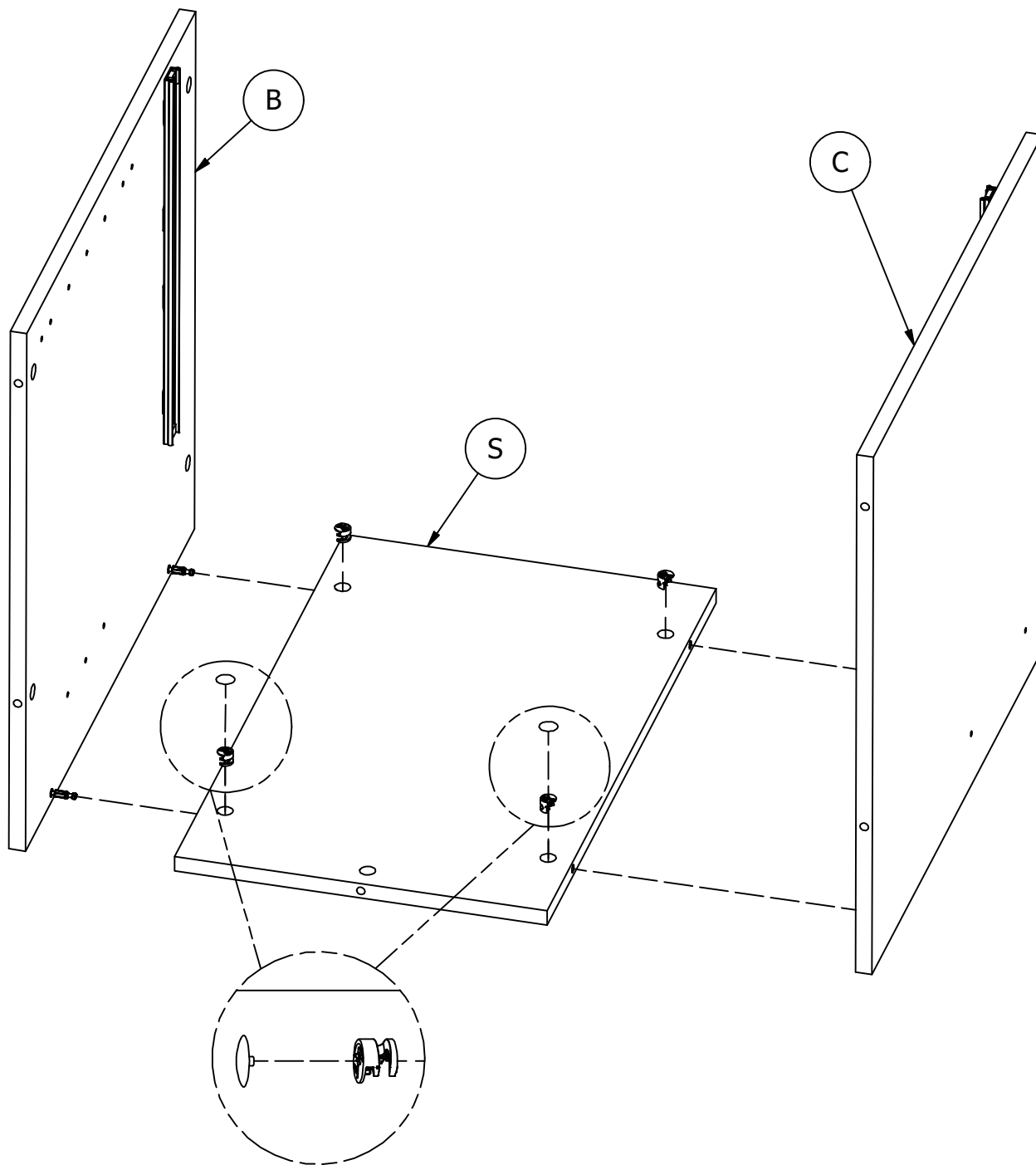
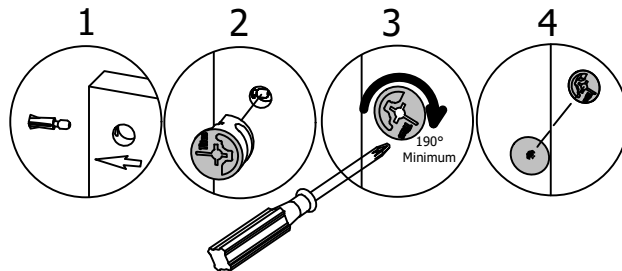
[4]

KD Cam3000



[2]

Cover Cap



Have an assembly question or need a replacement part? Just call **1-800-950-4782**, we are here to help.

STEP 9

Attach Panels

A218209

Scan QR Code to Watch Video on:



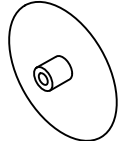
How to Tighten KD Cams

H181468US



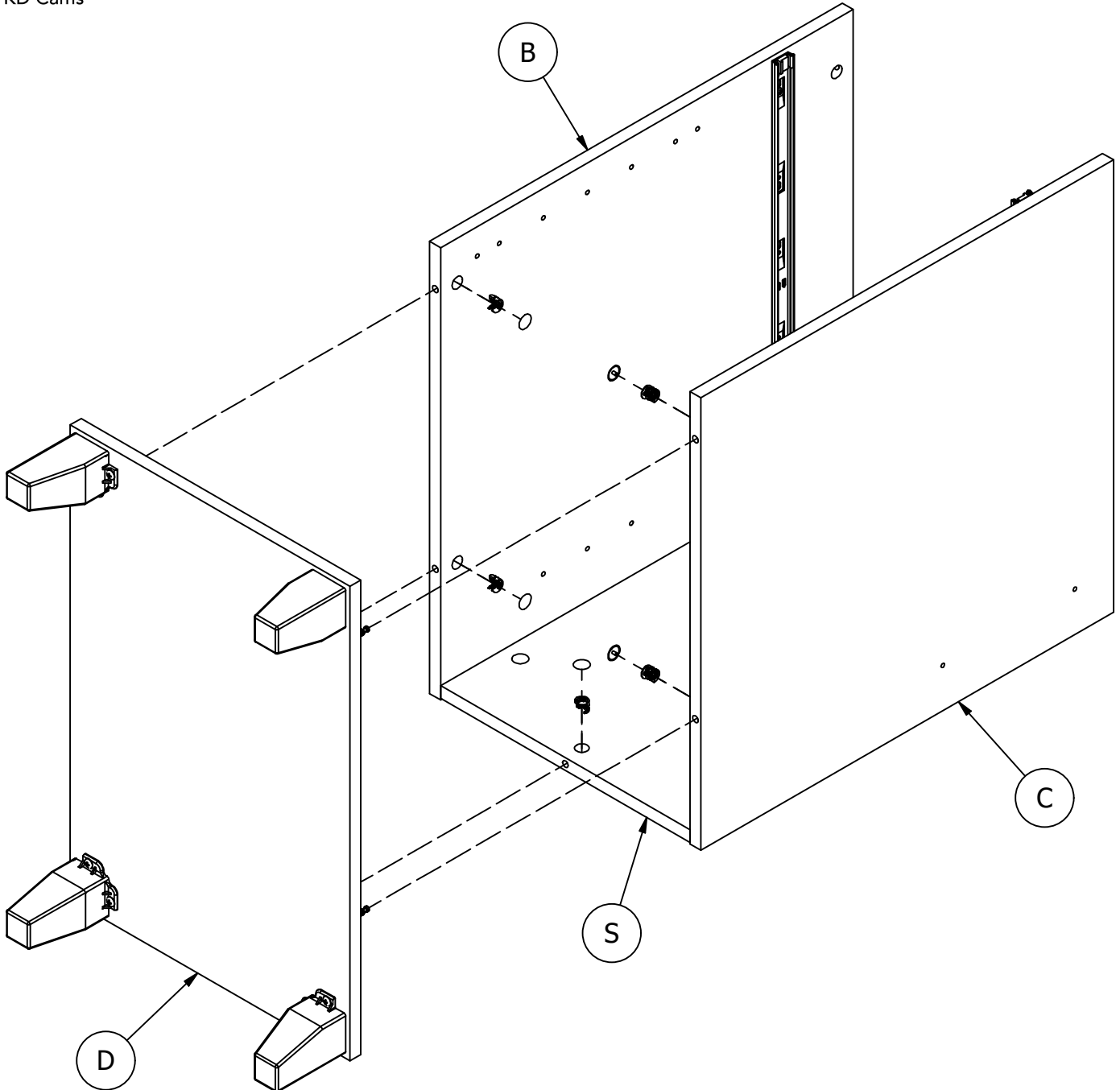
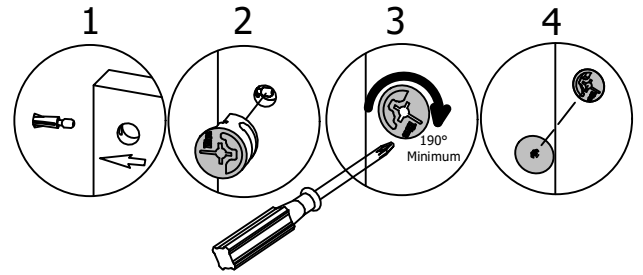
KD Cam3000

[5]



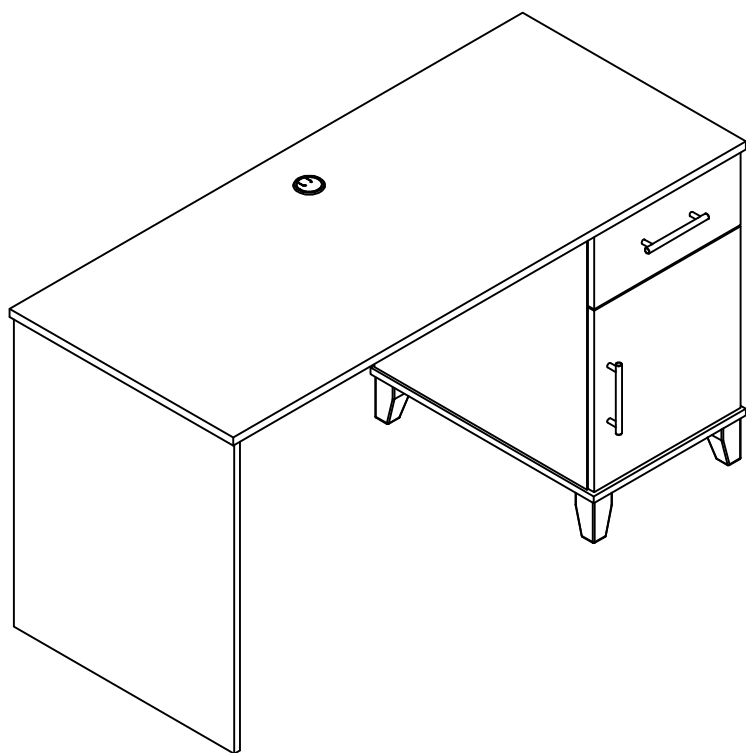
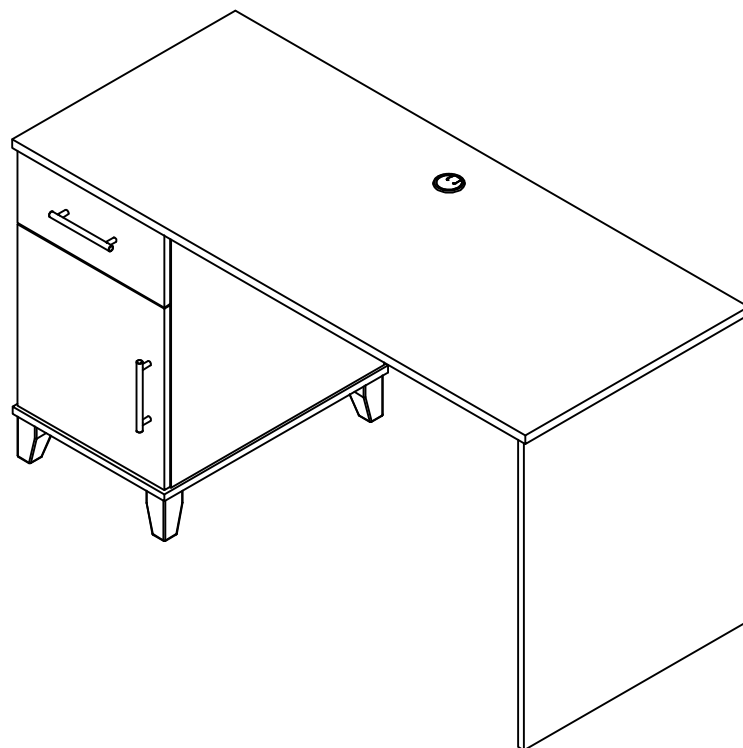
Cover Cap

[5]

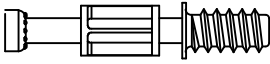


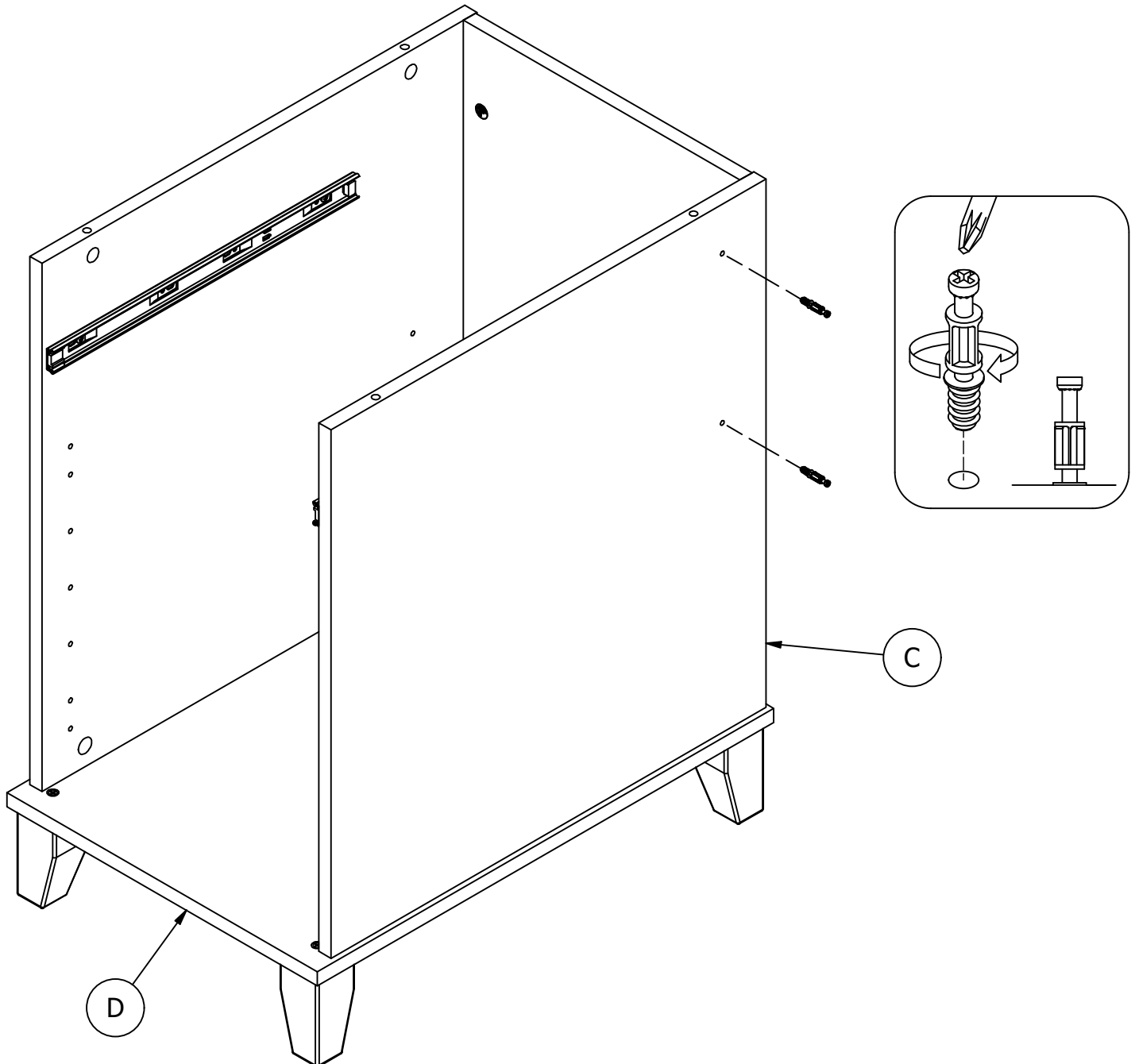
Have an assembly question or need a replacement part? Just call **1-800-950-4782**, we are here to help.

Go to Step 11.
Proceda al paso 11.
Allez à l'étape 11.



Go to Step 22.
Proceda al paso 22.
Allez à l'étape 22.

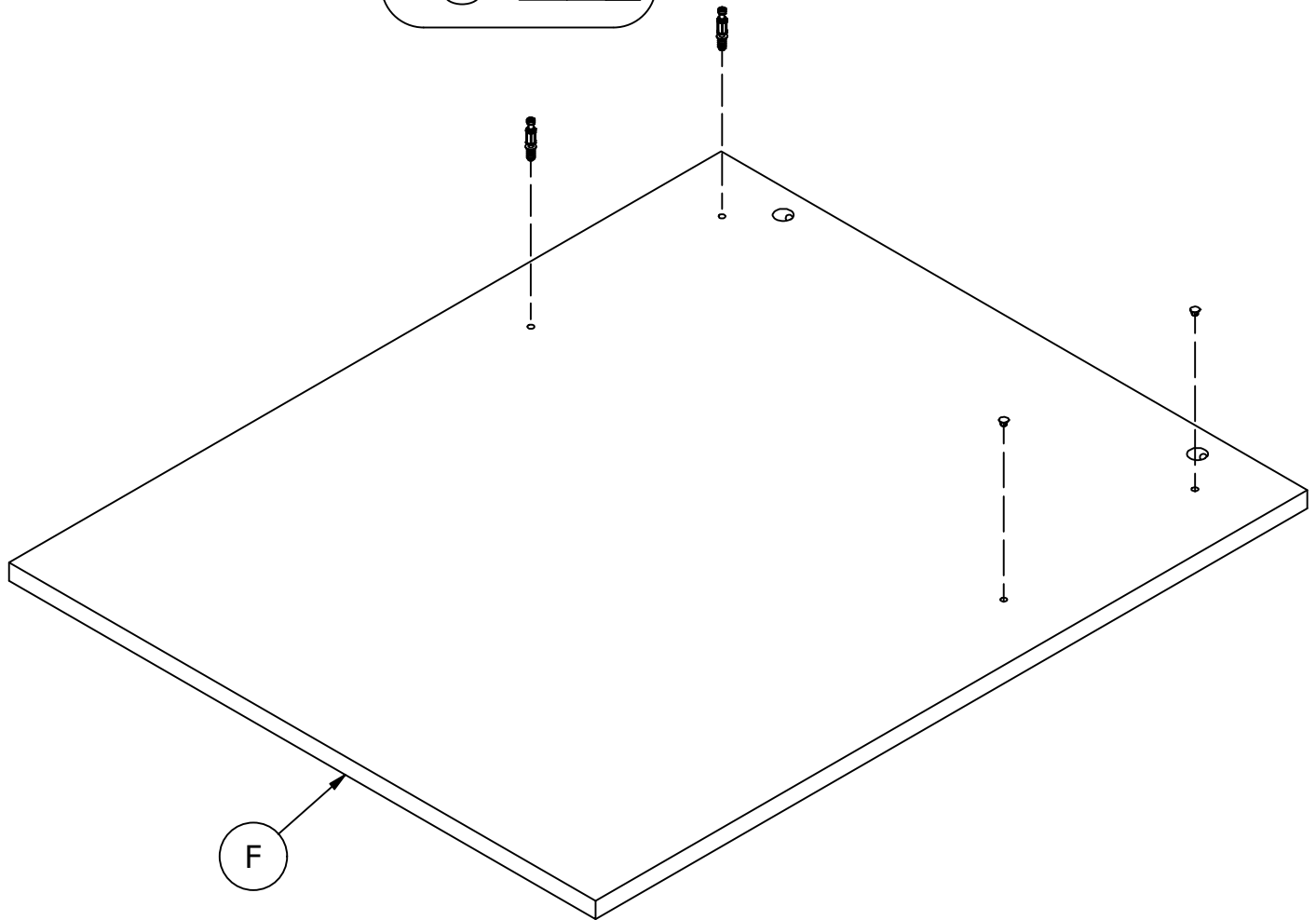
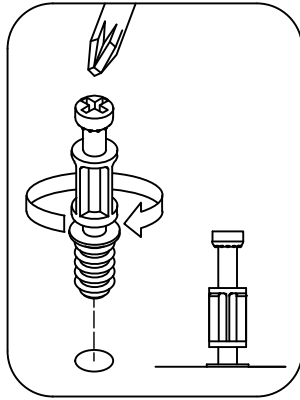
H72988  [2]
KD Bolt



Have an assembly question or need a replacement part? Just call
1-800-950-4782, we are here to help.

H72988 [2]
KD Bolt

[2]
5mm Hole Plug

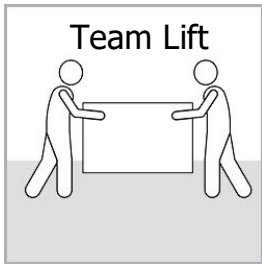


Have an assembly question or need a replacement part? Just call **1-800-950-4782**, we are here to help.

Scan QR Code to Watch Video on:



How to Tighten KD Cams

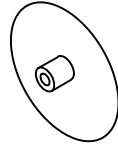


H181468US



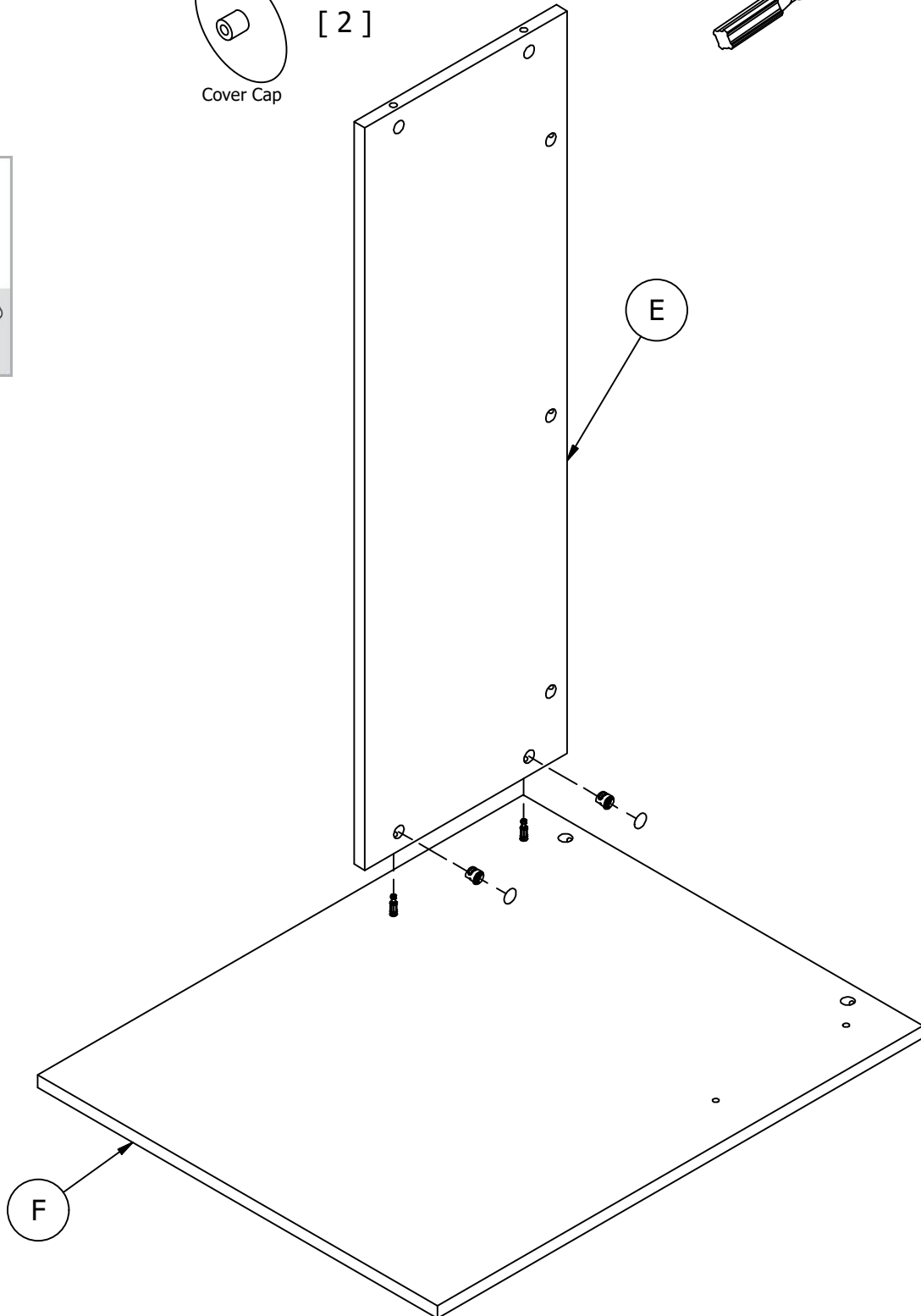
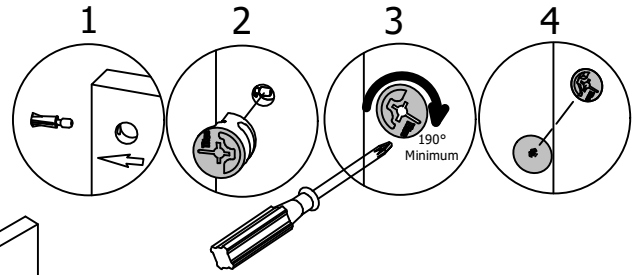
KD Cam3000

[2]



Cover Cap

[2]



Have an assembly question or need a replacement part? Just call **1-800-950-4782**, we are here to help.

STEP 14

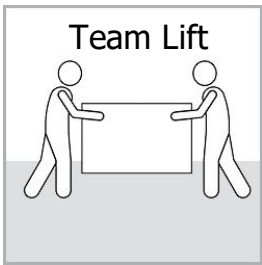
Attach Panels

A218209

Scan QR Code to Watch Video on:



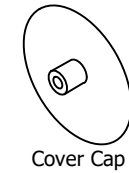
How to Tighten KD Cams



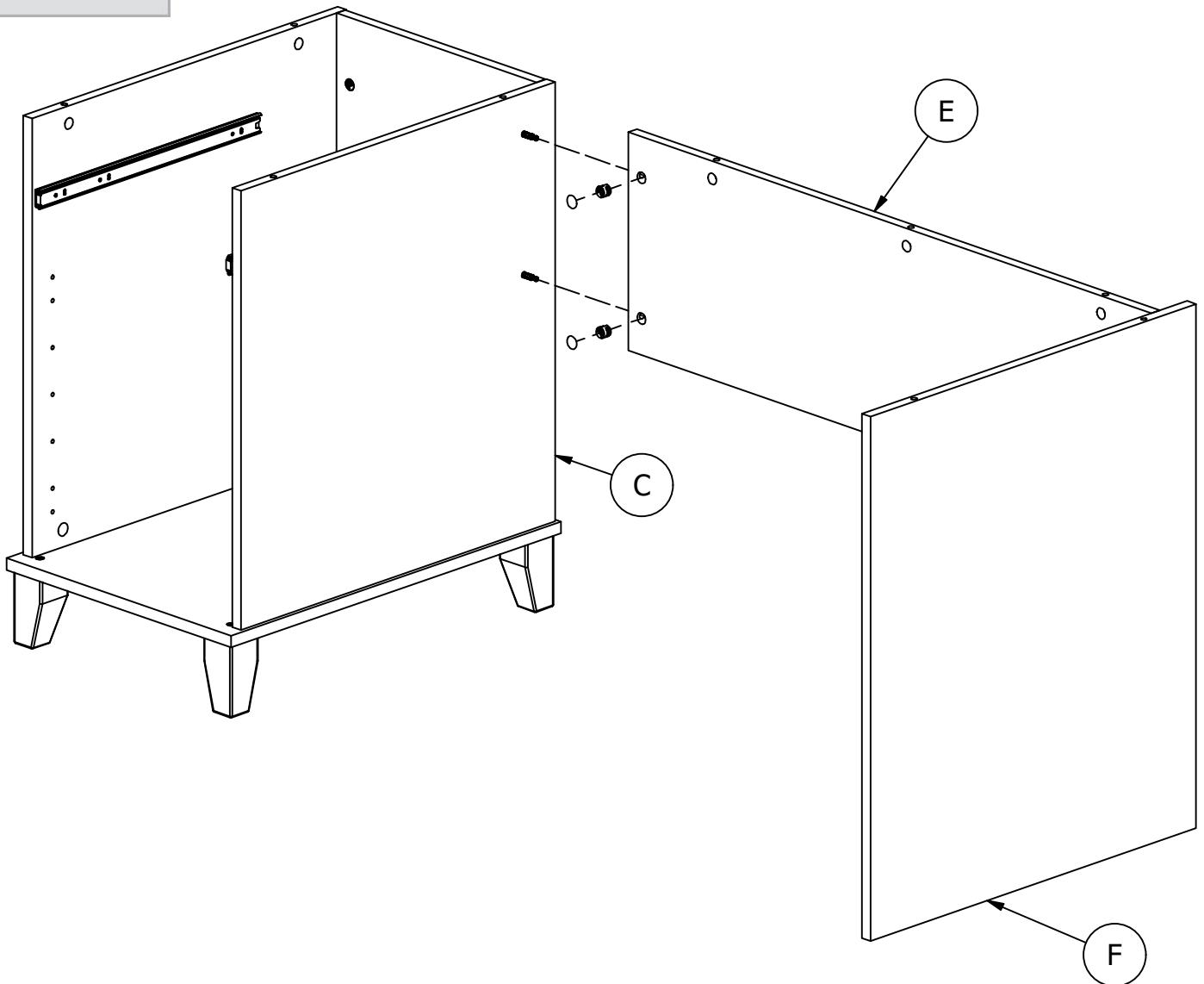
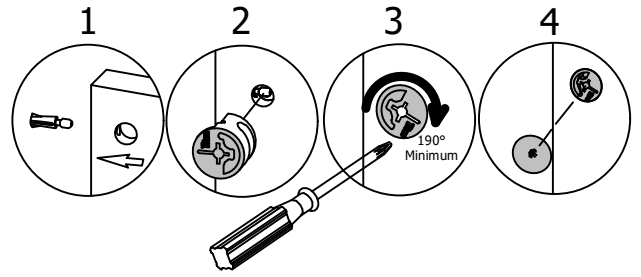
H181468US



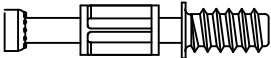
[2]

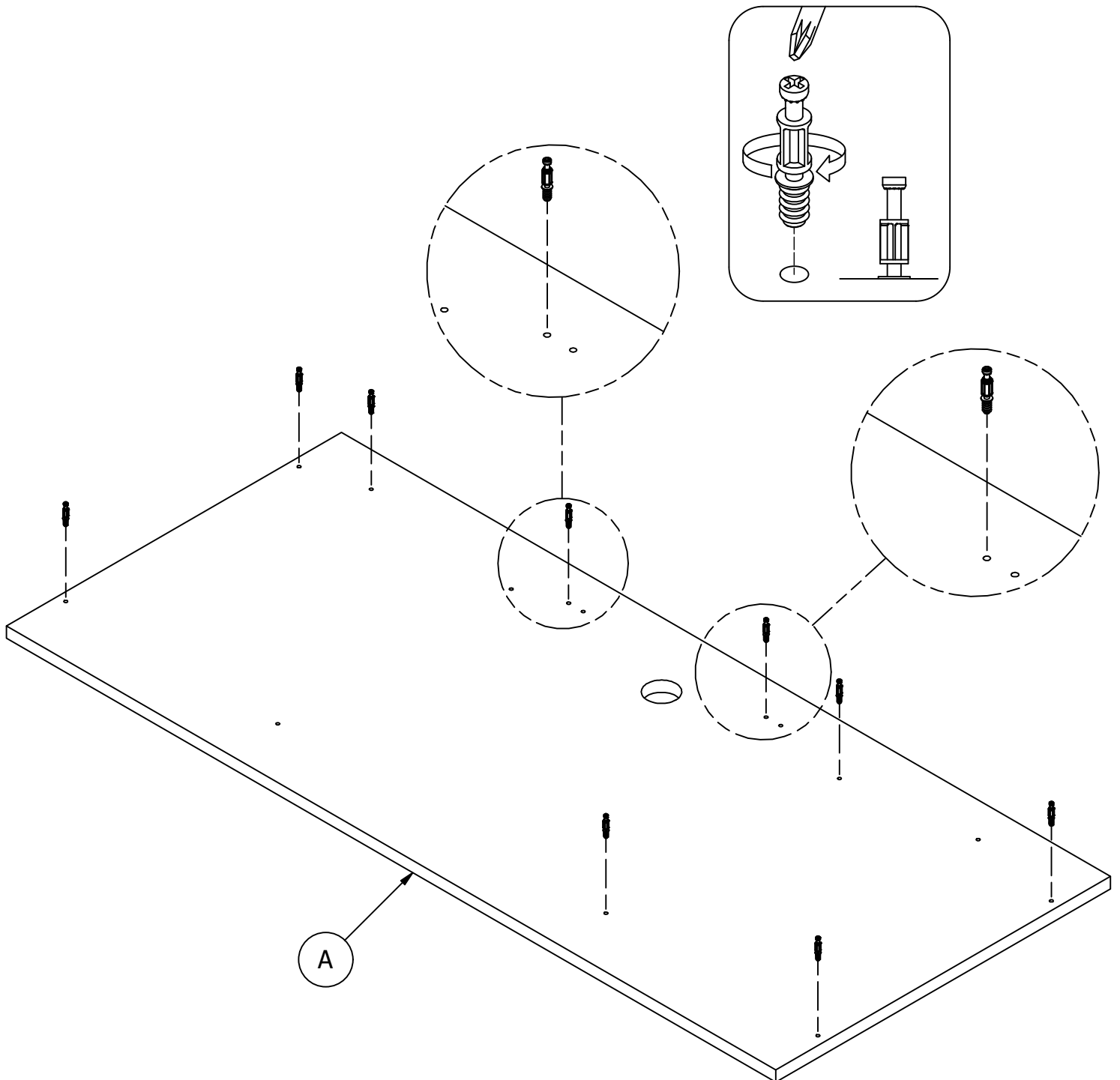


[2]



Have an assembly question or need a replacement part? Just call **1-800-950-4782**, we are here to help.

H72988  [9]
KD Bolt



Have an assembly question or need a replacement part? Just call
1-800-950-4782, we are here to help.

STEP 16

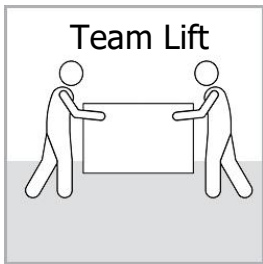
Attach Panels

A218209

Scan QR Code to Watch Video on:



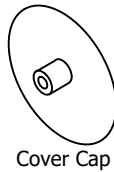
How to Tighten KD Cams



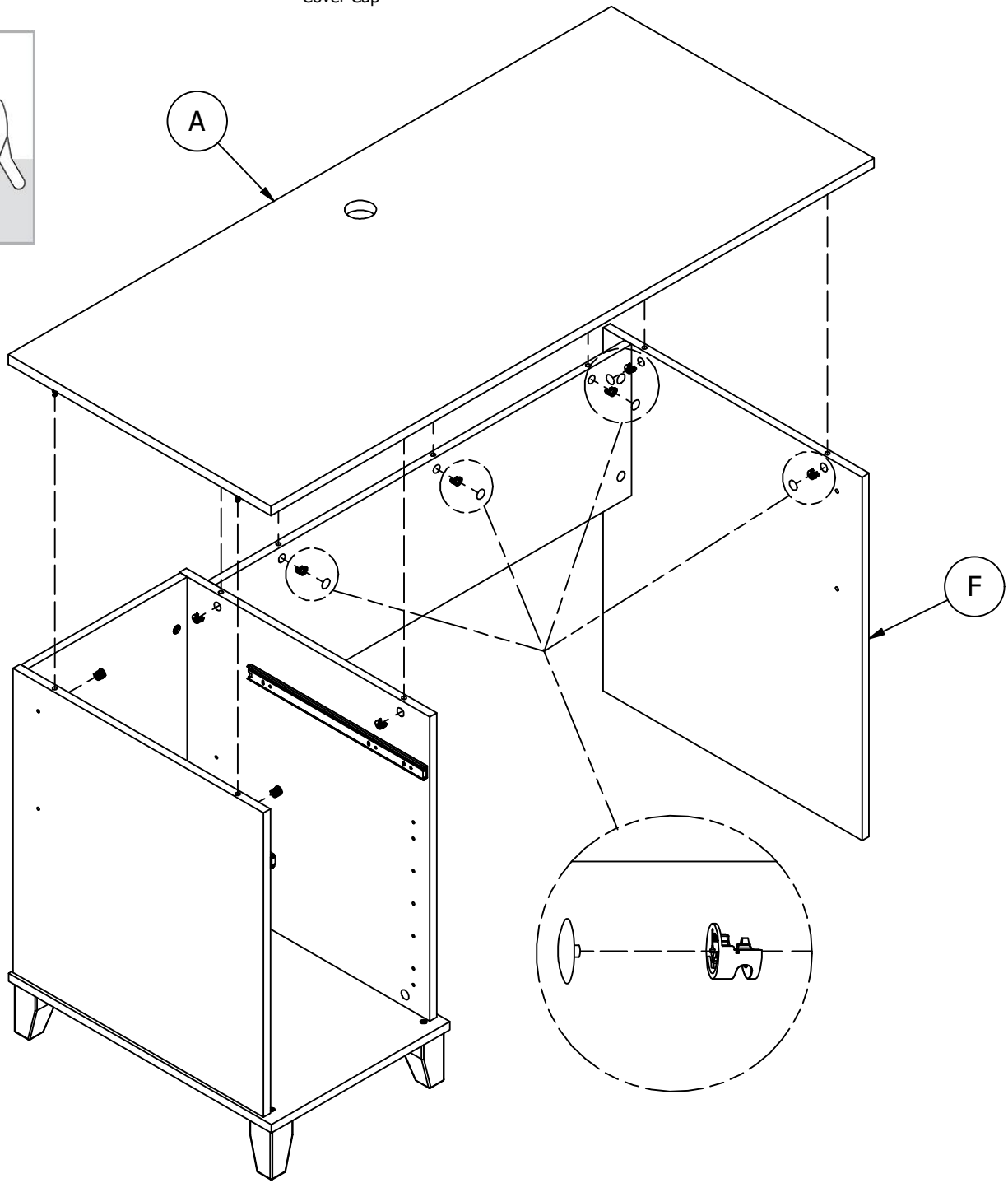
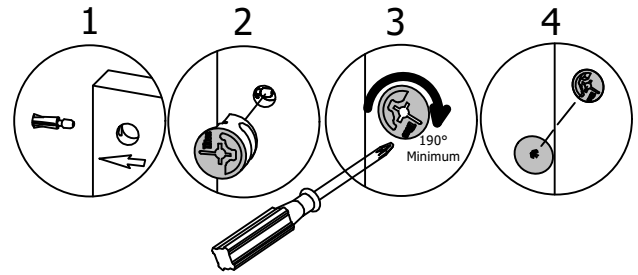
H181468US



[9]



[5]

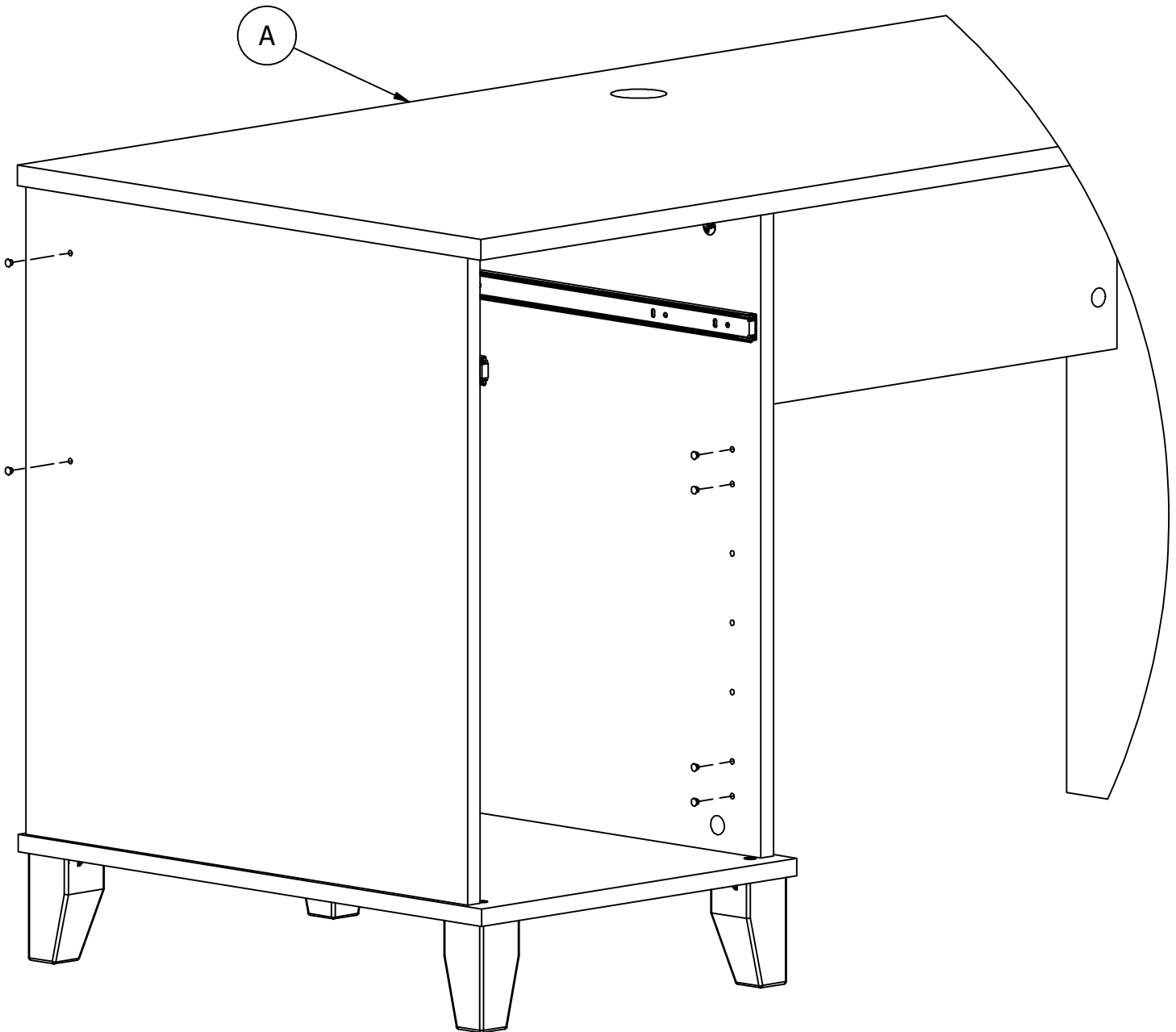


Have an assembly question or need a replacement part? Just call **1-800-950-4782**, we are here to help.

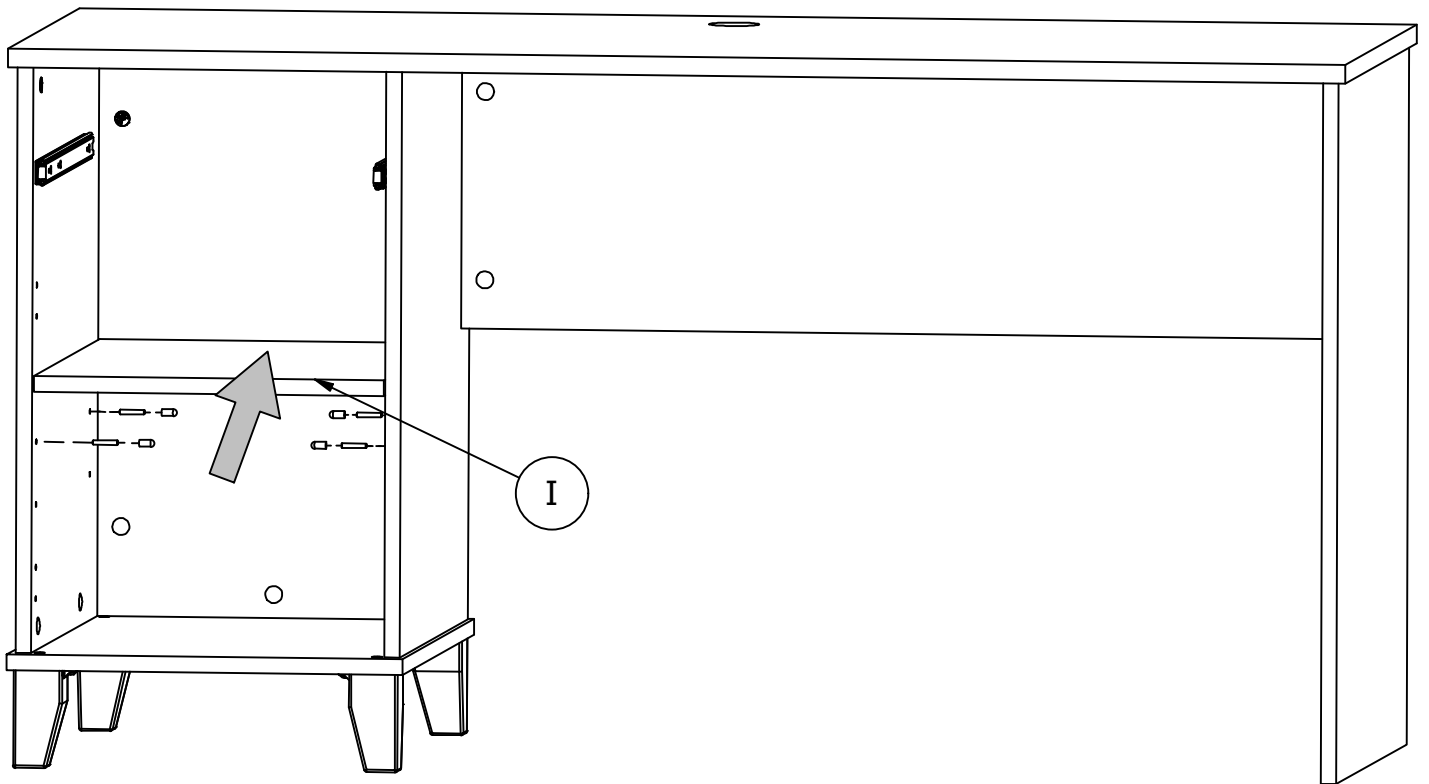
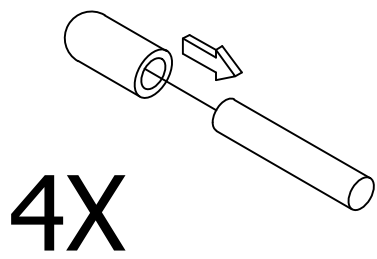
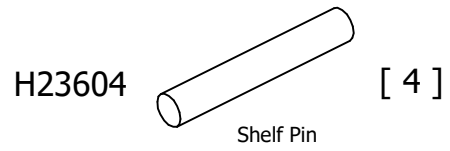
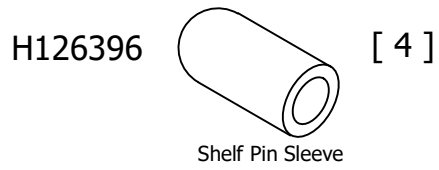


[6]

5mm Hole Plug

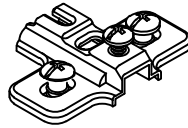


Have an assembly question or need a replacement part? Just call
1-800-950-4782, we are here to help.



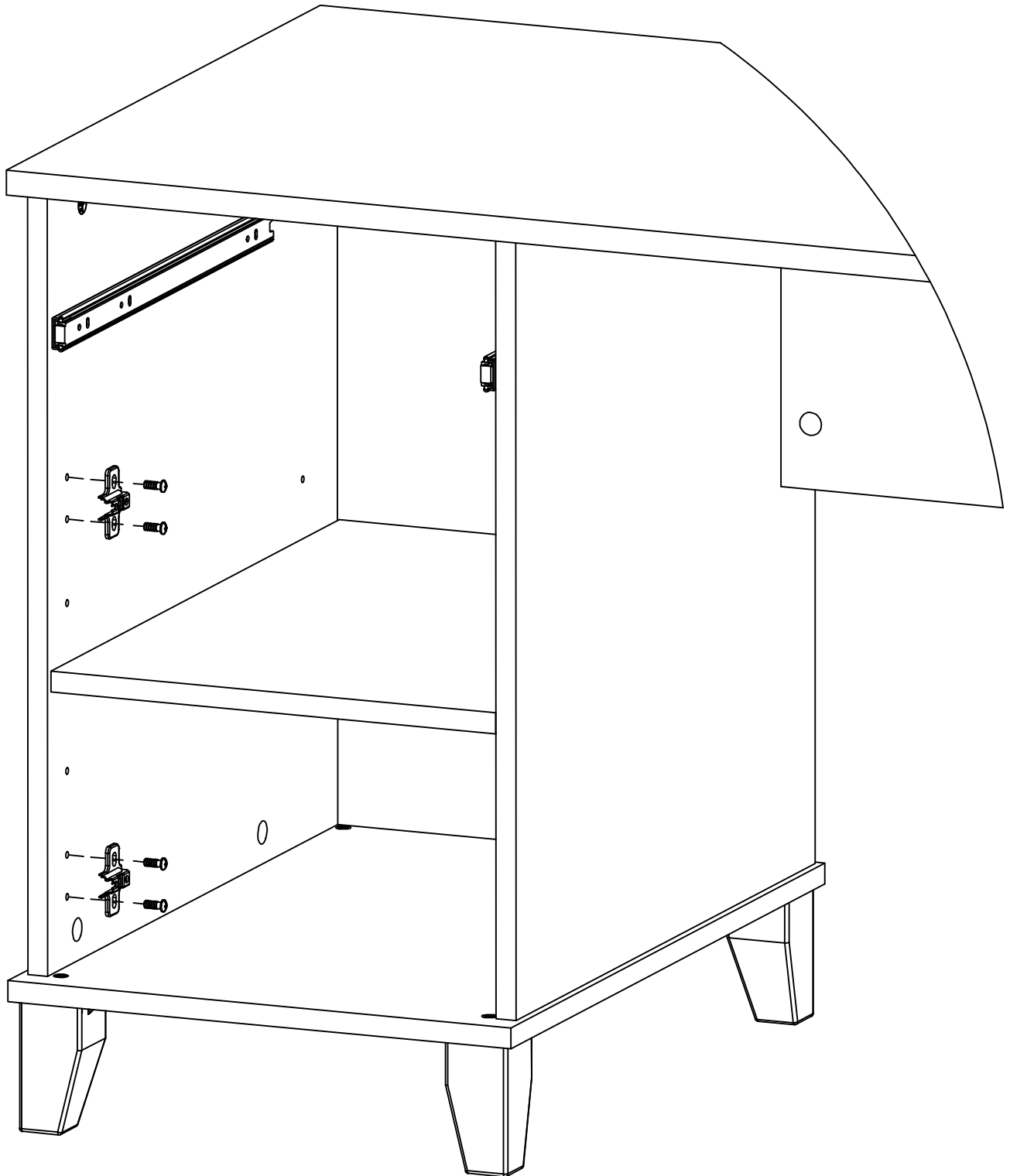
Have an assembly question or need a replacement part? Just call **1-800-950-4782**, we are here to help.

H126758



[2]

Mounting Plate



Have an assembly question or need a replacement part? Just call
1-800-950-4782, we are here to help.

Scan QR Code to Watch Video on:



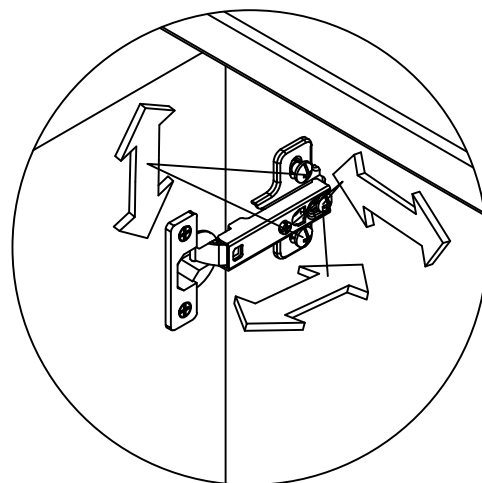
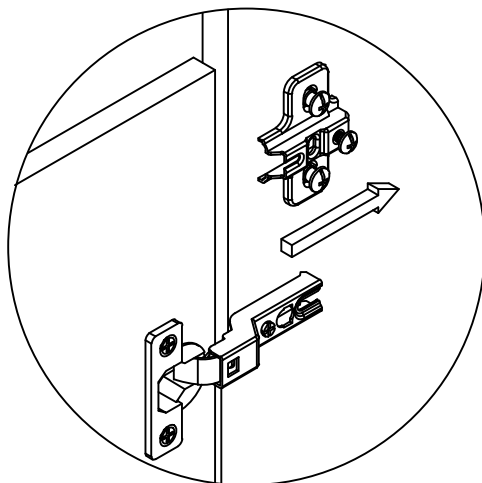
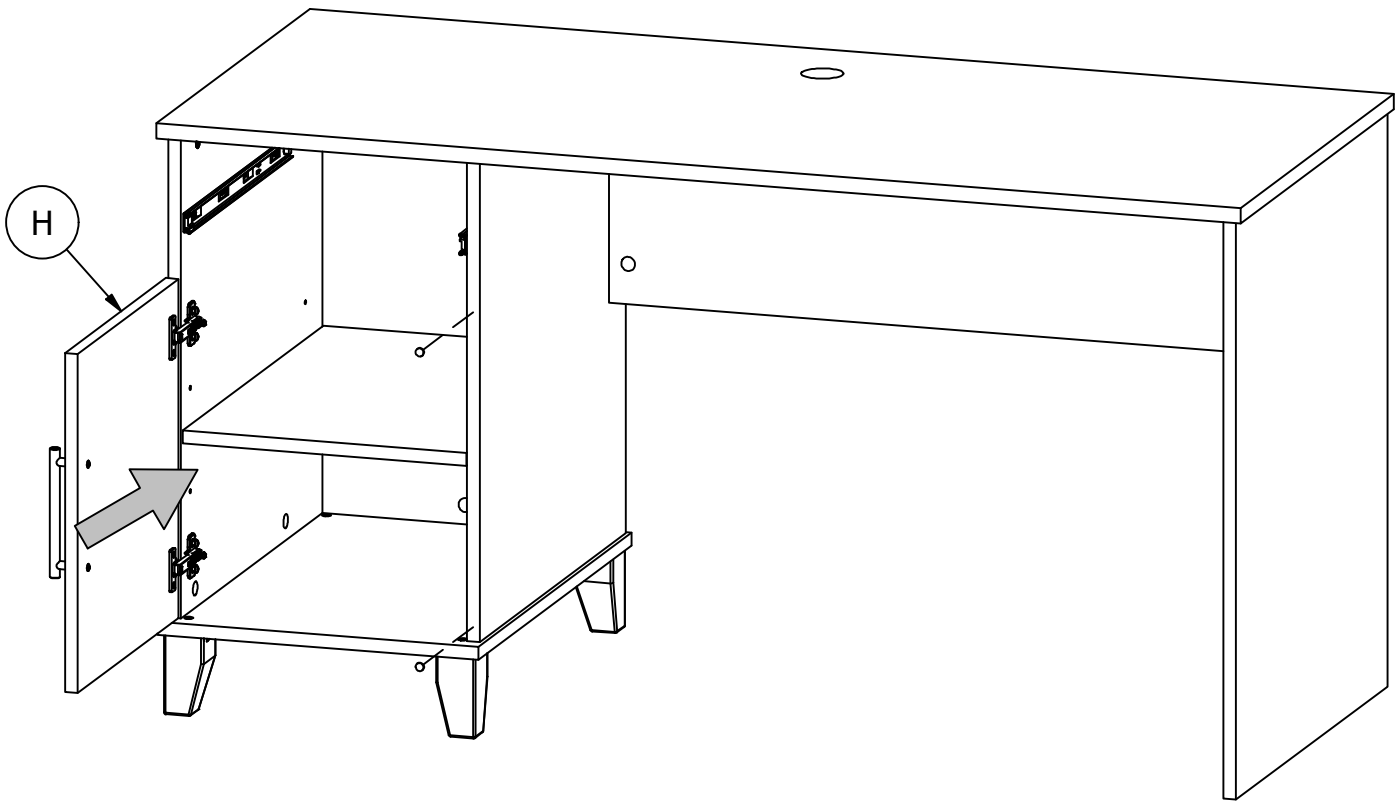
How to Adjust Door Hinges

H215406

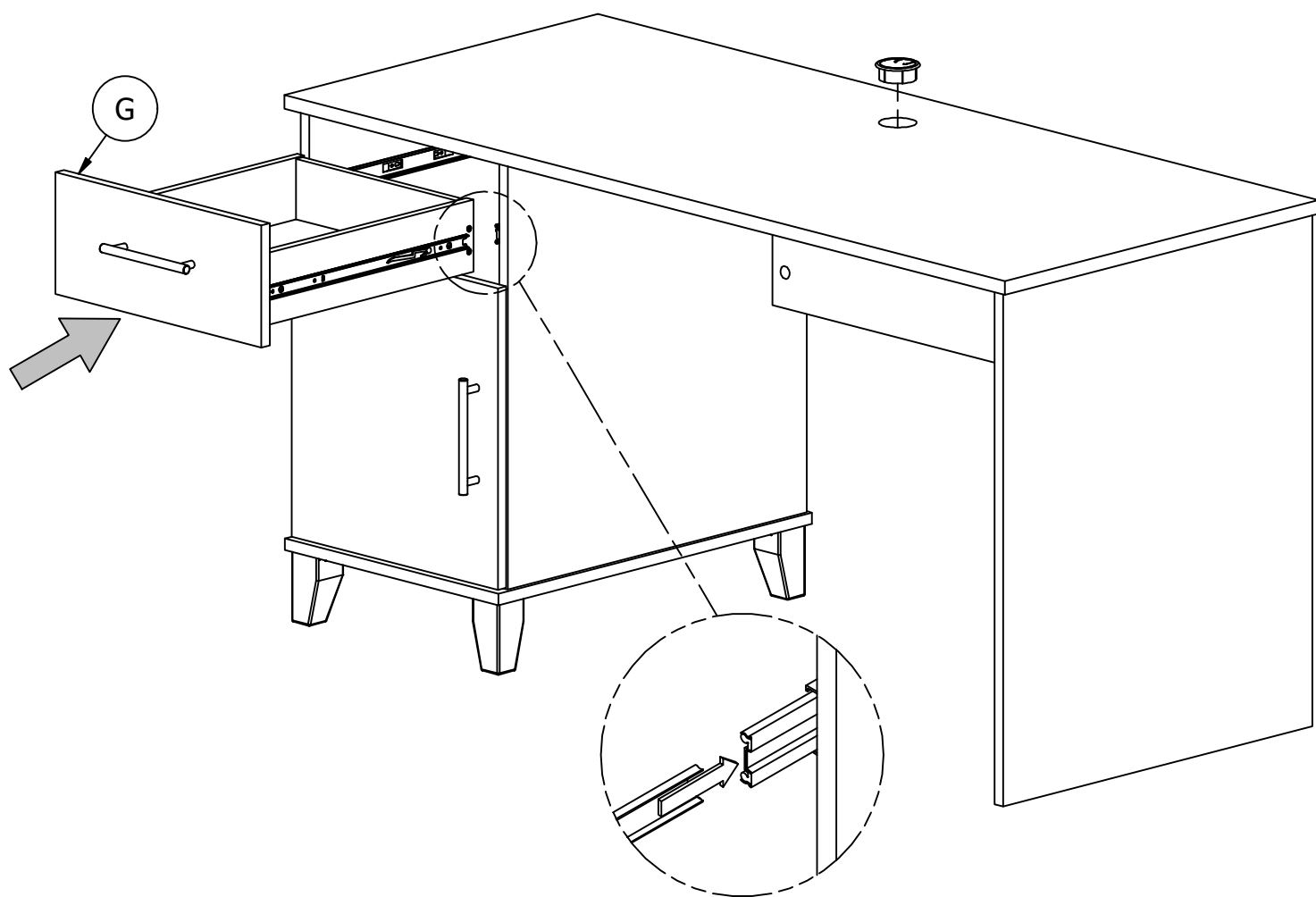
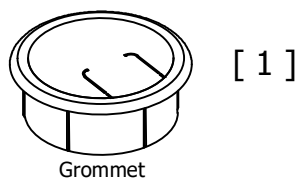


[2]

Bumper

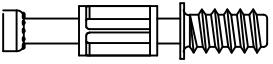


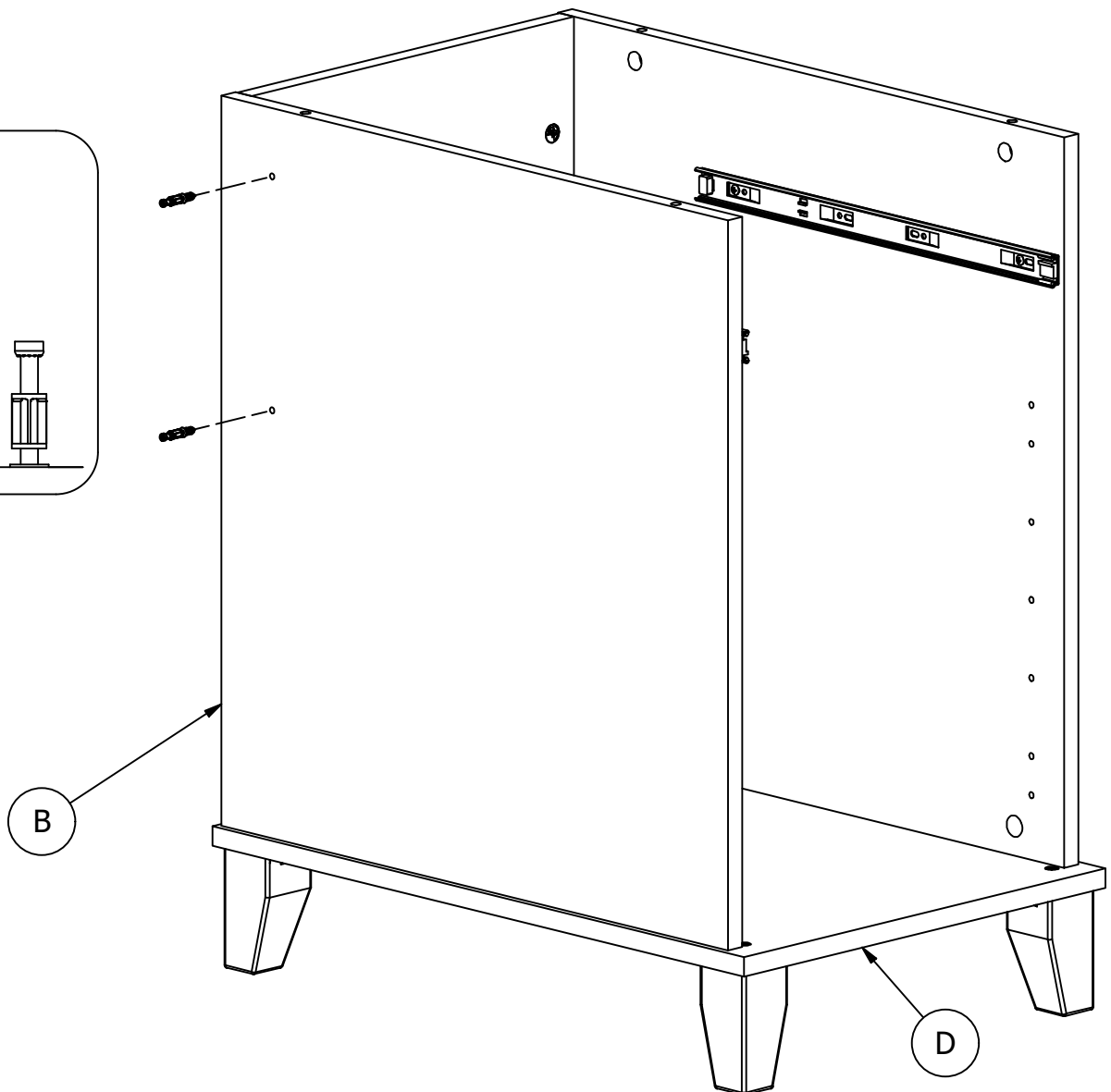
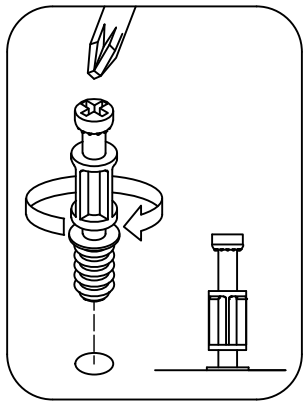
Have an assembly question or need a replacement part? Just call **1-800-950-4782**, we are here to help.



Go to Step 33.
Proceda al paso 33.
Allez à l'étape 33.

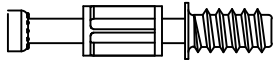
Have an assembly question or need a replacement part? Just call
1-800-950-4782, we are here to help.

H72988  [2]
KD Bolt



Have an assembly question or need a replacement part? Just call
1-800-950-4782, we are here to help.

H72988



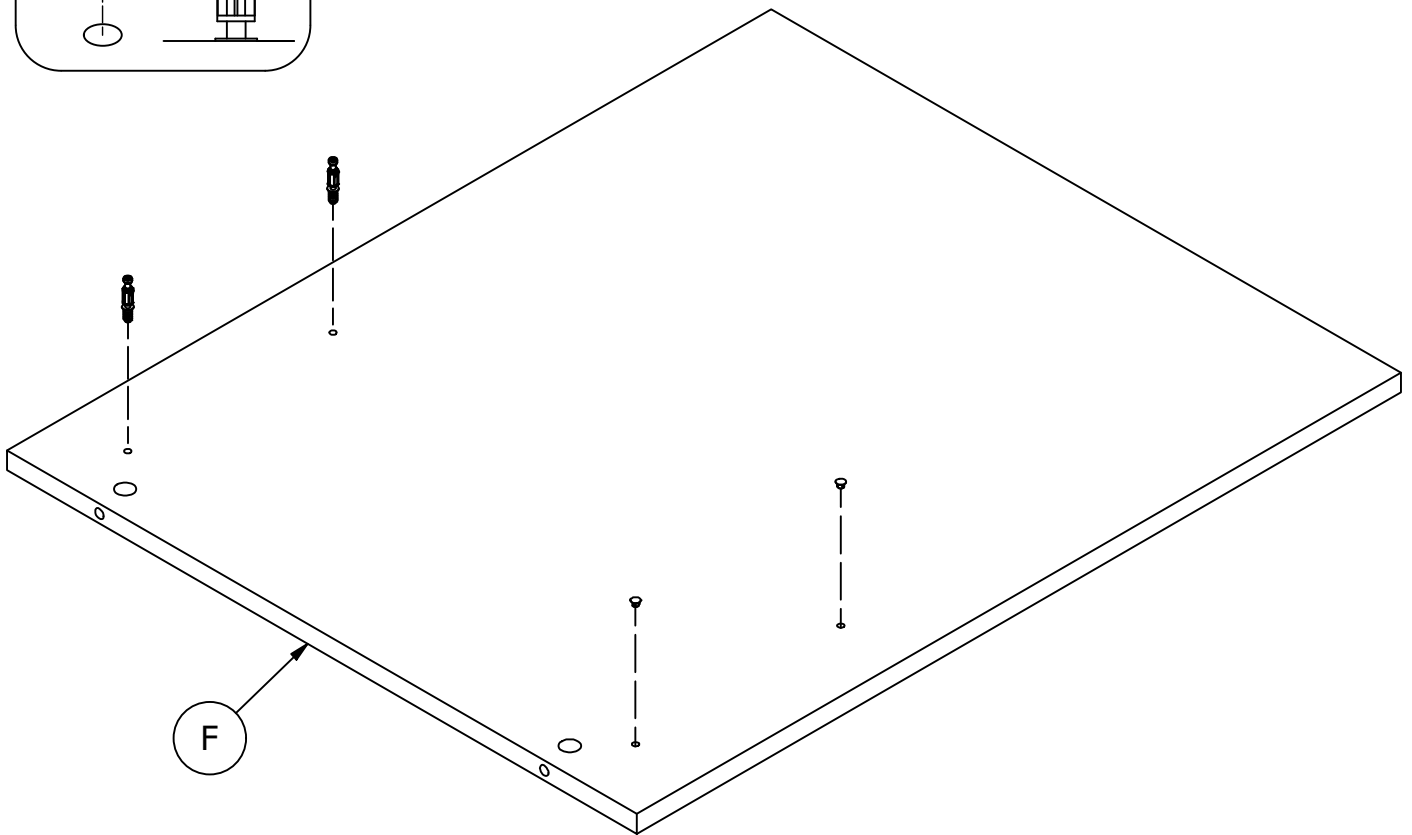
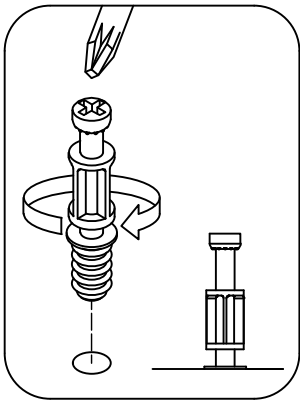
[2]

KD Bolt



[2]

5mm Hole Plug



Have an assembly question or need a replacement part? Just call **1-800-950-4782**, we are here to help.

Scan QR Code to Watch Video on:



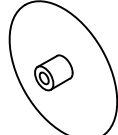
How to Tighten KD Cams

H181468US



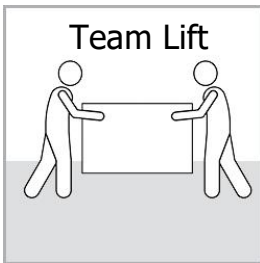
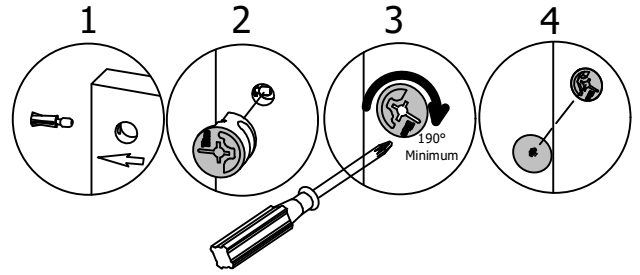
KD Cam3000

[2]

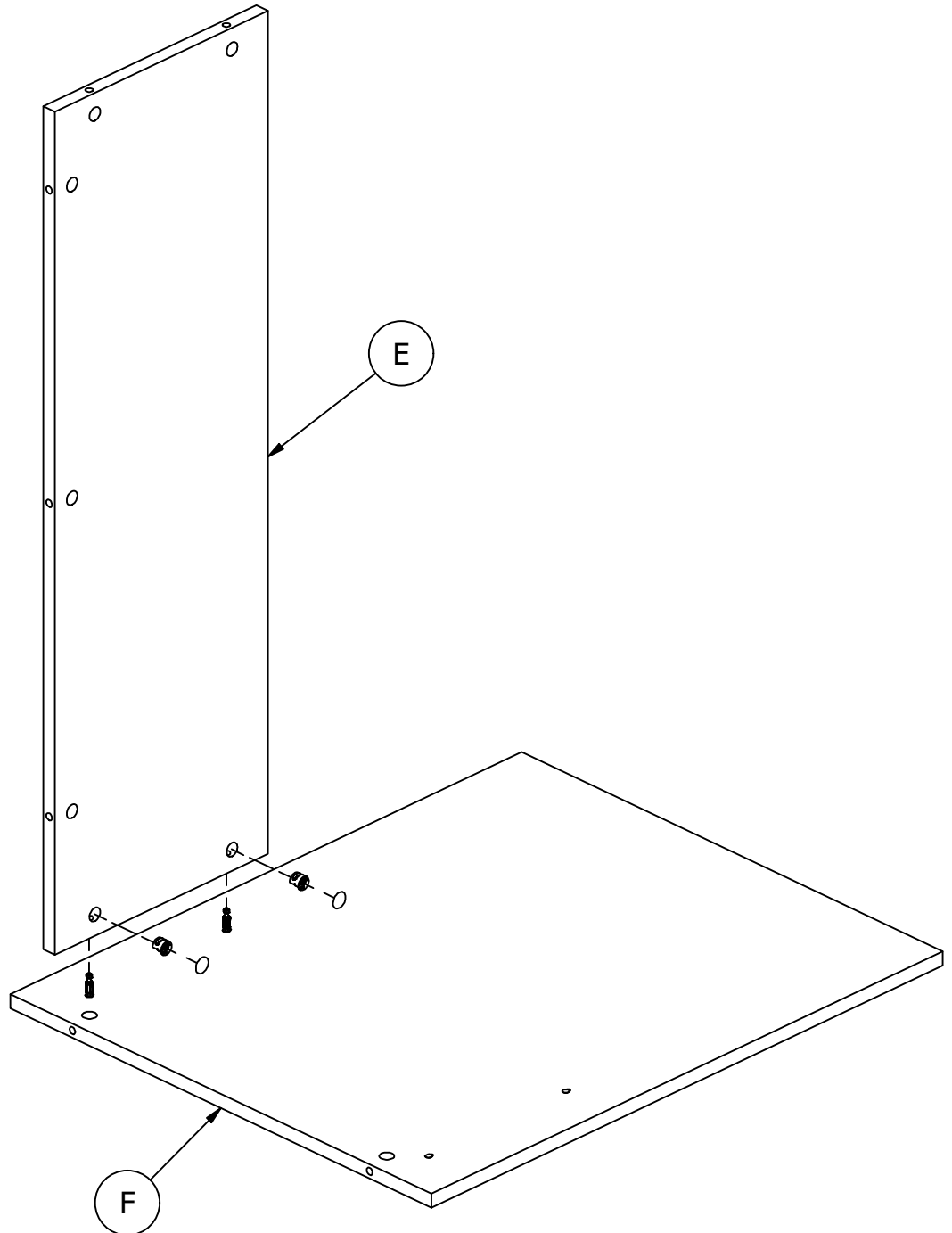


Cover Cap

[2]



Team Lift



Have an assembly question or need a replacement part? Just call **1-800-950-4782**, we are here to help.

STEP 25

Attach Panels

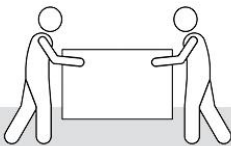
A218209

Scan QR Code to Watch Video on:



How to Tighten KD Cams

Team Lift

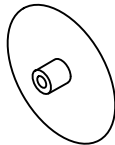


H181468US



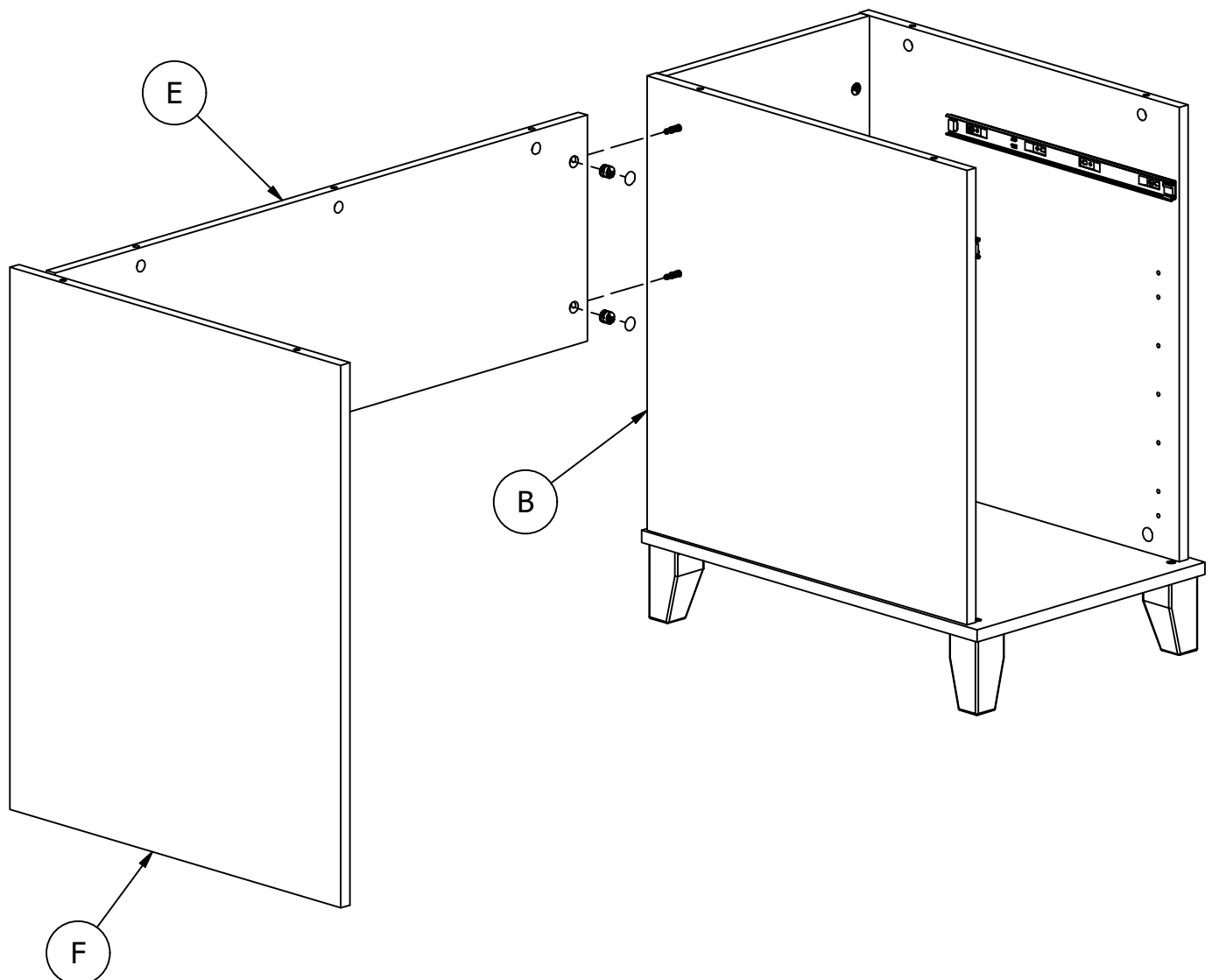
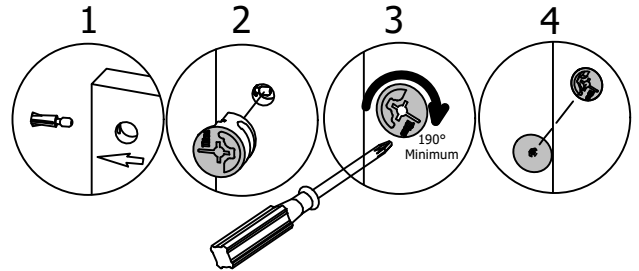
KD Cam3000

[2]




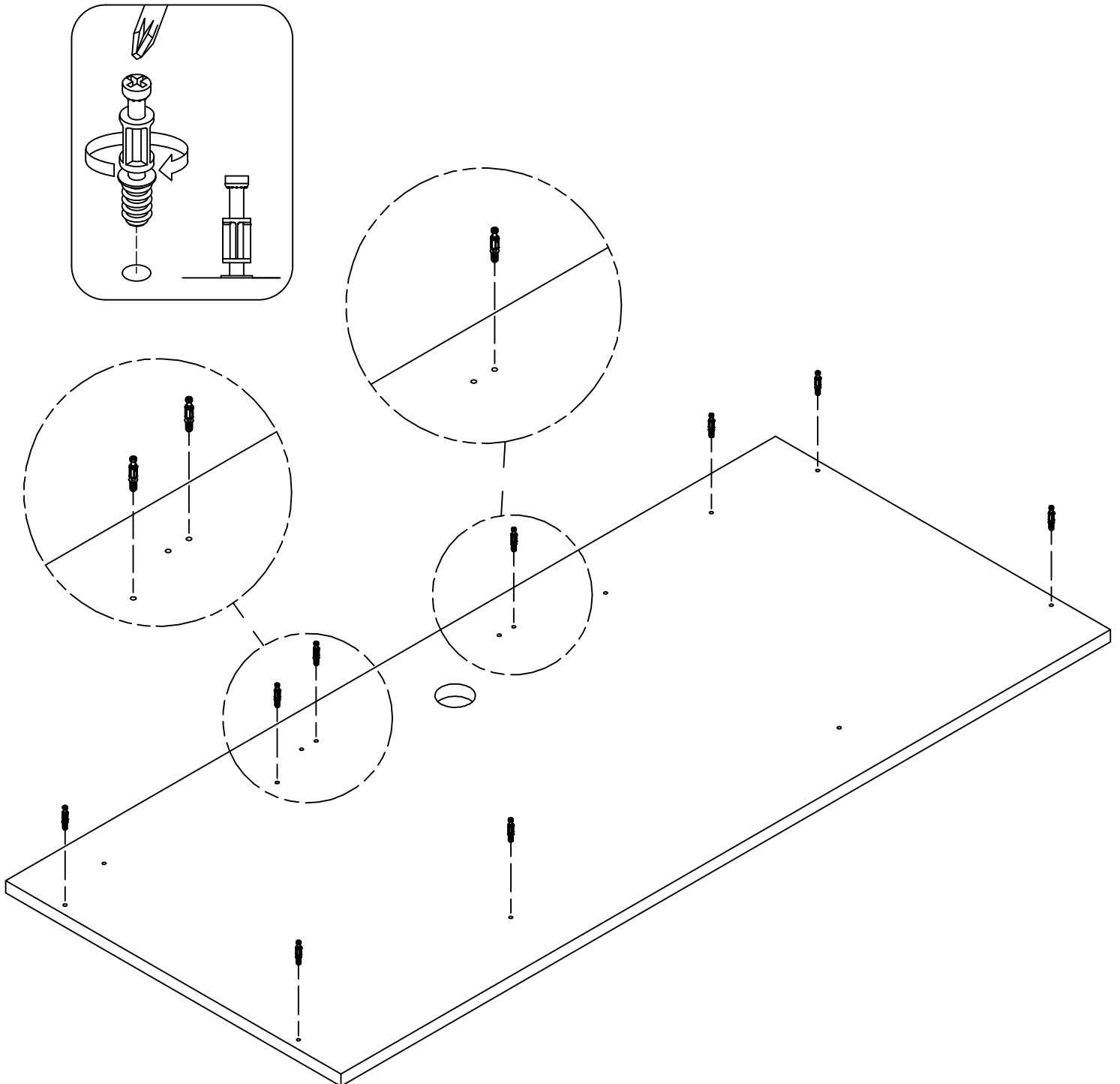
Cover Cap

[2]



Have an assembly question or need a replacement part? Just call **1-800-950-4782**, we are here to help.

H72988  [9]
KD Bolt



Have an assembly question or need a replacement part? Just call
1-800-950-4782, we are here to help.

STEP 27

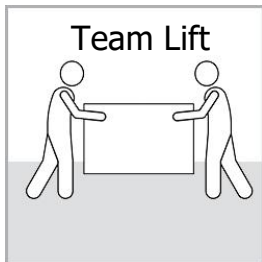
Attach Panels

A218209

Scan QR Code to Watch Video on:



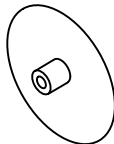
How to Tighten KD Cams



H181468US

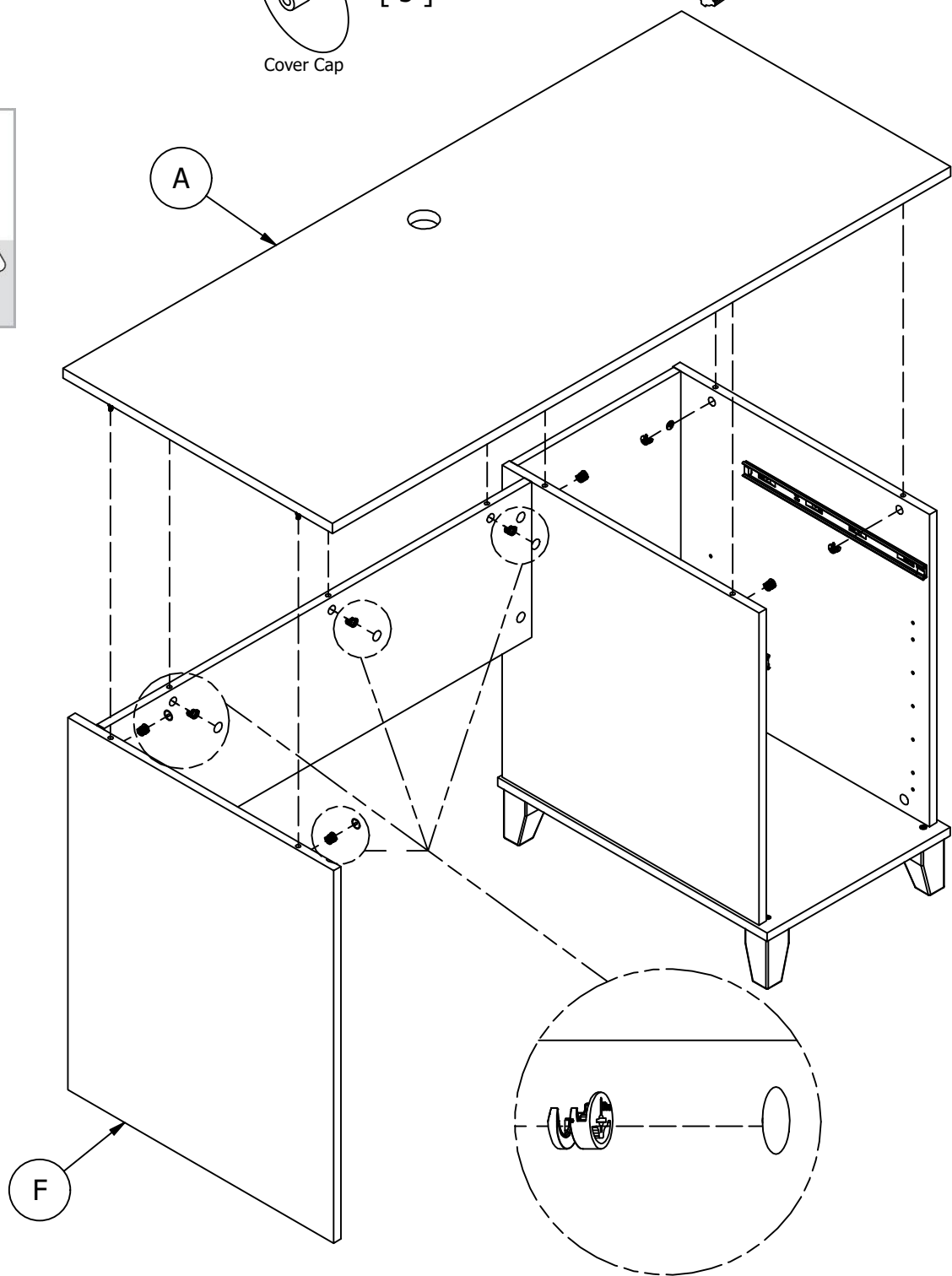
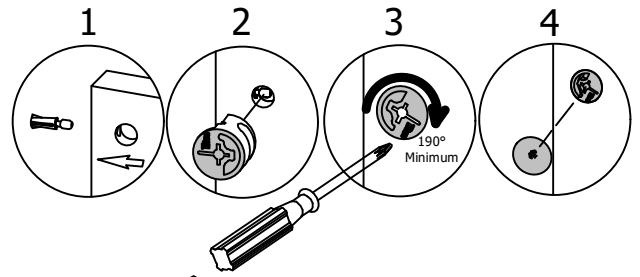


[9]



[5]

Cover Cap

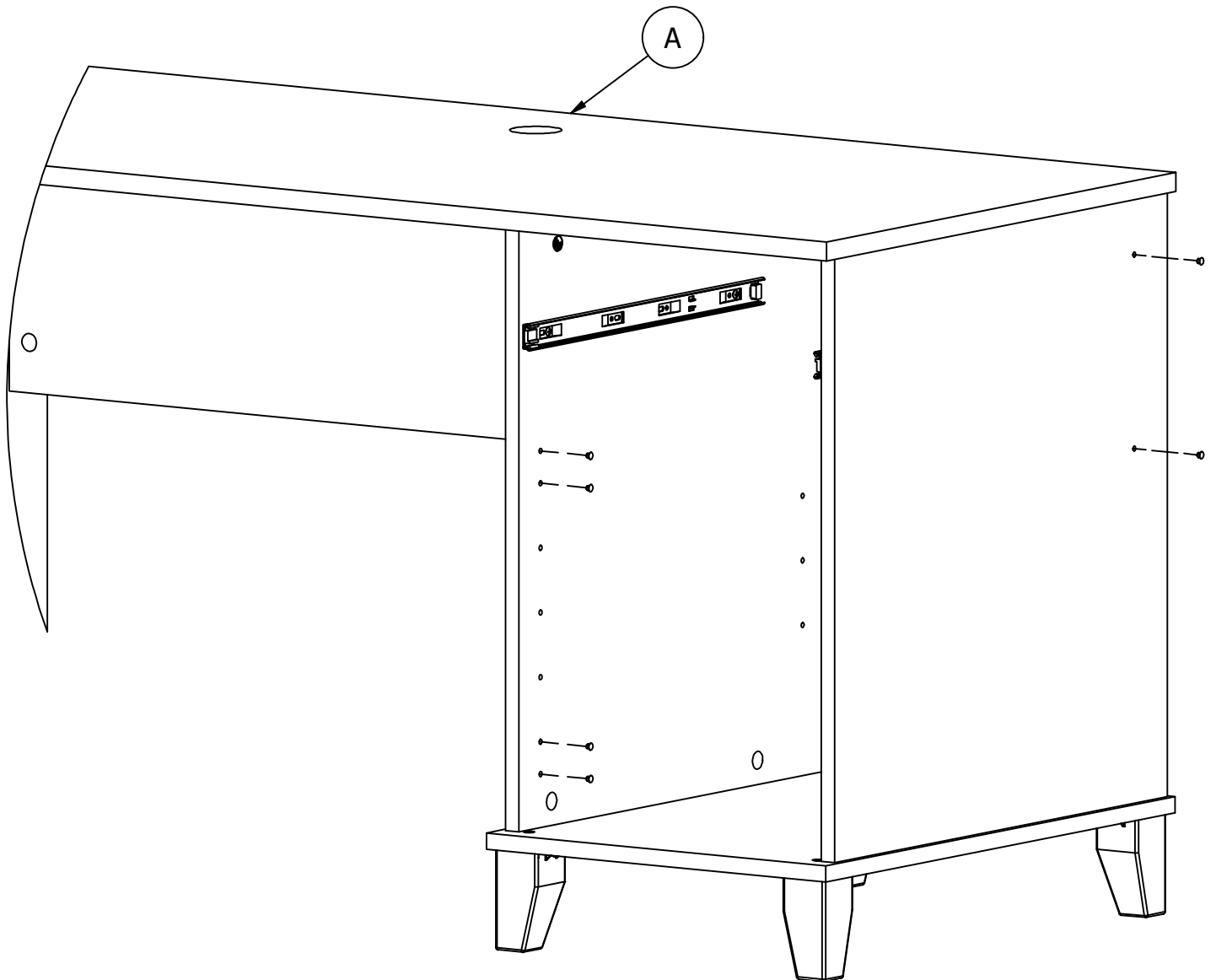


Have an assembly question or need a replacement part? Just call **1-800-950-4782**, we are here to help.

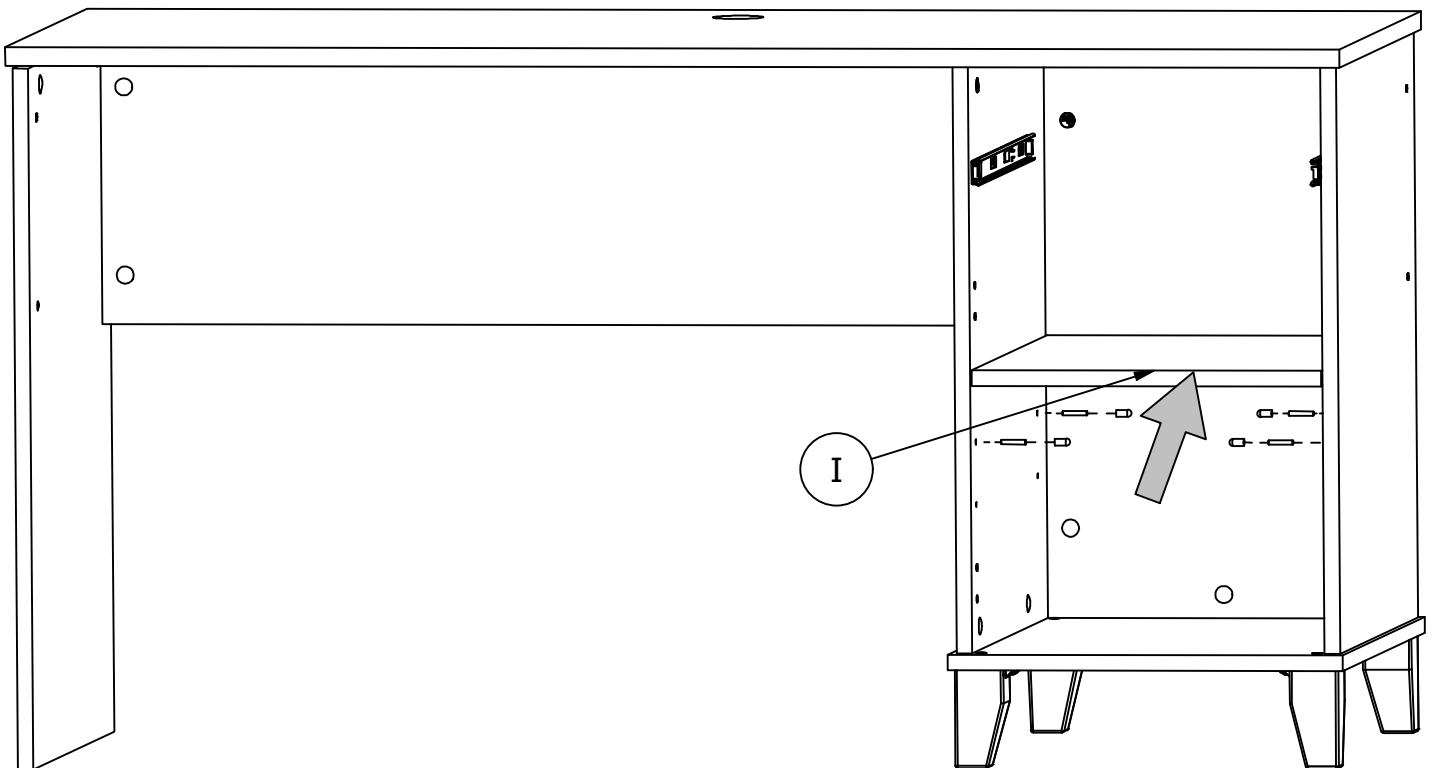
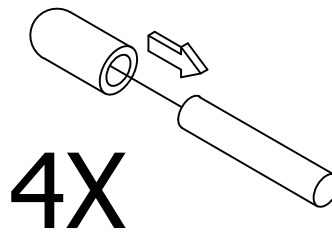
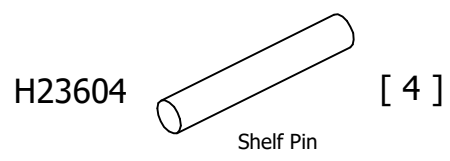
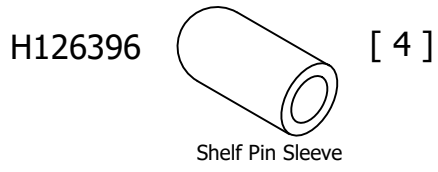


[6]

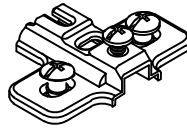
5mm Hole Plug



Have an assembly question or need a replacement part? Just call
1-800-950-4782, we are here to help.

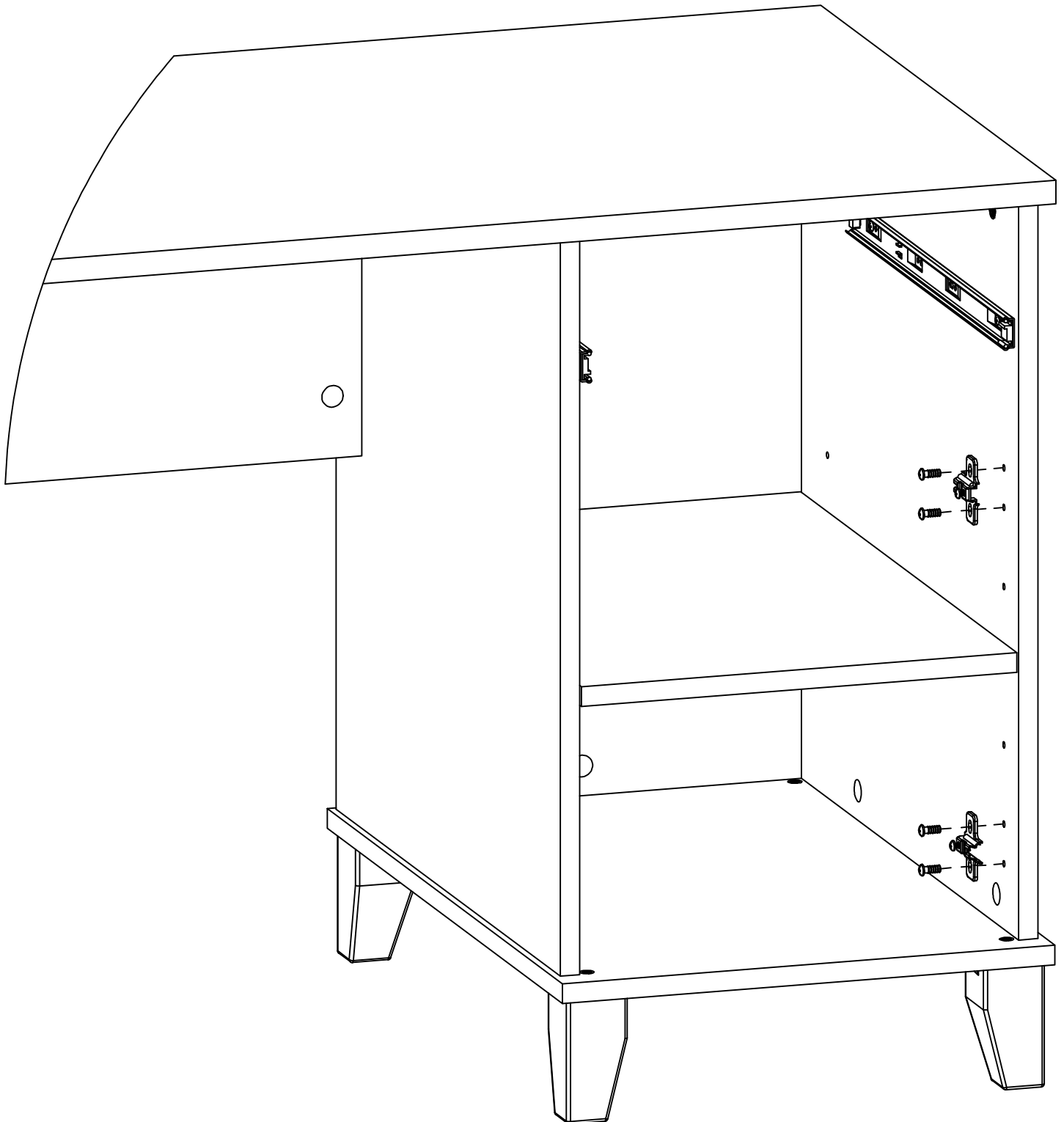


H126758



[2]

Mounting Plate



Have an assembly question or need a replacement part? Just call
1-800-950-4782, we are here to help.

Scan QR Code to Watch Video on:



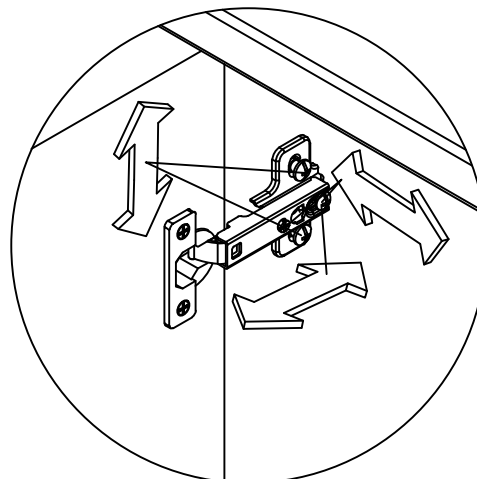
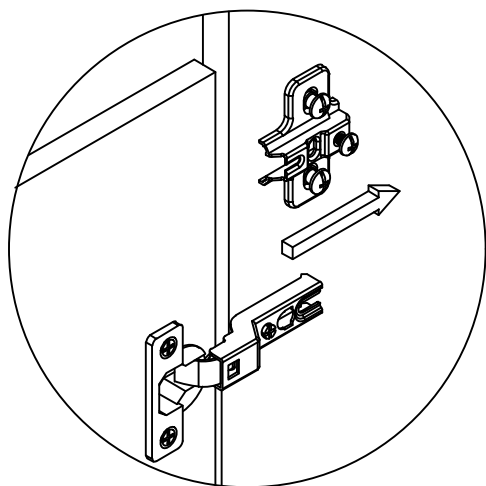
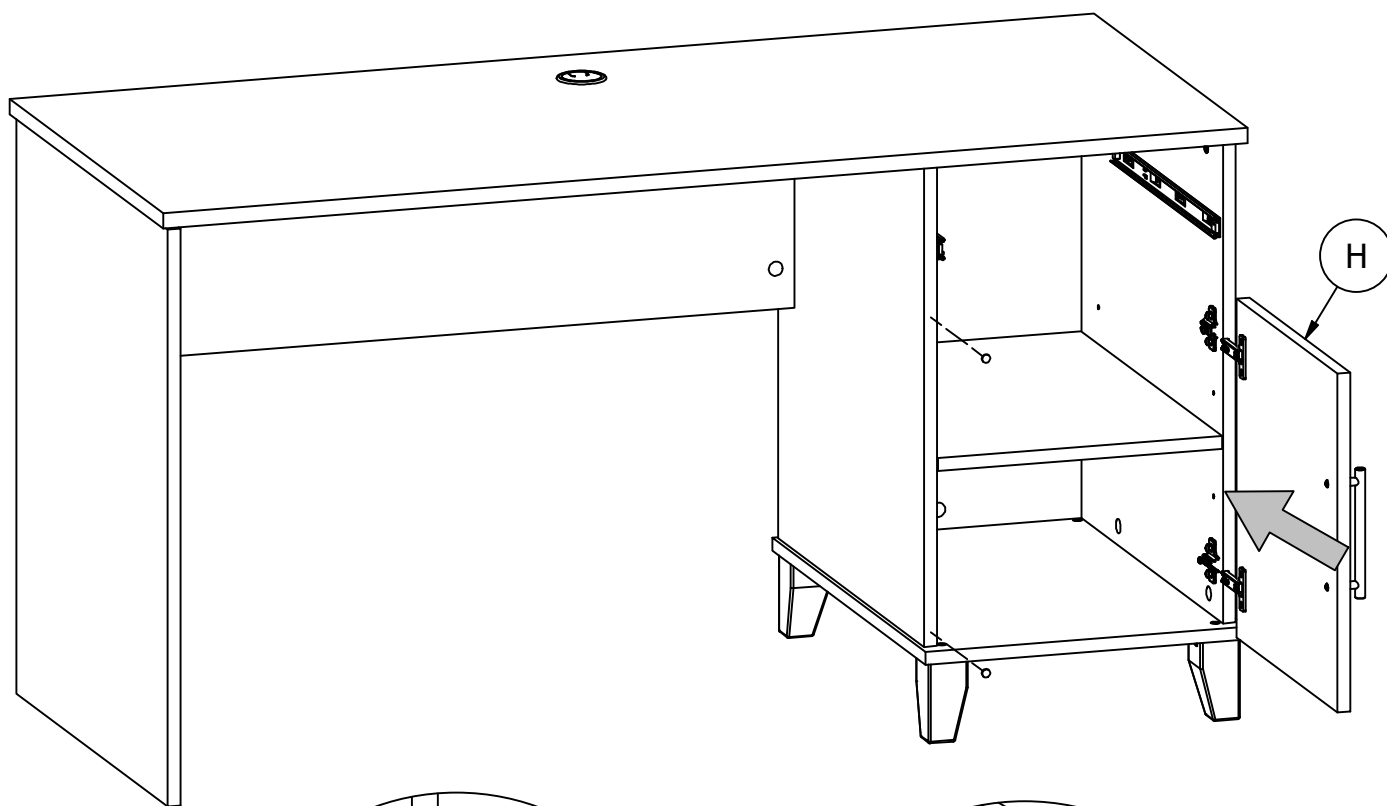
How to Adjust Door Hinges

H215406

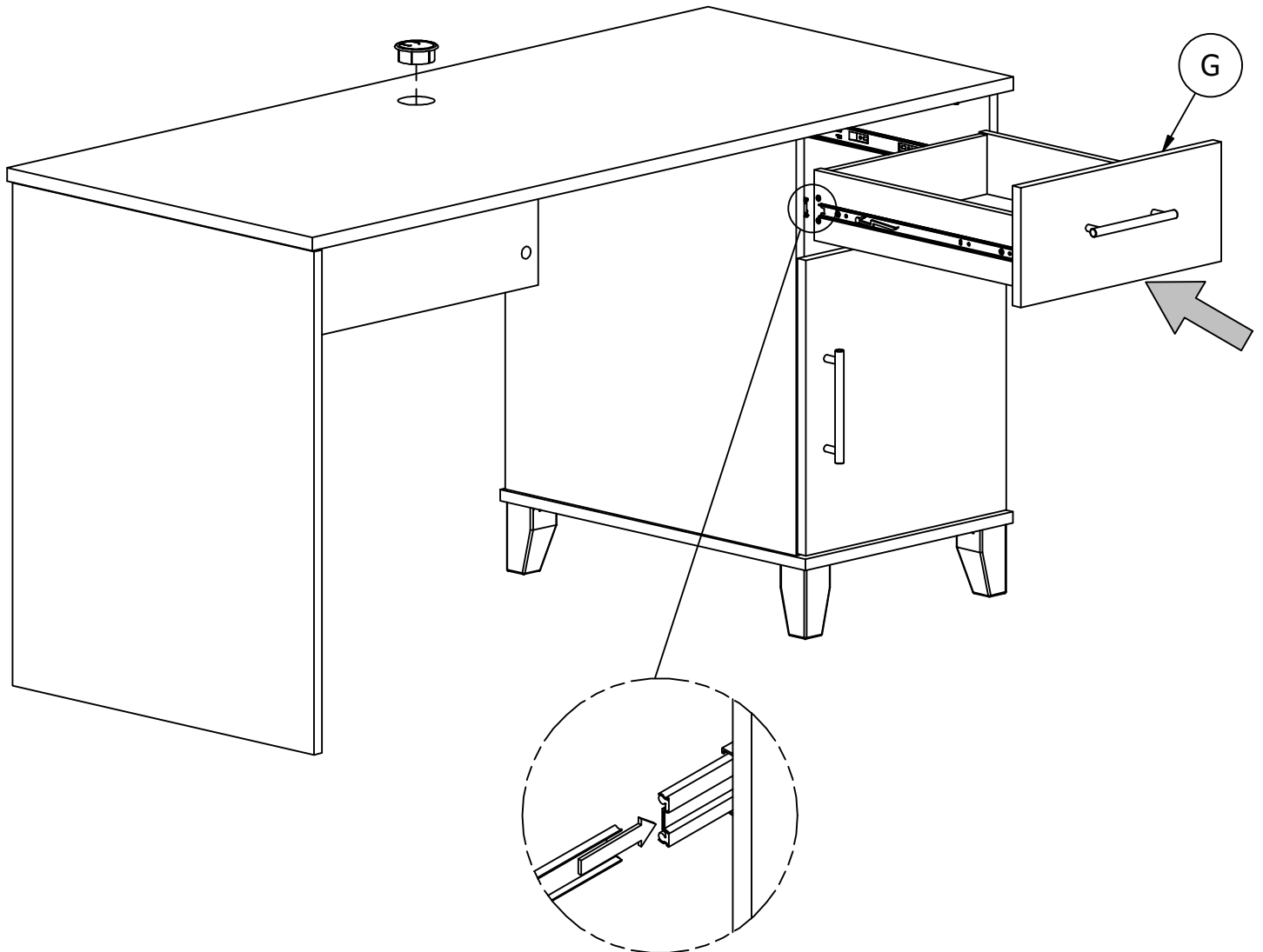
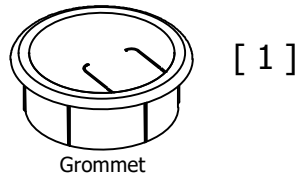


[2]

Bumper



Have an assembly question or need a replacement part? Just call **1-800-950-4782**, we are here to help.



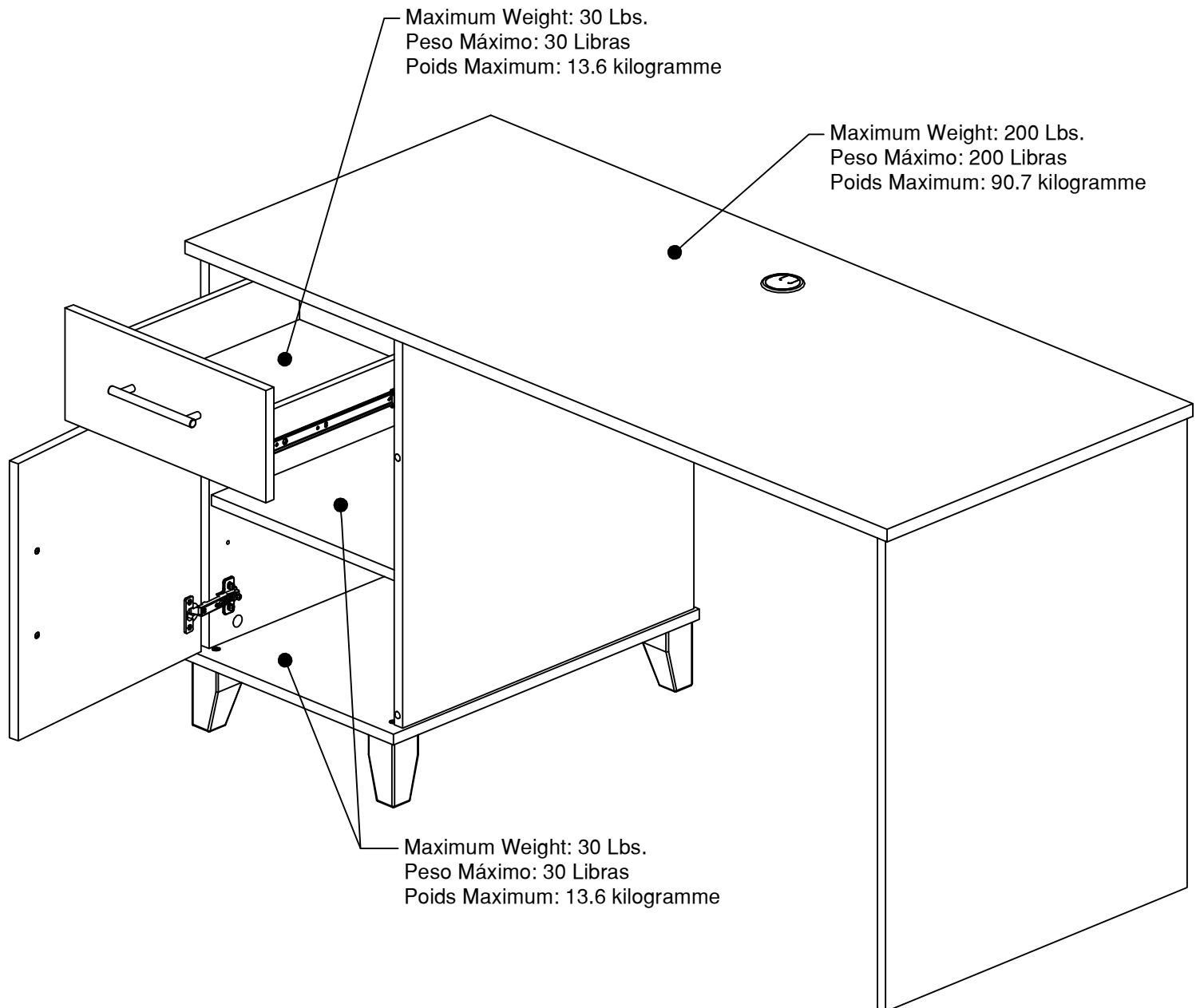
Have an assembly question or need a replacement part? Just call
1-800-950-4782, we are here to help.

Scan QR Code to
Watch Video on:



How to Clean
the Surface

Gently clean surfaces with a damp sponge eraser.



Congratulations! You are all done. If you have any questions or concerns, please call.

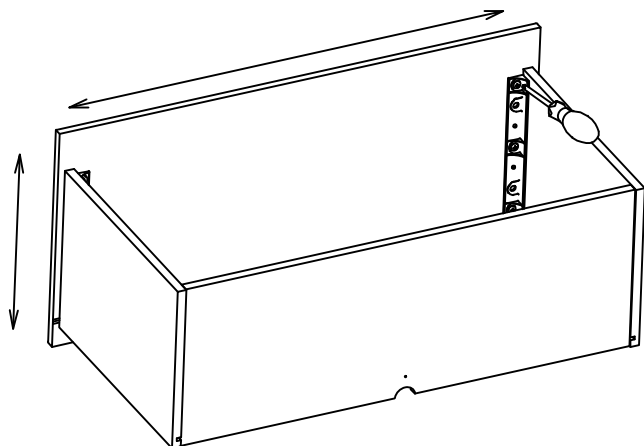
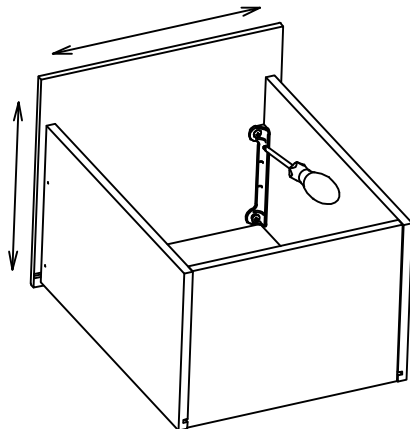
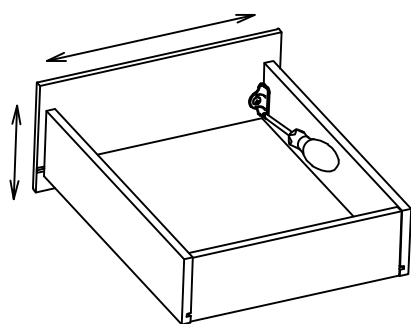
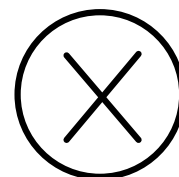
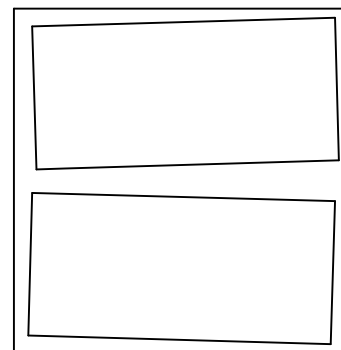
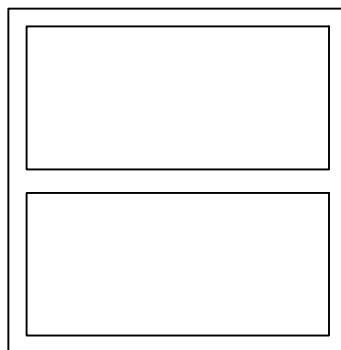
Have an assembly question or need a replacement part? Just call **1-800-950-4782**, we are here to help.

Scan QR Code to Watch Video on:



How to Adjust Drawer Fronts

DRAWER FRONT VIEW



REQUIRED TOOL: PHILLIPS SCREWDRIVER

HERRAMIENTA REQUERIDA: DESTORNILLADOR PHILLIPS
 OUTIL REQUIS: TOURNEVIS CRUCIFORME



1. LOOSEN SCREWS.
2. ADJUST DRAWER FRONTS.
3. TIGHTEN SCREWS.

1. Afloje los tornillos
2. Ajustar frentes de cajón
3. Apriete los tornillos

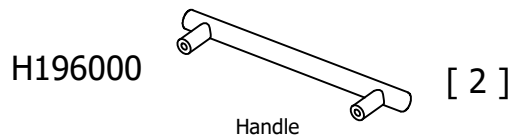
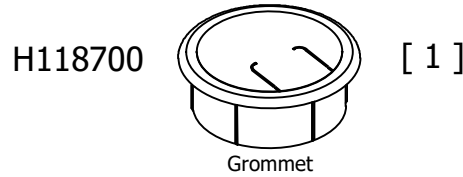
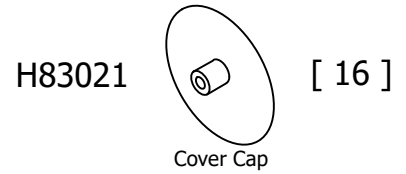
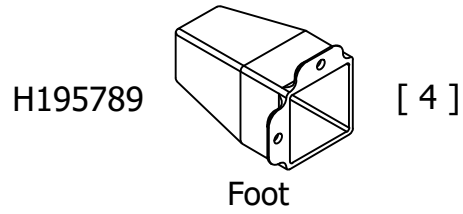
1. Desserrer les vis
2. Ajuster les façades des tiroirs
3. Serrer les vis

Have an assembly question or need a replacement part? Just call **1-800-950-4782**, we are here to help.

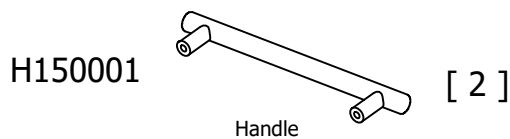
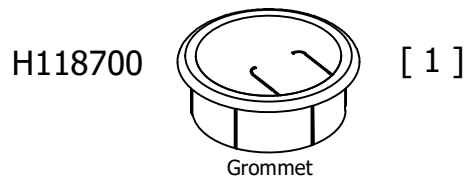
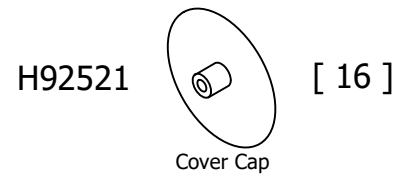
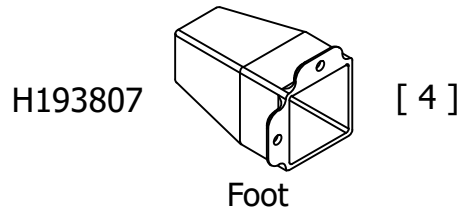
PARTS LIST

A218209

WC81254		
LABEL	QTY	NUMBER
A	1	W218193
B	1	W218194
C	1	W218195
D	1	W195873
E	1	W218196
F	1	W218197
G	1	W218198
H	1	W218199
I	1	W218200
J	2	W192559
K	1	W87410
L	1	W128623
S	1	W195875



WC81554		
LABEL	QTY	NUMBER
A	1	W218185
B	1	W218186
C	1	W218187
D	1	W193876
E	1	W218188
F	1	W218189
G	1	W218190
H	1	W218191
I	1	W218192
J	2	W192559
K	1	W87410
L	1	W128623
S	1	W193878

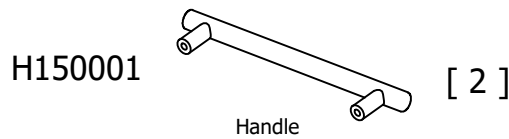
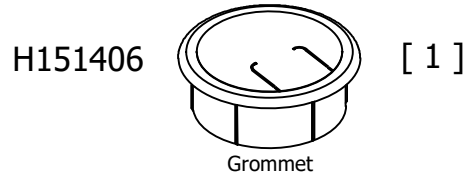
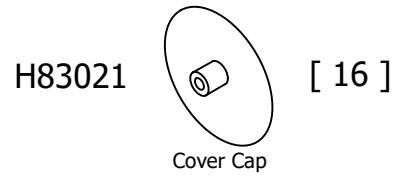
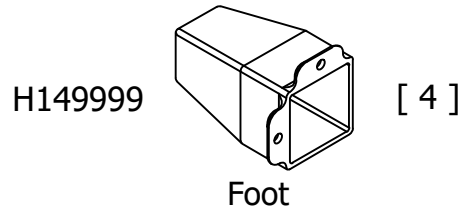


Have an assembly question or need a replacement part? Just call
1-800-950-4782, we are here to help.

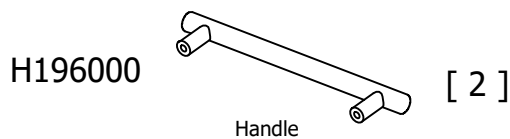
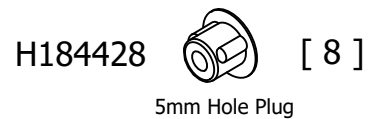
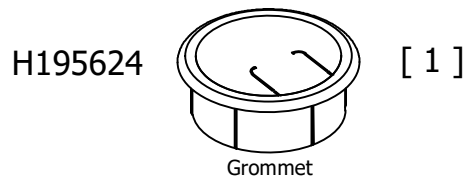
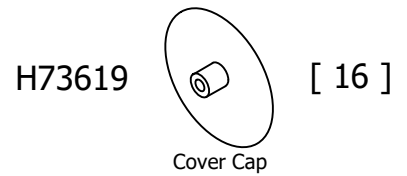
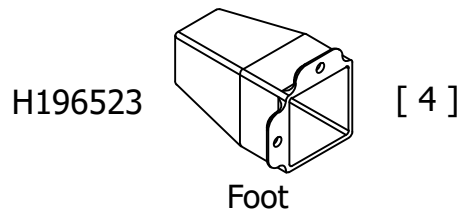
PARTS LIST

A218209

WC81654		
LABEL	QTY	NUMBER
A	1	W218177
B	1	W218178
C	1	W218179
D	1	W186384
E	1	W218180
F	1	W218181
G	1	W218182
H	1	W218183
I	1	W218184
J	2	W192559
K	1	W87410
L	1	W128623
S	1	W187470



WC81954		
LABEL	QTY	NUMBER
A	1	W218201
B	1	W218202
C	1	W218203
D	1	W196080
E	1	W218204
F	1	W218205
G	1	W218206
H	1	W218207
I	1	W218208
J	2	W192559
K	1	W87410
L	1	W128623
S	1	W196082



Have an assembly question or need a replacement part? Just call
1-800-950-4782, we are here to help.