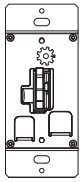
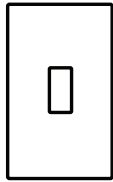


## PARTS INCLUDED



Dimmer (1)



Decorative Wall Plate (1)



Mounting Screws (2)

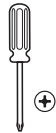


Wall Plate Screws (2)

## TOOLS REQUIRED (NOT INCLUDED)



Flathead screwdriver



Phillips screwdriver



Wire Strippers/Cutters  
(in case the copper isn't exposed enough)



**WARNING:** This product may represent a possible shock or fire hazard if improperly installed or attached in any way. Product should be installed in accordance with the owners manual, current electrical codes and/or the current National Electric Code (NEC).

**CAUTION:** If you are unfamiliar or inexperienced with your home's electrical systems, contact a certified electrician for assistance.

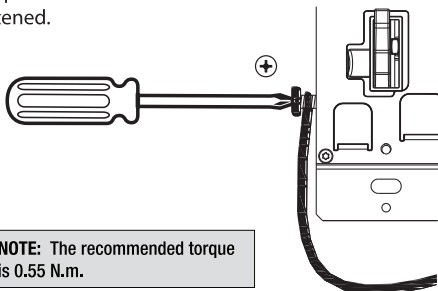
**RISK OF ELECTRIC SHOCK:** TURN OFF THE MAIN POWER AT THE CIRCUIT BREAKER BEFORE INSTALLING.

### RISK OF FIRE:

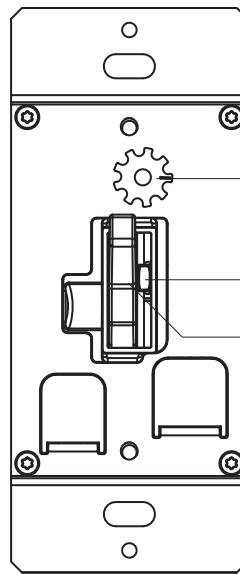
- DO NOT USE WITH CONTROL RECEPTACLE OUTLETS, FLUORESCENT LIGHTING FIXTURES, MOTOR-OPERATED APPLIANCES OR TRANSFORMER SUPPLIED APPLIANCES.
- DO NOT EXCEED ELECTRICAL RATINGS
- USE ONLY COPPER WIRES WITH THIS DEVICE
- USE INDOORS ONLY

## IMPORTANT WIRING INFORMATION

- The wire can be inserted straight or wrapped around the screw and tightened.



**NOTE:** The recommended torque is 0.55 N.m.



Adjustment trim wheel

Dimming Slider

On/off toggle switch

## LIMITED WARRANTY

This product is warranted to be free from defects in workmanship and materials for up to 1 year from date of purchase. If it fails to do so, please contact Feit Electric at [info@feit.com](mailto:info@feit.com) or call 1-866-326-BULB (2852) for instructions on replacement. This replacement is the sole remedy available and liability for incidental or consequential damage is expressly excluded. Do not return the product to the store. For comments please contact: Feit Electric Customer Service 4901 Gregg Road, Pico Rivera, CA 90660. [www.feit.com](http://www.feit.com).

**NOTE:** Dimmable LEDs may not dim as low as incandescent bulbs. Dimming range of dimmable LEDs can vary from manufacturer to manufacturer. This dimmer has an adjustable dimming range. If your bulbs do not dim to your satisfaction, hum, buzz or flicker adjust your trim and review the troubleshooting section for help.

Compatible with Feit Electric dimmable LED bulbs and most other dimmable LED bulbs. Dimming performance may not be the same or similar to dimming of incandescent bulbs. Some possible dimming variations include but are not limited to: less dimming range than an incandescent bulb; dimming less smooth than an incandescent bulb; flicker or shimmer at certain light levels; and, buzzing or humming at certain light levels.

Feit Electric warrants the compatibility of this dimmer with Feit Electric LED dimmable bulbs and replacement of the dimmer is the sole remedy for incompatibility. Feit Electric does not warrant the compatibility of this dimmer with any other particular LED bulb.

If you experience flickering when using the dimmer, move the dimmer control to full and readjust the dimming setting.

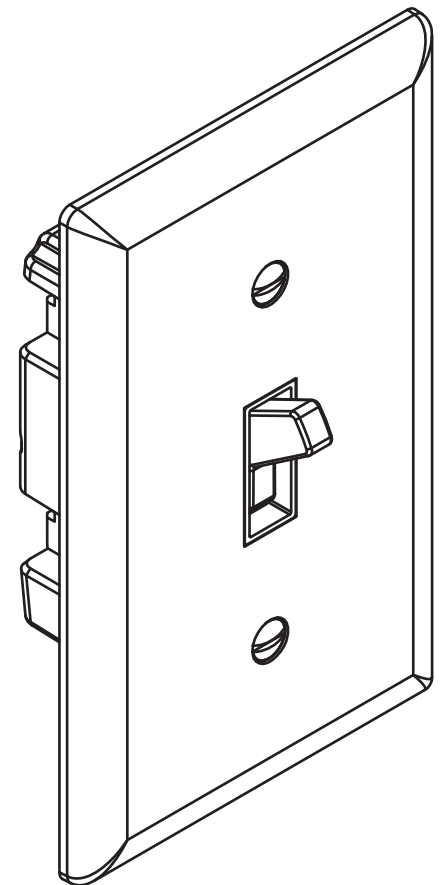
**FEIT ELECTRIC COMPANY**  
Pico Rivera, CA, USA  
(800) 543-3348 | FAX (562) 908-6360  
[www.feit.com](http://www.feit.com)

MODEL: DIM/TOGGLE/2

**FEIT**  
ELECTRIC

# TOGGLE DIMMER SWITCH

Works with  
incandescent, halogen, CFL  
and dimmable LEDs  
(Dimmer does not work with smart bulbs)



120 Volt • 60Hz  
600 Watt MAX incandescent  
200 Watt MAX dimmable LED

# Installing Dimmers



**NOTE:** FOR ALL THE STEPS BELOW IF YOU ARE NOT CERTAIN YOU HAVE THE WIRING DESCRIBED, CONSULT A QUALIFIED ELECTRICIAN FOR ASSISTANCE.

## 1 TURN POWER OFF

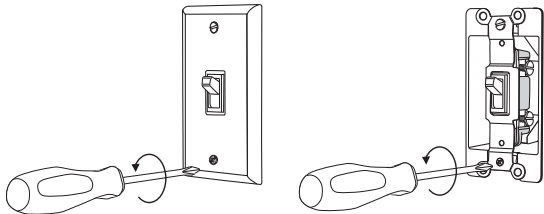
Turn power off at circuit breaker or remove fuse.



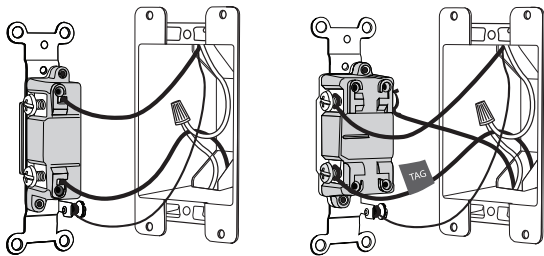
**WARNING:** SHOCK HAZARD. MAY RESULT IN SERIOUS INJURY OR DEATH. **TURN OFF POWER AT CIRCUIT BREAKER BEFORE INSTALLING DIMMER**

## 2 REMOVE EXISTING DIMMER OR SWITCH

Take off wall-plate and switch by removing mounting screws. Carefully pull out switch from wall (**do not remove wires**).



## 3 IDENTIFY THE TYPE OF CIRCUIT



### SINGLE-POLE:

If switch is wired with Black(hot) insulated wires connected to two screws of the same color.

**Go to Step 4a.**

### NOTE:

If you are not sure, contact a certified electrician.

### 3-WAY:

If switch is wired with insulated Black (HOT) wires and connected to three screws and one of these wires is connected to a screw of a different color (not green) or labeled COMMON, **mark or tag this wire to identify it when wiring.**

**Go to Step 4b.**

## 4 WIRE YOUR NEW DIMMER

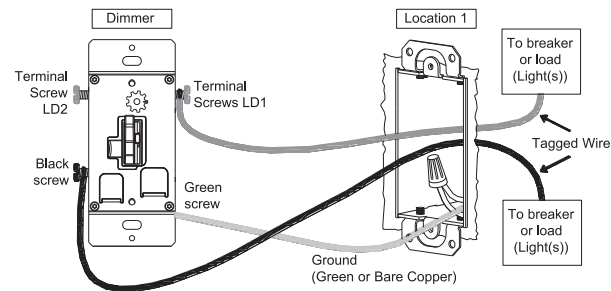
### 4a Single Pole Circuit



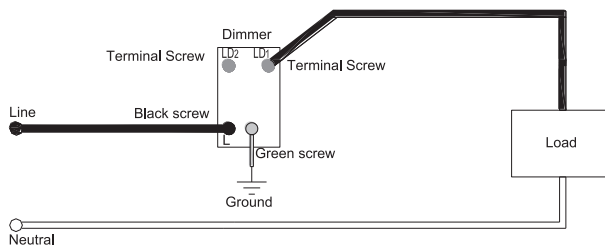
**NOTE:** You can connect the wire by either inserting it into the small round hole on the dimmer or by wrapping it around the screw and tightening it like below.



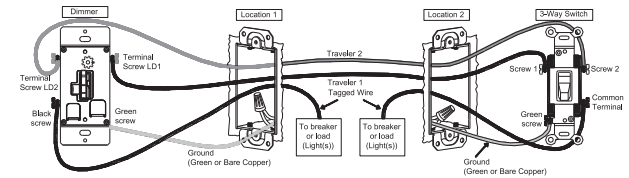
**NOTE:** Use a small tool to push into the rectangular slot to release the wire. Ensure the power is off before doing this.



- Connect the **green** wire from the wall-box to the green screw on the dimmer.
- Connect the **red** wire or load wire from the fixture to the etching Labeled LD1.
- Connect the **black** screw on the dimmer to the live wire terminal of the circuit breaker. Insert wire into the designated hole for a secure connection with etching labeled L.



### 4b 3-Way Circuit



### LOCATION 1 WIRING

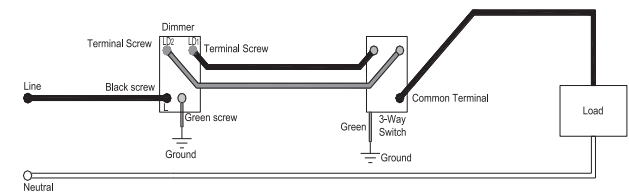
- Connect the **green** screw on the dimmer to the **green or bare copper** ground on the wall box.
- Connect the **black** screw on the dimmer to the tagged wire (the live wire of the circuit breaker or the load wire).
- Connect the Terminal (LD1) on the dimmer to Traveler 1.
- Connect the Terminal (LD2) on the dimmer to Traveler 2.

### LOCATION 2 WIRING

- Traveler 1 is connected to Screw 1 of the 3-way Switch.
- Traveler 2 is connected to Screw 2 of the 3-way Switch.
- The Common Terminal of the 3-way Switch is connected to live wire terminal of the circuit breaker or to the load wire.

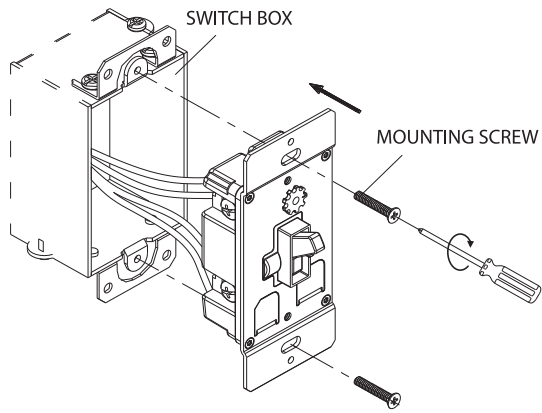
### IMPORTANT:

In a 3-WAY circuit, only one dimmer can be used



# Installing Dimmers Continued

## 5 INSERT DIMMER INSIDE THE SWITCH BOX



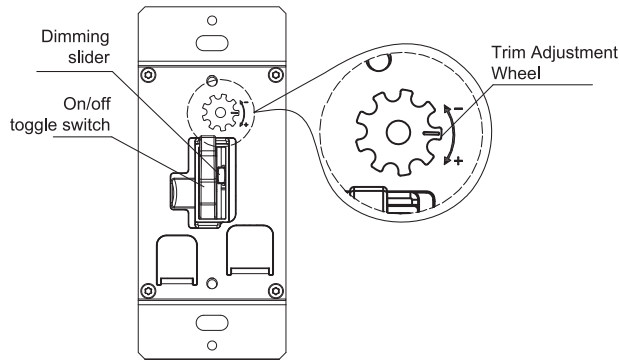
- Position all wires inside the switch box with care, leaving enough room to insert the dimmer housing.
- With the mounting screws provided, mount the dimmer securely inside the switch box.

## 6 TURN POWER ON

- Turn on the power at the circuit breaker. Try out your new dimmer and ensure it is operating correctly before proceeding.
- If you are not satisfied with the dimming range and light output of your bulbs, proceed to the next steps.

**NOTE:** Dimmable LEDs may not dim as low as incandescent or halogen bulbs. The dimming range of dimmable LEDs can vary depending on manufacturer. If your bulb do not dim to your satisfaction, especially the dimmer range and minimum brightness level, use the adjustment wheel found on your dimmer.

## 7 TESTING

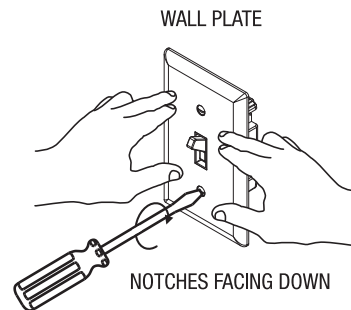


- Set the dimming slider to 30-50%. Flip the dimmer switch up and turn on the power. Ensure the light is on and stable. Move the dimming slider to the lowest position.
- Turn the adjustment trim wheel knob counterclockwise ("-") until you reach the desired minimum brightness. Ensure all lights controlled by the dimmer are stable and not flickering.
- Flip the dimmer switch down to turn off the power. After 1 second, flip the switch up to turn the power back on. Check that all lights are on and stable without flickering.
- If any lights do not turn on or the minimum brightness is not satisfactory, adjust the brightness trim knob clockwise ("+") to fine-tune. Ensure all lights are on and working properly, then repeat steps 2 and 3 if necessary.
- These settings ensure the lights turn on at the lowest brightness and respond immediately when switched on, maximizing the dimmer's effective adjustment range.

## 8 INSTALL WALL PLATE

Place the decorative wall plate over the installed dimmer then secure using the wall plate screws.

**NOTE:** DECORATIVE WALL INCLUDED



# Troubleshooting

PROBLEM	POSSIBLE CAUSE	SOLUTION
Lights flickering	Lamp has a bad connection	Reconnect and fix the wires
LED and CFL bulbs flicker at low end of the dimming range	Adjust the adjustment wheel	Turn up the minimum brightness value, see step 7 for details
Long stroke at the low end of dimmer	Long stroke at the low end of dimmer	Turn up the minimum brightness value, see step 7 for details
Light does not turn on	The circuit breaker has tripped	Turn power on
	The fuse burned out	Change the fuse
	The lamp burned out	Change the lamp
	The lamp neutral connection is not wired	Reconnect the lamp neutral