

Installation Guide

Undermounter Kit

K-5806, K-5807

M product numbers are for Mexico (i.e. K-12345**M**)
Los números de productos seguidos de
M corresponden a México (Ej.
K-12345**M**)
Français, page "Français-1"
Español, página "Español-1"

1032021-2-J

THE BOLD LOOK
OF **KOHLER**®

Thank You For Choosing Kohler Company

We appreciate your commitment to Kohler quality. Please take a few minutes to review this manual before you start installation. If you encounter any installation or performance problems, please don't hesitate to contact us. Our phone numbers and website are listed on the back cover. Thanks again for choosing Kohler Company.

Tools and Materials



Safety Glasses



Tape Measure



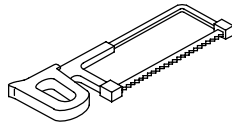
Pencil and Marker



Drill



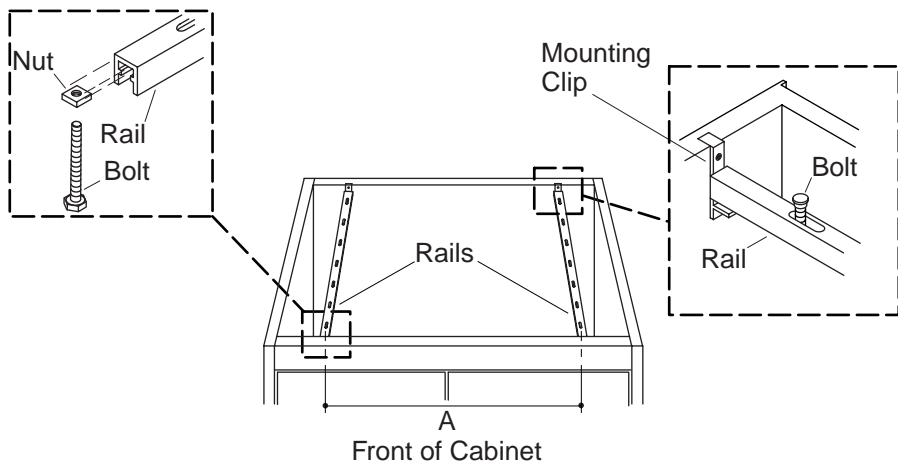
Phillips Screwdriver



Hacksaw

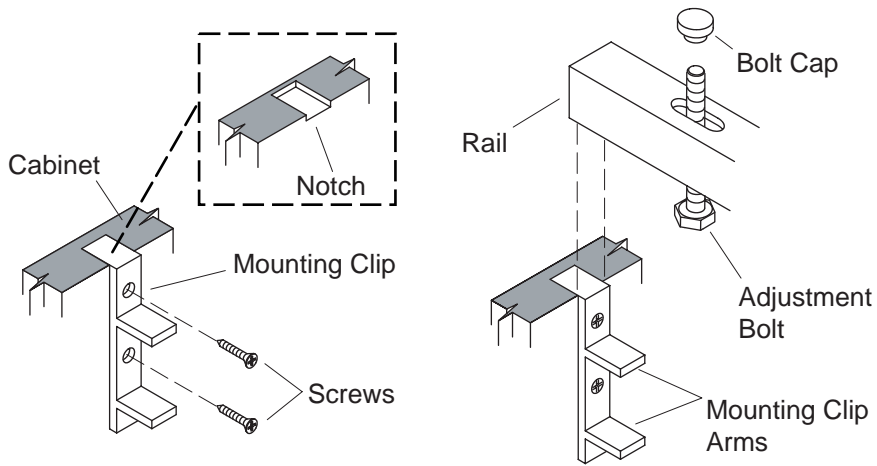
Before You Begin

- Observe all local plumbing and building codes.
- Remove the components from the carton and inspect them for damage.



1. Determine the Mounting Position

- Determine the front-to-back length of the inside of the cabinet.
- If necessary, cut the rails so they fit snugly with the cabinet walls. Rails may be up to 1/8" (3 mm) less than the determined length.
- Thread the bolts into the nuts two turns and then slide the nuts into the slot in the rails. Slide the nut and bolt into the position desired in the slots in the rails. Bolts should be located in the outermost slots that will be under the corners of the sink.
- With a tape measure, determine the overall width of your sink. This distance represents the distance between outside edges of the rails (A).
- Using a mounting clip as a template, mark the screw placement on the cabinet.
- Drill 1/8" (3 mm) starter holes where marked.



2. Complete the Installation

NOTE: Depending upon the cabinet style, you may need to notch the top of the cabinet frame for the mounting clips so they sit flush with the top of the cabinet.

- Thread screws through each mounting clip into the side of the cabinet.
- Lower the rail onto the mounting clips.
- Attach the bolt caps to the bolts.
- Carefully lower the sink onto the rails.
- Adjust the bolts to raise and level the sink until it is flush with the underside of the countertop.
- Complete the sink installation following the sink manufacturer's instructions.