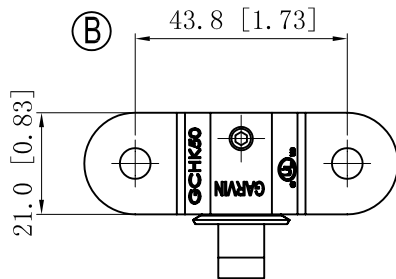
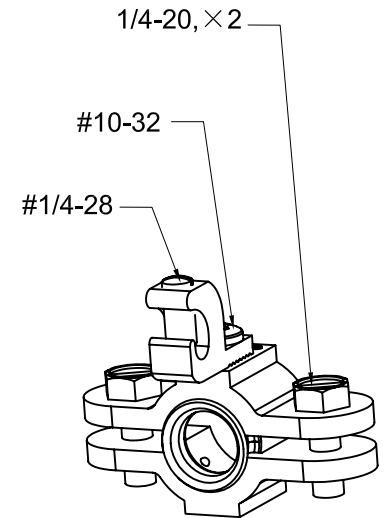
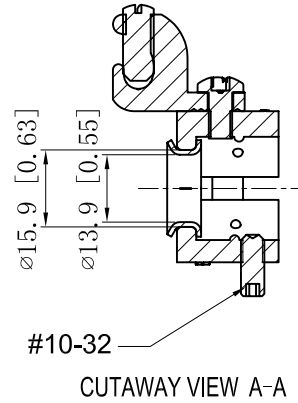
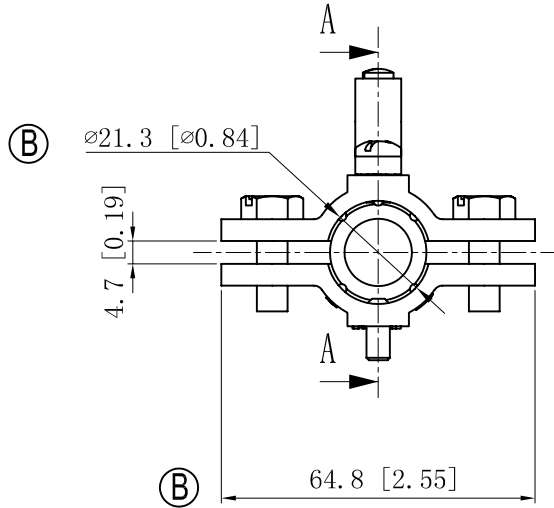
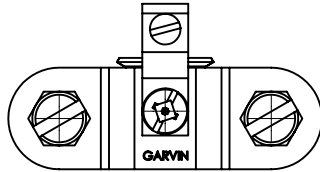
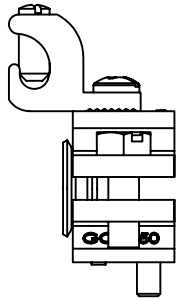


SIDES	BOTTOM
1 PCS 10-32×3/8 Screws Installed	
1 PCS 1/4-28×5/8 Screws Installed	
2 PCS 1/4-20×3/4 Screws Installed	
1 PCS #10-32×1/2 Set screws Installed	
1 Set split bushing pack in poly-bag	
Material: Zamak-ZAMAK 3	



This data sheet is for reference only .GARVIN INDUSTRIES reserves the right to make changes to the design without prior notice.

DESCRIPTION
Patent pending
TRADE REFERENCE TERMS

STANDARD PACKING
50 PCS

GARVIN INDUSTRIES		
GROUND CHOKE		
TITLE		
SIZE	DWG NO.	REV
A4	GCHK-50	E
DATA SHEET		