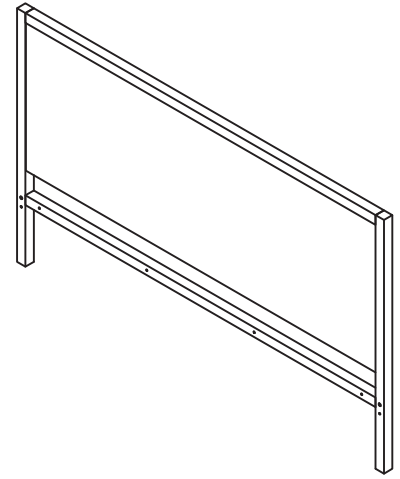


# Platform Bed



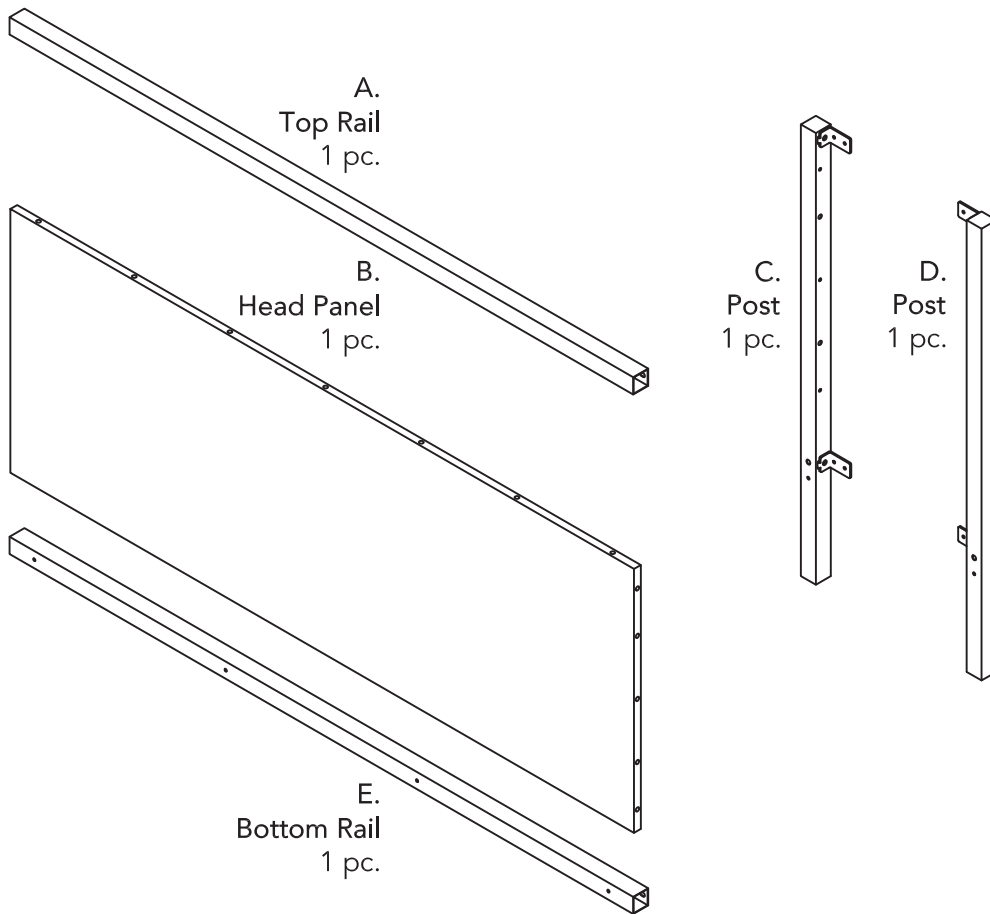
## IMPORTANT

Carefully remove all the parts from the carton and place them individually on a soft cloth to prevent scratches or other damage.

Carefully and strictly follow these assembly instructions to ensure a completed product as designed.

Do not use power tools above 8 volts to assemble.

## Part List



## Hardware List



Cam Lock  
10 pcs. (+2 extra)



Cam Lock Screw  
10 pcs. (+2 extra)



M6x15  
Head Cap Bolt (short)  
8 pcs. (+1 extra)



Spring Washer  
8 pcs. (+1 extra)



Dowel  
7 pcs. (+1 extra)



Hex Wrench  
1 pc.



Small  
Hex Wrench  
1 pc.

Tool(s) required for assembly: Phillips screwdriver

homestyles Customer Service: [www.homestylesfurniture.com](http://www.homestylesfurniture.com),  
[servicedesk@homestylesfurniture.com](mailto:servicedesk@homestylesfurniture.com), 888-680-7460

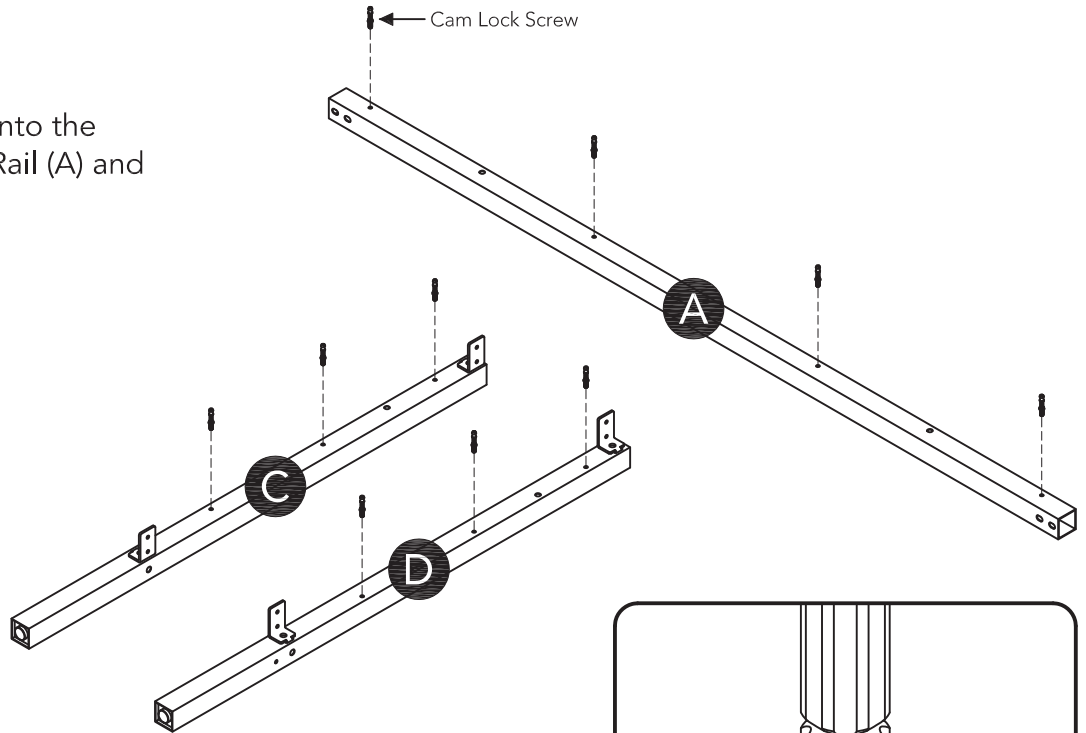
## Assembly Instructions 2/3

### IMPORTANT

- Use a soft cloth between these parts and the floor.
- Do not use power tools above 8 volts to assemble.
- Do not tighten all the bolts until each part is properly assembled.
- The unit must be level to work properly. Use the included adjustable levelers to level.
- Keep Hex Wrench as the bolts may need to be tightened in the future.

### STEP 1

Insert Cam Lock Screws into the pre-drilled holes in Top Rail (A) and Posts (C), (D).



### STEP 2

Attach Top Rail (A) to Head Panel (B) with Dowels and Cam Locks.  
(See Figure 1)

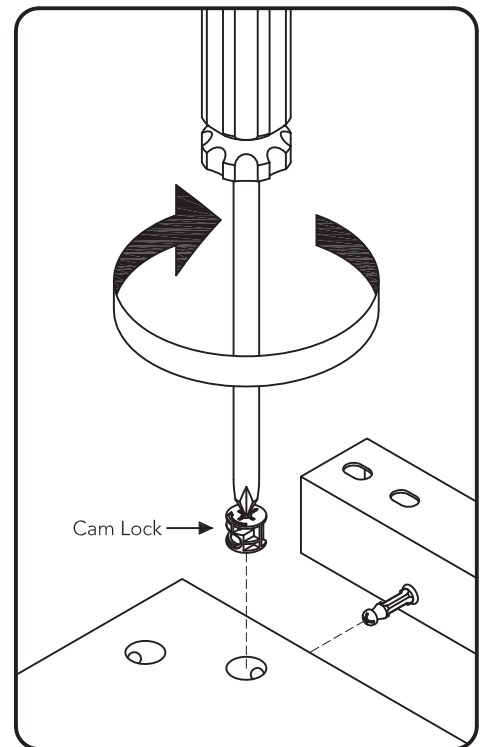
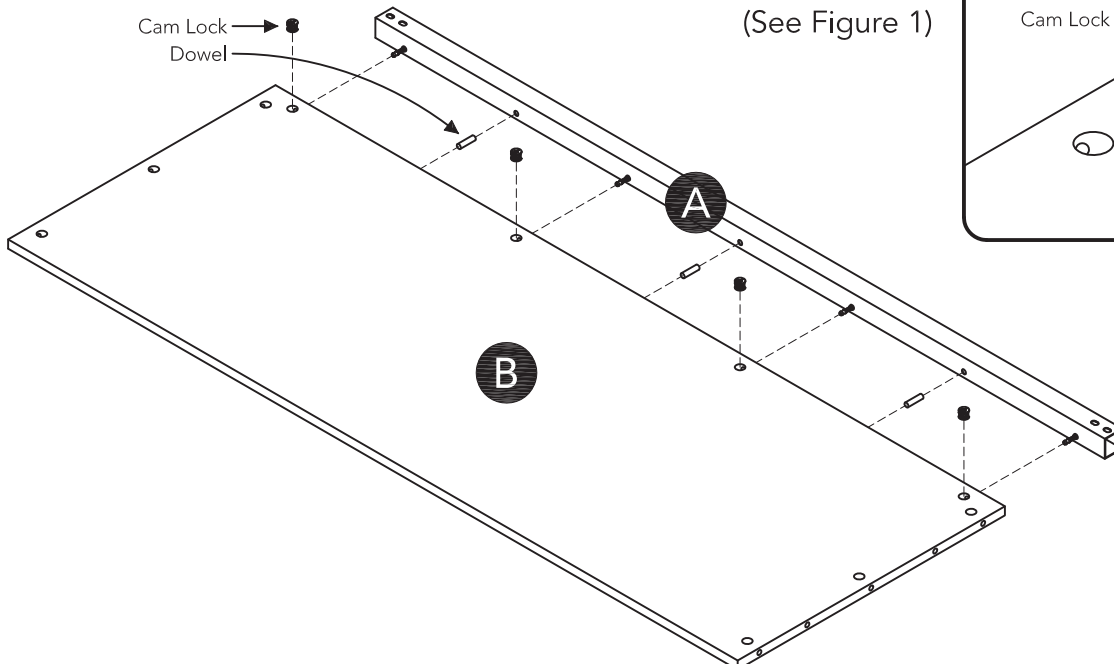
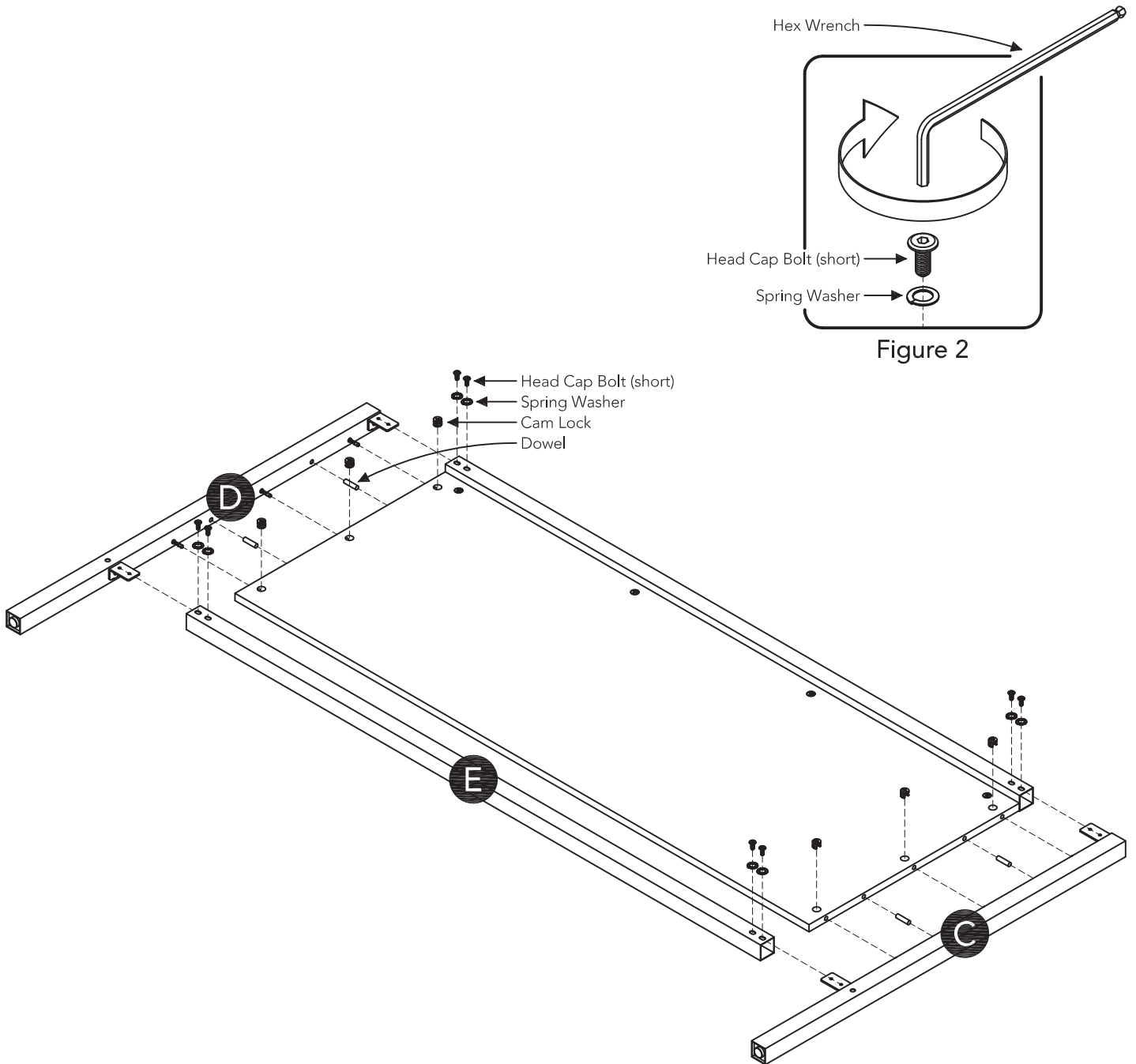


Figure 1

## Assembly Instructions 3/3



### STEP 3

Attach Post (C) to unit with Dowels, Cam Locks, Head Cap Bolts (short) and Spring Washers.

Attach Bottom Rail (E) to unit with Head Cap Bolts (short) and Spring Washers.

Attach Post (D) to unit with Dowels, Cam Locks, Head Cap Bolts (short) and Spring Washers.

Tighten all bolts with Hex Wrench. (See Figure 2)

To complete assembly see instructions in carton 5450-502.

# CARE INSTRUCTIONS

## NEVER

allow liquids to remain on furniture.  
Absorption causes parts to warp  
and split and finishes to delaminate.

## NEVER

use glass cleaners on  
finished furniture. Ammonia  
chemically attacks the finish.



Do not use power tools  
above 8 volts to assemble.

**PREVENT  
CRACKING**



Do not place  
in direct sunlight.

**PREVENT  
FADING**



Do not write  
directly on surface.

**PREVENT  
MARKING**



Do not place hot  
objects on surface.

**PREVENT  
FINISH DAMAGE**



Do not use rubber  
based placemats.

**PREVENT  
DISCOLORING**



Do not use commercial  
waxes and polishes.

**PREVENT  
YELLOWING**

## CLEAN

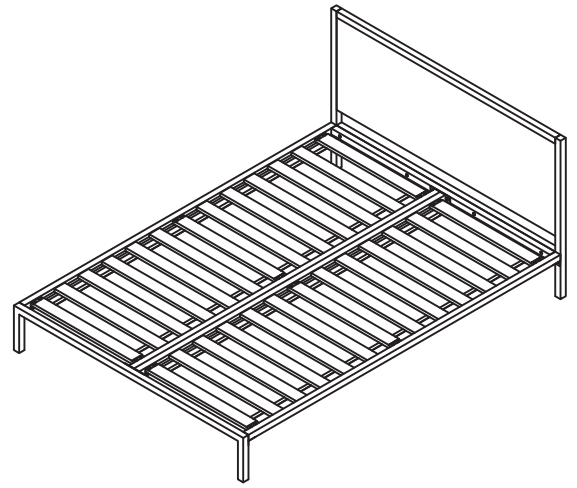
with a soft cloth moistened  
in lukewarm soap and water.  
Buff with a dry clean cloth.



**homestyles** will provide replacements free of charge for missing or damaged parts within 30 days of purchase. Digital images of the defective parts may be required. If the product was not purchased from an authorized retailer, **homestyles** is under no obligation to provide replacement parts. Parts are not available for fully assembled items nor are parts available for sale. Replacements for missing or damaged parts may be requested via contact info below.

**homestyles** Customer Service: [www.homestylesfurniture.com](http://www.homestylesfurniture.com),  
[servicedesk@homestylesfurniture.com](mailto:servicedesk@homestylesfurniture.com), 888-680-7460

# Platform Bed



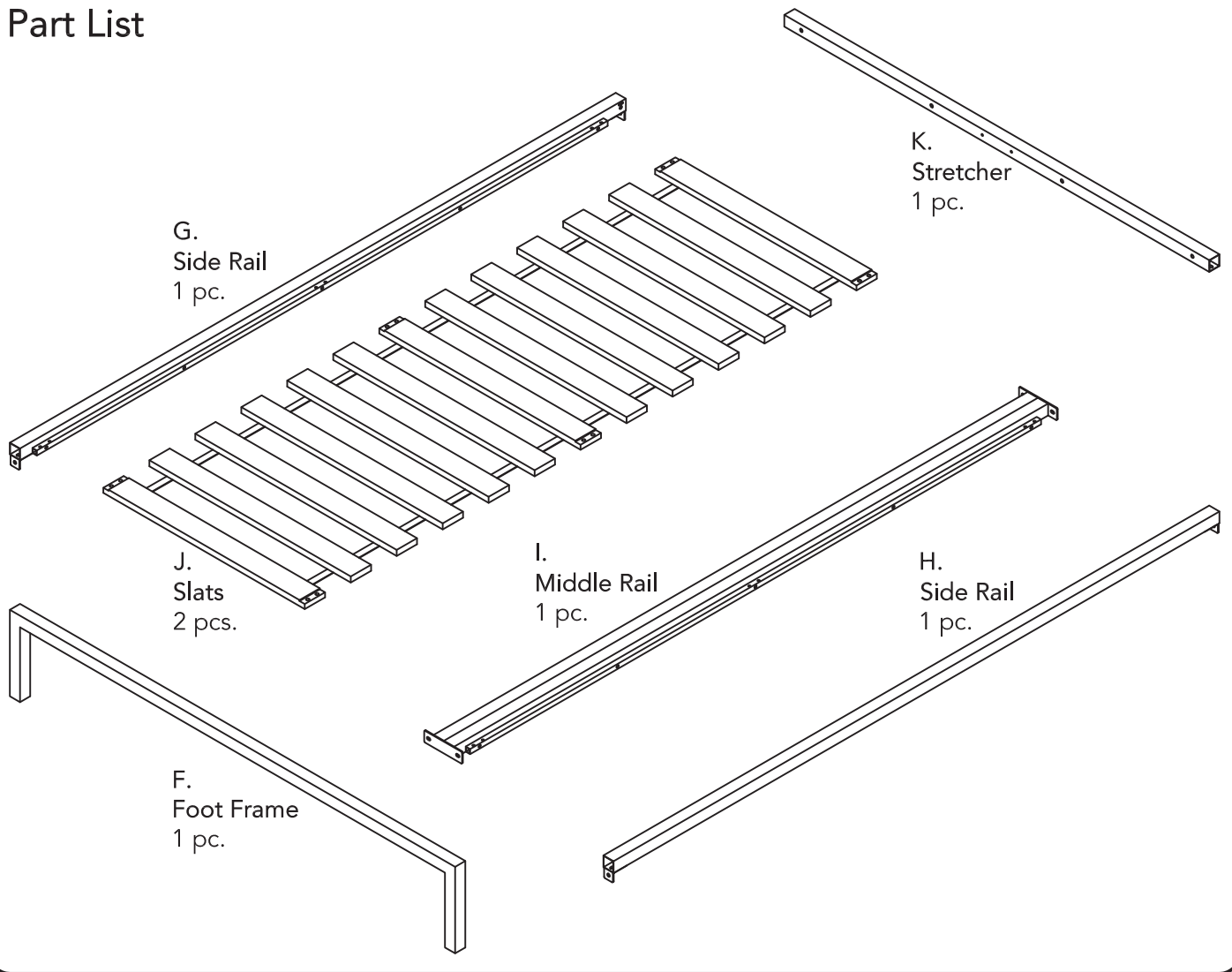
## IMPORTANT

Carefully remove all the parts from the carton and place them individually on a soft cloth to prevent scratches or other damage.

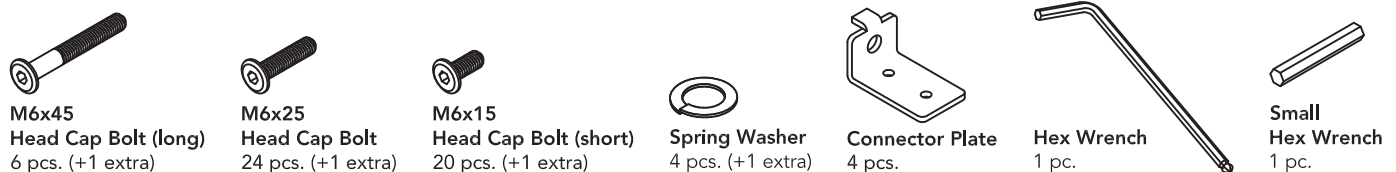
Carefully and strictly follow these assembly instructions to ensure a completed product as designed.

Do not use power tools above 8 volts to assemble.

## Part List



## Hardware List



Tool(s) required for assembly: Level

homestyles Customer Service: [www.homestylesfurniture.com](http://www.homestylesfurniture.com),  
[servicedesk@homestylesfurniture.com](mailto:servicedesk@homestylesfurniture.com), 888-680-7460

## Assembly Instructions 2/5

### IMPORTANT

- Use a soft cloth between these parts and the floor.
- Do not use power tools above 8 volts to assemble.
- Do not tighten all the bolts until each part is properly assembled.
- The unit must be level to work properly. Use the included adjustable levelers to level.
- Keep Hex Wrench as the bolts may need to be tightened in the future.
- Do not slide bed on floor. To move assembled bed requires two people. Remove any bedding, then lift and carry bed.

Follow instructions in carton 5450-501 first, then proceed with Step 4.

### STEP 4

Attach Connector Plates to Foot Frame (F) and Side Rails (G), (H) with Head Cap Bolts (short).

Tighten bolts with Hex Wrench.  
(See Figure 3)

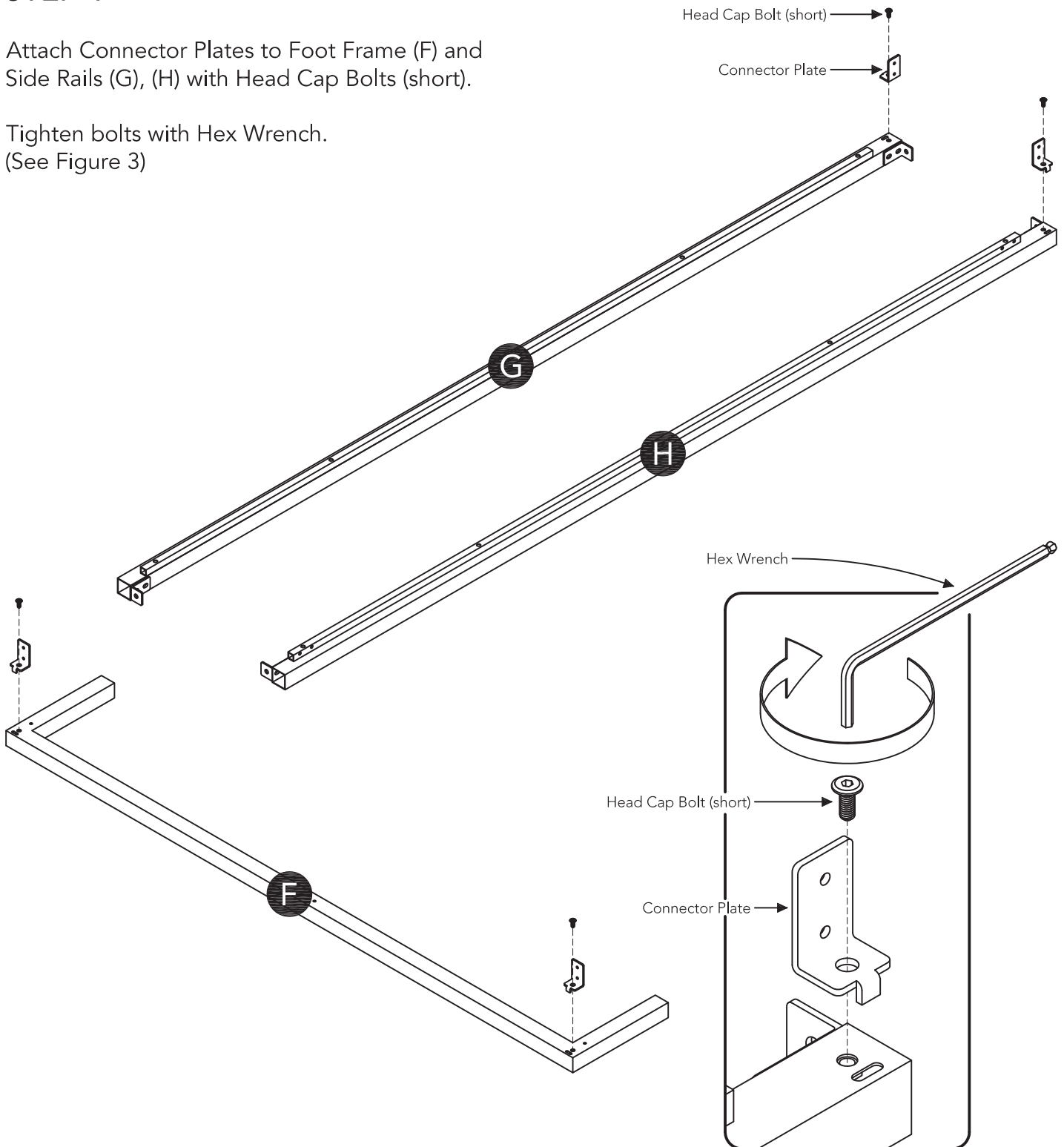


Figure 3

# Assembly Instructions 3/5

## STEP 5

Attach Side Rails (G), (H) and Middle Rail (I) to Stretcher (K) with Head Cap Bolts (short) and Spring Washers, tightening bolts only halfway. (See Figure 4)

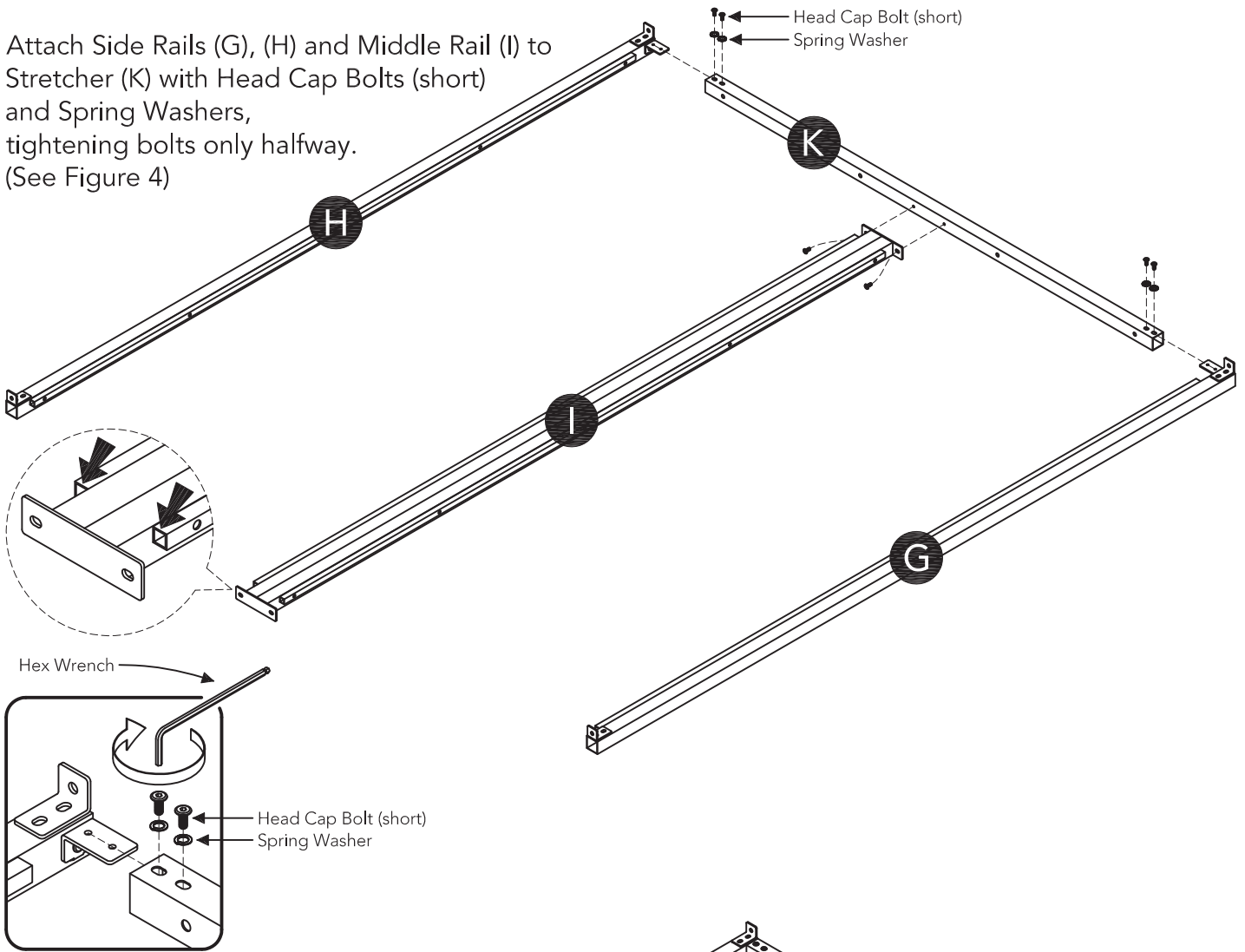
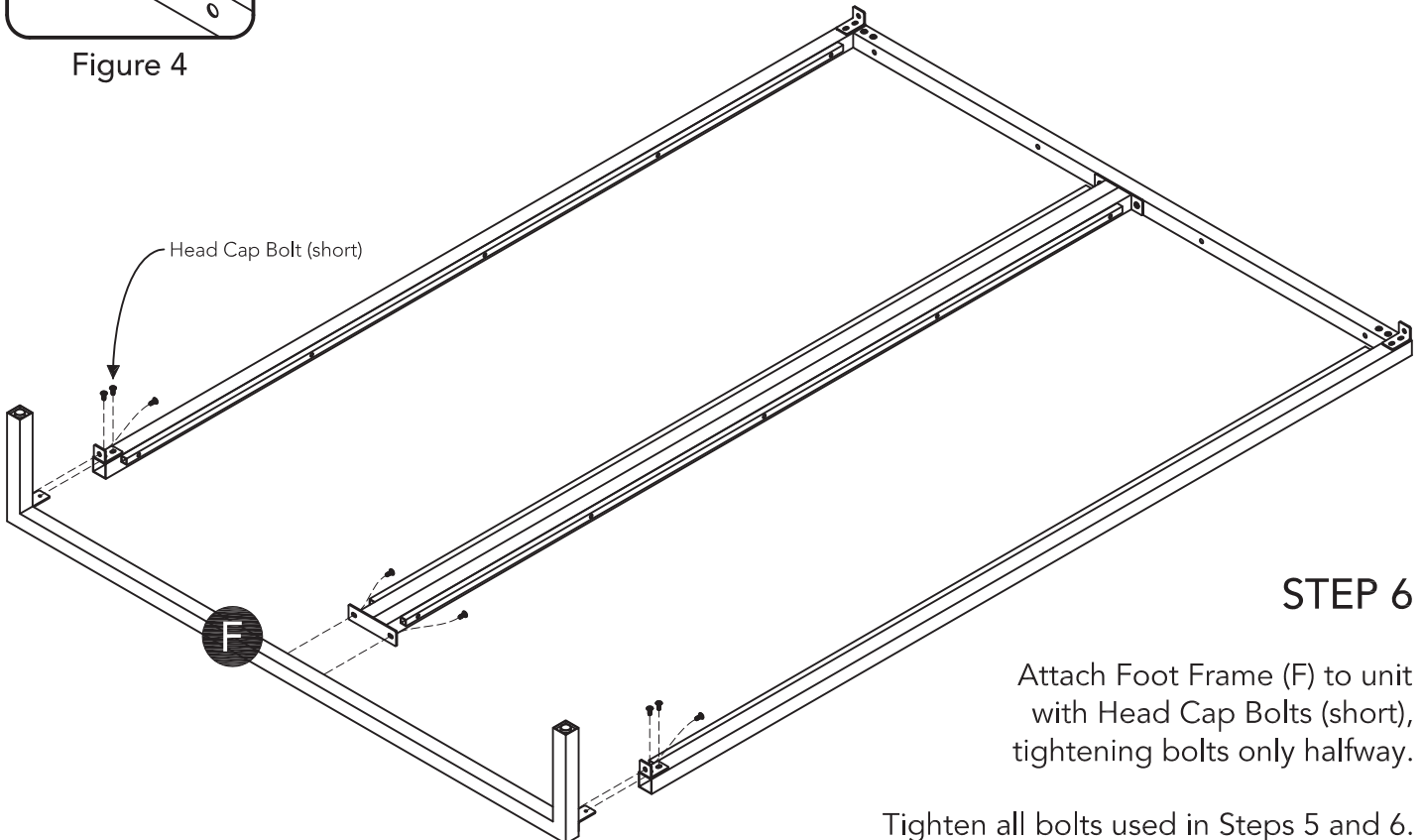


Figure 4



## STEP 6

Attach Foot Frame (F) to unit with Head Cap Bolts (short), tightening bolts only halfway.

Tighten all bolts used in Steps 5 and 6.

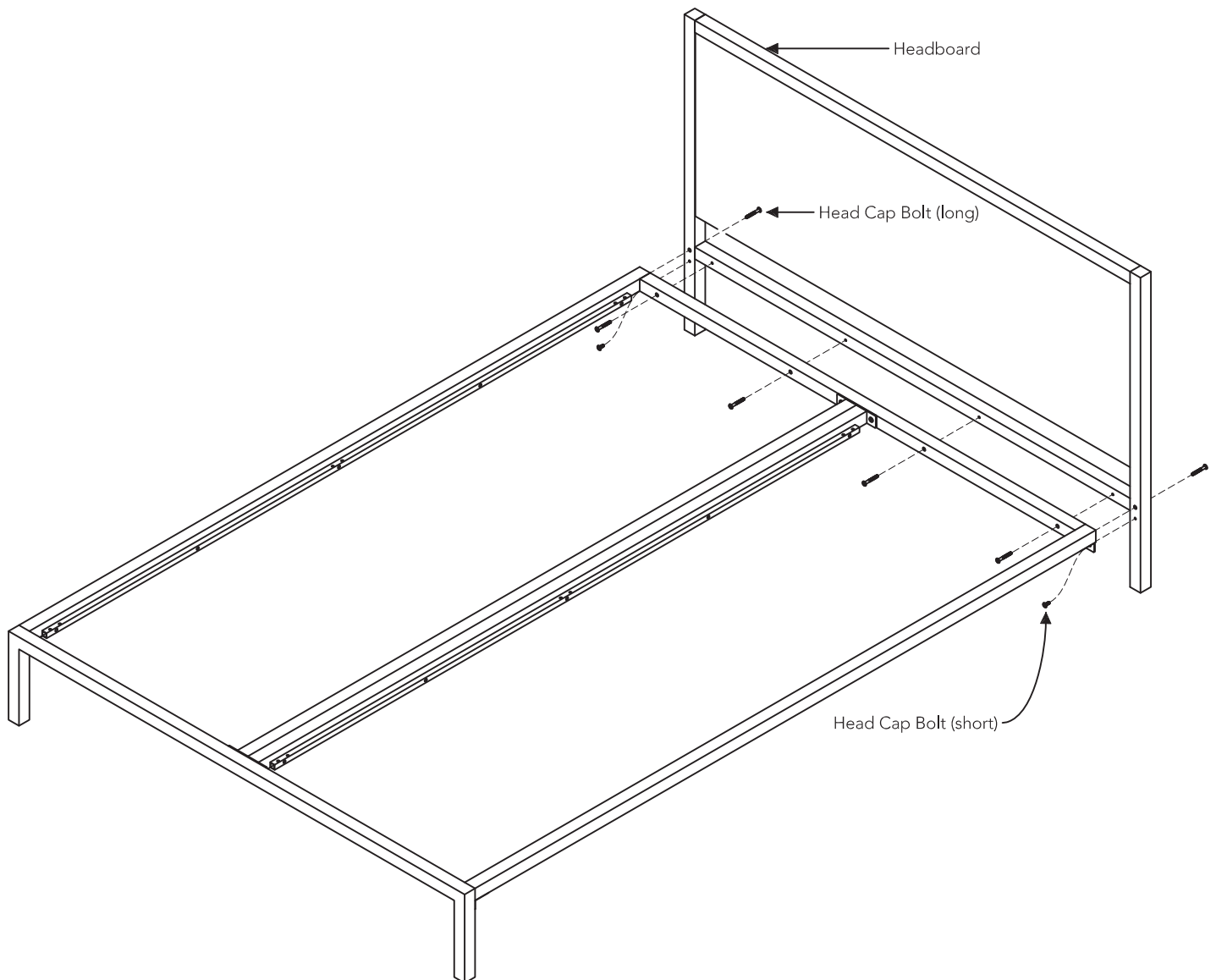
## Assembly Instructions 4/5

### STEP 7

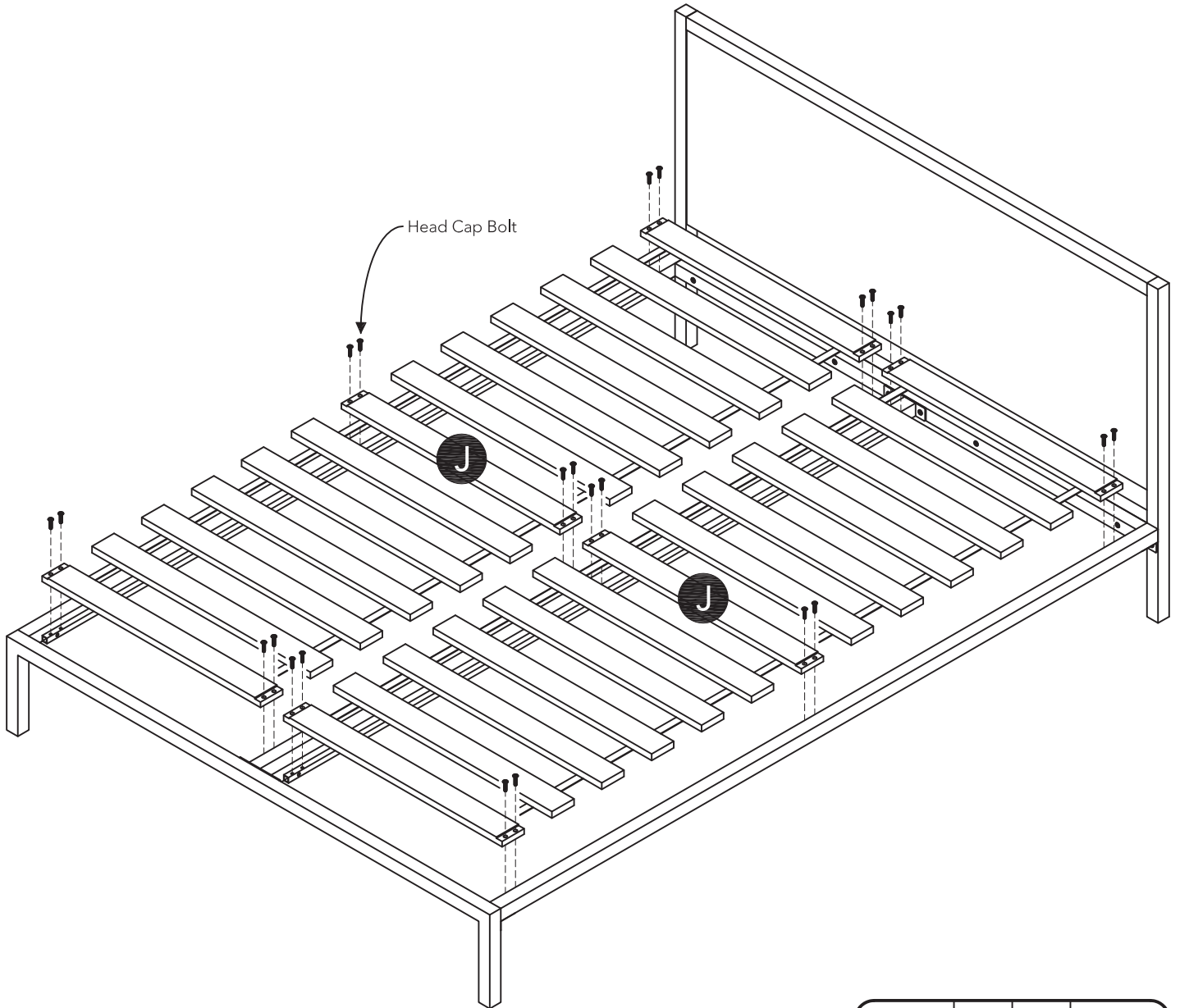
Turn unit over to its upright position.

Attach headboard to unit with Head Cap Bolts (long) and Head Cap Bolts (short), tightening bolts only halfway.

Tighten all bolts with Hex Wrench.







## STEP 8

Attach Slats (J) to unit with Head Cap Bolts.

Tighten all bolts with Hex Wrench.

Level unit by adjusting the adjustable levelers on bottom of unit. (See Figure 5)

Note: Do not slide bed on floor. To move assembled bed requires two people. Remove any bedding, then lift and carry bed.

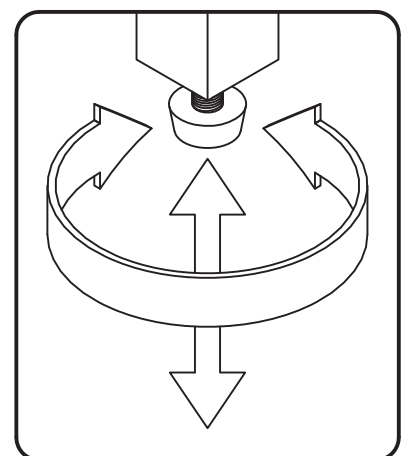


Figure 5

# CARE INSTRUCTIONS

## NEVER

allow liquids to remain on furniture.  
Absorption causes parts to warp  
and split and finishes to delaminate.

## NEVER

use glass cleaners on  
finished furniture. Ammonia  
chemically attacks the finish.



Do not use power tools  
above 8 volts to assemble.

**PREVENT  
CRACKING**



Do not place  
in direct sunlight.

**PREVENT  
FADING**



Do not write  
directly on surface.

**PREVENT  
MARKING**



Do not place hot  
objects on surface.

**PREVENT  
FINISH DAMAGE**



Do not use rubber  
based placemats.

**PREVENT  
DISCOLORING**



Do not use commercial  
waxes and polishes.

**PREVENT  
YELLOWING**

## CLEAN

with a soft cloth moistened  
in lukewarm soap and water.  
Buff with a dry clean cloth.



**homestyles** will provide replacements free of charge for missing or damaged parts within 30 days of purchase. Digital images of the defective parts may be required. If the product was not purchased from an authorized retailer, **homestyles** is under no obligation to provide replacement parts. Parts are not available for fully assembled items nor are parts available for sale. Replacements for missing or damaged parts may be requested via contact info below.

**homestyles** Customer Service: [www.homestylesfurniture.com](http://www.homestylesfurniture.com),  
[servicedesk@homestylesfurniture.com](mailto:servicedesk@homestylesfurniture.com), 888-680-7460