

ASSEMBLY INSTRUCTION

Item: 6900-90867-04 6/0 -6/6 Low HeadBoard
 6900-90868-04 6/0 Panel Footboard
 6900-90853-88 6/0-6/6 Rails




Thank you for purchasing this quality product. Be sure to unpack carefully looking for small parts which may have come loose during shipment.

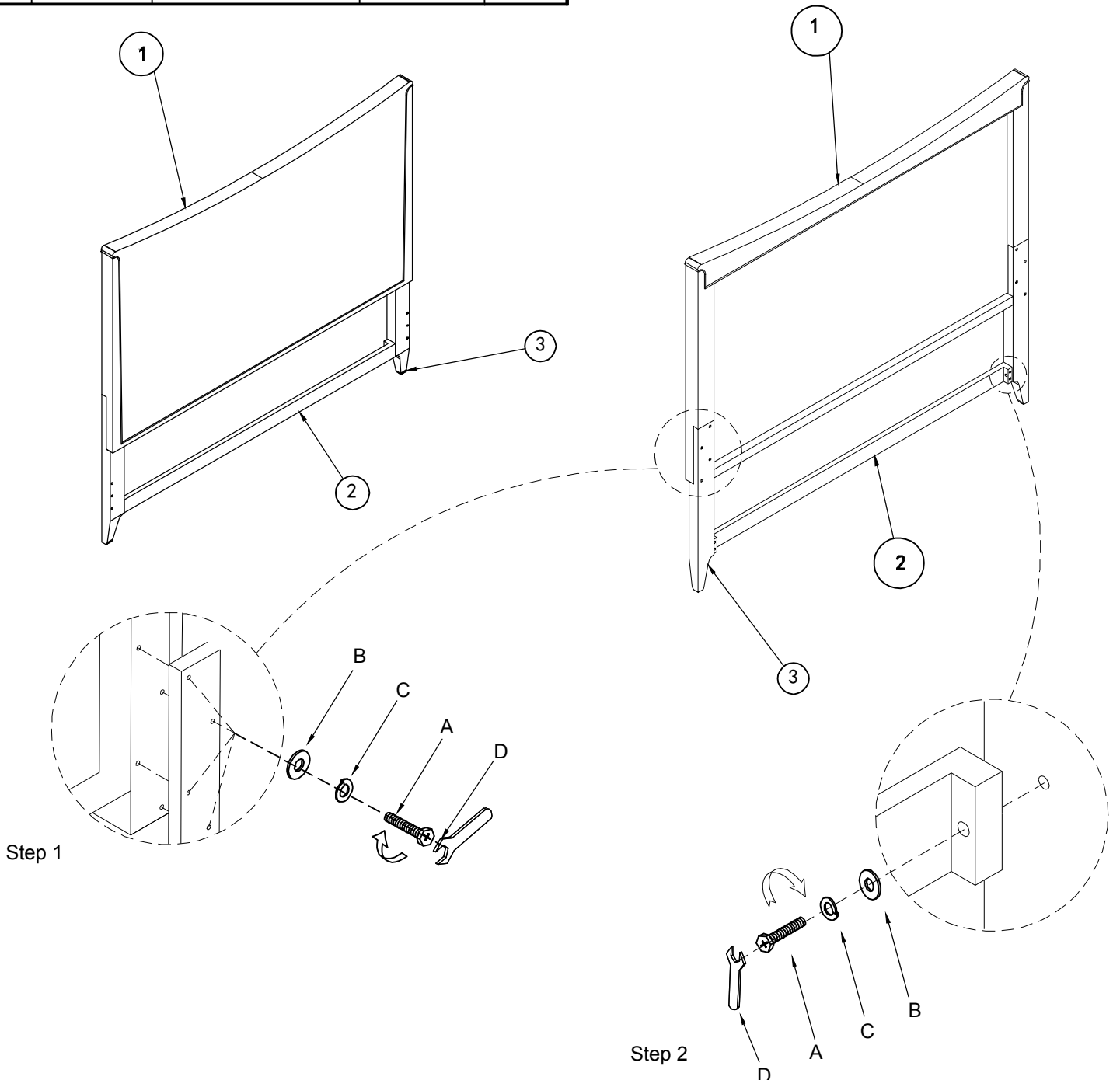
Read all instruction and study the drawing carefully before starting the assembly process.

HARDWARE PACK OF HEAD BOARD

NO.	DRAWING	DESCRIPTION	SIZE	QTY
A		Bolt	5/16"x2"	10pcs
B		Flat washer	5/16"x19x2	10pcs
C		Lock washer	5/16"x12x3	10pcs
D		Hex wrench	12mm	1pc

PART LIST

NO.	DRAWING	DESCRIPTION	QTY
①		Headboard	1pc
②		Stretchers	1pc
③		Leg	2pcs



ASSEMBLY INSTRUCTION

Item : 6900-90867-04 6/0 -6/6 Low HeadBoard
 6900-90868-04 6/0 Panel Footboard
 6900-90853-88 6/0-6/6 Rails






Thank you for purchasing this quality product. Be sure to unpack carefully looking for small parts which may have come loose during shipment.

Read all instruction and study the drawing carefully before starting the assembly process.

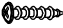
HARDWARE PACK OF RAILS

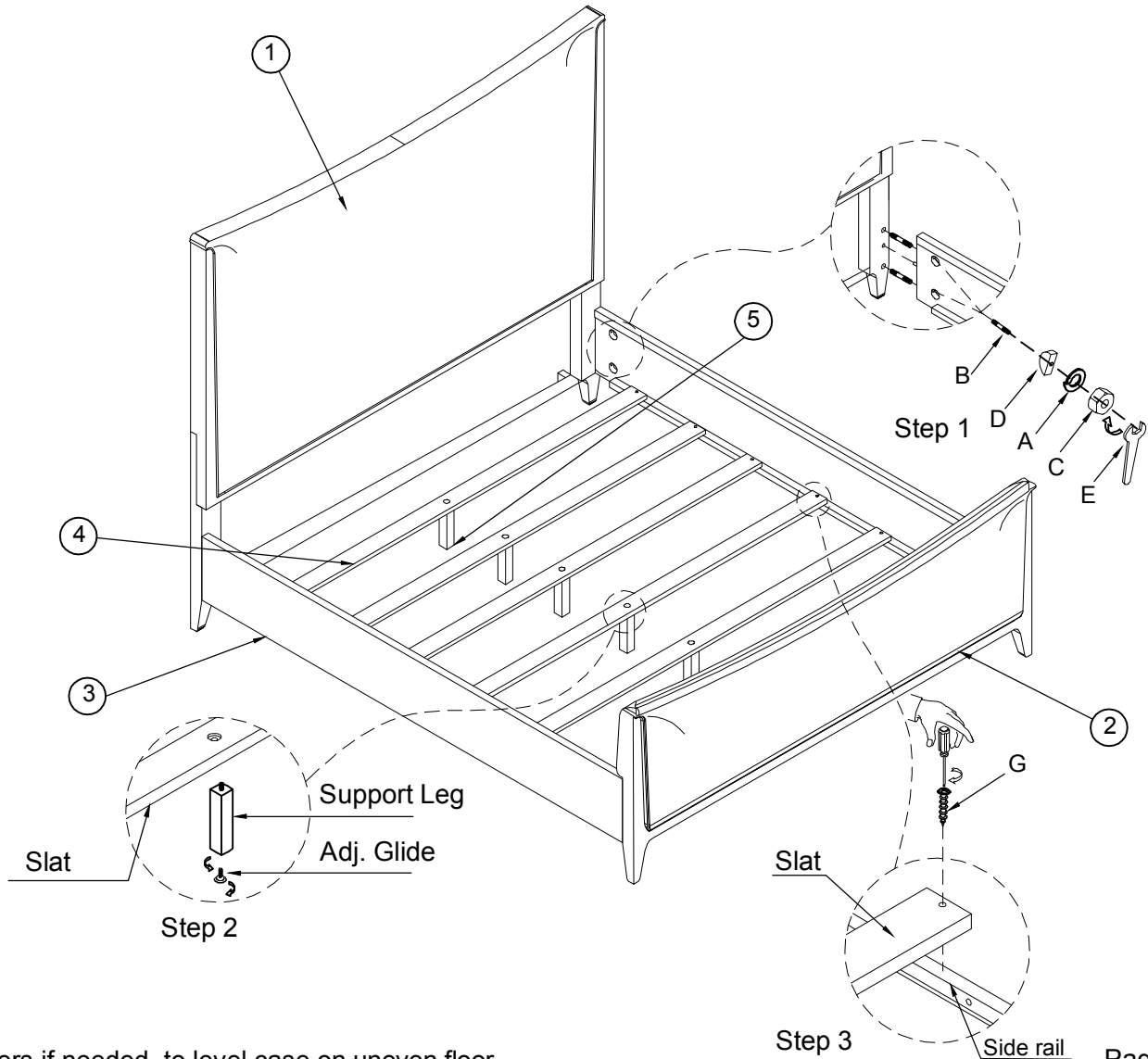
NO.	DRAWING	DESCRIPTION	SIZE	QTY
A		Lock washer	5/16"x12x3	8pcs
B		Threaded rod	5/16"x4-1/2"	8pcs
C		Nut	5/16"x12	8pcs
D		Curved washer	L32x13x8	8pcs
E		Hex wrench	12mm	1pc

PART LIST

NO.	DRAWING	DESCRIPTION	QTY
①		Headboard	1pc
②		Footboard	1pc
③		Bed rails	2pcs
④		Wood slat	5pcs
⑤		Slat support leg	5pcs

HARDWARE PACK OF FOOTBOARD

NO.	DRAWING	DESCRIPTION	SIZE	QTY
G		Screw	8#x1"	10pcs



Adjust levelers if needed, to level case on uneven floor