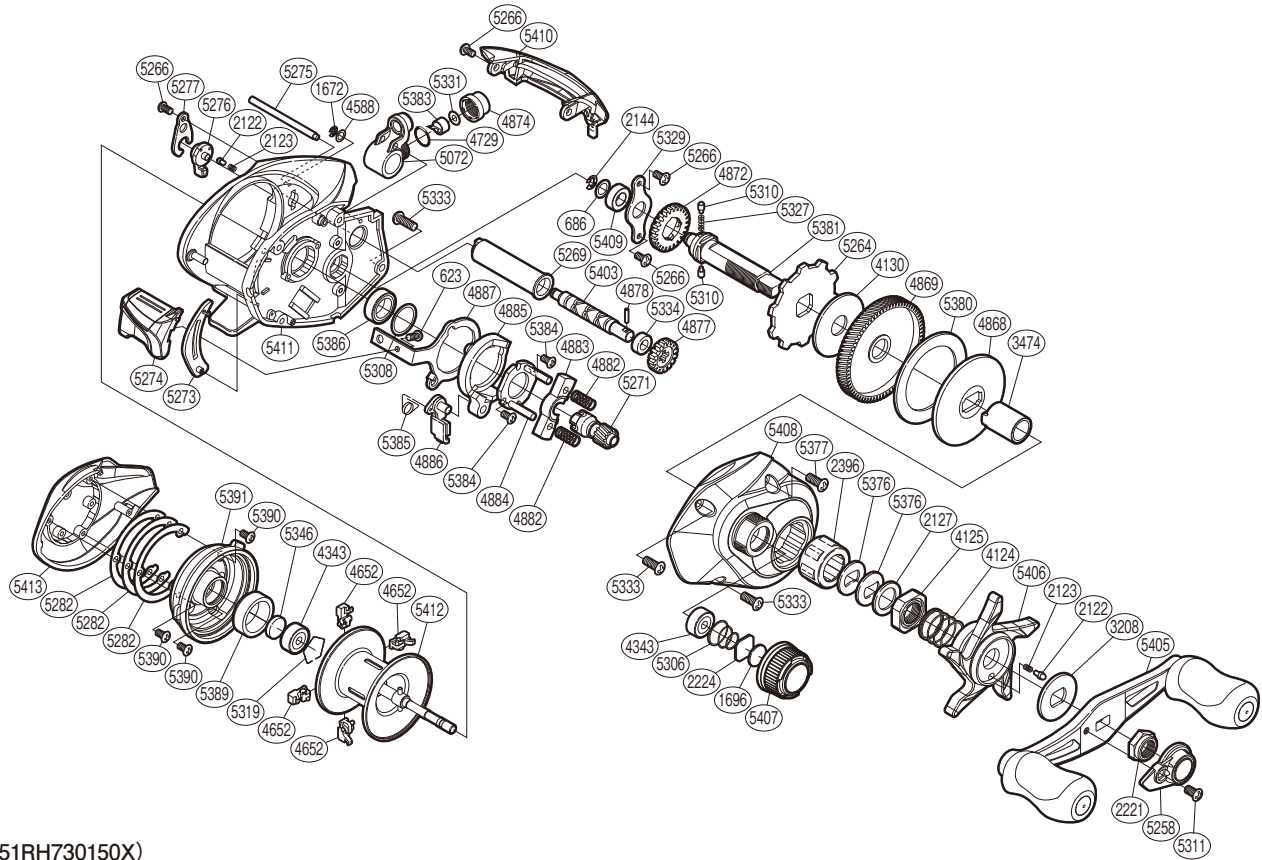


SHIMANO

CAJUS

CIS-150A



(51RH730150X)

#	Part No.	Description	#	Part No.	Description	#	Part No.	Description
623	103C0	Screw	4882	10487	Yoke Spring	5333	10LFK	Screw
686	105NK	E Lock	4883	1046V	Yoke	5334	10PXZ	Bushing
1672	105NC	E Lock	4884	10F3X	Clutch Cam Retainer	5346	10EX5	Spacer B
1696	10896	Cast Control Spacer (B)	4885	10K0N	Clutch Cam	5376	109F5	Drag Spring Washer
2122	10BT0	Click Pin	4886	10MME	Clutch Pawl	5377	10LSZ	Screw
2123	10BT2	Click Spring	4887	10QGH	Clutch Plate	5380	10R3D	Drag Washer
2127	10J1N	Star Drag Spacer	5072	10NVR	Line Guide	5381	10R0B	Drive Shaft
2144	10C47	Drive Shaft Washer	5258	10Q5U	Handle Nut Plate	5383	10BHQ	Line Guide Pawl
2221	10FNQ	Handle Nut	5264	10D73	Anti-Reverse Ratchet	5384	10L1R	Screw
2224	1085F	Spool Tension Spacer (A)	5266	10R1R	Screw	5385	104CP	Clutch Pawl Spring
2396	10F5C	Roller Clutch Bearing	5269	10NFX	Level Wind Guard	5386	10EX6	Ball Bearing
3208	10J22	Star Drag Click Plate	5271	10CSA	Pinion Gear	5389	10R0N	Brake Ring
3474	10MAY	Roller Clutch Inner Tube	5273	10975	Clutch Bar Guide	5390	10LA4	Screw
4124	10A70	Star Drag Spring	5274	10CDR	Clutch Lever	5391	10R0P	Dial Case
4125	10A07	Star Drag Nut	5275	10QSH	Stabilizer Bar	5403	10TPN	Worm Shaft
4130	10CHX	Drag Washer	5276	10BAY	Side Plate Cam Lever	5405	101XX	Handle Assembly
4343	105C3	Ball Bearing	5277	10BGR	Cam Lever Retainer	5406	10DQM	Star Drag
4588	10FJZ	Washer	5282	108F0	Washer	5407	10DQE	Cast Control Cap
4652	1046G	Brake Shoe M	5306	10TMT	Spool Tension Spring	5408	10DQD	Right Side Plate
4729	108WQ	O Ring	5308	10190	Washer	5409	10DQF	Drive Shaft Bushing
4868	10D3H	Key Washer	5310	10HJG	Idle Gear Pin	5410	10DM2	Level Wind Protector
4869	10CMB	Drive Gear	5311	10LFC	Screw	5411	101ZS	Frame
4872	10J47	Idle Gear	5319	1054D	Bearing Retainer	5412	101XU	Spool Assembly
4874	10FJB	Pawl Cap	5327	10JDY	Idle Gear Spring	5413	10DM0	Left Side Plate
4877	10FNV	Idle Gear	5329	109T1	Drive Shaft Retainer			
4878	10AEZ	Worm Shaft Pin	5331	104TX	Spacer	4692	10LQ0	B-100 Oil (accessory)

Please note that the number of adjusting washers may not be the same as shown in the exploded views.
(Adjustment will vary with each individual product.)

(241029)_004