

SPECIFICATIONS

DESCRIPTION

- G½ inlet female
- Swivel
- Scale-free
- Stainless steel

FLOW

- 7.6 L/min, 2.0 gpm (US) 60psi
- 5.69 L/min, 1.5 gpm (US) 60psi (495-15)
- 6.6L/min, 1.75 gpm (US) 60psi (495-WS) *

EPA certification applicable to the indicated model only

STANDARDS

- ASME A112.18.1 / CSA B125.1

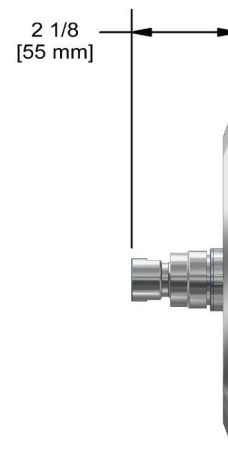
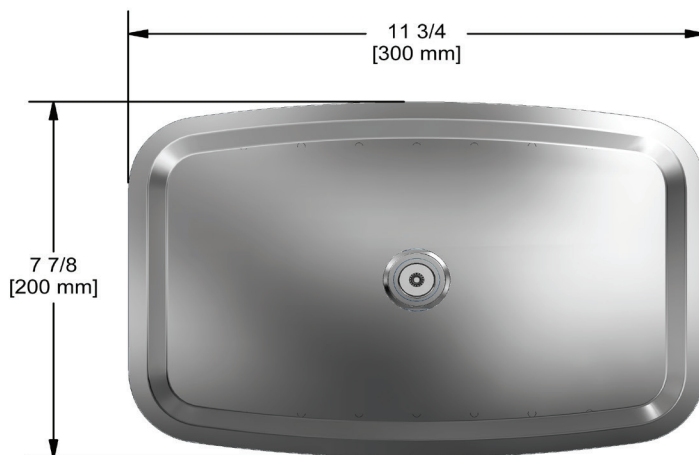
WARRANTY

- Most products or parts carry "Limited Warranties" against manufacturing defects. For US customers please visit houseofrohl.com/support and for Canadian customers please visit houseofrohl.ca/support for complete product and finish warranty.



20 cm X 30 cm (8" x 12") rectangular shower head

MODELS: 495



For warranty or additional information, contact:

US Customers

U.S.A.
houseofrohl.com/support
1-800-777-9762

QUEBEC / MARITIMES / WESTERN CANADA
QUÉBEC / MARITIMES / OUEST CANADIEN
QUEBEC / MARITIMOS / CANADA OCCIDENTAL
houseofrohl.ca/support
1-866-473-8442

Canadian Customers

ONTARIO
houseofrohl.ca/support
1-800-287-5354

SPÉCIFICATIONS

DESCRIPTION

- Entrée d'eau G½ femelle
- Joint à rotule
- Anticalcaire
- Acier inoxydable

DÉBITS DISPONIBLES

- 7.6 L/min, 2.0 gpm (US) 60psi
- 5.69 L/min, 1.5 gpm (US) 60psi (495-15)
- 6.6L/min, 1.75 gpm (US) 60psi (495-WS) *

EPA certification applicable to the indicated model only

CERTIFICATIONS

- ASME A112.18.1 / CSA B125.1

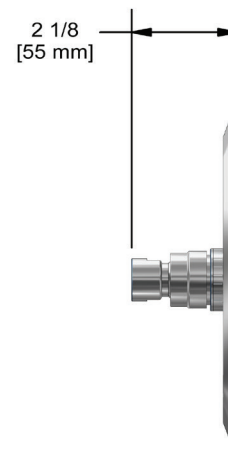
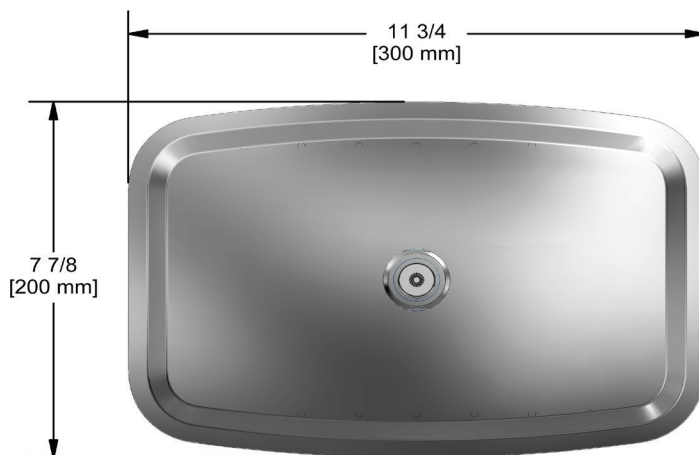
GARANTIE

- La plupart des produits ou pièces comprend des «garanties limitées» contre les défauts de fabrication. Pour les clients des États-Unis: veuillez consulter houseofrohl.com/support; Pour les clients du Canada : veuillez consulter houseofrohl.ca/support pour connaître les conditions complètes de la garantie des produits et finis.



Tête de douche rectangulaire 20 cm X 30 cm (8" x 12")

MODÈLES : 495



For warranty or additional information, contact:

US Customers

U.S.A.
houseofrohl.com/support
1-800-777-9762

QUEBEC / MARITIMES / WESTERN CANADA
QUÉBEC / MARITIMES / OUEST CANADIEN
QUEBEC / MARITIMOS / CANADA OCCIDENTAL
houseofrohl.ca/support
1-866-473-8442

Canadian Customers

ONTARIO
houseofrohl.ca/support
1-800-287-5354

ESPECIFICACIONES

DESCRIPCIÓN

- Entrada G1/2 hembra
- Orientable
- Anticalcárea
- Acero inoxidable

FLUJO

- 7.6 L/min, 2.0 gpm (US) 60psi
- 5.69 L/min, 1.5 gpm (US) 60psi (495-15)
- 6.6L/min, 1.75 gpm (US) 60psi (495-WS) *

EPA certification applicable to the indicated model only

ESTÁNDARES

- ASME A112.18.1 / CSA B125.1

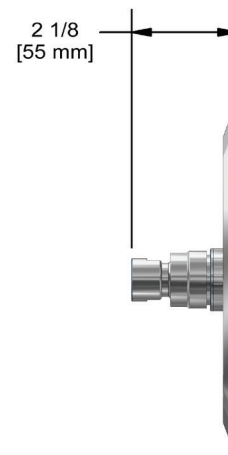
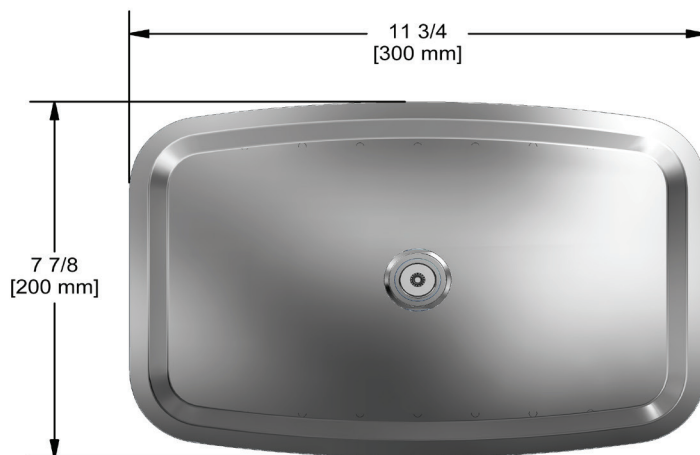
GARANTÍA

- La mayoría de los productos o piezas cuentan con "Garantías Limitadas" por defectos de fabricación. A los clientes en EE. UU. se les recomienda visitar houseofrohl.com/support y a los clientes en Canadá, houseofrohl.ca/support, para consultar las condiciones completas de la garantía de los productos y acabados.



Regadera de ducha rectangular de 20 cm X 30 cm
(8" x 12")

MODELOS: 495



For warranty or additional information, contact:

US Customers

U.S.A.
houseofrohl.com/support
1-800-777-9762

QUEBEC / MARITIMES / WESTERN CANADA
QUÉBEC / MARITIMES / OUEST CANADIEN
QUEBEC / MARITIMOS / CANADA OCCIDENTAL
houseofrohl.ca/support
1-866-473-8442

Canadian Customers

ONTARIO
houseofrohl.ca/support
1-800-287-5354