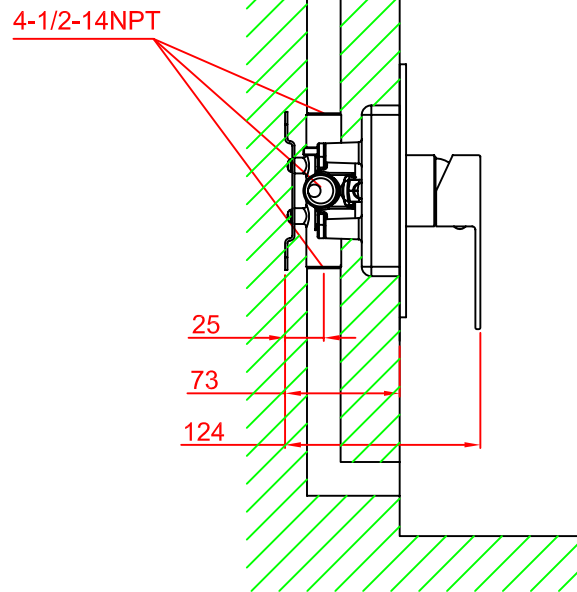
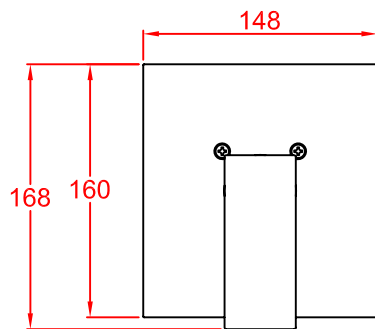


※ Dimension Drawings

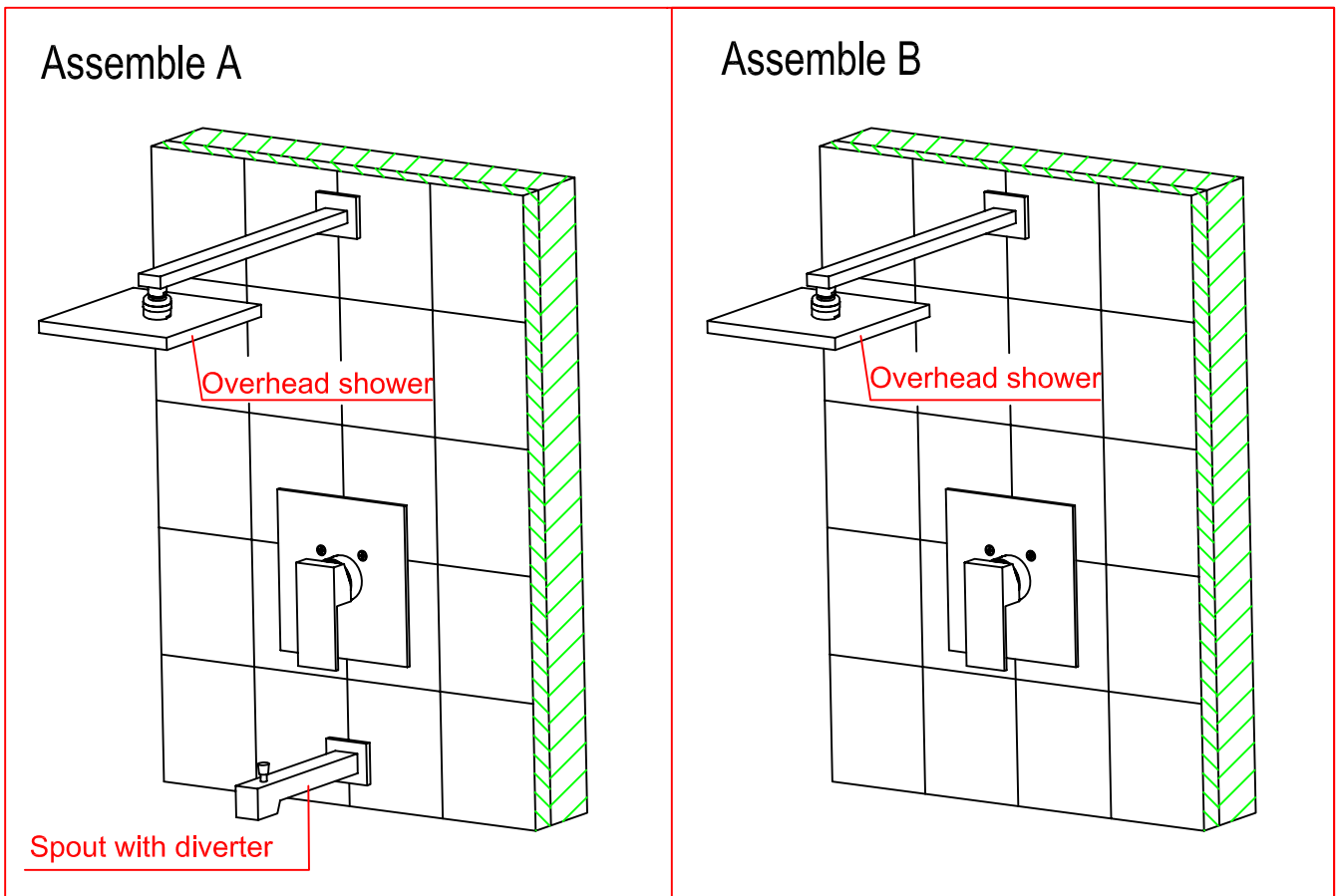


※ Important notice:

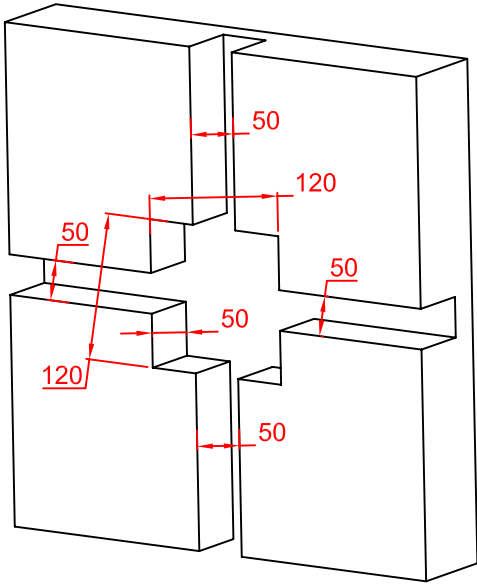
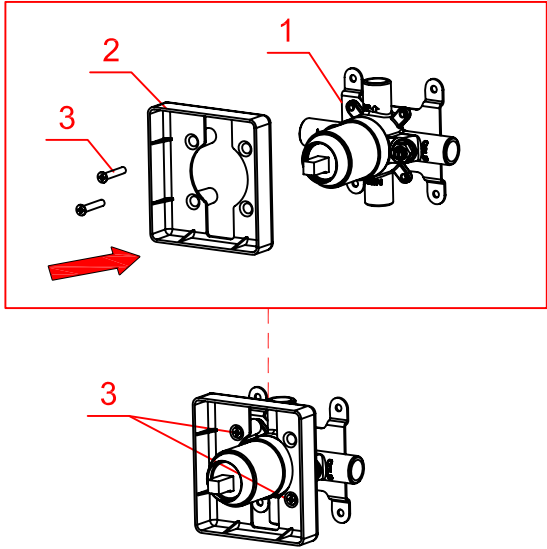
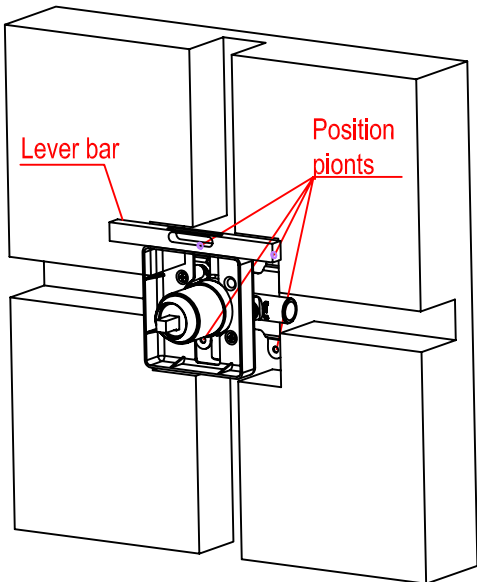
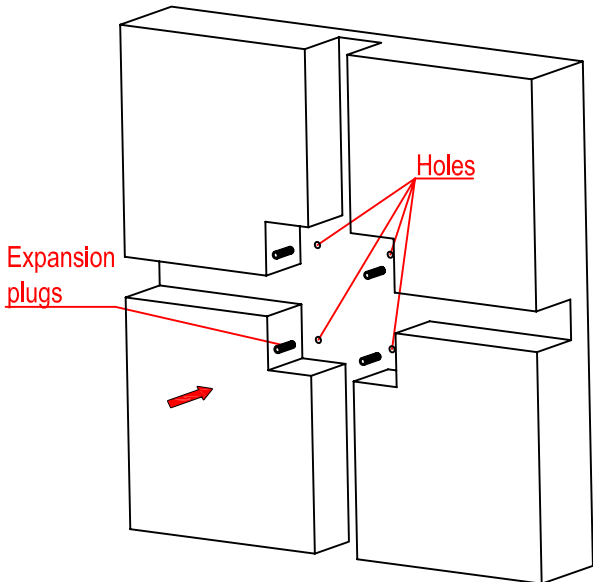
This concealed shower mixer can be used by different assembly as the drawing shown below:

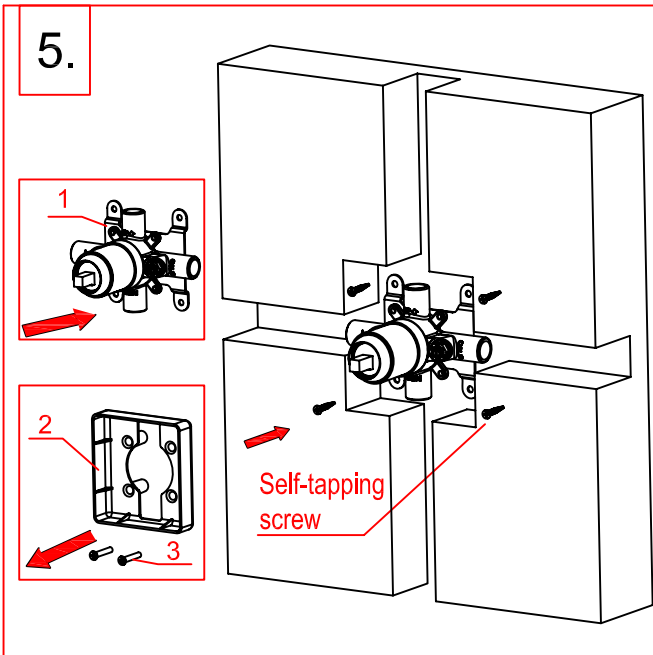
☆ Assemble A: to overhead shower and spout with diverter;

☆ Assemble B: to overhead shower only.

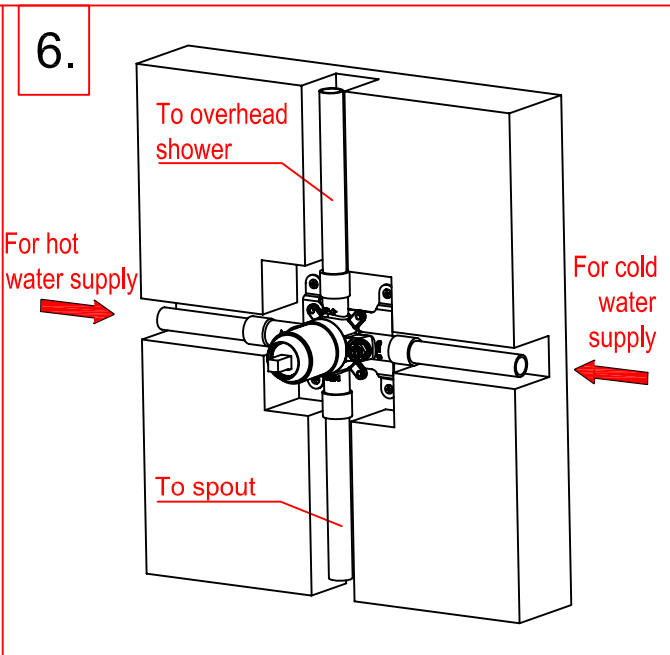


※Installation Procedures(Assembly A):

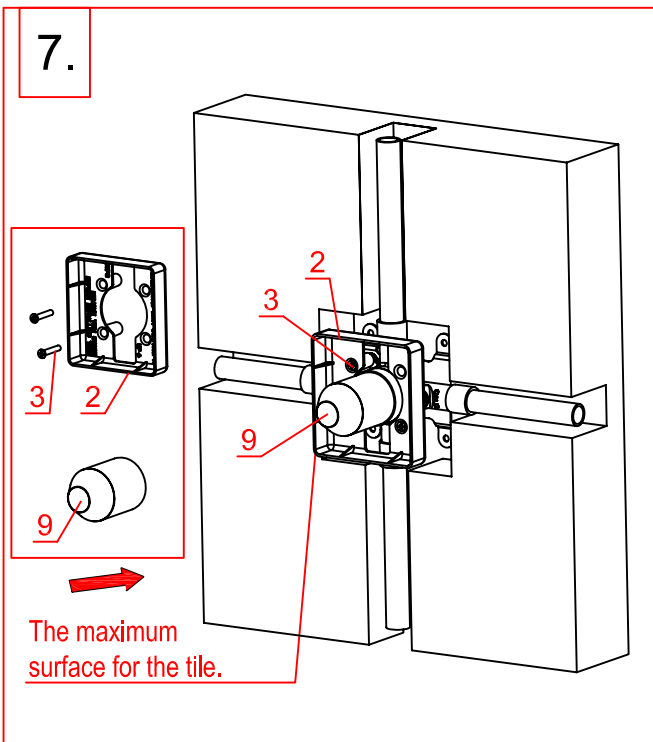
<p>1.</p>  <p>For wallcut space (Assembly A).</p>	<p>2.</p> 
<p>1.Dig caves in the wall as per above dimensions.</p>	<p>2.Fix the plastic guard A(2) to the main body(1) with Bolt A(3).</p>
<p>3.</p> 	<p>4.</p> 
<p>3.Fix the main body(1) to the hole, then put the lever bar to the plastic guard A(2) and keep horizontal. After adjusting the position, make 4 drilling marks on the wall.</p>	<p>4.Drill 4 holes, and knock the expansion plug inside.</p>



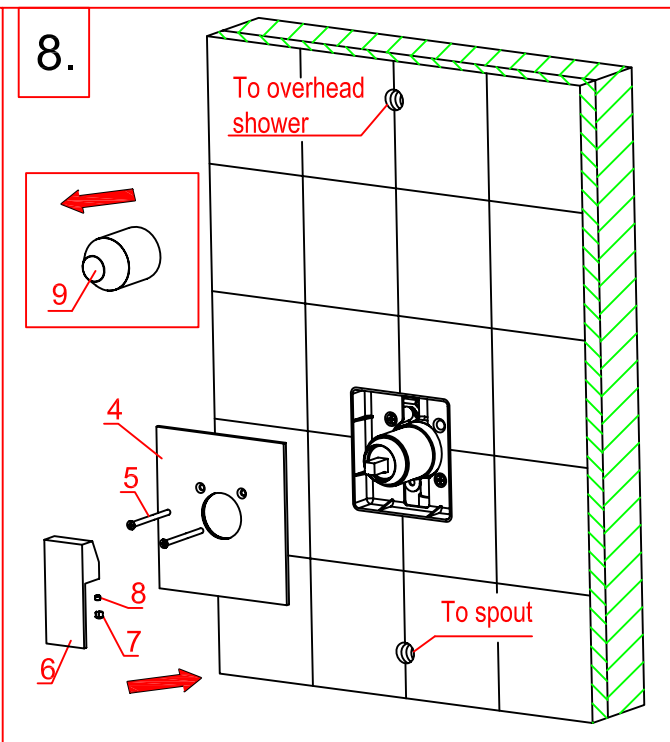
5. Remove the plastic guard A(2). After adjusting the self-tapping screw's position, tighten the main body(1) with self-tapping screws.



6. Connect to the hot and cold water supplies and outlet then test the tightness.
 Testing conditions:
 At closing position to water test the water supply pipes and main body, water pressure $\leq 1.6\text{MPa}$;
 At opening position, to water test the outlet pipes and valve, water pressure $\leq 0.4\text{MPa}$.

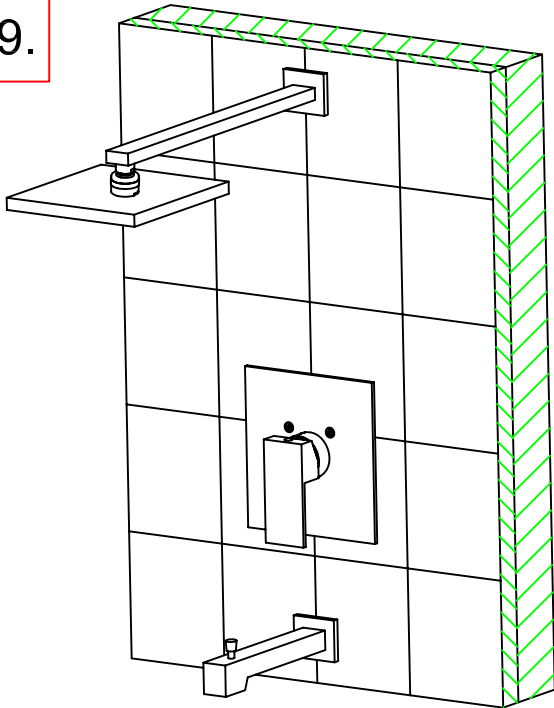


7. After ensure the tightness of every joint, put on the plastic guards, the wall should be kept horizontal with the top of plastic guard A(2) after tiling.



8. After remove the plastic guard B(9), fix the plate(4) and handle(6) to the main body(1) with bolt B(5) and screw(8).

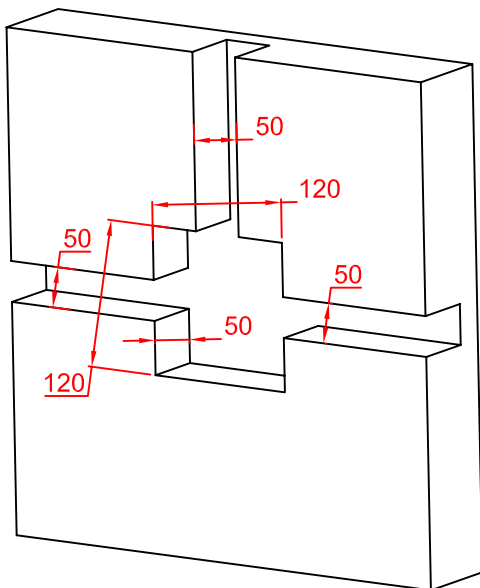
9.



9. Fix overhead shower, spout to proper position. Test the tightness of all the joints to finish.

※Installation Procedures(Assembly B):

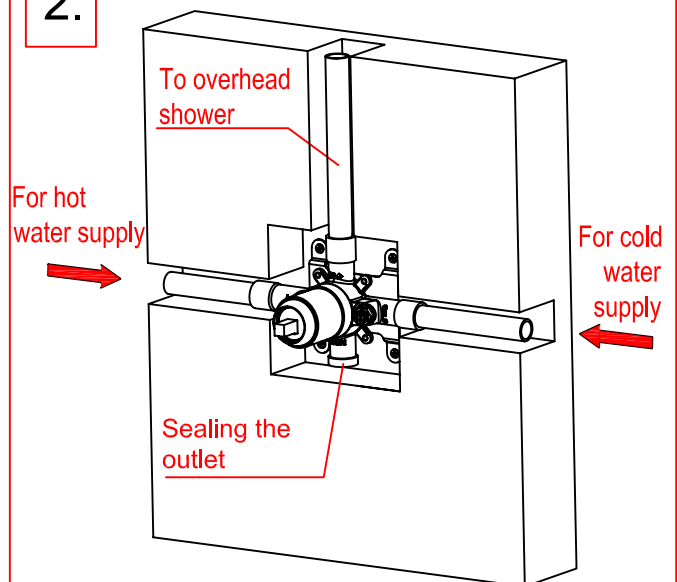
1.



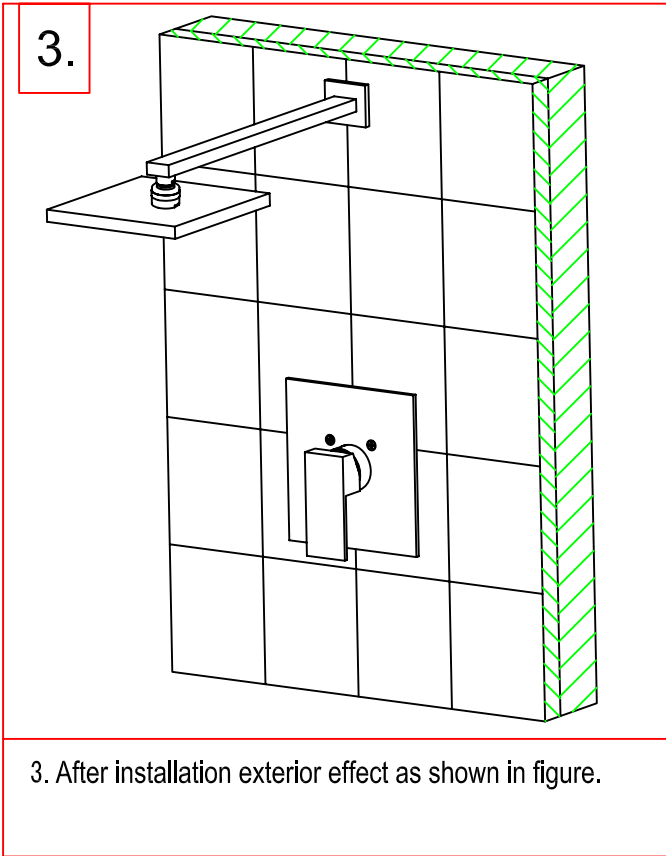
For wallcut space(Assembly B).

1. Dig caves in the wall as per above dimensions.

2.

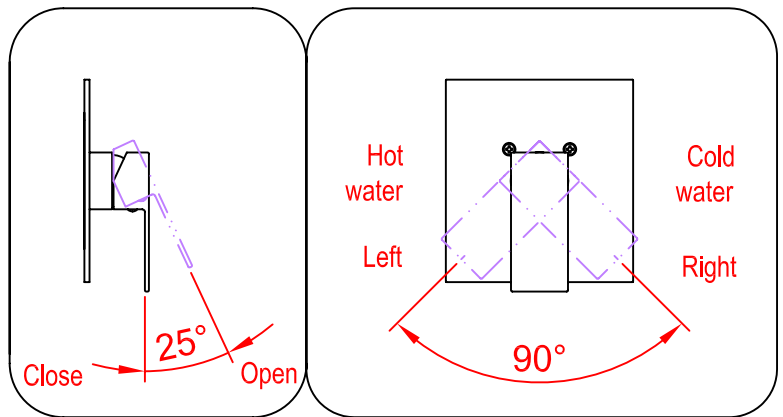


2. Assembly B's installation can refer to assembly A's installation procedure. Connect the hot & cold water supplies and outlet pipe, leave the upper water outlet only. Sealing the outlet under the main body with a pipe plug.



※ Operation

- ☆ How to operate the mixer handle
 - 1) Raise the handle lever up for opening water, push down to close;
 - 2) Turn the handle lever to the left to increase hot water flow, to the right to lower water temperature.



※ Cleaning and Maintenance

- ☆ To keep the product clean, shining and in good condition, follow the steps as below:
 1. Flush with clean water & dry with soft cloth only;
 2. If any dirt, clean with soft liquid or transparent glass detergent.
 3. Do not use any scrubbing detergent, polisher, sand-cloth, paper tissue or scraper.
 4. Do not use acid detergent, indissolvable grain-like detergent or soap.



※ This installation manual is only for your reference, the final right to explain & revise is belongs to us.

Serial number:80010111719