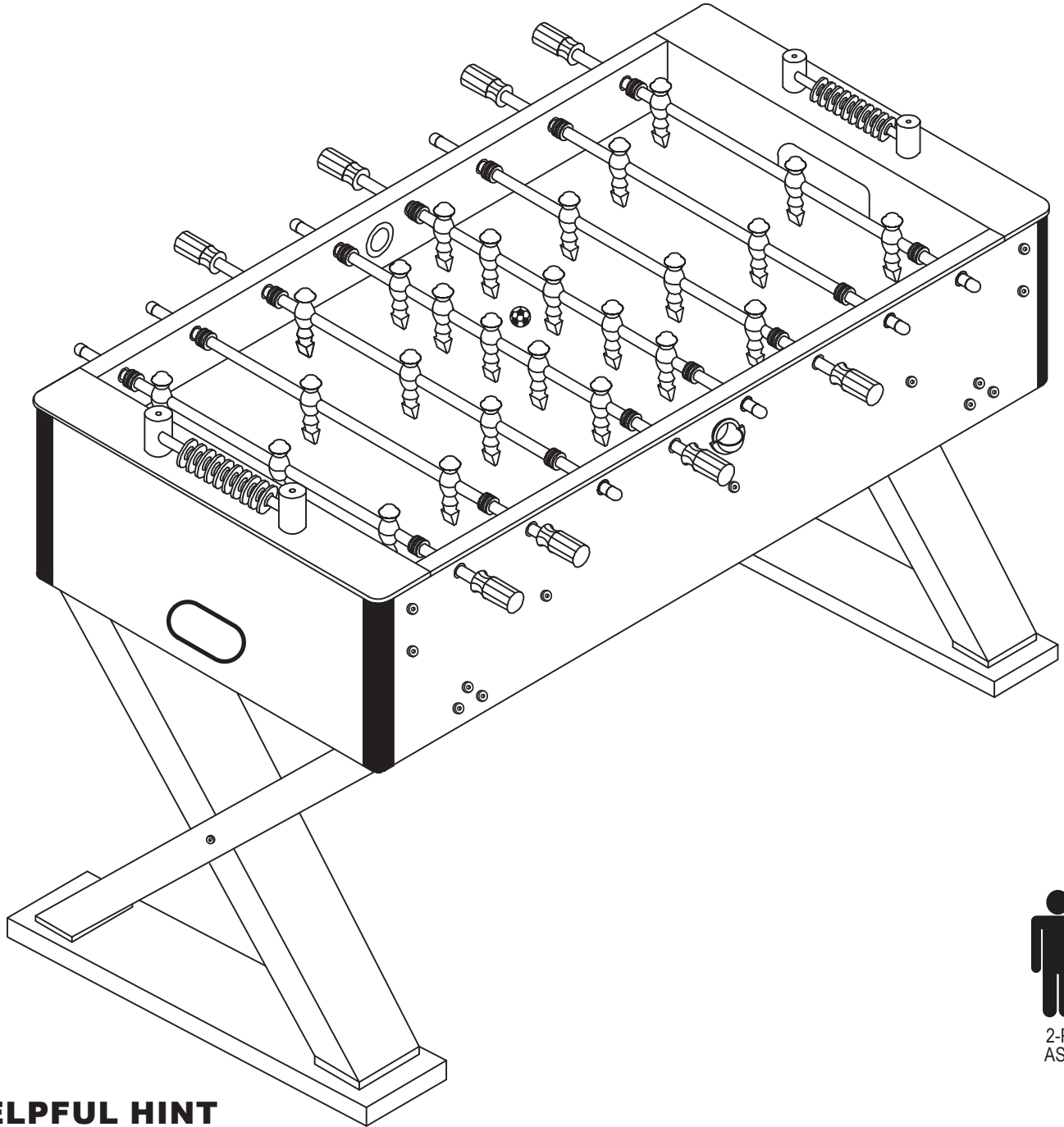


Thank you for choosing Sunnydaze Decor. We stand behind our brand and the quality of the items we sell. Replacement parts or products will be sent at our discretion within the 1-year warranty period. Proof of purchase, with the date of purchase as well as photos of the merchandise defect, must be provided. Photos are used to determine the cause of defects and for future quality control. Register your warranty at <https://tiny.cc/SunnydazeWarranty>. If you have any questions, comments or concerns, feel free to contact us by phone at 833-982-1977, by email: [customerservice@sunnydazedecor.com](mailto:customerservice@sunnydazedecor.com), or via our contact us page at <https://tiny.cc/SunnydazeContact>

# DELANO FOOSBALL TABLE DQ-931

Assemble components on a soft, clean surface to avoid scratching or damaging the finish.



## ! HELPFUL HINT

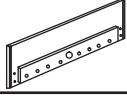

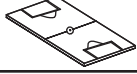

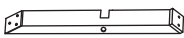



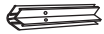


Sunnydaze Decor advises reading this manual fully, and assembling the game table soon after purchase. Check that all parts are accounted for and familiarize yourself with all assembly steps before beginning. Save this manual for future reference.





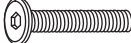



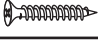
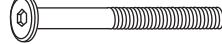


# PARTS



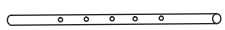











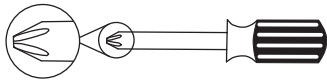
Thoroughly inspect packaging to ensure all parts are accounted for before disposing of packing materials.

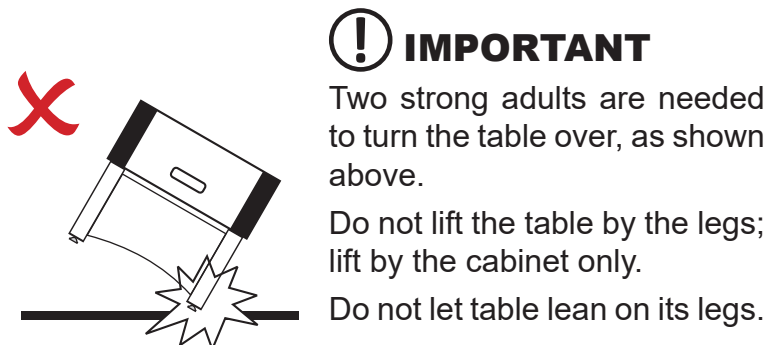
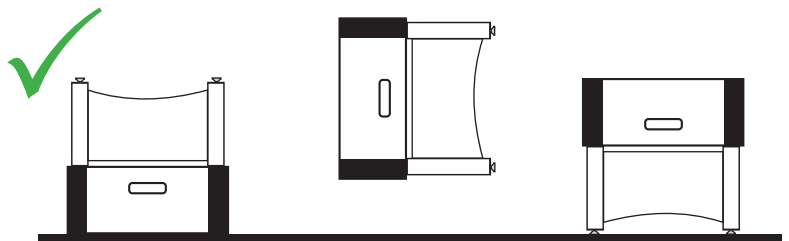


No.	TABLE PARTS	QTY.
P1	 Side Panel	2
P2	 End Panel	2
P3	 Playing Field	1
P4	 Playing Field Support	3
P5	 Leg	4
P6	 Leg Brace	2
P7	 Ball Entry Cup (unscrew pieces)	2
P8	 Slide Scorer	2
P9	 Corner	4
P10	 Cross Bar	1
P11	 Leg Leveler	4

No.	TABLE HARDWARE	QTY.
H1	 1/4" Flat Washer	6
H2	 5/16" Flat Washer	30
H3	 1/4" Barrel Nut	6
H4	 5/16" x 2-1/4" Bolt	16
H5	 5/16" x 1-1/8" Bolt	12
H6	 1/4" x 1-1/2" Bolt	6
H7	 1" Round Head Screw	20
H8	 1/2" Round Head Screw	10
H9	 3/4" Flat Head Screw	4
H10	 5/16" x 5-1/2" Bolt	2
H11	 Hex Key	1
H12	 5/16" x 1-3/5" Flat Washer	2

No.	PARTS	QTY.
R1	 3-Player Rod	4
R2	 2-Player Rod	2
R3	 5-Player Rod	2
R4	 Plastic Washer	16
R5	 Home Player	13
R6	 Away Player	13
R7	 Rubber Rod Bushing	16
R8	 5/32" x 1" Bolt	26
R9	 5/32" Lock Nut	26
R10	 Handle	8
R11	 End Cap	8
R12	 Soccer Ball	2

TOOLS REQUIRED (not included)
 Phillips Screwdriver



— SAVE THESE INSTRUCTIONS —

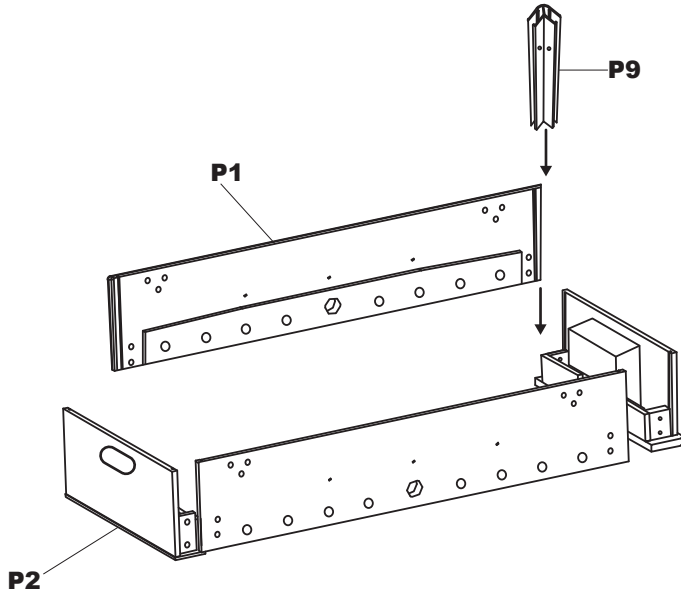


# ASSEMBLY

*Review drawings carefully and understand assembly before beginning.*

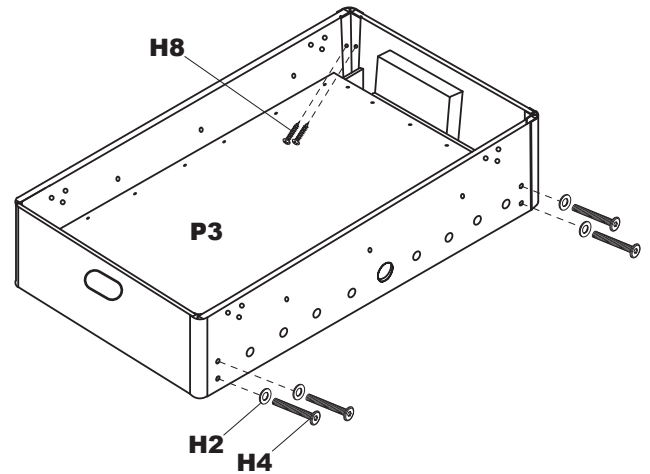
## STEP 1

P1: 2  
P2: 2  
P9: 4



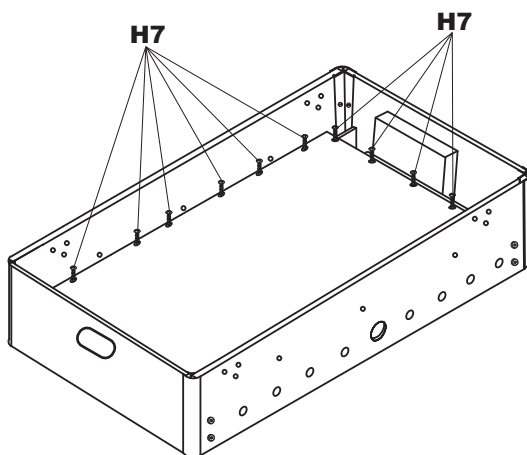
## STEP 2

P3: 1  
H2: 8  
H4: 8  
H8: 8



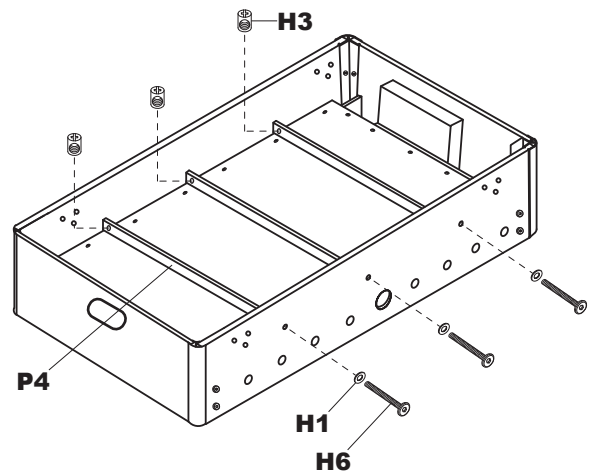
## STEP 4

H7: 20



## STEP 3

P4: 3  
H3: 6  
H1: 6  
H6: 6

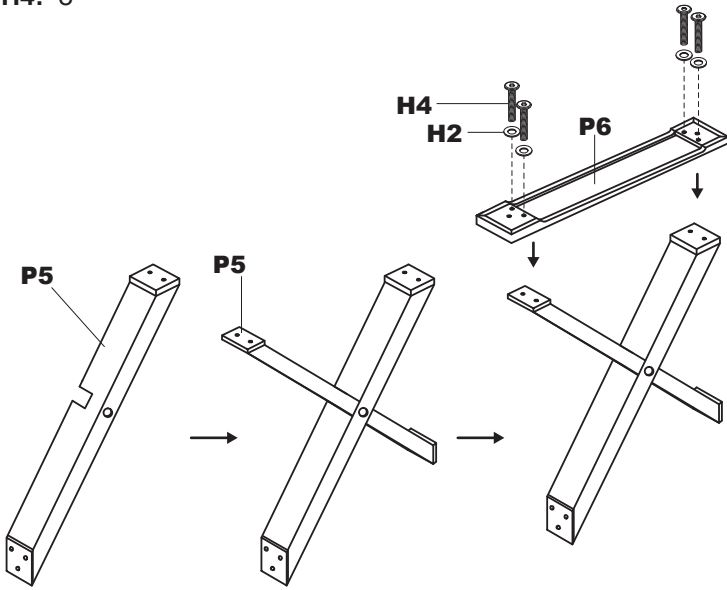


### ⓘ **HELPFUL HINT**

Use a Phillips screwdriver to align the opening in the barrel nut with the hole on the outside of the support and side panel; the screwdriver will hold it steady while the bolt is secured.

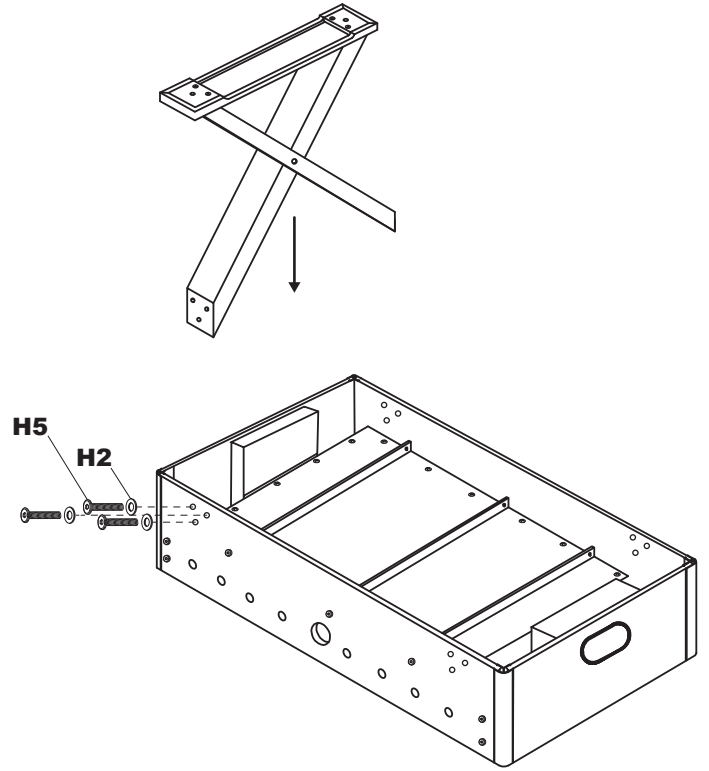
### STEP 5

P5: 4  
P6: 2  
H2: 8  
H4: 8



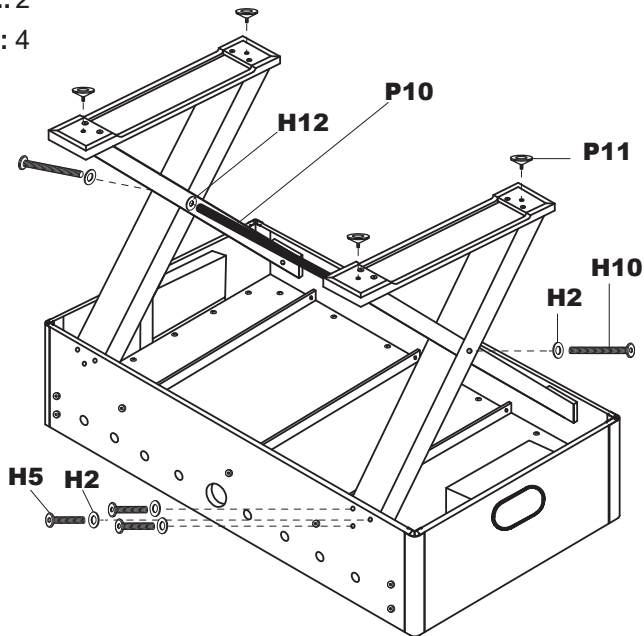
### STEP 6

H2: 6  
H5: 6



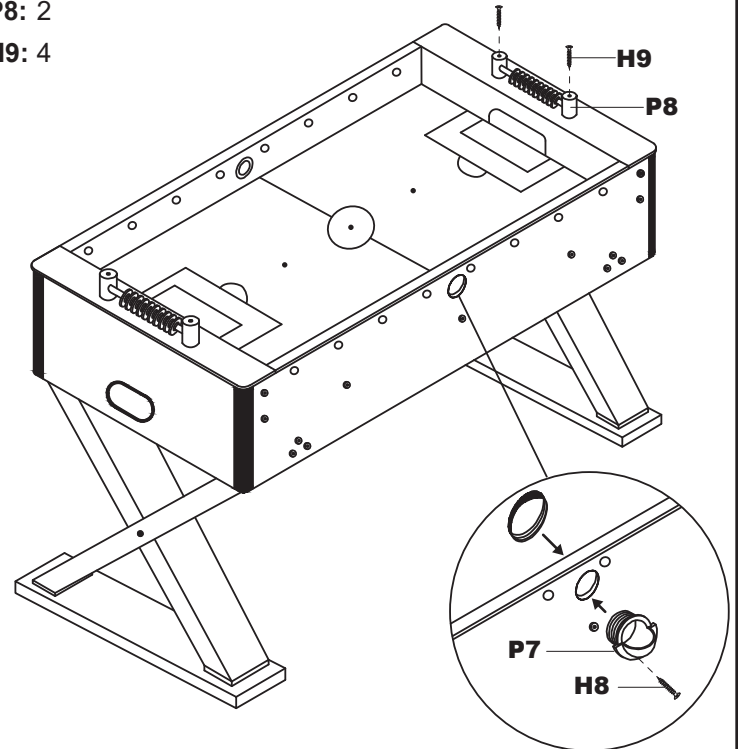
### STEP 7

P10: 1  
H2: 8  
H5: 6  
H10: 2  
H12: 2  
P11: 4



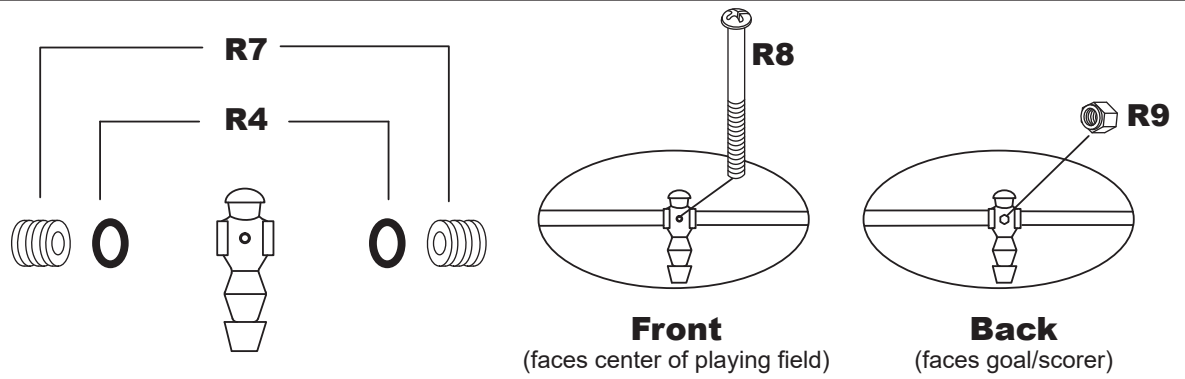
### STEP 8

P7: 2  
H8: 2  
P8: 2  
H9: 4



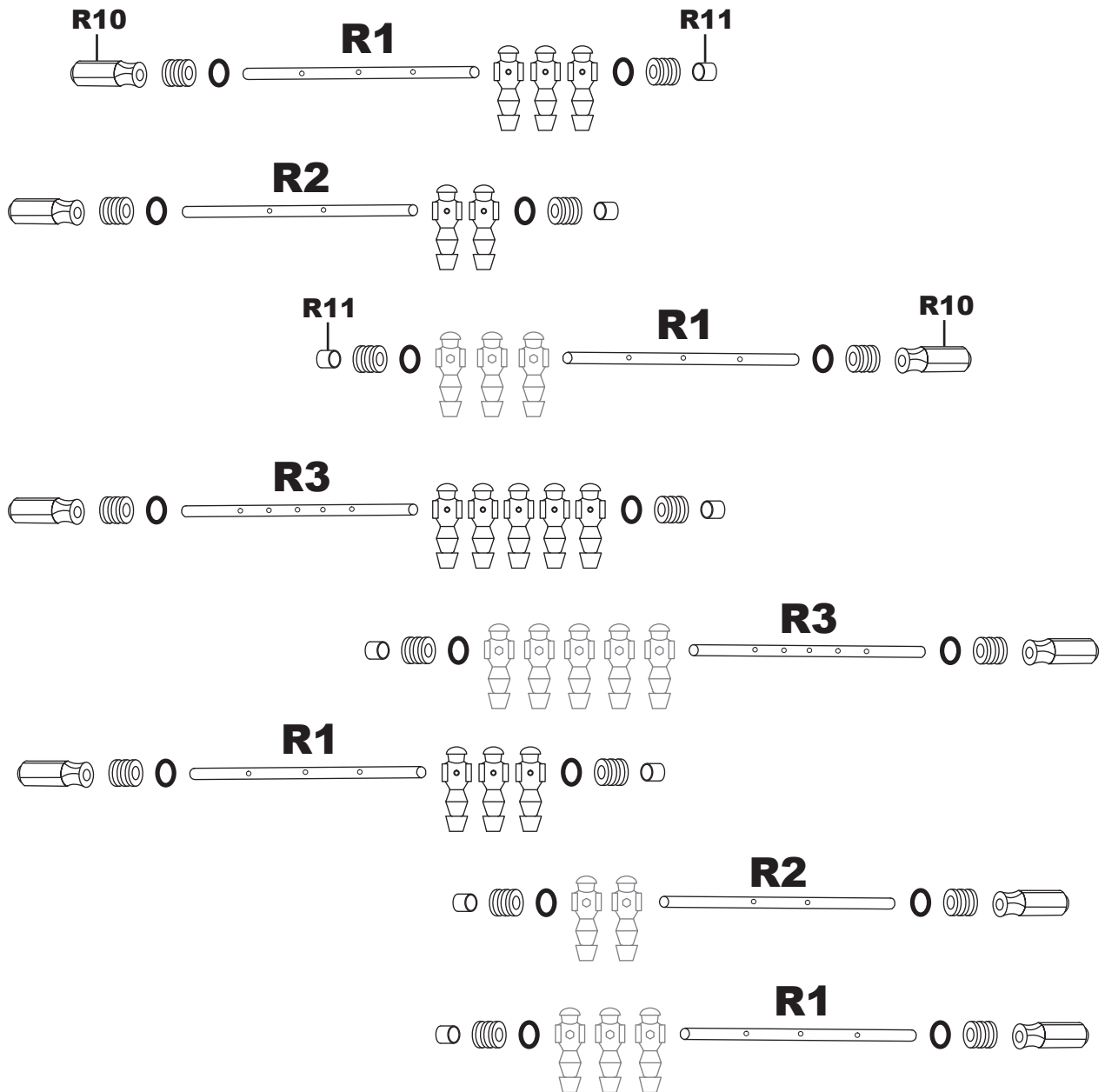
# STEP 9

HOME	AWAY
R1: 2	R1: 2
R2: 1	R2: 1
R3: 1	R3: 1
R4: 8	R4: 8
R5: 13	R6: 13
R7: 8	R7: 8
R8: 13	R8: 13
R9: 13	R9: 13
R10: 4	R10: 4
R11: 4	R11: 4



**Follow the diagram below to ensure rod and player placement is correct.**

- Place 1 Washer (R4) and 1 Rubber Bushing (R7) onto the handle-side of each rod.
- Run the end of the rod through the opening on the table and push Handle (R10) onto the rod.
- Ensuring the front of the players are facing the center of the playing field, place players, 1 washer and 1 bushing onto the rod, then put the end of the rod through the opening on the opposite side of the table.
- Place End Cap (R11) on the rod.
- Secure each player using 5/32" x 1" Bolt (R8) and 5/32" Lock Nut (R9) using a Phillips screwdriver.



# Care and Maintenance

**PROTECT:** Install this game table in a dry location; high moisture areas may cause the finish to peel and wood to warp.

**COVER:** Covering the game table while it is not in use will help prevent dust build-up.

**INSPECT:** Periodically check all assembly points to ensure all bolts and screws are firmly secured.

**CLEAN:** Use a soft, dry cloth to dust the game table. For stubborn stains, use a slightly damp cloth. NEVER use harsh chemical or abrasive materials to clean any part of the game table.

**LEVEL:** If the playing surface is uneven, adjust the feet by (un)screwing each side until the playing field is level.

## SAFETY STATEMENTS & WARNINGS

- This product is intended for INDOOR use only.
- For residential use only.
- Do not sit, climb or lean on the table.
- Ensure all bolts and screws are firmly secured before use.
- Always lift the table when moving it. Dragging the table can permanently damage the unit.
- Do not use or store this item in the proximity of open flame or flammable/combustible chemicals.
- Supervise children while this item is in use.

**Any modification to the product or failure to follow recommended care will void the product warranty.**

## WARNING!

**Manufacturer and seller expressly disclaim any and all liability from personal injury, property damage or loss, whether direct or indirect, or incidental, resulting from the incorrect attachment, improper use, inadequate maintenance, or neglect of this product.**