

SPEAKMAN® SE-697

Combination Shower with Round Eyewash System

EYEWASH FEATURES: (SE-580)

- Yellow glass filled polypropylene with UV stabilizer bowl
- (2) aerated yellow plastic spray outlets with flip-top dust caps
- ½ in. NPT female brass, chrome plated, full flow stay-open ball valve
- Stainless steel push handle activator
- ½ in. NPT female inlet
- 3.2 gpm @ 30 psi
- Universal Emergency Sign Included

SHOWER FEATURES:

- 8 in. yellow plastic showerhead
- Internal 20 gpm restrictor flow control
- 1 in. NPT female brass, chrome plated, full flow stay-open ball valve
- Powder coated yellow aluminum triangular pull rod activator
- 1¼ in. galvanized steel piping stanchion and fittings
- 1¼ in. NPT female inlet & waste
- DuraJade™ powder-coated finish on stanchion for durability and enhanced corrosion resistance.
- 20 gpm @ 30 psi

FINISHES:



DuraJade™ powder-coated galvanized steel (standard)

COMPLIANCE:

- Certified to ANSI/ISEA Z358.1

OPTIONS:

Add suffix to model #

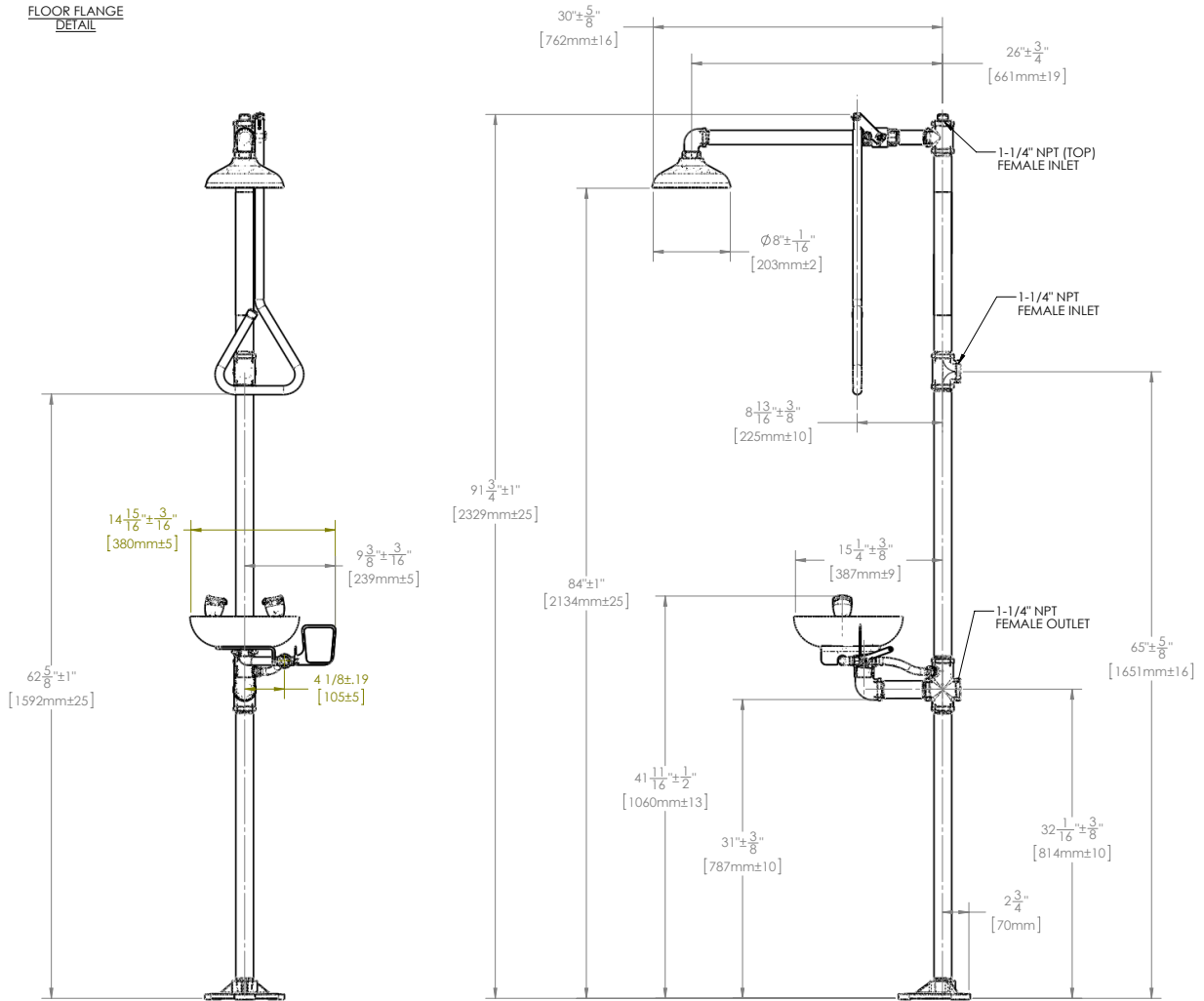
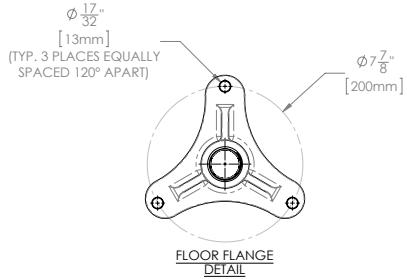
- | | |
|---|---------------------------------|
| • Anti-freeze protection valve | <input type="checkbox"/> -FPV |
| • Hand & foot operation | <input type="checkbox"/> -HFO |
| • Hand-held spray | <input type="checkbox"/> -HS |
| • Self-closing shower valve with chain & ring | <input type="checkbox"/> -SCSV |
| • Stainless steel pull rod | <input type="checkbox"/> -SPR |
| • Anti-scald protection valve | <input type="checkbox"/> -SPV |
| • 1 in. IPS stainless steel ball valve | <input type="checkbox"/> -SSBV1 |
| • ½ in. IPS stainless steel ball valve | <input type="checkbox"/> -SSBV2 |
| • Stainless steel showerhead | <input type="checkbox"/> -SSH |

WARRANTY:

- 3 year limited



DIMENSIONS: NOTE: 1. All dimensions are in inches (millimeters) unless otherwise specified and are subject to change without notice.



SPEAKMAN® SE-693

Combination Shower with Round Eyewash System

EYE WASH FEATURES: (SE-582)

- (2) aerated yellow plastic spray outlets
- 300 series stainless steel bowl
- ½ in. NPT female brass, chrome-plated valve
- Stainless steel push handle activator
- ½ in. NPT female inlet
- 3.18 gpm @ 30 psi
- Universal emergency sign included

SHOWER FEATURES:

- 8 in. yellow plastic showerhead
- Internal 20 gpm restrictor flow control
- 1 in. NPT female brass, chrome plated, full flow stay-open ball valve
- Powder coated yellow aluminum triangular pull rod activator
- 1¼ in. galvanized steel piping stanchion and fittings
- 1¼ in. NPT female inlet & waste
- DuraJade™ powder-coated finish on stanchion for durability and enhanced corrosion resistance.
- 20 gpm @ 30 psi

FINISHES:



DuraJade™ powder-coated galvanized steel (standard)

COMPLIANCE:

- Certified to ANSI/ISEA Z358.1

OPTIONS:

Add suffix to model #

- | | |
|---|---------------------------------|
| • Anti-freeze protection valve | <input type="checkbox"/> -FPV |
| • Hand & foot operation | <input type="checkbox"/> -HFO |
| • Hand-held spray | <input type="checkbox"/> -HS |
| • Self-closing shower valve with chain & ring | <input type="checkbox"/> -SCSV |
| • Stainless steel pull rod | <input type="checkbox"/> -SPR |
| • Anti-scald protection valve | <input type="checkbox"/> -SPV |
| • 1 in. IPS stainless steel ball valve | <input type="checkbox"/> -SSBV1 |
| • ½ in. IPS stainless steel ball valve | <input type="checkbox"/> -SSBV2 |
| • Stainless steel showerhead | <input type="checkbox"/> -SSH |

WARRANTY:

- 3 year limited



