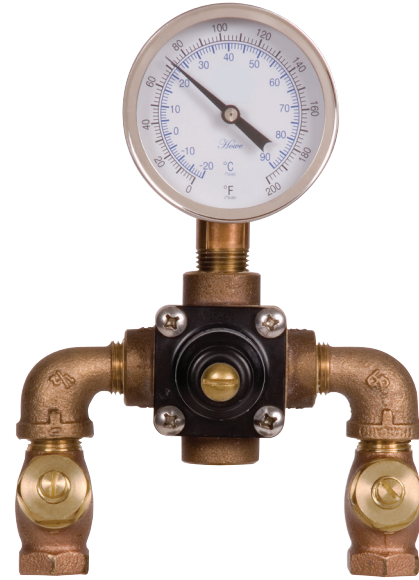


SPEAKMAN® SE-370

Thermostatic Mixing Valve

FEATURES:

- 7.3 gpm capacity supports most single eye or eye/face wash stations @ 30 psi flowing
- Provides 5.6 gpm cold water bypass in case of hot water or thermostatic element failure @ 30 psi flowing
- Inlet connections: ½ in. NPT
- Outlet connection: ½ in. NPT
- Temperature range: 65°F - 90°F
- Maximum pressure 125 PSI
- Inlet temperature hot: 120°F - 180°F
- Inlet temperature cold: 33°F - 80°F
- Minimum temperature differential (from valve set point): 20° F
- Automatic spring check stops on inlets
- Valve holds to a +/- 3° F temperature
- Valves provide a positive shutoff when cold water is lost
- Set Point = 85°F
- Adjustable set point



FINISH:



Rough Brass (standard)

COMPLIANCE:

- ASSE 1071 Certified
- UPC certified

OPTIONS:

Add suffix to model #

- Flush or surface mounted cabinet SE-376

WARRANTY:

- 3 year limited

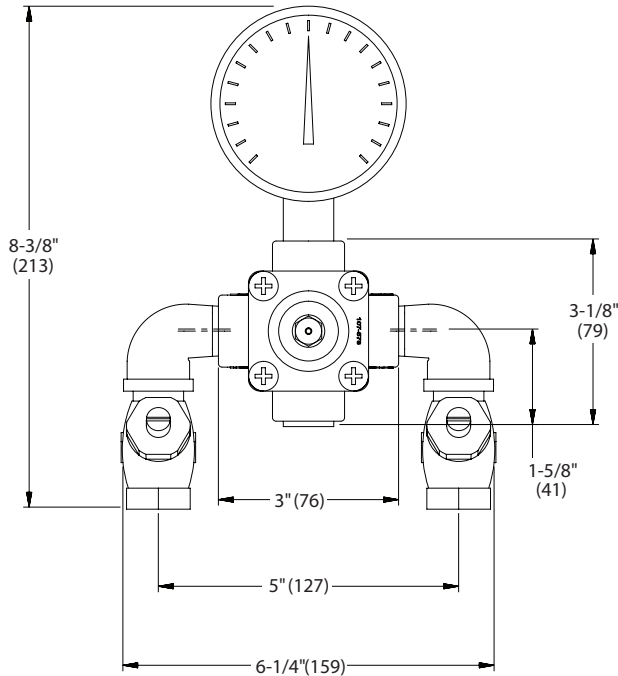
FLOW CAPACITIES - GPM (L/MIN.)

MODEL	MIN. FLOW	PRESSURE DROP - PSI (BAR)						
		5 (.5)	10 (1.0)	15 (1.5)	20 (2.0)	30 (2.5)	45 (3.0)	60 (4.0)
SE-370	1.5 (5.5)	3.0 (13.5)	4.0 (19.0)	5.0 (23.5)	6.0 (27.0)	7.3 (30.5)	9.0 (33.5)	10.5 (38.5)
Cold bypass only		2.3 (10.5)	3.2 (14.5)	4.0 (18.0)	4.6 (21.0)	5.6 (23.5)	6.8 (25.5)	7.7 (29.5)

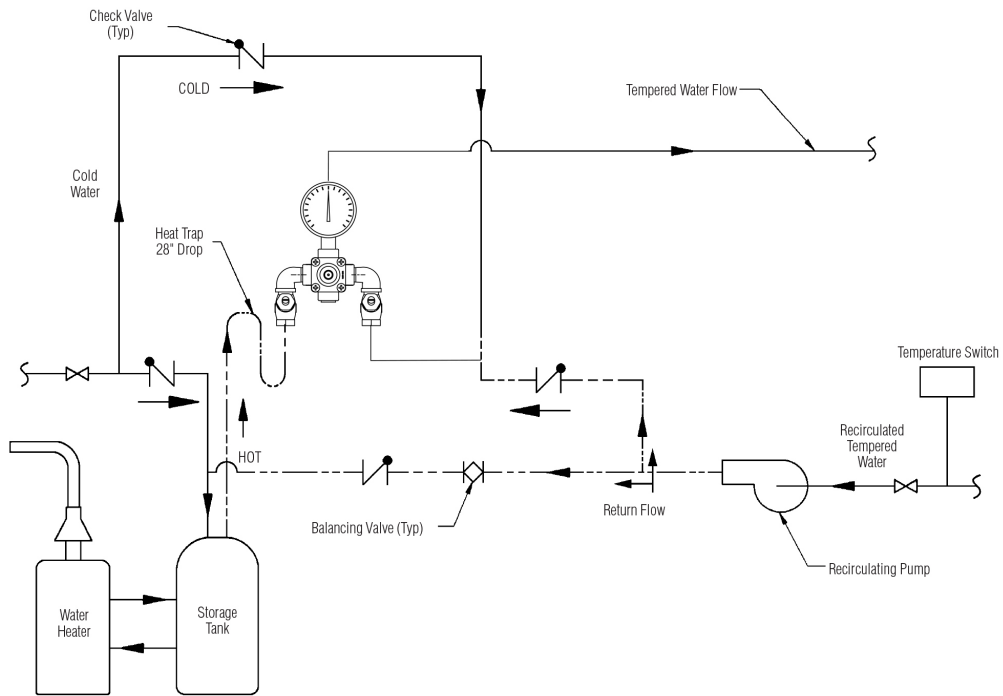
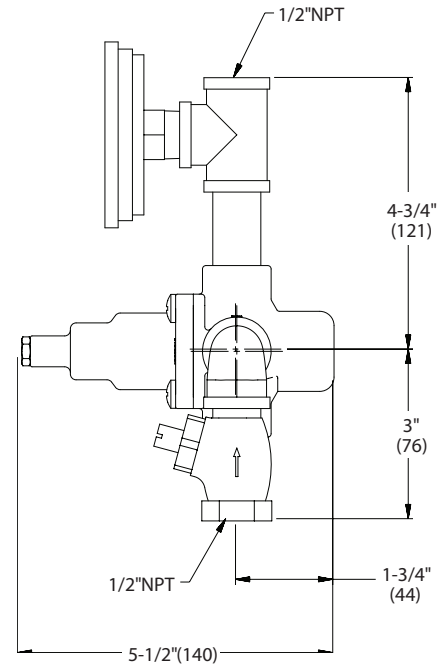
This plumbing fixture is not intended to dispense water for human consumption through drinking or for preparation of food or beverages.

Dimensions

Front View



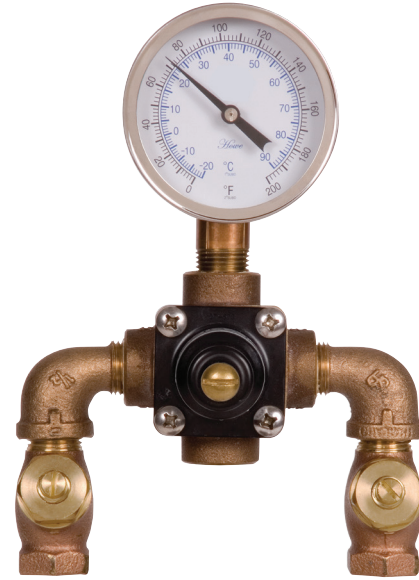
Side View



Thermostatic Mixing Valve Kit

FEATURES:

- 7.3 gpm capacity supports most single eye or eye/face wash stations @ 30 psi flowing
- Provides 5.6 gpm cold water bypass in case of hot water or thermostatic element failure @ 30 psi flowing
- Inlet connections: ½ in. NPT
- Outlet connection: ½ in. NPT
- Temperature range: 65°F - 90°F
- Maximum pressure 125 PSI
- Inlet temperature hot: 120°F - 180°F
- Inlet temperature cold: 33°F - 80°F
- Minimum temperature differential (from valve set point): 20°F
- Automatic spring check stops on inlets
- Valve holds to a +/- 3° F temperature
- Valves provide a positive shutoff when cold water is lost
- Set Point = 85°F
- Adjustable set point
- Includes SE-370 TMV, G05-0929 adapter, (2) 05-1860 bushing, 05-2209 reducing nipple, (2) 08-0043 plug, (2) 24-0100 tee, (2) 25-0017 elbow, (5) 31-0535 nipples, & (2) 63-0045 hose.



FINISH:



Rough Brass (standard)

COMPLIANCE:

- ASSE 1071 Certified (SE-370)
- UPC certified (SE-370)

OPTIONS:

Add suffix to model #

- Flush or surface mounted cabinet SE-376

WARRANTY:

- 3 year limited

FLOW CAPACITIES - GPM (L/MIN.)

MODEL	MIN. FLOW	PRESSURE DROP - PSI (BAR)						
		5 (.5)	10 (1.0)	15 (1.5)	20 (2.0)	30 (2.5)	45 (3.0)	60 (4.0)
SE-370	1.5 (5.5)	3.0 (13.5)	4.0 (19.0)	5.0 (23.5)	6.0 (27.0)	7.3 (30.5)	9.0 (33.5)	10.5 (38.5)
Cold bypass only		2.3 (10.5)	3.2 (14.5)	4.0 (18.0)	4.6 (21.0)	5.6 (23.5)	6.8 (25.5)	7.7 (29.5)

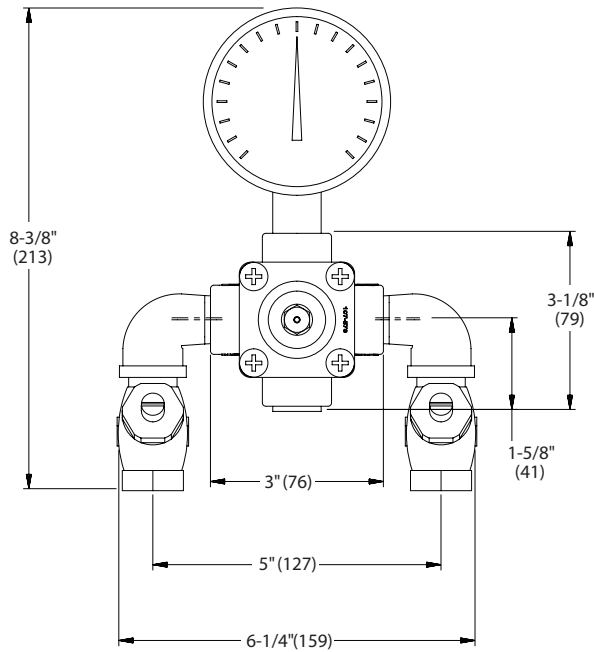
This plumbing fixture is not intended to dispense water for human consumption through drinking or for preparation of food or beverages.

DIMENSIONS: NOTE: 1. All dimensions are in inches (millimeters) unless otherwise specified and are subject to change without notice.

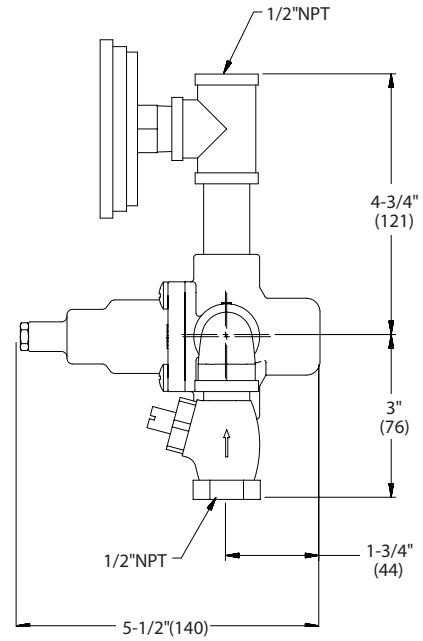
Includes SE-370 TMV, G05-0929 adapter, (2) 05-1860 bushing, 05-2209 reducing nipple, (2) 08-0043 plug, (2) 24-0100 tee, (2) 25-0017 elbow, (5) 31-0535 nipples, & (2) 63-0045 hose.

Dimensions

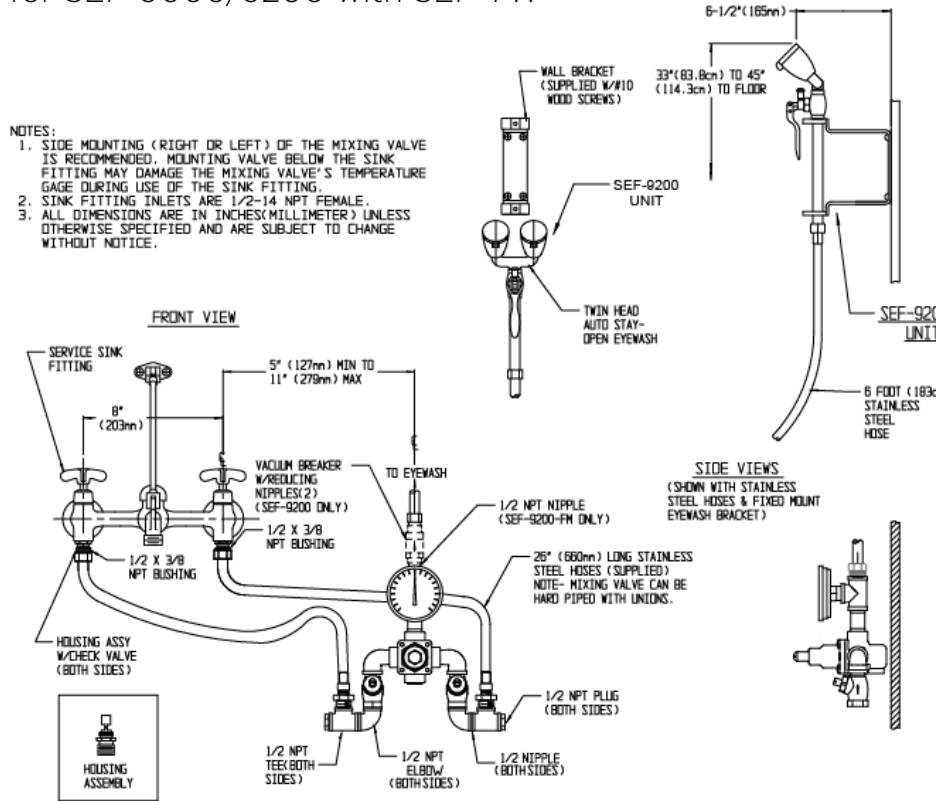
Front View



Side View



Roughing-in for SEF-9000/9200 with SEF-TW



Roughing-in for SEF-1800 with SEF-TW

