

IMPORTANT

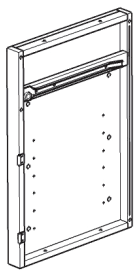
Carefully remove all the parts from the carton and place them individually on a soft cloth to prevent scratches or other damage.

Carefully and strictly follow these assembly instructions to ensure a completed product as designed.

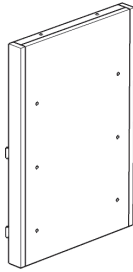
Do not use power tools above 8 volts to assemble.

Patent 8,584,600 B2

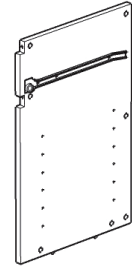
Part List



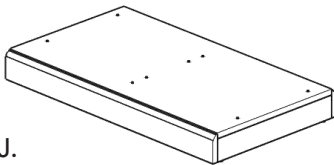
B.
Side Panel
1 pc.



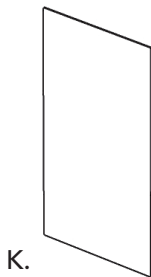
C.
Side Panel
1 pc.



D.
Middle Panel
1 pc.



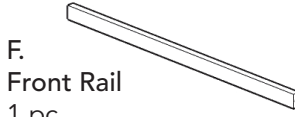
J.
Base
1 pc.



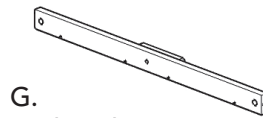
K.
Back Panel
2 pcs.



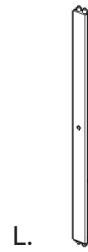
E.
Front Rail
1 pc.



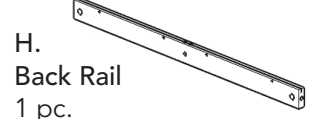
F.
Front Rail
1 pc.



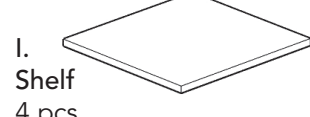
G.
Back Rail
1 pc.



L.
Back Upright
1 pc.



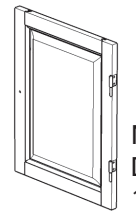
H.
Back Rail
1 pc.



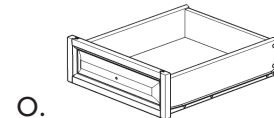
I.
Shelf
4 pcs.



M.
Door
1 pc.



N.
Door
1 pc.



O.
Drawer
2 pcs.

Refer to later page(s) of these instructions for drawer assembly.

Hardware List



Hex Wrench
1 pc.



Adjustable Pin
16 pcs. (+1 extra)



Cam Lock
15 pcs. (+2 extra)



Cam Lock Screw
15 pcs. (+1 extra)



1/2" Round Head Screw
4 pcs. (+1 extra)



3/4" Round Head Screw
8 pcs. (+1 extra)



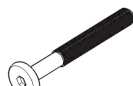
1" Round Head Screw
16 pcs. (+1 extra)



Small Hex Wrench
1 pc.



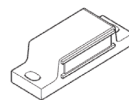
3/4" Flat Head Screw
12 pcs. (+1 extra)



M6x35 Head Cap Bolt
20 pcs. (+1 extra)



Flat Washer
8 pcs. (+1 extra)



Magnet
2 pcs.



M4x25 Machine Screw
4 pcs.



Knob
4 pcs.

Cartons 20 05020 0942 and 20 05008 0943 or 20 05009 0943 are also needed for assembly.

Tool(s) required for assembly: Phillips screwdriver, Level

Home Styles Customer Service: www.homestyles-furniture.com,
servicedesk@homestyles-furniture.com, 888-680-7460, 877-831-0319

Assembly Instructions 2/9

IMPORTANT

- Use a soft cloth between these parts and the floor.
- Do not use power tools above 8 volts to assemble.
- Do not tighten all the bolts until each part is properly assembled.
- The unit must be level to work properly. Use the included adjustable levelers to level.
- Keep Hex Wrench as the bolts may need to be tightened in the future.

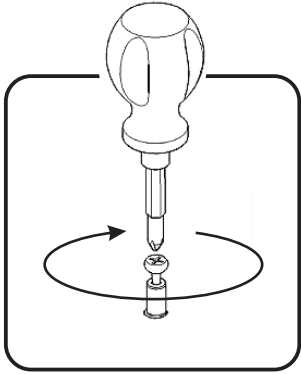
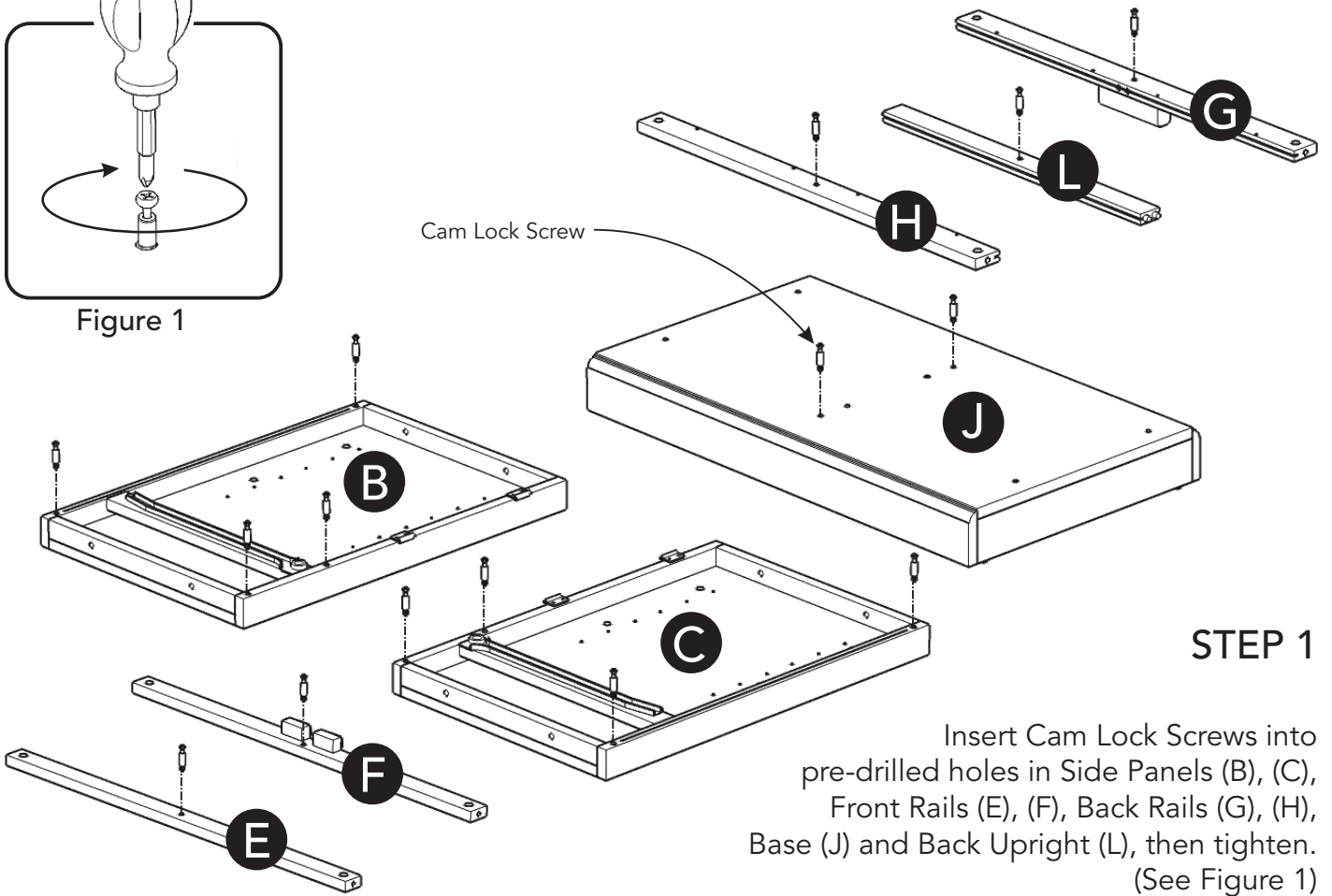


Figure 1



STEP 1

Insert Cam Lock Screws into pre-drilled holes in Side Panels (B), (C), Front Rails (E), (F), Back Rails (G), (H), Base (J) and Back Upright (L), then tighten. (See Figure 1)

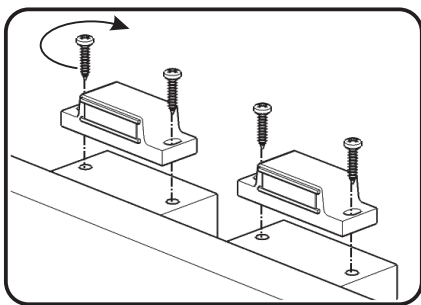
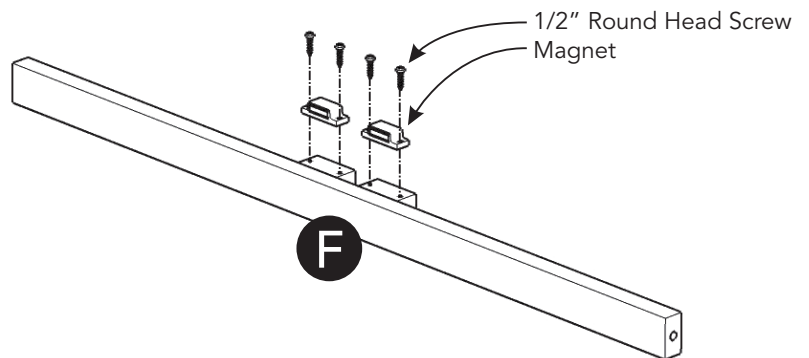


Figure 2



STEP 2

Attach Magnets to Front Rail (F) with 1/2" Round Head Screws into pre-drilled holes. (See Figure 2)

STEP 3

Attach Middle Panel (D) to Back Rails (G), (H) and Back Upright (L) with Cam Locks.
(See Figure 3)

Slide Back Panels (K) into position.

Attach Front Rails (E) and (F) to unit with Cam Locks.

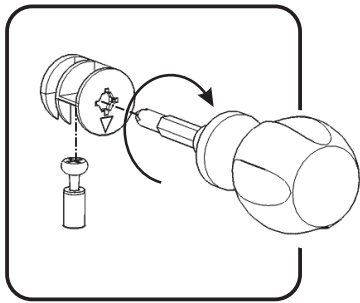
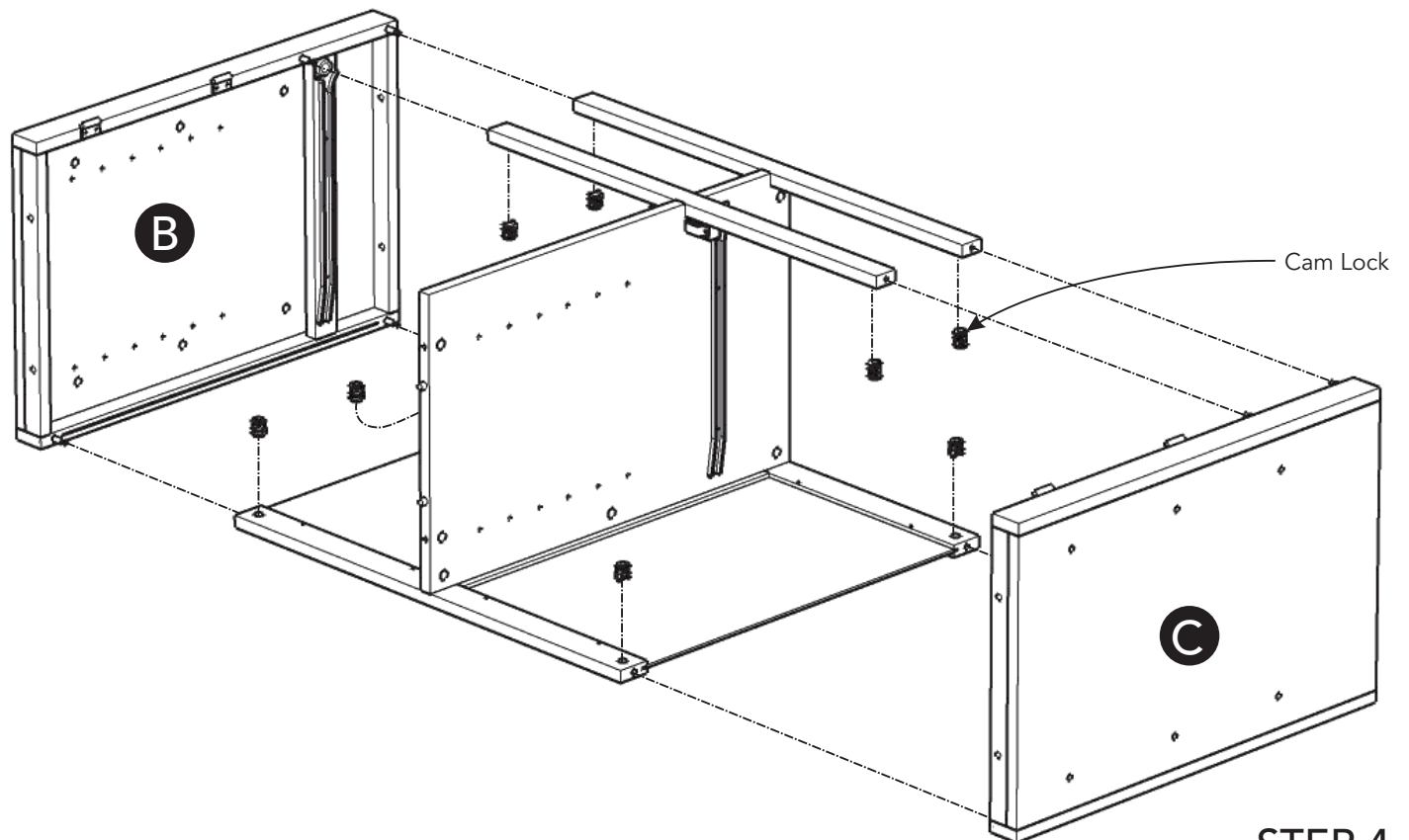
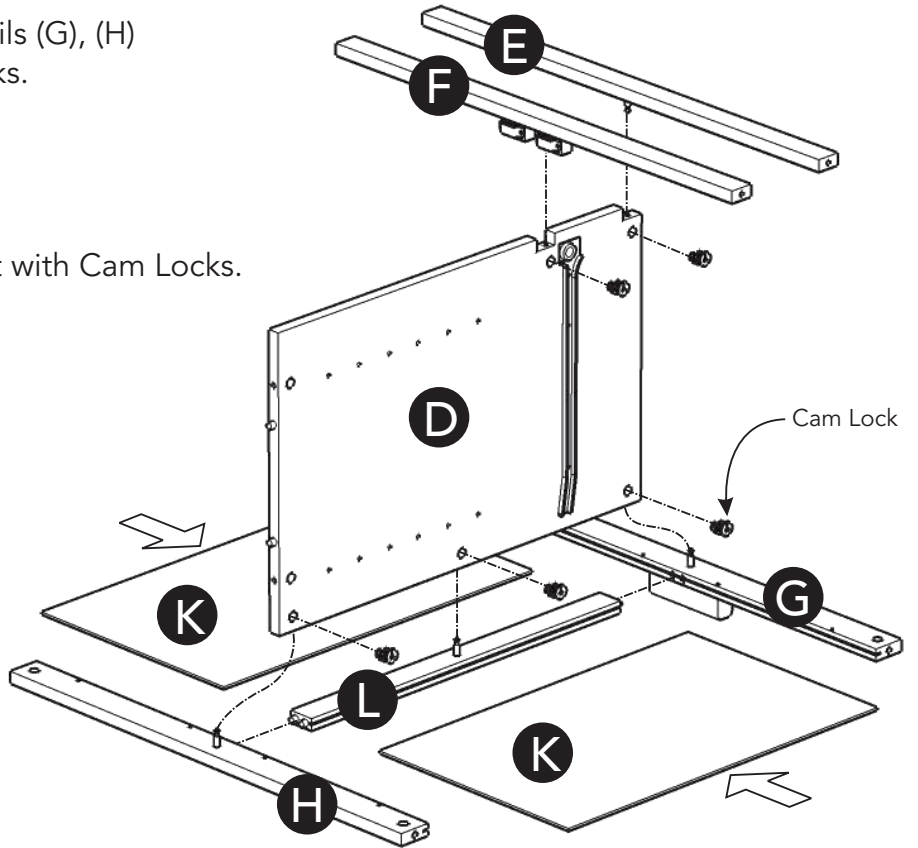


Figure 3



STEP 4

Attach Side Panels (B) and (C) to unit with Cam Locks.

Assembly Instructions 4/9

STEP 5

Attach Base (J) to unit with Cam Locks, Flat Washers and Head Cap Bolts.

Tighten bolts with Hex Wrench.
(See Figure 4)

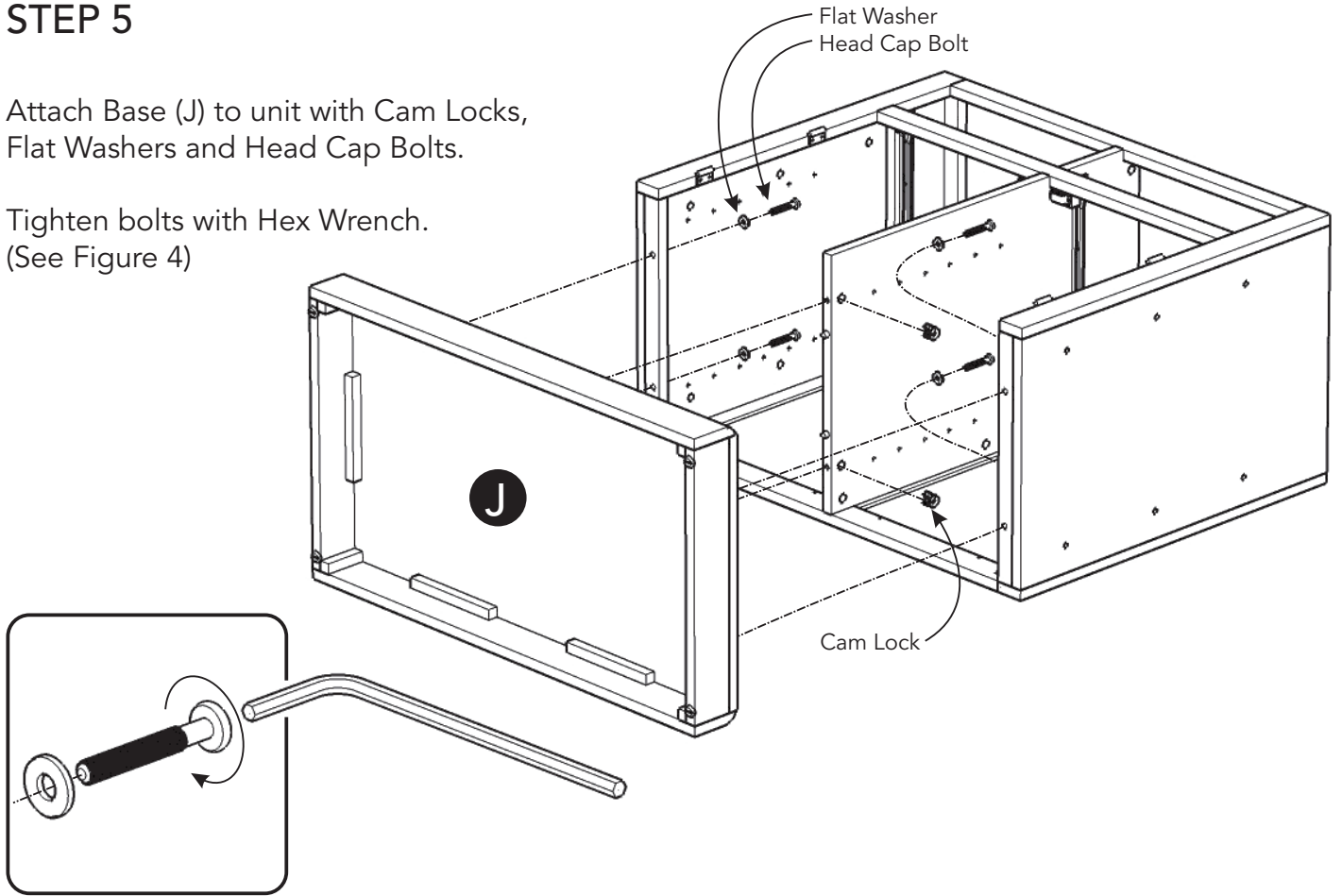


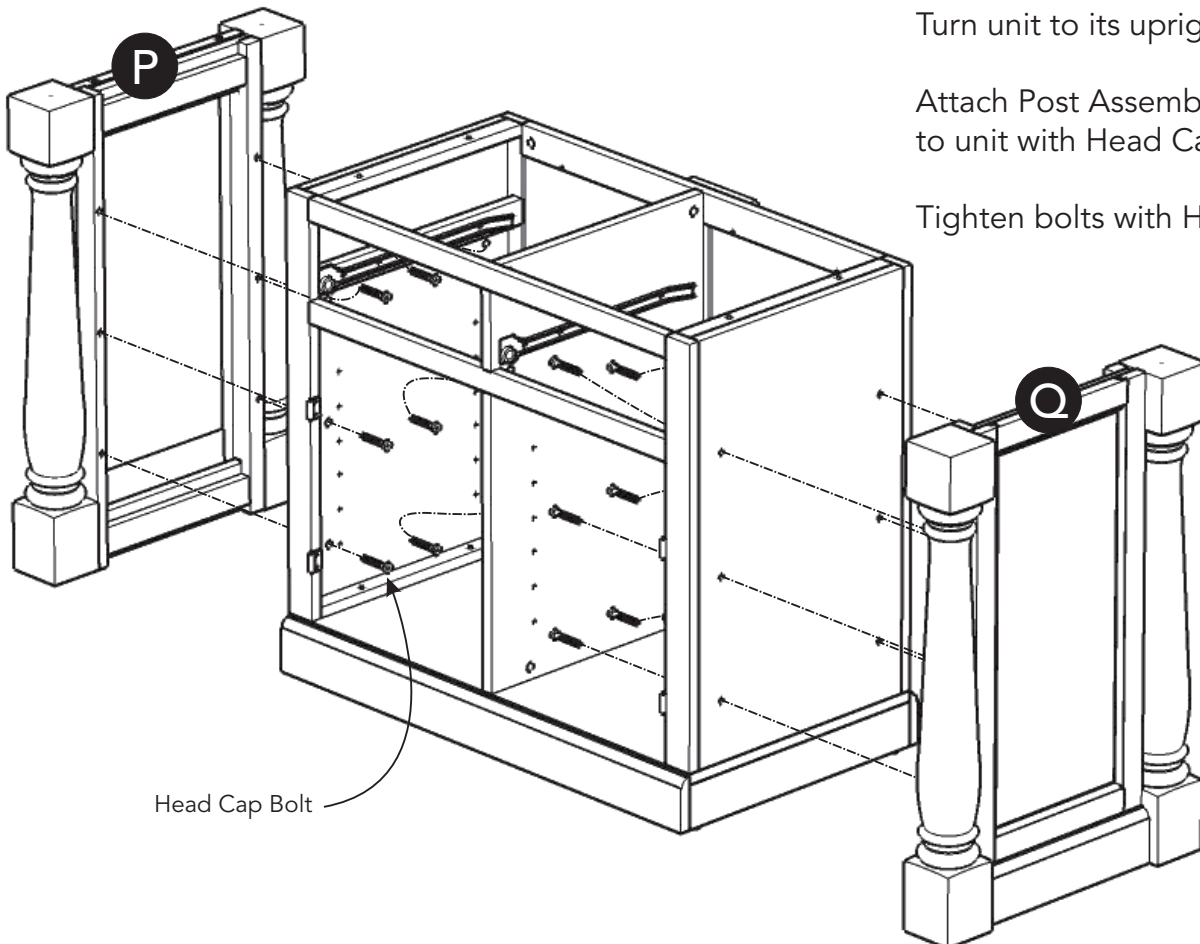
Figure 4

STEP 6

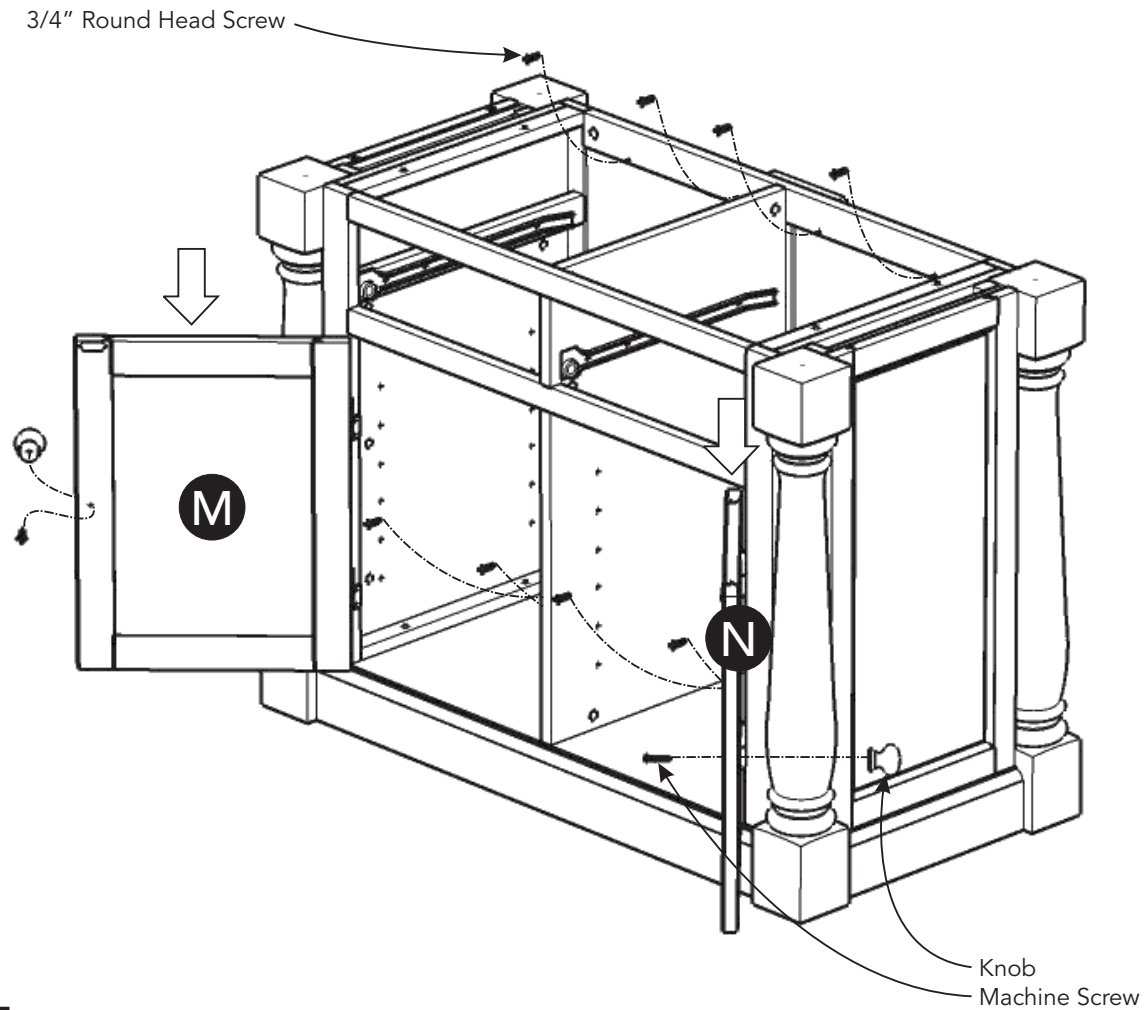
Turn unit to its upright position.

Attach Post Assemblies (P) and (Q) to unit with Head Cap Bolts.

Tighten bolts with Hex Wrench.



Assembly Instructions 5/9



STEP 7

Level unit by adjusting the adjustable levelers on bottom of unit. (See Figure 5)

Note: Unit must be level to proceed.

Insert 3/4" Round Head Screws into pre-drilled holes in back of unit, then tighten.

Note: Unit must be level before tightening these screws.

Attach Doors (M) and (N) to unit by sliding door hinges into side panel hinges. (See Figure 6)

Attach Knobs to Doors (M) and (N) with Machine Screws. (See Figure 7)

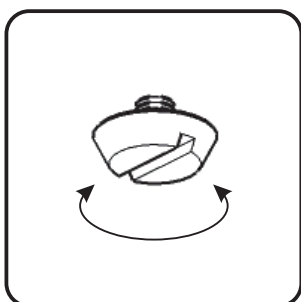


Figure 5

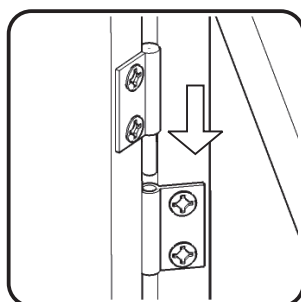


Figure 6

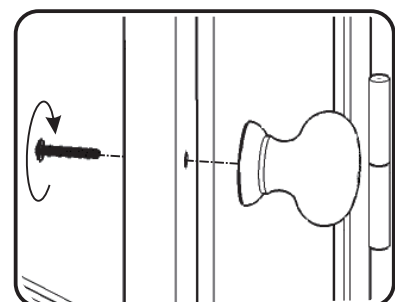
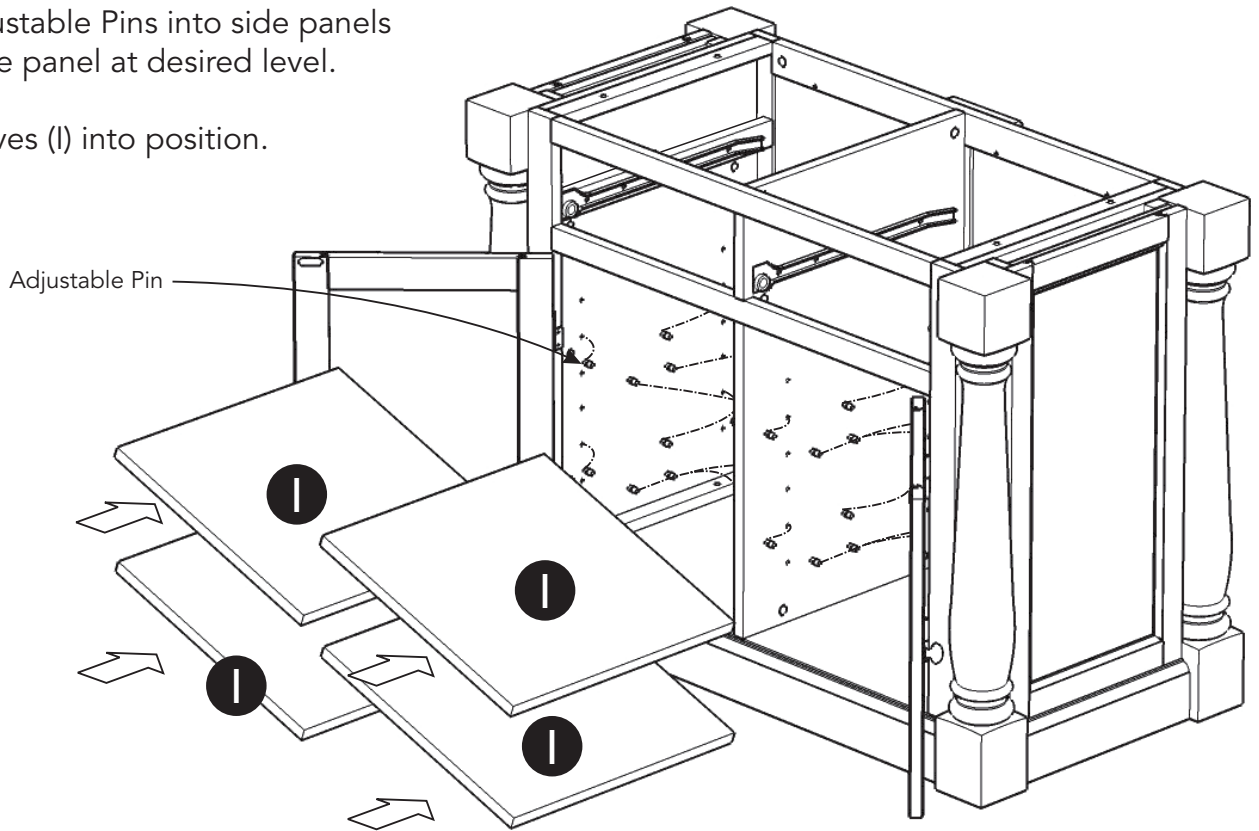


Figure 7

STEP 8

Insert Adjustable Pins into side panels and middle panel at desired level.

Slide Shelves (I) into position.



STEP 9

Place Top (A1) and Leaf Top (A2) upside down on a soft cloth.

Attach Leaf Top (A2) to Top (A1) with 3/4" Flat Head Screws into pre-drilled holes. (See Figure 8)

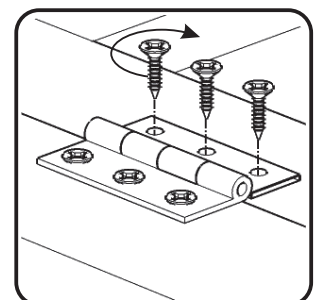
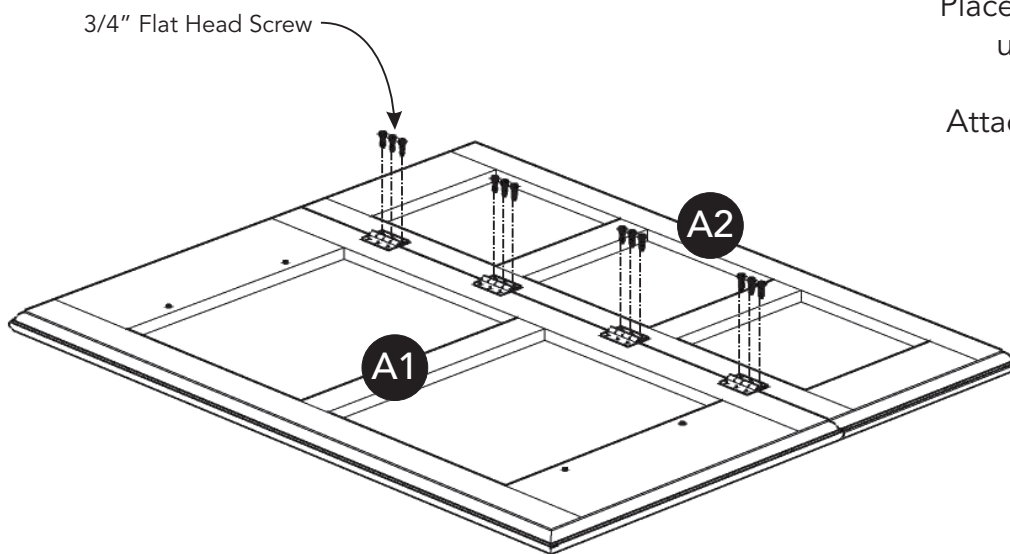
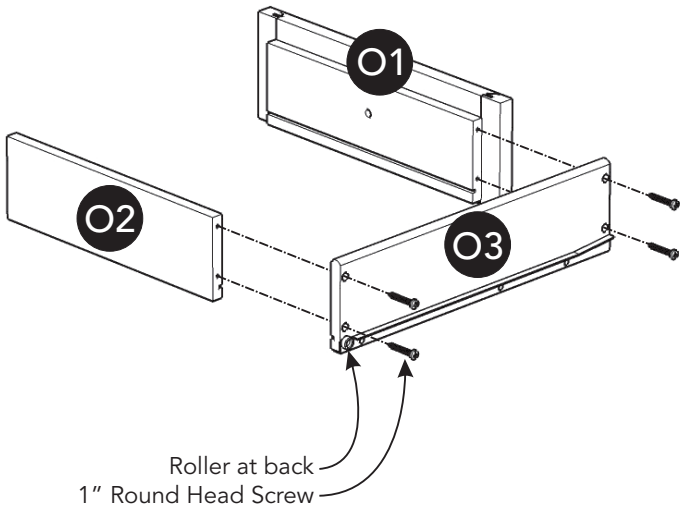


Figure 8

Assembly Instructions 7/9

Drawer (O)



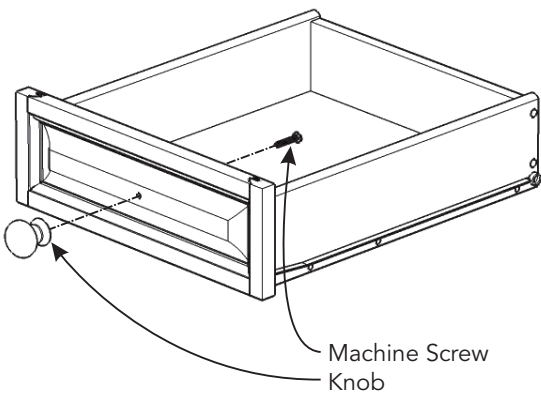
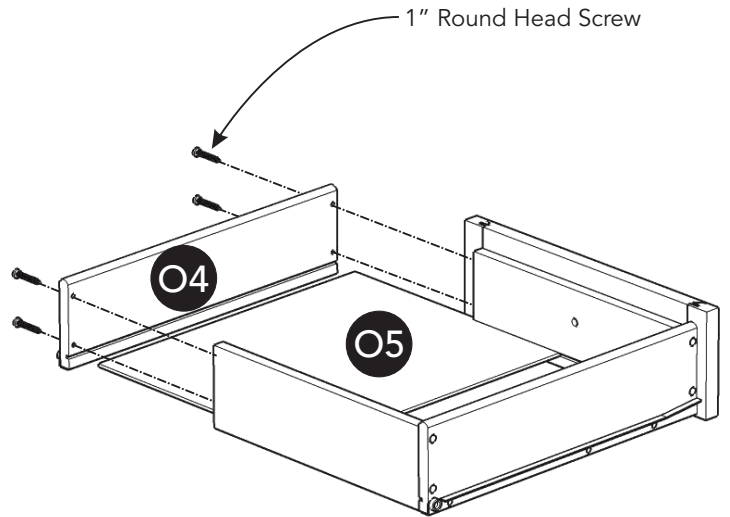
STEP 10

Attach Drawer Front (O1) and Drawer Back (O2) to Drawer Side (O3) with 1" Round Head Screws.

STEP 11

Slide Drawer Bottom (O5) into groove.

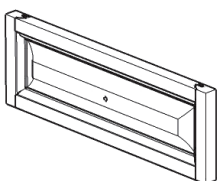
Attach Drawer Side (O4) to unit with 1" Round Head Screws.



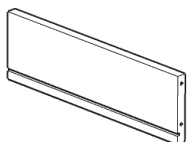
STEP 12

Attach Knob with Machine Screw.

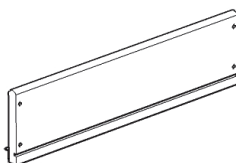
Part List



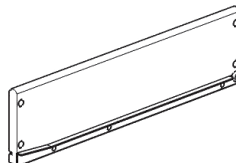
O1.
Drawer Front
2 pcs.



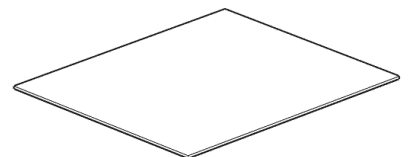
O2.
Drawer Back
2 pcs.



O3.
Drawer Side
2 pcs.



O4.
Drawer Side
2 pcs.



O5.
Drawer Bottom
2 pcs.

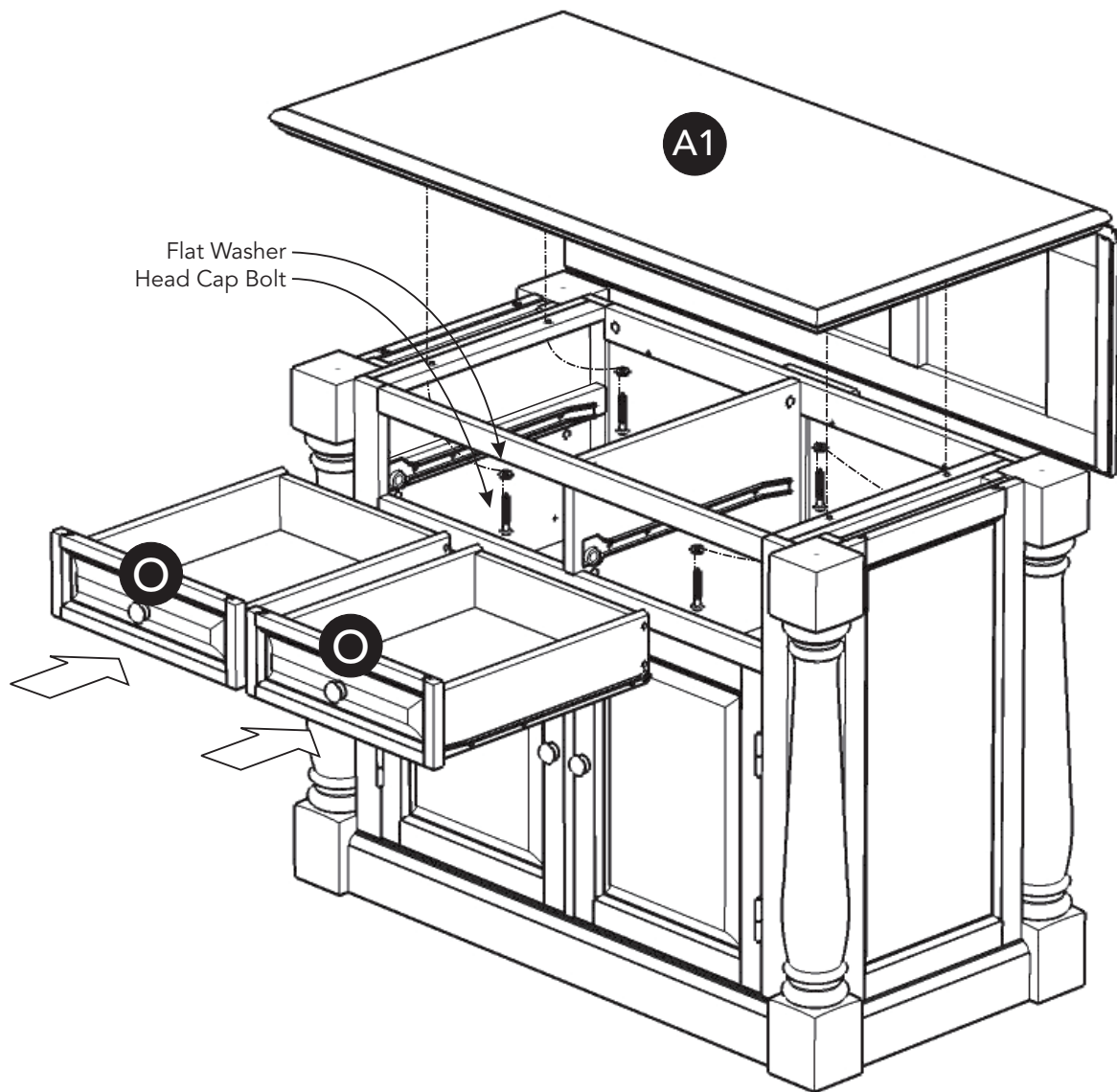
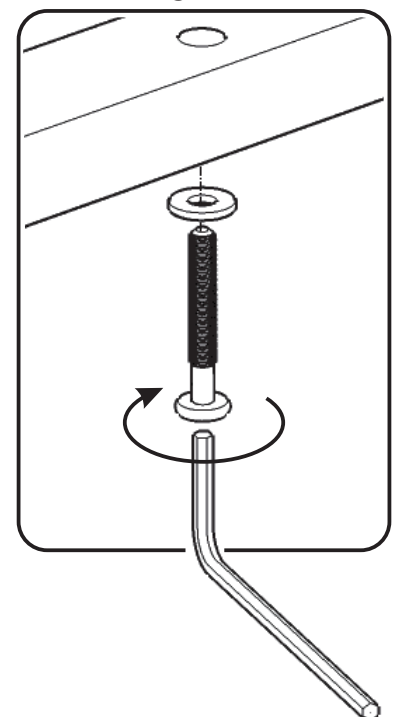


Figure 9

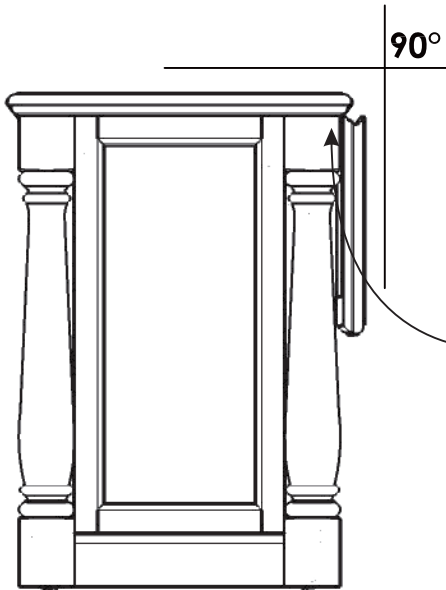
STEP 13

Attach Top (A1) to unit with Flat Washers and Head Cap Bolts.
(See Figure 9)

Slide Drawers (O) into position.



STEP 14



When leaf top is down, it should be oriented vertically.

If it is not vertical and adjustment is desired, turn the adjuster on adjuster block on back rail. (See Figure 10)

Adjuster Block

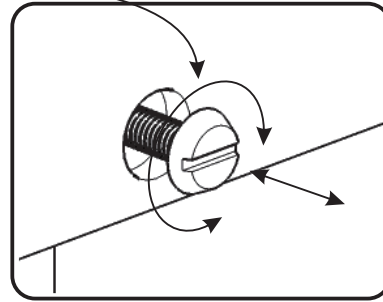
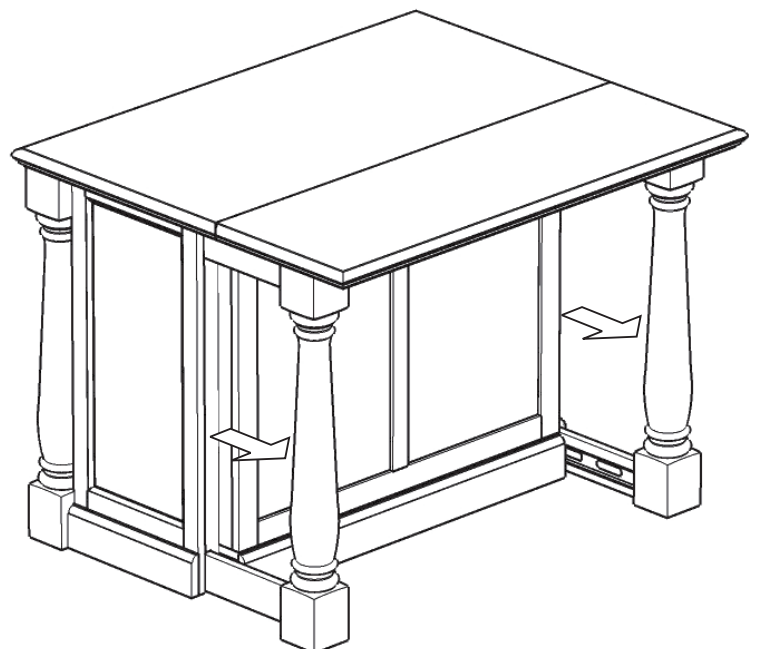
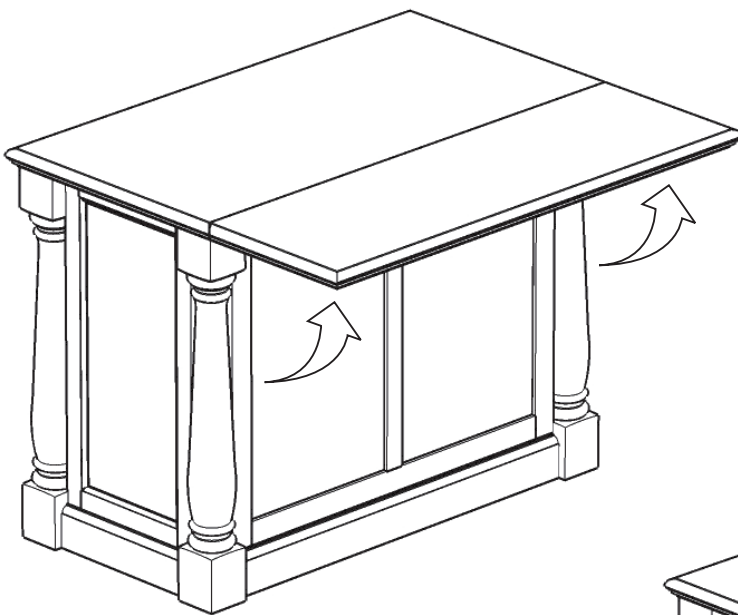


Figure 10

Top Extension Instructions

STEP 15

Lift up leaf top.



STEP 16

Holding leaf top up, pull out a back post from unit; then pull out other back post.

Note: Unit must be level to work properly.

CARE INSTRUCTIONS

NEVER

allow liquids to remain on furniture.
Absorption causes parts to warp
and split and finishes to delaminate.

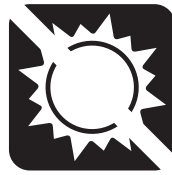
NEVER

use glass cleaners on
finished furniture. Ammonia
chemically attacks the finish.



Do not use power tools
above 8 volts to assemble.

**PREVENT
CRACKING**



Do not place
in direct sunlight.

**PREVENT
FADING**



Do not write
directly on surface.

**PREVENT
MARKING**



Do not place hot
objects on surface.

**PREVENT
FINISH DAMAGE**



Do not use rubber
based placemats.

**PREVENT
DISCOLORING**



Do not use commercial
waxes and polishes.

**PREVENT
YELLOWING**

CLEAN

with a soft cloth moistened
in lukewarm soap and water.
Buff with a dry clean cloth.



Home Styles will provide replacements free of charge for missing or damaged hardware or parts within 30 days of purchase. Digital images of the defective parts may be required. If the product was not purchased from an authorized retail affiliate, Home Styles is under no obligation to provide replacement parts. Parts are not available for fully assembled items nor are parts available for sale. Replacements for missing or damaged hardware or parts may be requested at:

www.homestyles-furniture.com/customer-service/replacement-parts

Home Styles Customer Service: www.homestyles-furniture.com,
servicedesk@homestyles-furniture.com, 888-680-7460, 877-831-0319