



PERRIN & ROWE® FLOOR MOUNTED BATHTUB FILLER

Perrin & Rowe® Bath Transitional
U.KIT3807LS (Lever Handles)

FEATURES

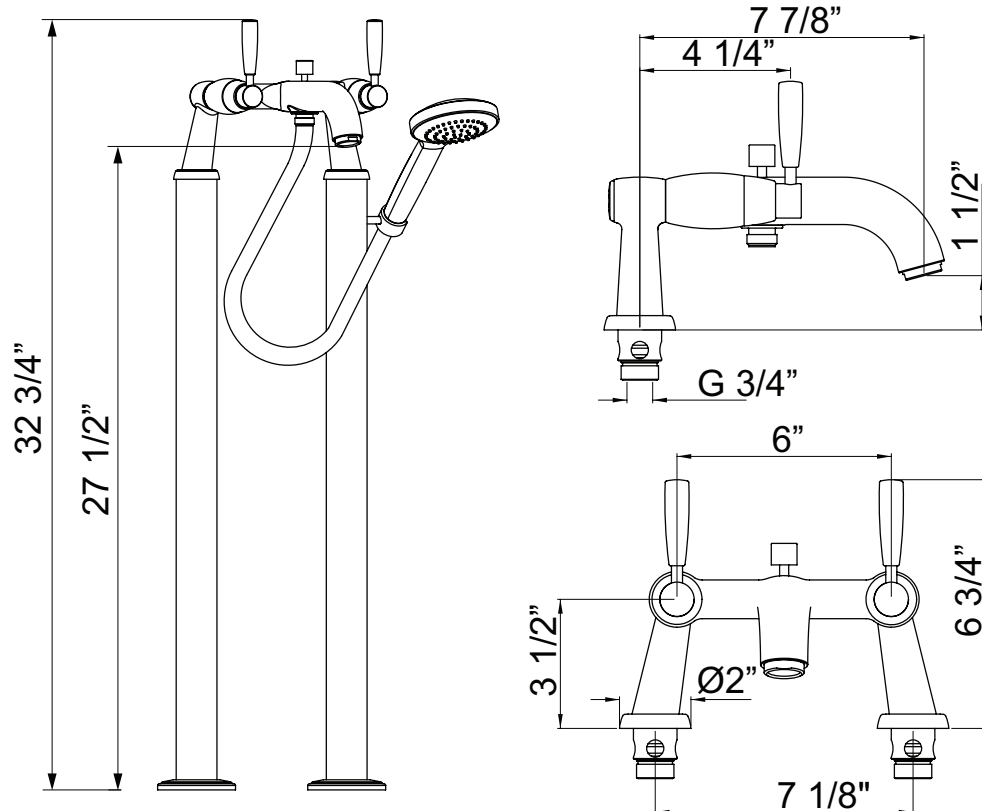
- Kit includes:
 - U.3807LS Exposed Tub Mixer
 - U.6807 Floor Legs
 - U.5815* Handshower 1.75 GPM
 - 9.28385 Hose
- Must be installed with a listed in-line device complying with ASSE1070
- *Optional upgrade to multi-functional handshower: use U.5810 to replace U.5815

COLORS/FINISHES

- Polished Chrome
- Polished Nickel
- Satin Nickel

WARRANTY

- Limited Lifetime



INSTALLATION INSTRUCTIONS

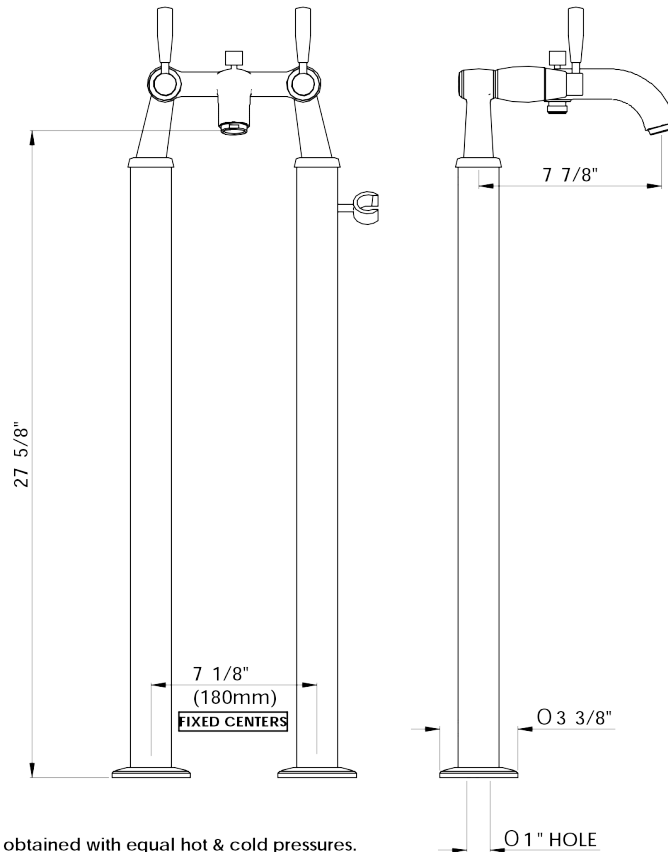


The Transitional Bathroom Collection

Installation & User Guide

TUB SHOWER MIXER ON FLOORLEGS

- U.3807LS • U.3808X - TUB SHOWER MIXER
- U.6807 - PAIR OF FLOORLEGS



Temp Range:

Min 34°F
Max 185°F

Recommended Working Pressure:

Min 15 psi
Max 75 psi

Ideal performance obtained with equal hot & cold pressures.

- Must be installed with a listed in-line device complying with ASSE1070

INSTALLATION INSTRUCTIONS

The Transitional Bathroom Collection Installation & User Guide

Congratulations on the purchase of your Perrin & Rowe Bathroom Product. Correctly installed and with sensible care, this product will give you many years of trouble free service.

IMPORTANT INFORMATION

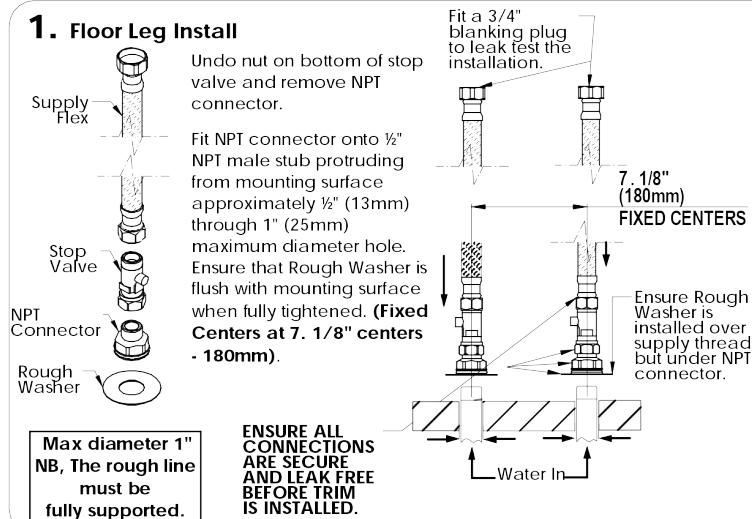
Before you proceed... We recommend you engage the services of a registered plumber to install this product.

In addition to the guide below it is essential that the written information overleaf is carefully read and understood.

Preparation Check Box for Installer

- Flush the plumbing system before installing the bathroom product.

1. Floor Leg Install



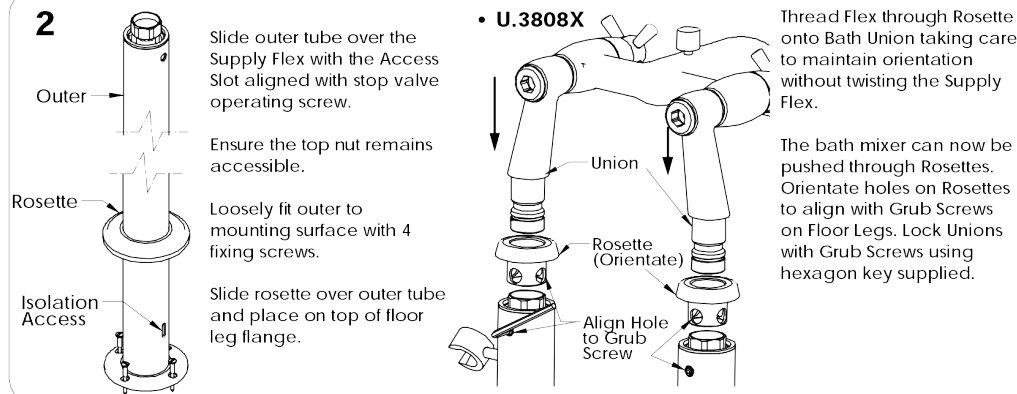
Locate stop valve onto NPT connector with slotted operating screw facing the rear of the installation, fully tighten bottom nut. Check that slotted operating screw has remained in position.

The rough line should now be leak tested by using the in-line isolating valve.

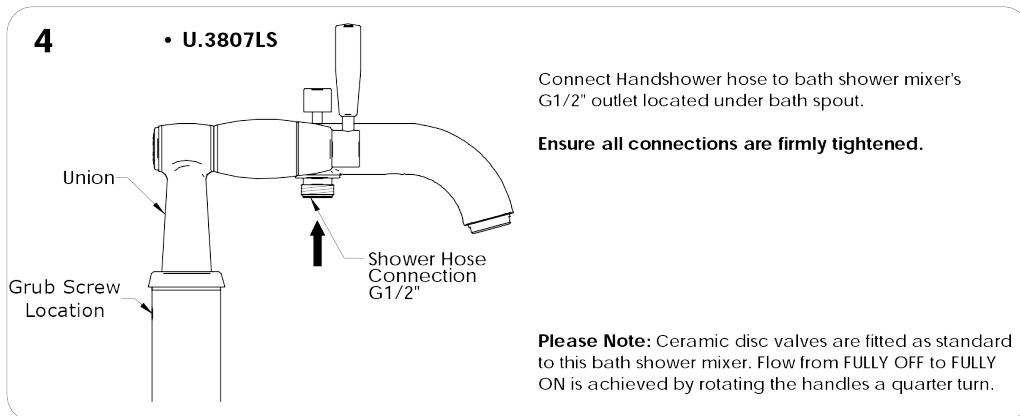
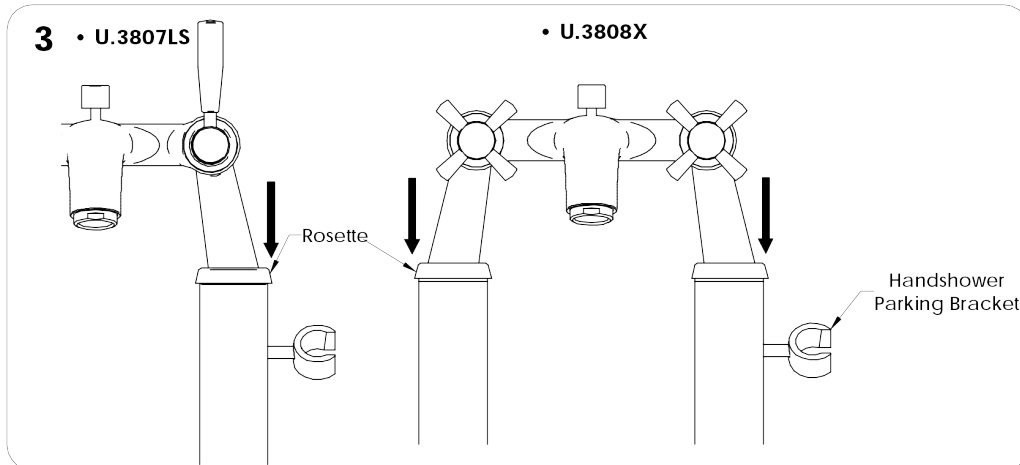
It is also recommended to fit a 3/4" blanking plug to leak test the Supply Flex and joint.

IMPORTANT: If the supply line in the floor is not reinforced to prevent movement down, there is a possibility of leaks.

2



INSTALLATION INSTRUCTIONS



BEFORE USE

- Carefully check the installation for leaks.
- If further building work is to be carried out in the vicinity, cover the tap with a plastic bag to avoid damaging the finish.
- Please ensure that the installation complies with the water supply bye-laws.

CARE & MAINTENANCE

Wipe down after use to avoid water spotting and mineral build up.

Occasional cleaning with warm soapy water, followed by a polish with a soft cloth is all that is required to keep the plated finish in good condition.

Do not use proprietary abrasive liquids, powders, or pads to clean the shower. Do not use any products with ammonia bleach or limescale remover. You will damage the plated finish and void your guarantee.

INSTALLATION INSTRUCTIONS

ROHL WARRANTY POLICY

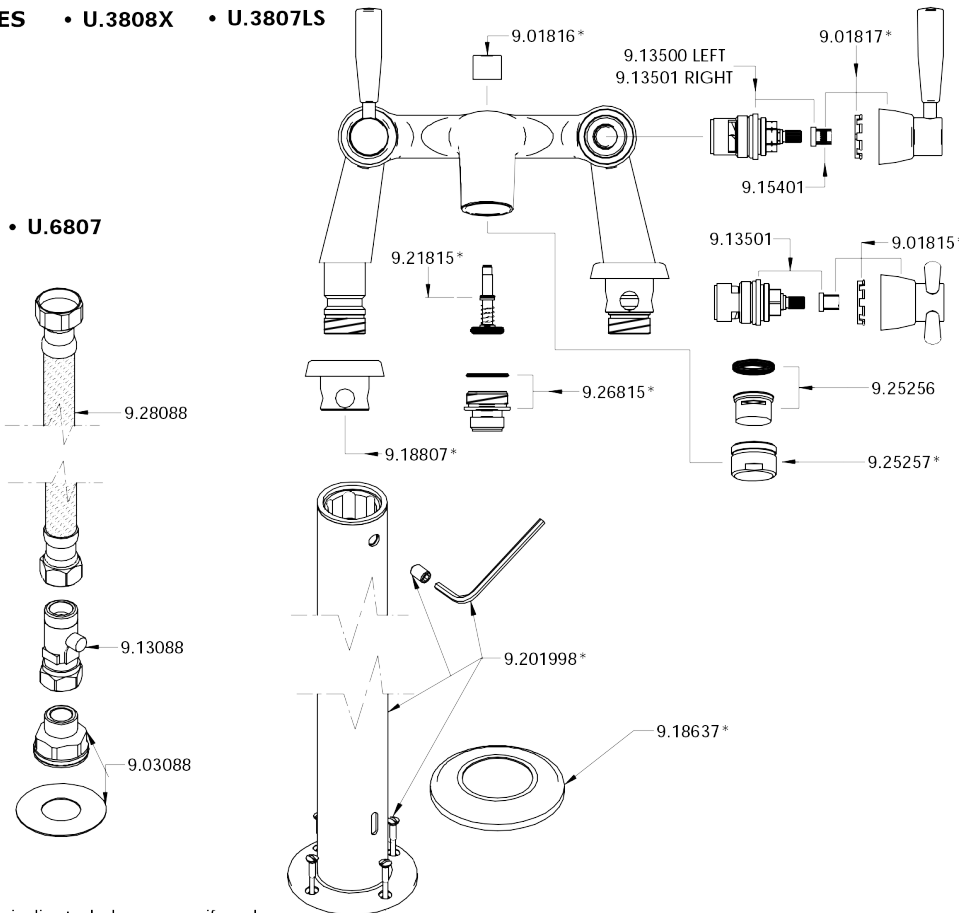
All products supplied by ROHL carry warranties against manufacturing defects.

Perrin & Rowe products carry a Limited Lifetime Warranty.

ROHL LLC will provide free of charge, as its options, replacement part(s) or product (or a comparable alternative product) to replace those which have proven defective in materials or workmanship.

For full ROHL LLC WARRANTY please contact ROHL or visit www.rohlhome.com

SPARES • U.3808X • U.3807LS



SPARE PARTS & SERVICE

ROHL
Authentic Luxury for Kitchen and Bath™

3 Parker
Irvine
CA 92618
(714) 557-1933

www.rohlhome.com

Perrin & Rowe products are manufactured in England using quality materials, the latest technology and built to the highest standards.

We would like to thank you for purchasing this Perrin & Rowe product and invite you to view the comprehensive range of Perrin & Rowe tapware, shower fittings, bathroom accessories, soap dispensers and bathroomware.

Please contact us to receive our latest product catalogues or view them online at www.rohlhome.com