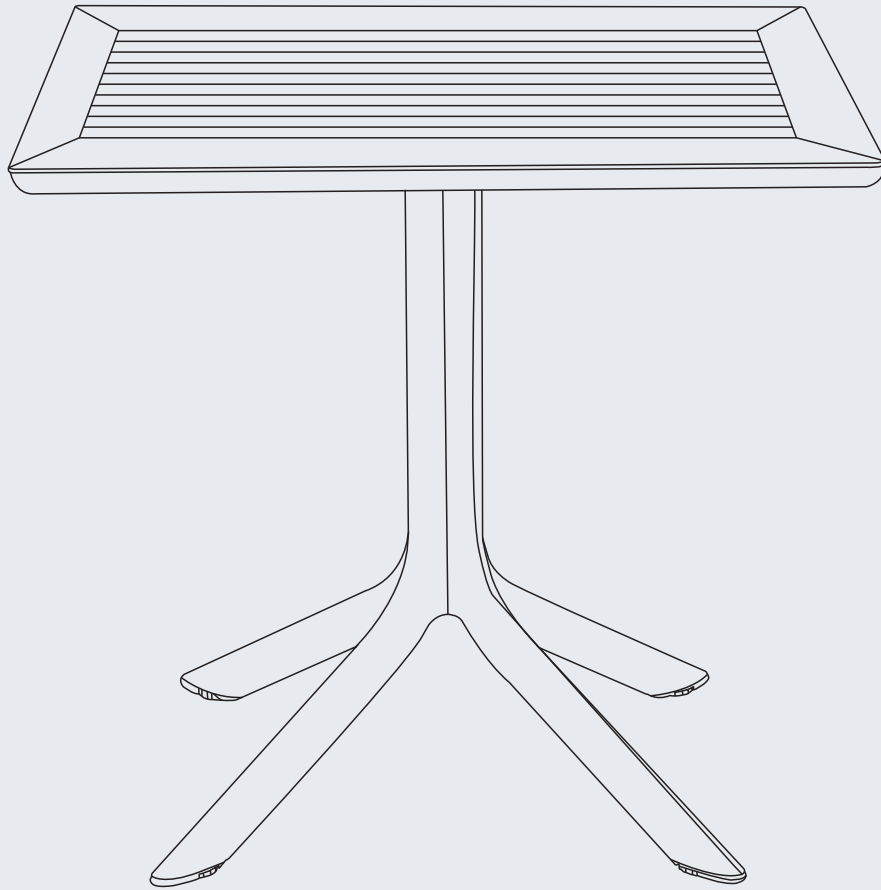


INSTRUCTION MANUAL



31.5" Outdoor Square Dining Table

V1.0

! CARE & MAINTENANCE

- Be careful when assembly, avoid hurting the product.
- Clean the dust with lukewarm water, mild detergent & soft cloth.
- Firmly secure all bolts before use, do not use any part of this item as a step ladder.
- Reconfirm that all bolts, screws, and nuts are secure every 90 days.
- Do not use or store this item in the proximity of open flame or flammable/combustible chemicals.

TOOLS REQUIRED



180 LBS
CAPACITY

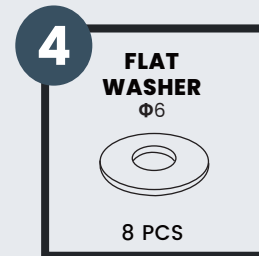
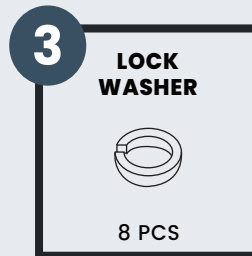
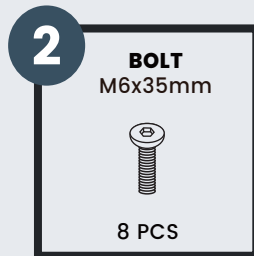


1 PERSON
ASSEMBLY

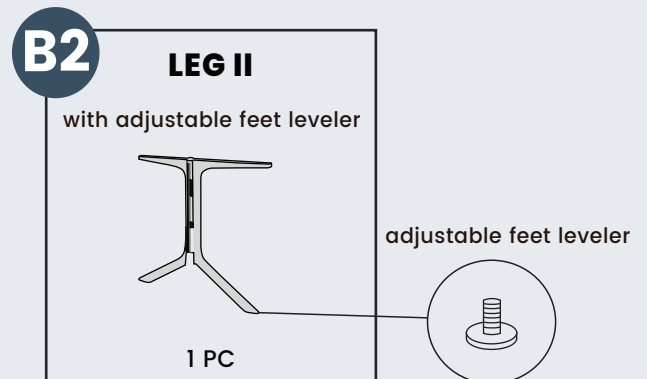
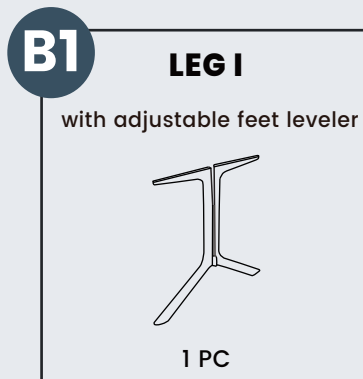
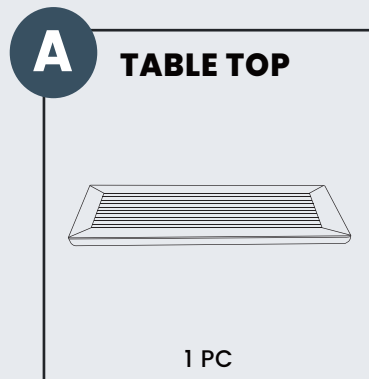


UP TO 20 MIN.
ASSEMBLY

HARDWARE

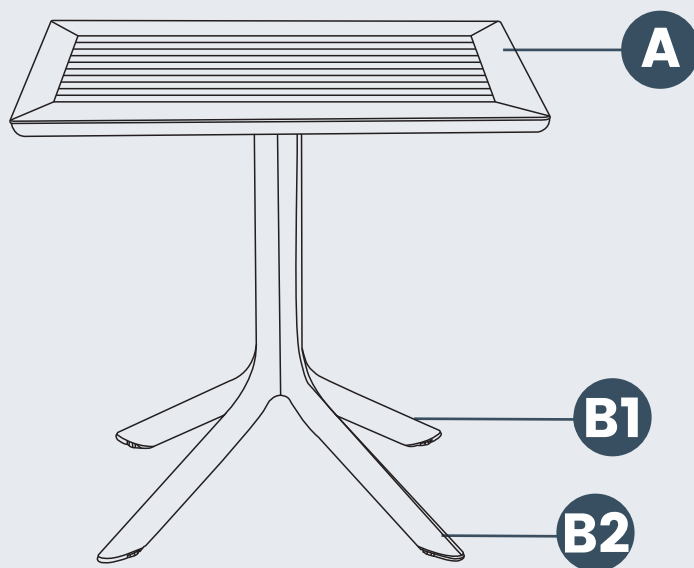


PARTS



PRODUCT ASSEMBLY – OVERALL VIEW

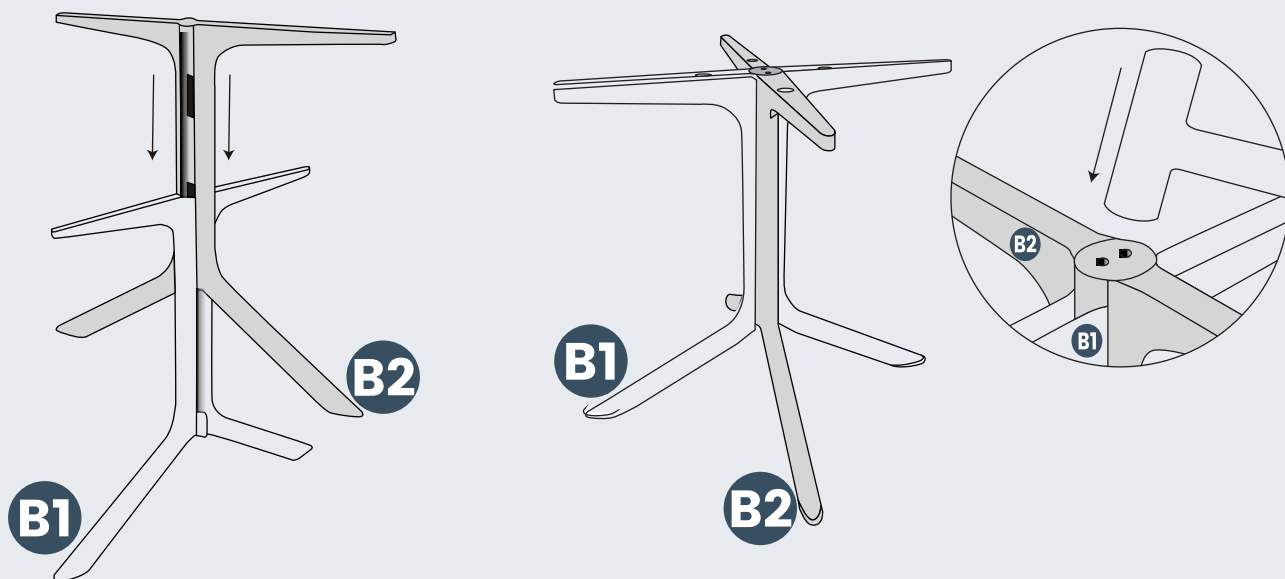
Look at the overall view of this table and learn the exact position of each part to be assembled.



PRODUCT ASSEMBLY

1

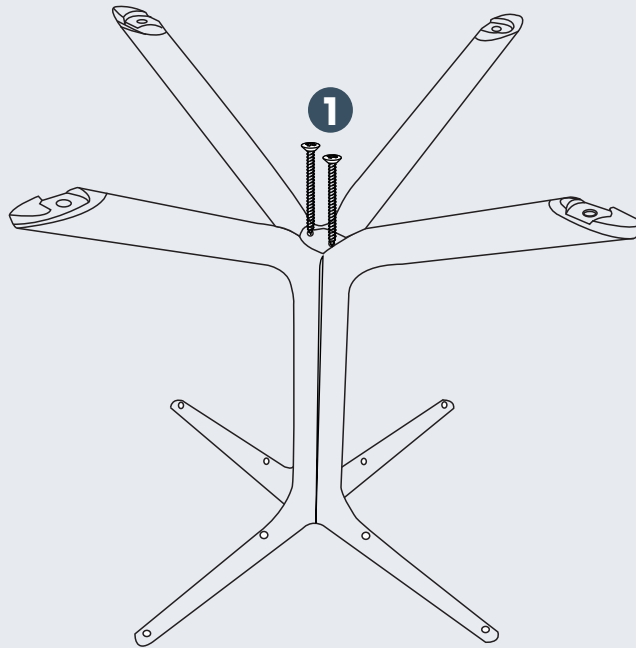
Slide **Part B2 Leg II** on **Part B1 Leg I** as shown below. Make sure the top of **Part B1 & B2** are aligned and gently tap with a rubber mallet if necessary.



PRODUCT ASSEMBLY

2

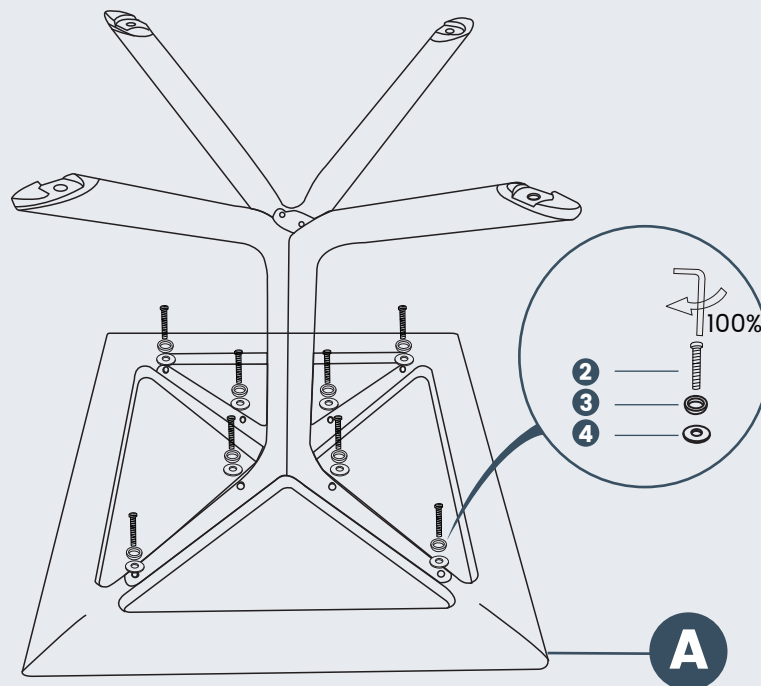
Turn over the legs. Attach 2pcs of **Hardware #1 Self-tapping Screws** on the bottom of **Part B1 Leg I** by using a screwdriver. 100% tighten at this step.



PRODUCT ASSEMBLY

3

Put **Part A Table Top** upside down on a clean aground. Attach **Combined Part (B1+B2)** on the bottom of **Part A Table Top** with 8 sets of **Hardware (#2 Bolt + #3 Lock Washer + #4 Flat Washer)** by using an allen wrench. 100% tighten at this step.

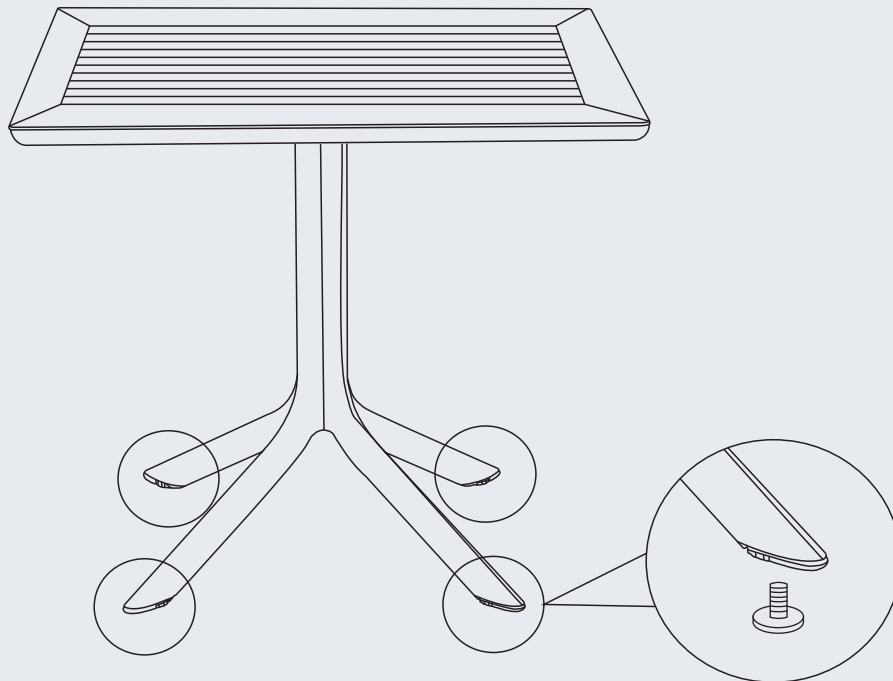


PRODUCT ASSEMBLY

4

Adjust the feet levelers on the bottom of the legs for perfect balance.

Enjoy the table now.



adjustable feet leveler

CLEANING TIPS

REGULAR CLEAN: Use a mixture of warm water and mild soap. Gently scrub the surface with a soft bristle brush to remove any dirt or stains.

QUICK CLEAN: You can simply wipe down the furniture with a damp cloth.

Regular cleaning not only preserves the aesthetic appeal of your furniture, but also helps extend its lifespan.