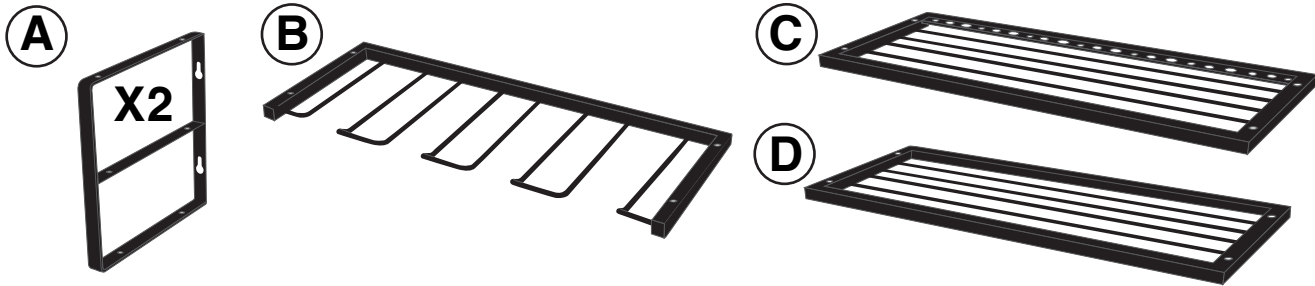


16 IN. POWER TOOL STORAGE RACK

W7701

PARTS:

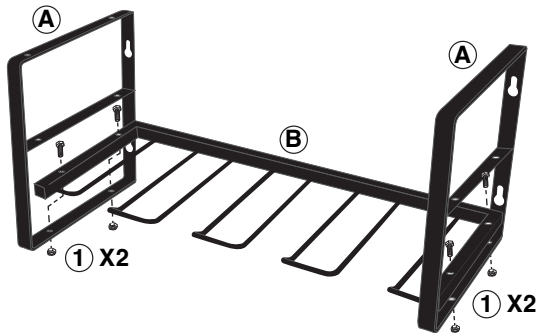


FASTENERS & TOOLS:



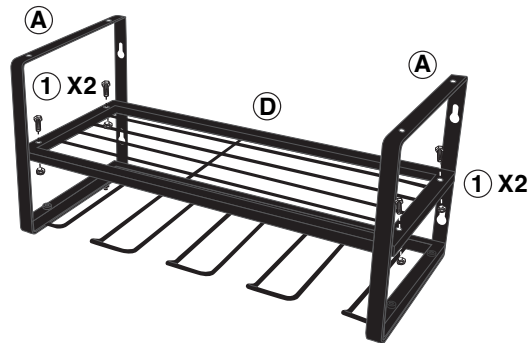
STEP 1.

Connect part (B) to parts (A) with fasteners (1).



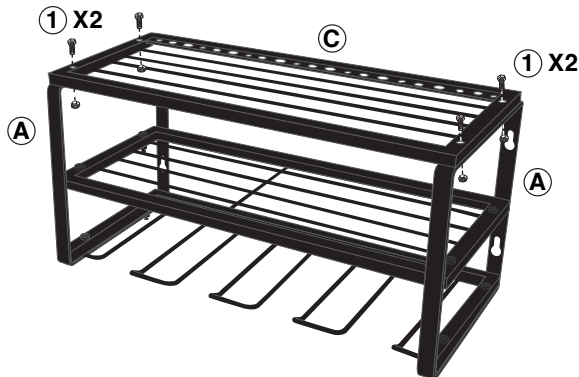
STEP 2.

Connect part (D) to parts (A) with fasteners (1).



STEP 3.

Connect part (C) to parts (A) with fasteners (1). Position part (C) with the holes to the rear. Tighten all fasteners with tools (3) and (4).



STEP 4.

Use appropriate hardware to secure the rack to the wall, using all four mounting holes for maximum strength. Four sets of panhead screws and drywall anchors (2) have been included with the rack.



PT
Performance Tool

Performance Tool[®]