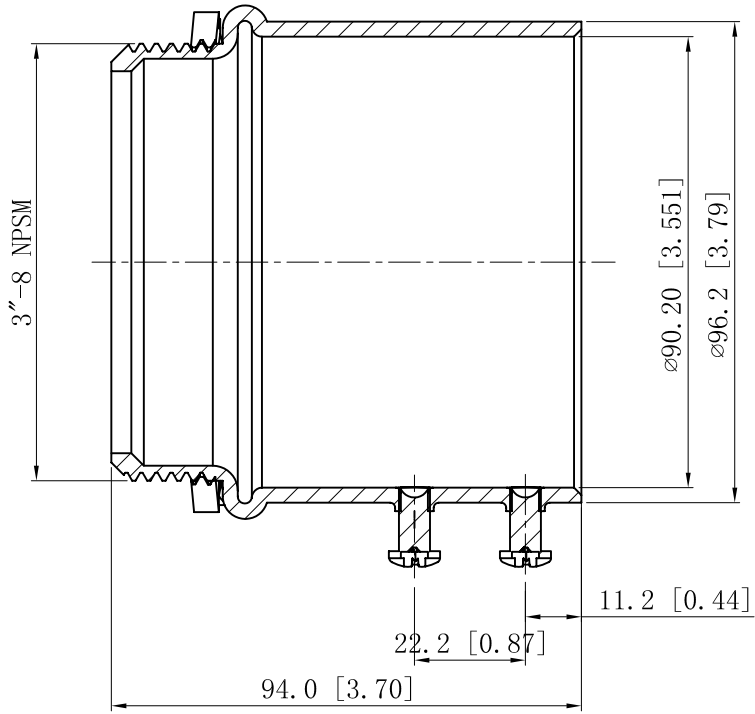
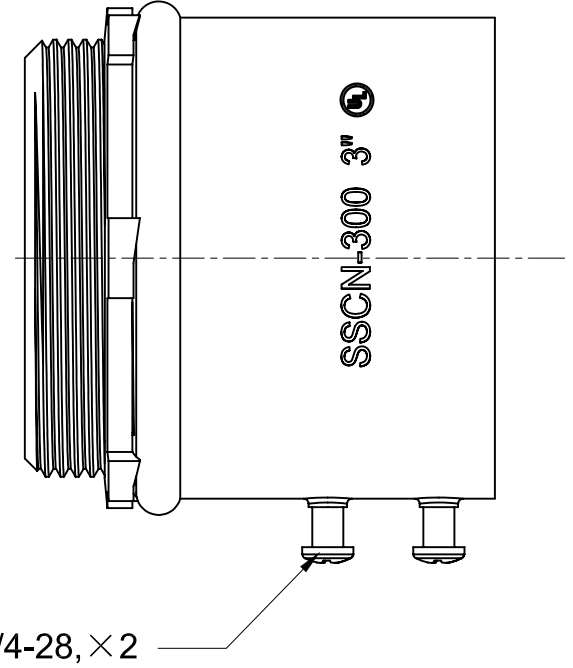
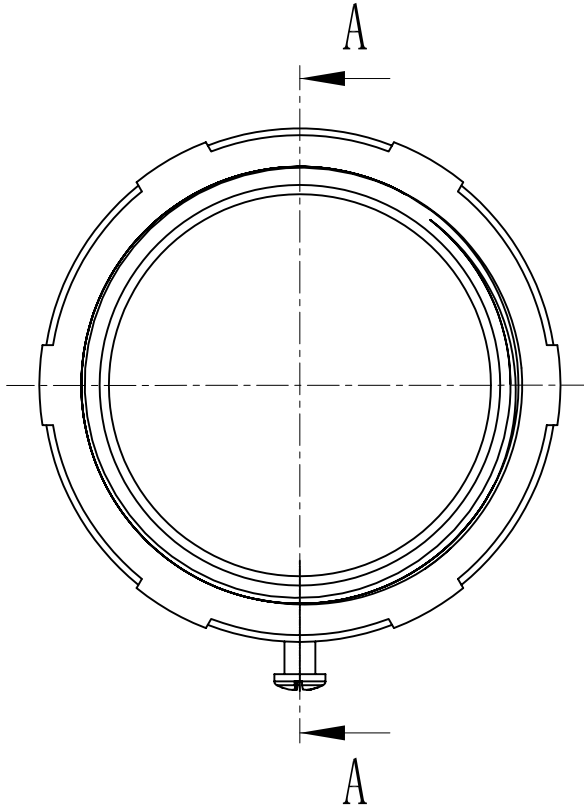


SIDES	BOTTOM
2 pcs #1/4-28×1/2 Screws Installed	
Material:Steel-Welding tube, zinc plated	



CUTAWAY VIEW A-A



#1/4-28, ×2

DESCRIPTION
TRADE REFERENCE TERMS

This data sheet is for reference only .GARVIN INDUSTRIES reserves the right to make changes to the design without prior notice.

STANDARD PACKING	<h1 style="text-align: center;">GARVIN INDUSTRIES</h1> <h2 style="text-align: center;">STEEL EMT SET SCREW CONNECTORS</h2>		
5 PCS			
	TITLE	DWG NO.	REV
	A4	SSCN-300	A
	DATA SHEET		