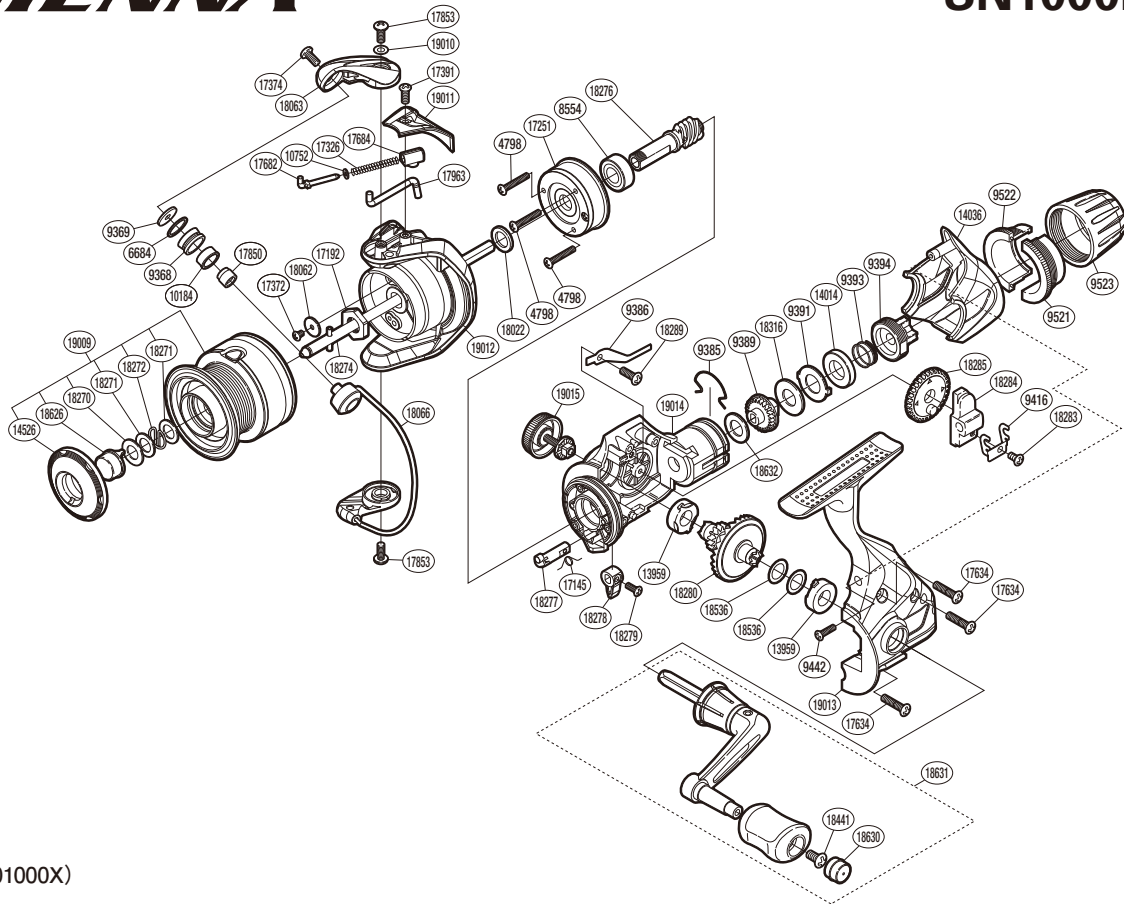


SHIMANO

SIENNA

SN1000RE



(51SF201000X)

#	Part No.	Description	#	Part No.	Description	#	Part No.	Description
4798	103C6	Screw	17145	105B4	Anti-Reverse Cam Spring	18277	10SS7	Anti-Reverse Cam
6684	10KFD	Line Roller Spacer	17192	1067Y	Rotor Nut	18278	10SSA	Anti-Reverse Lever
8554	107FE	Ball Bearing	17251	10QPN	Roller Clutch Assembly	18279	10L1V	Screw
9368	10JLF	Line Roller	17326	10R2N	Bail Spring	18280	10SS0	Drive Gear
9369	10PFP	Washer	17372	10LCE	Screw	18283	10L23	Screw
9385	10P3W	Hold Click Spring	17374	10K90	Screw	18284	101TT	Oscillating Slider
9386	10P0E	Drag Click	17391	10LFC	Screw	18285	101TU	Oscillating Gear
9389	10MXP	Drag Shaft	17634	10L6Q	Screw	18289	10LFJ	Screw
9391	10N7X	Eared Washer	17682	1061L	Bail Spring Guide A	18316	107CV	Drag Washer
9393	10NBE	Drag Coil Spring	17684	107AB	Bail Spring Seat	18441	10L25	Screw
9394	10MV8	Pressure Screw	17850	1020X	Line Roller Collar	18536	1003B	Washer
9416	10JZH	Oscillating Slider Retainer	17853	10LFH	Screw	18626	10JRS	Push Button
9442	10L1X	Screw	17963	106L0	Bail Trip Lever	18630	10B99	Handle Knob Seal
9521	107TY	Drag Programmer B1	18022	10JVH	Washer	18631	10247	Handle Assembly
9522	10NC8	Drag Programmer B2	18062	1019V	Washer	18632	10P0S	Drag Washer
9523	10MVN	Drag Programmer A	18063	101U7	Bail Arm	19009	10T3W	Spool Assembly
10184	10PFH	Line Roller Bushing	18066	10DH9	Bail Assembly	19010	100MF	Washer
10752	10TYE	Bail Spring Guide A Support	18270	10AX1	Washer	19011	10T42	Bail Spring Cover
13959	10J6N	Drive Gear Bushing	18271	10AX4	Washer	19012	10T41	Rotor
14014	10BX6	Drag Collar	18272	10AX2	Locking Spring	19013	10T3S	Side Cover
14036	10NE1	Rear Protector	18274	10EC6	Main Shaft	19014	10T43	Body
14526	10QQ6	Push Button Collar	18276	10SG0	Pinion Gear	19015	10T3K	Handle Screw Cap

Please note that the number of adjusting washers may not be the same as shown in the exploded views.
(Adjustment will vary with each individual product.)

(230823)_002