

PARTS LIST

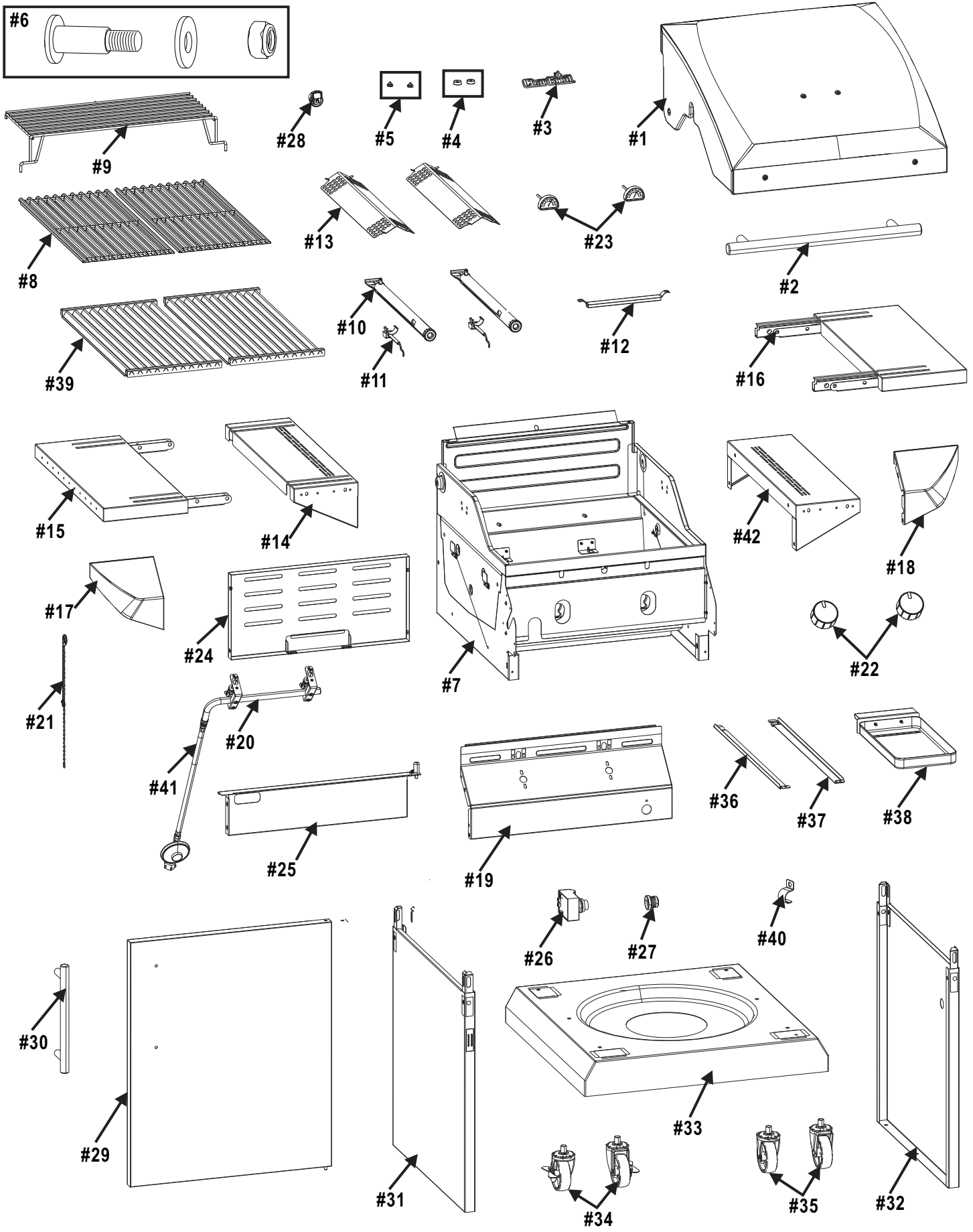
Key	Qty	Description
1	1	TOP LID
2	1	HANDLE F/ TOP LID
3	1	LOGO PLATE
4	2	RUBBER BUMPER, W/ HOLE, F/ TOP LID
5	2	RUBBER BUMPER, LID
6	1	HARDWARE F/ TOP LID ASSEMBLY
7	1	FIREBOX
8	2	COOKING GRATE
9	1	WARMING RACK
10	2	MAIN BURNER, F/ FIREBOX
11	2	ELECTRODE W/ WIRE/COLLECTOR, F/ MAIN BURNER
12	1	CARRY OVER, F/ MAIN BURNER
13	2	HEAT TENT
14	1	SIDE SHELF, FIXED
15	1	LEFT SIDE SHELF, FOLDING
16	1	RIGHT SIDE SHELF, FOLDING
17	1	FASCIA, F/ LEFT SIDE SHELF
18	1	FASCIA, F/ RIGHT SIDE SHELF
19	1	MAIN CONTROL PANEL
20	1	VALVE ASSEMBLY
21	1	MATCH HOLDER
22	2	CONTROL KNOB
23	2	THERMOMETER
24	1	CART UPPER BACK PANEL
25	1	FRONT DOOR BRACE
26	1	ELECTRONIC IGNITION MODULE
27	1	CAP, F/ ELECTRONIC IGNITION MODULE
28	1	IGNITER SWITCH MODULE
29	1	DOOR, NO HANDLE
30	1	DOOR HANDLE
31	1	CART LEFT SIDE PANEL
32	1	CART RIGHT SIDE PANEL
33	1	BOTTOM SHELF
34	2	CASTER, LOCKING
35	2	CASTER, FIXED
36	1	LEFT RAIL, F/ GREASE TRAY
37	1	RIGHT RAIL, F/ GREASE TRAY
38	1	GREASE TRAY
39	2	COOKING GRATE, INFRARED EMITTER
40	1	HOSE CLIP, F/ CART
41	1	REGULATOR (COUNTRY SPECIFIC, IF SUPPLIED)
42	1	SIDE SHELF, FIXED W/ LABEL

NOT Pictured

...	1	IR CLEANING TOOL
...	1	DOOR MAGNET
...	1	CASTER PIN
...	1	HARDWARE PACK
...	1	ASSEMBLY/ OPERATIONS MANUAL, EUROPEAN

NOTE: Some grill parts shown in the assembly steps may differ slightly in appearance from those on your particular grill model. However, the method of assembly remains the same.

PARTS DIAGRAM • 468100215 • 468600215



PARTS DIAGRAM • 468200215 • 468500215

