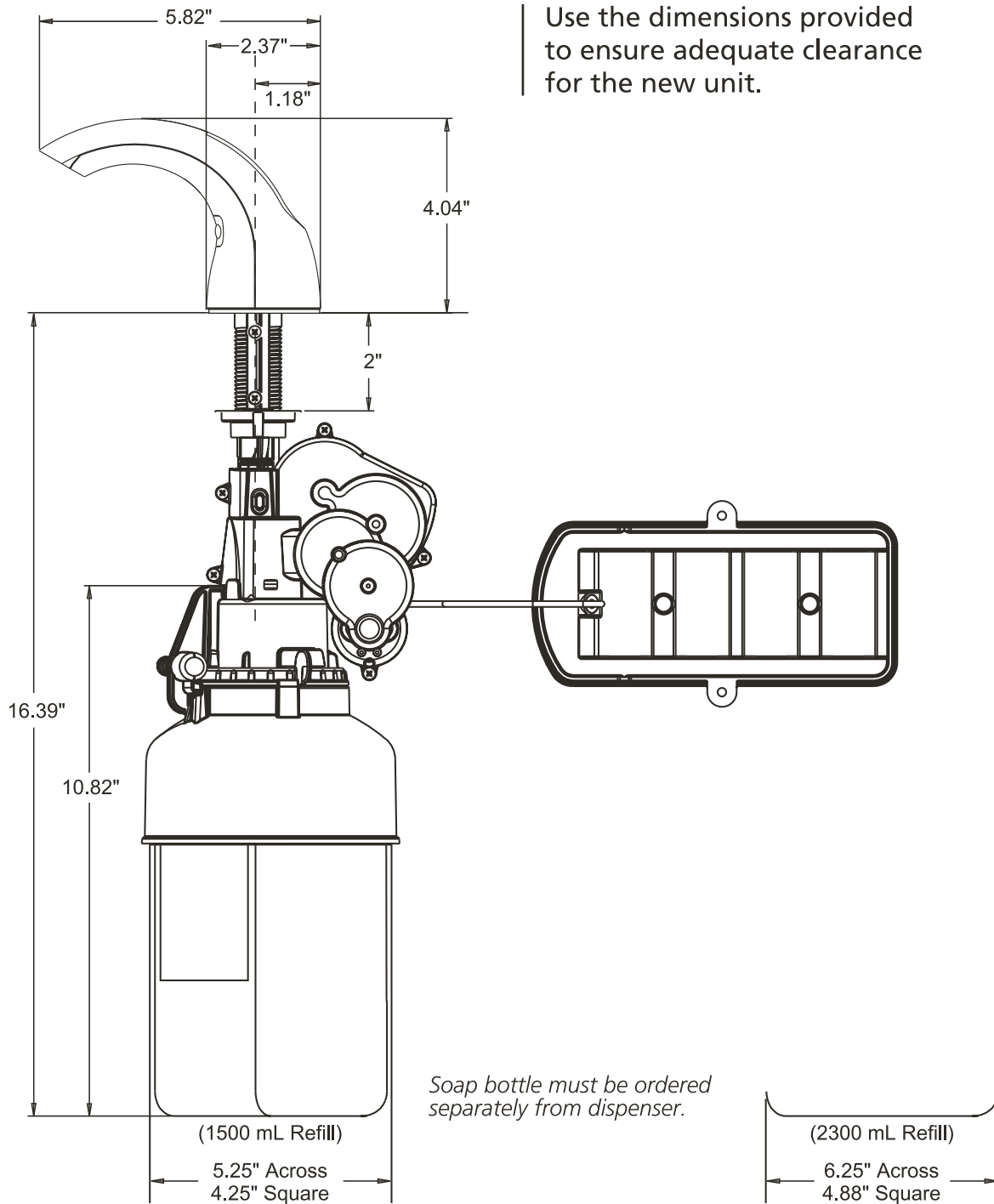


# GOJO® CXT™ DISPENSER DIMENSIONS

These dimensions apply to the GOJO CXT dispenser.



Side View



GOJO Industries, Inc.  
One GOJO Plaza, Suite 500  
P.O. Box 991 • Akron, OH 44309-0991  
Tel: 1-330-255-6000 • Toll-free: 1-800-321-9647  
Fax: 1-800-FAX-GOJO