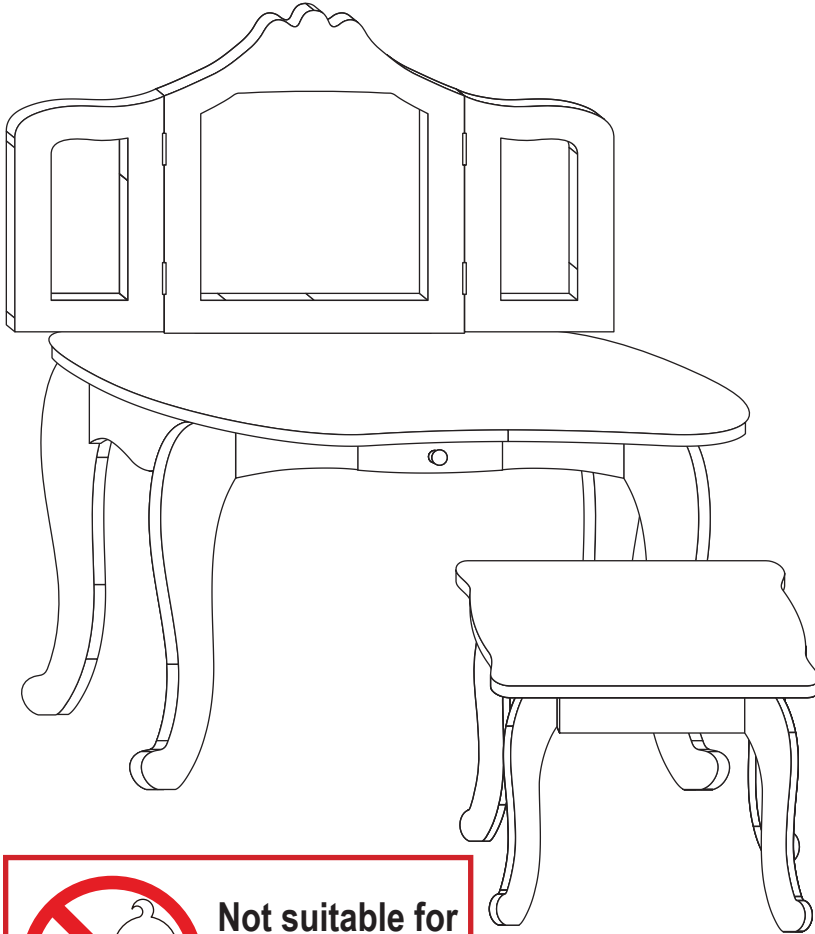







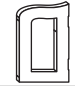
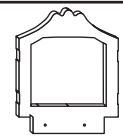
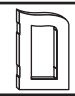

# KIDS' VANITY TABLE AND STOOL

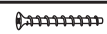


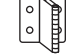

Review all assembly and care information before using this product. Save this manual for future reference.

**Assemble components on a soft, clean surface to avoid damaging the finish.**



Inspect packaging to ensure all parts are accounted for before disposing of packing materials.  
 Save the packing slip.

| No. | PARTS   |               | QTY. |
|-----|---|---------------|------|
| 1   |    | Seat          | 1    |
| 2   |    | Seat Leg      | 4    |
| 3   |    | Vanity Top    | 1    |
| 4   |    | Vanity Leg    | 4    |
| 5   |    | Left Mirror   | 1    |
| 6   |   | Middle Mirror | 1    |
| 7   |  | Right Mirror  | 1    |
| 8   |  | Knob          | 1    |

| No. | HARDWARE  |               | QTY. |
|-----|---|---------------|------|
| A   |  | M5x40mm Bolt  | 16   |
| B   |  | M6x25mm Bolt  | 2    |
| C   |  | M3x10mm Screw | 16   |
| D   |  | Hinge         | 4    |
| E   |  | M4x20mm Bolt  | 1    |

#### TOOLS REQUIRED (not included)



Phillips Screwdriver



**Not suitable for children under 3 years of age**

## ⚠ WARNING ⚠

**CHOKING HAZARD** — This item contains small parts that can be swallowed. Keep children and pets away during assembly.

**IMPORTANT:** Read all use, care and safety information before allowing children to use this playset. Adult assembly required.

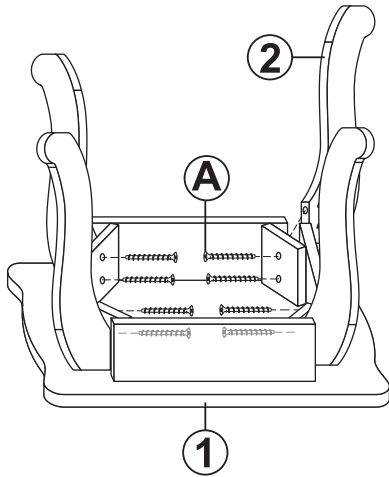
## ⚠ WARNING:

Manufacturer and seller expressly disclaim any and all liability from personal injury, property damage or loss, whether direct or indirect, or incidental, resulting from the incorrect attachment, improper use, inadequate maintenance, or neglect of this product.

# ASSEMBLY

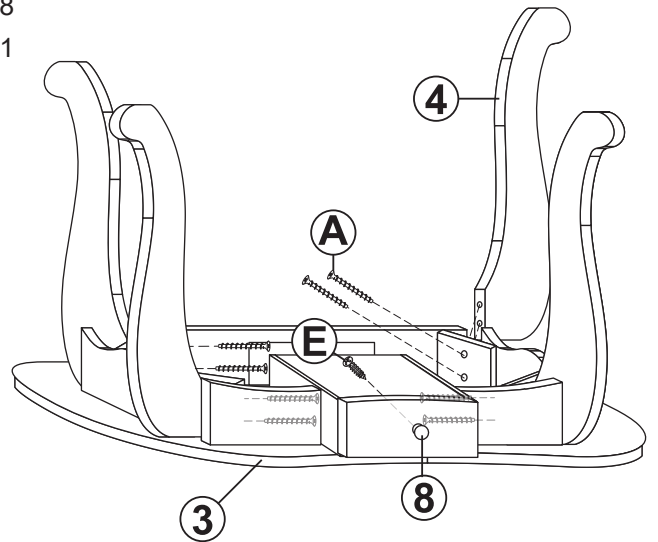
## STEP 1

- 1: 1
- 2: 4
- A: 8



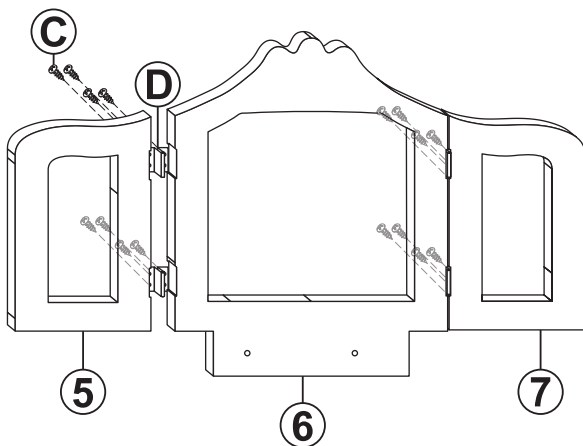
## STEP 2

- 3: 1
- 4: 4
- 8: 1
- A: 8
- E: 1



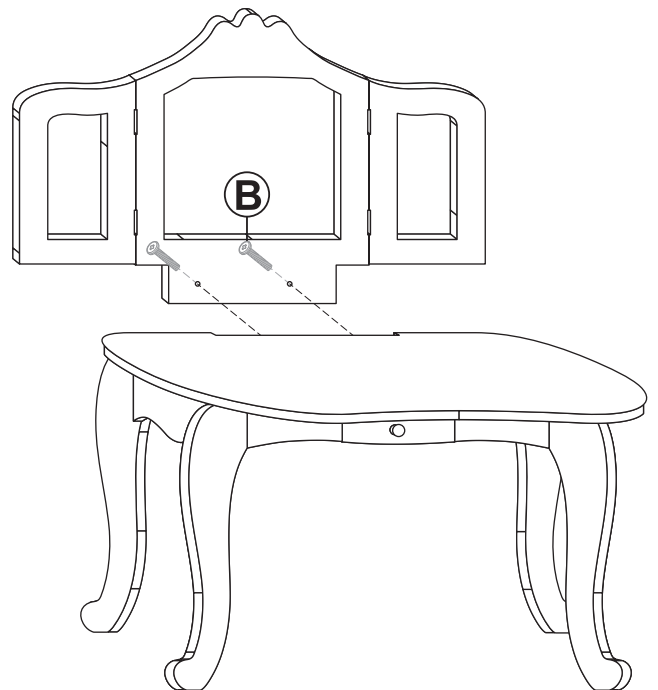
## STEP 3

- 5: 1
- 6: 1
- 7: 1
- C: 16
- D: 4



## STEP 4

- B: 2



# Care & Maintenance



## **! WARNING: PREVENT TIP OVERS!**

- Do not allow children to pull, climb, sit, or stand on the vanity.
- Never place computers, televisions, or other heavy objects on the unit.
- The playset must be placed on a hard, flat, and level surface.
- If placing next to a wall, we recommend applying a stabilizing strap (not included).
- The playset must be assembled as instructed.

**SAFE USE:** Carefully review and follow all safety information.

**CARE:** Regular cleaning is recommended. Frequently inspect the playset and accessories for damage; immediately dispose of damaged and broken components.

**CLEANING:** Wipe soiled surfaces with a damp cloth. Do not use harsh chemicals or abrasive materials to clean any part or accessory of this unit.

## **! SAFETY STATEMENTS & WARNINGS !**

- For indoor use only.
- Only use this unit on a hard, flat, and level surface.
- Not suitable for children under 3 years of age.
- Supervise children; do not allow children to pull, climb, sit, or stand on the vanity.
- Frequently inspect assembly points to ensure components are properly connected. Do not allow children to play with damaged or broken equipment and/or accessories.
- Do not place liquids or hot items directly on the unit.
- Never use chemicals or abrasive materials to clean the unit.
- Avoid long-term exposure to sunlight.
- Avoid placing the unit near heating or cooling vents, long-term exposure to forced air can damage the unit.
- Keep the unit a safe distance away from all heat sources such as, but not limited to, heat vents, gas or electric heaters, fireplaces, etc.

**Any modification to the product or failure to follow recommended care will void the product warranty.**

*If you experience issues with assembly or the product was damaged during shipping, please contact our customer service team directly through one of the methods mentioned at the top of page 1.*

*Please have the item number and order information ready to expedite response time.*

## **! WARNING:**

**Manufacturer and seller expressly disclaim any and all liability from personal injury, property damage or loss, whether direct or indirect, or incidental, resulting from the incorrect attachment, improper use, inadequate maintenance, or neglect of this product.**