

## Specifications

### Description

Adcraft's chamber vacuum packaging machine is ideal for all of your preserving, marinading, pickling and seasoning needs. This powerful tabletop chamber vacuum packaging machine works well with liquids and liquid-rich foods. It sucks the air out of the entire chamber when sealing, not just the bag itself. This means the air pressure is equalized both inside and outside of the bag, keeping liquids in and ensuring a superior seal every time. Constructed with a stainless steel body, this unit has a digital front control display that makes it easy to use. The smoky-clear lid lets you see and monitor the vacuum process. A powerful 1/4 hp oil pump provides up to 29.5" Hg of suction. The 11" wide sealing bar provides maximum results and long lasting usage. It also comes with filler plates to use when sealing smaller batches. 110V, 370W, 3 amps and a detachable 9' long power cord with a NEMA 5-15 plug. This unit is CE Certified and backed by Adcraft's 1 year replace or repair warranty.

### Construction

- Body is constructed of polished stainless steel
- Interior chamber has a stainless steel liner
- Smoky-clear lid with lock that opens up 45°
- Easy to use front control panel with digital display
- Separate on/off power switch on the side of the unit
- Rubber feet for stability

### Sealing Chamber

- Can apply up to 29.5" Hg of suction per seal
- 11" wide sealing bar
- Interior chamber measures 15.25"D x 11.5"W x 2.75"H
- Comes with two filler plates to use with smaller batches

### Electrical

- 1/4 HP oil pump
- 110V, 370W, 3 Amps
- Detachable 9' power cord with NEMA 5-15 plug

## Vacuum Packaging Machine

### Models:

- VS-300



### Comes Standard With:

- 3 oz bottle of oil for pump
- 2 filler plates

### Accessories Sold Separately:

- Assorted size sealing bags
- Multi-ring bag stand

### Certifications/Approvals

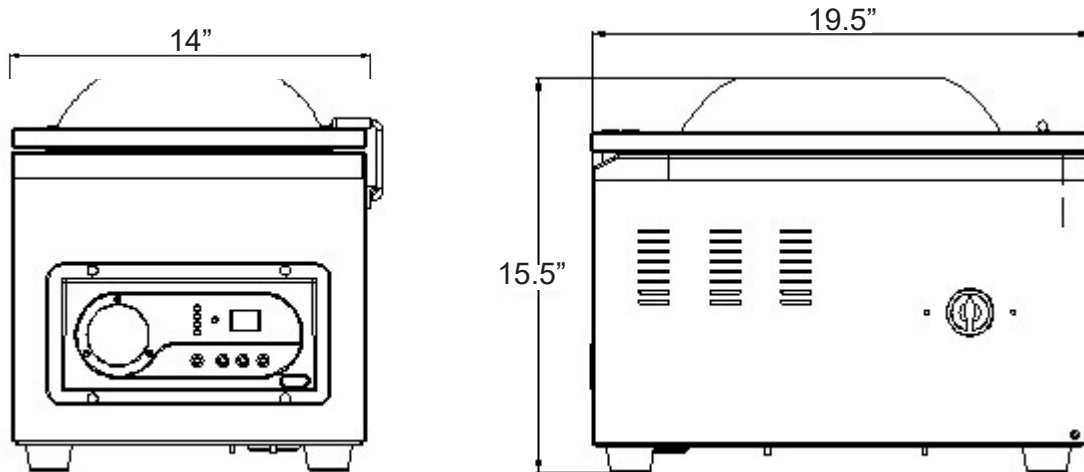


**Warranty:** This product is protected by Admiral Craft Equipment Corporation's 1 year limited warranty. Should your product fail under normal use it will be repaired or replaced up to one year from date of purchase.




## Vacuum Packaging Machine - VS-300

### Plan View



### Specifications

Item Number	Description	Suction	HP	Wattage	Volts/Amps	NEMA Plug
VS-300	Vacuum Packaging Machine	29.5" Hg	1/4	370W	110V/3 Amps	5-15P 

Chamber Dimensions (wx dx h) in inches	Overall Dimensions (wx dx h) in inches	Sealing Bar	Cycle Time
11.5"W x 15.25"D x 2.75"H	14"W x 19.5"D x 15.5"H	11" wide	25-40 seconds

### Shipping Info

Box Dimensions	Gross Weight	Net Weight
16.5"W x 23.5"D x 19"H	99 lbs	85 lbs

For more information about this or any of our other products go to [www.admiralcraft.com](http://www.admiralcraft.com). This item is listed on AutoQuotes. For full explanation of warranty coverage on this product please refer to warranty page located in the owner's manual and warranty section at [www.admiralcraft.com](http://www.admiralcraft.com). Specifications subject to change without notice. Please confirm at time of order.