

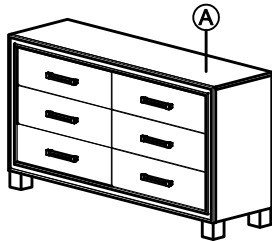
# WILLIAM MIRROR ASSEMBLY INSTRUCTIONS



## PARTS PACKING CONFIGURATIONS

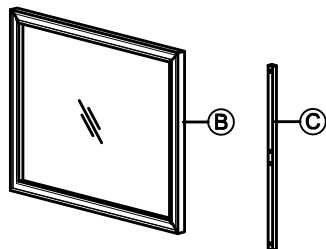
### BOX #1

A. DRESSER(SOLD SEPARATELY): 1PC



### BOX #2

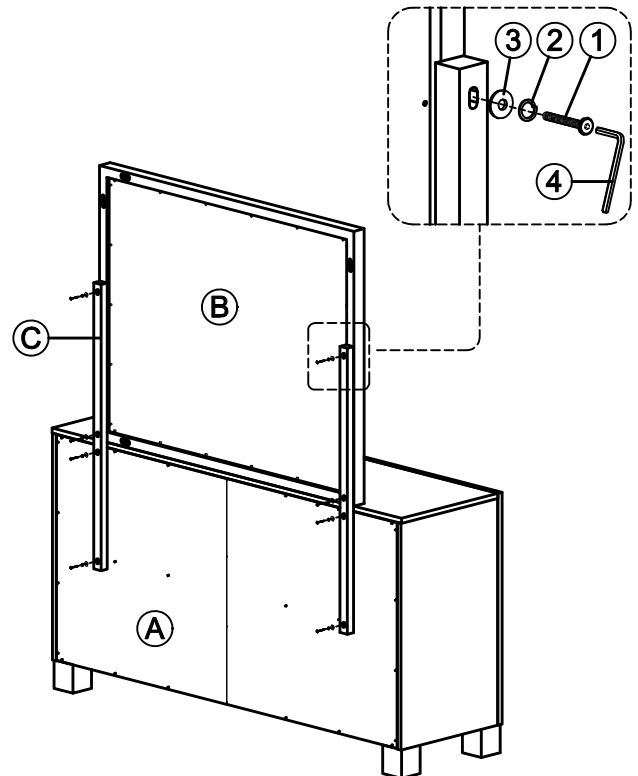
B. MIRROR: 1PC  
C. SUPPORT BAR: 2PCS  
\*MIRROR HARDWARE PACK



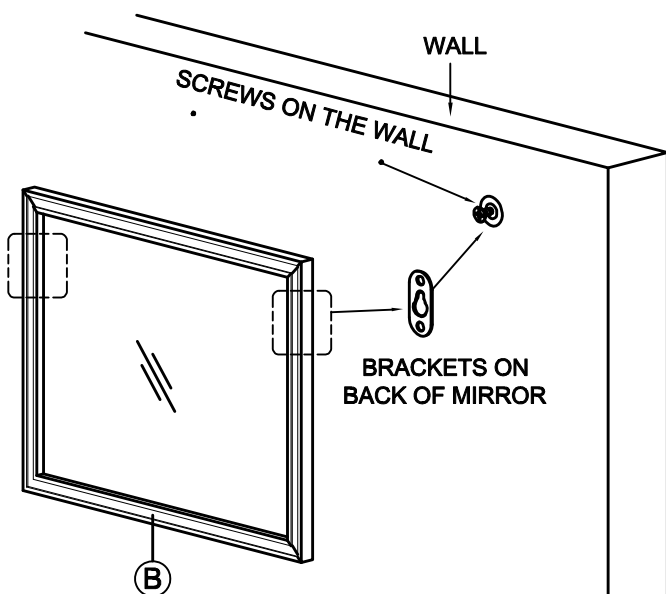
### HARDWARE PACKED IN BOX #2

1	ALLEN BOLT (6x45mm)		8PCS
2	SPRING WASHER (M8)		8PCS
3	FLAT WASHER (M8)		8PCS
4	ALLEN KEY		1PC

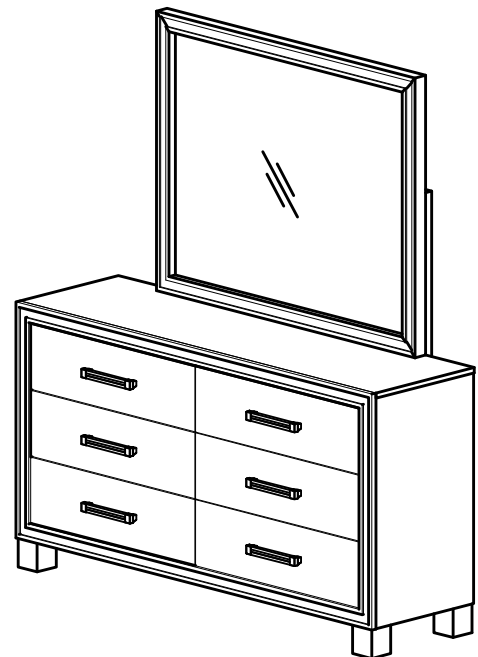
### OPTION 1 : ATTACHING MIRROR TO DRESSER



### OPTION 2 : ATTACHING MIRROR TO WALL



MOUNTING HARDWARE IS NOT INCLUDED.



TOOL REQUIRED :  
PHILLIPS-HEAD SCREW DRIVER (NOT PROVIDED)

