

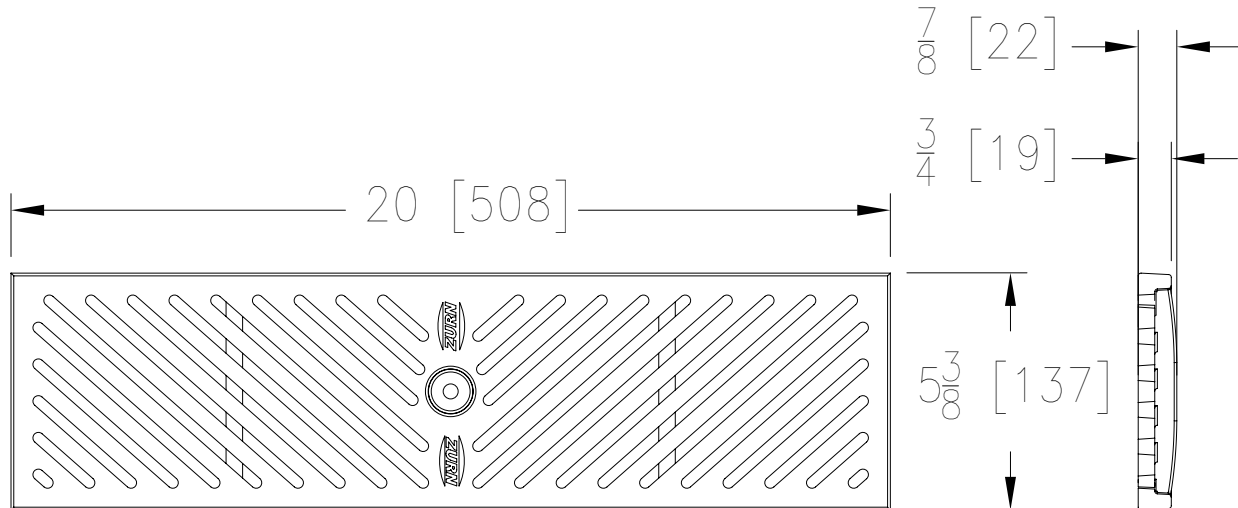


P6-BDD
6 152] WIDE DECORATIVE GRATE

Design and Dimensional Data (inches and [mm]) are Subject to Manufacturing Tolerances and Change Without Notice

Please Check ✓	Item No.	Part Number	Item I.D.
	4	67506	P6-BDD

[Back to Index](#)



BDD GRATE ENGINEERING SPECIFICATION: ZURN P6-BDD

20" [508mm] X 5-3/8" [137mm] Bronze diagonal decorative grate, weighing 6.9 lbs per linear foot [10.2kg/m]. The grate has an open area of 17.9 in² per linear foot [377cm²/m]. Grate conforms to DIN rating of A, ANSI rating of Light-Duty, ADA compliant and ASTM B584 Copper Alloy NO. C844.

BDD - Diagonal Decorative	
Material:	Bronze
DIN Rating:	Class A
Weight:	6.9 lbs/ft. [10.2kg/m]
Open Area:	17.9 in ² /ft. [377cm ² /m]
ANSI Rating:	Light-Duty
Application:	Heel-Proof, Pedestrian
Slot Width/Hole Size:	1/4" [6.4mm]
ADA:	Yes
H-20:	No
FAA:	No

⚠ **WARNING:** Cancer and Reproductive Harm - www.P65Warnings.ca.gov

⚠ **ADVERTENCIA:** Cáncer y daño reproductivo - www.P65Warnings.ca.gov

⚠ **AVERTISSEMENT:** Cancer et effets néfastes sur la reproduction - www.P65Warnings.ca.gov