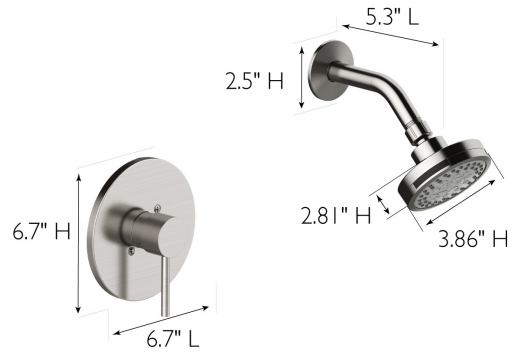


### Eastport II Shower Trim with Valve Satin Nickel



## SPECIFICATIONS

|                             |                   |                              |        |
|-----------------------------|-------------------|------------------------------|--------|
| MATERIAL:                   | Zinc/Brass        | WEIGHT:                      | 4 lbs. |
| HANDLE MATERIAL:            | Zinc              | PVD FINISH:                  | No     |
| CARTRIDGE MATERIAL:         | Ceramic           | ESCUTCHEON INCLUDED:         | Yes    |
| WATERWAY MATERIAL:          | Hybrid            | VALVE INCLUDED:              | Yes    |
| VALVE MATERIAL:             | Brass             | PRESSURE BALANCED VALVE:     | Yes    |
| FLOW RATE:                  | 1.8 GPM           | SHOWER HEAD FUNCTIONS (QTY): | 5      |
| LOW FLOW:                   | Yes               | SHOWER HEAD NOZZLE TYPE:     | Raised |
| HANDLES CONFIGURATION:      | Single Handle     | SHOWER HEAD SHAPE:           | Round  |
| HANDLE REACH:               | 2.3"              | SHOWER HEAD PUSH BUTTON:     | No     |
| QUICK ATTACH INCLUDED:      | No                |                              |        |
| DIMENSIONS FOR SHOWER ARM:  | 2.5" H x 5.3" L   |                              |        |
| DIMENSIONS FOR SHOWER HEAD: | 2.81" H x 3.86" L |                              |        |
| DIMENSIONS FOR TRIM:        | 6.7" H x 6.7" L   |                              |        |

|                         |                         |
|-------------------------|-------------------------|
| WARRANTY:               | 5-Year limited warranty |
| UPC CERTIFICATION NAME: | cUPC                    |
| WATERSENSE:             | No                      |
| ASME:                   | No                      |
| ADA COMPLIANT:          | Yes                     |



|             |
|-------------|
| TYPE:       |
| JOB:        |
| ORDER CODE: |
| APPROVALS:  |