



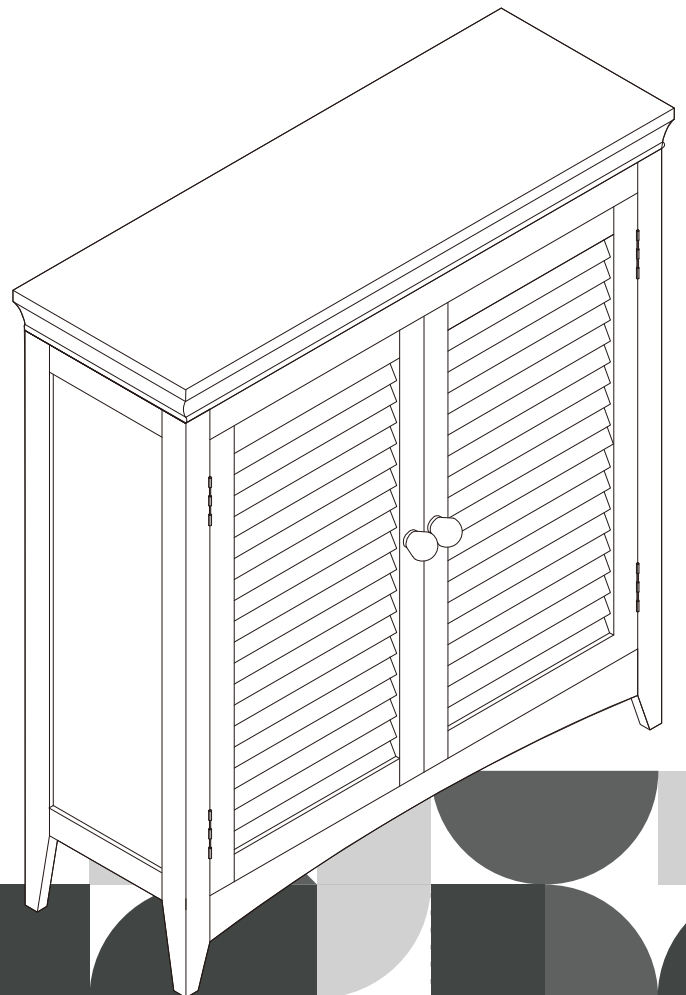
Extended Warranty  
Sign Up

E-1

# Welcome home!

**ELG-585/595/641**

**TEAMSON HOME  
Floor Cabinet -  
2 Shutter Doors**





**Questions? Comments? Need help?  
Call or email us any time!**

## Global Customer Service

**USA**

**+1(800)935-3959**

Mon - Fri 10:00am ~ 2:00pm EST

✉ [support@teamson.com](mailto:support@teamson.com)

**EU/UK**

**+44(0)1952-916-050**

Mon - Thu 9:00am ~ 5:00pm GMT

Friday 9:00am ~ 4:00pm GMT

✉ [support@teamson.co.uk](mailto:support@teamson.co.uk)

**ASIA**

深圳办公室:

**+86(0755)8885-3558.分机号331**

Mon - Sat 9:00am ~ 5:00pm GMT+8

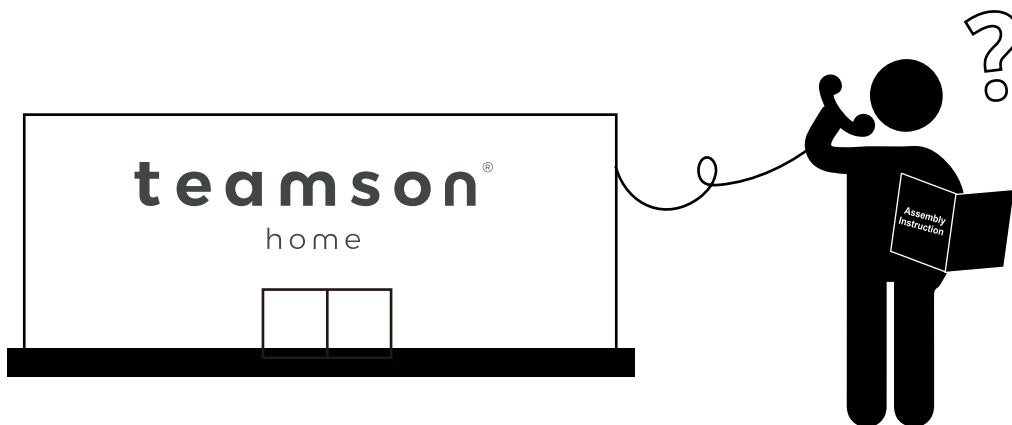
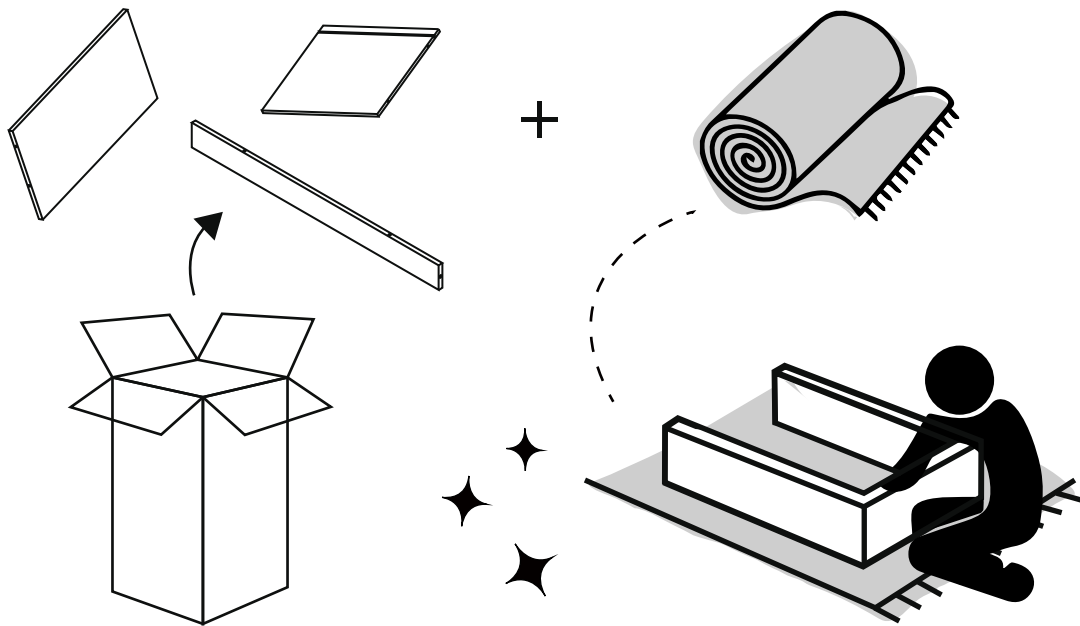
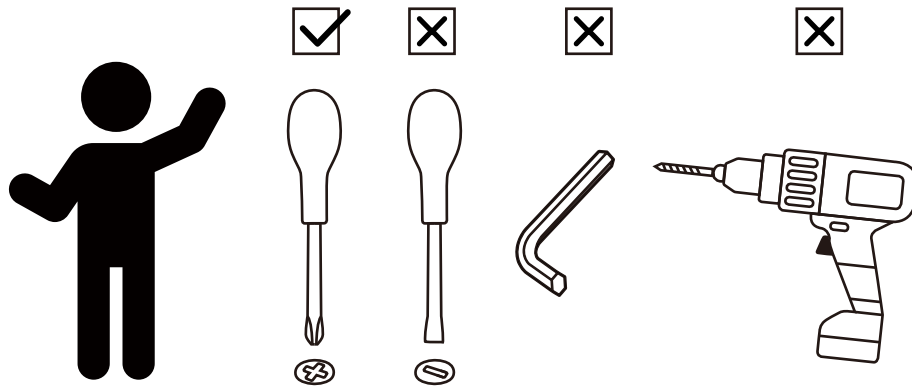
✉ [sales\\_ec@teamson.com](mailto:sales_ec@teamson.com)

台北办公室:

**+886(2)2556-6268**

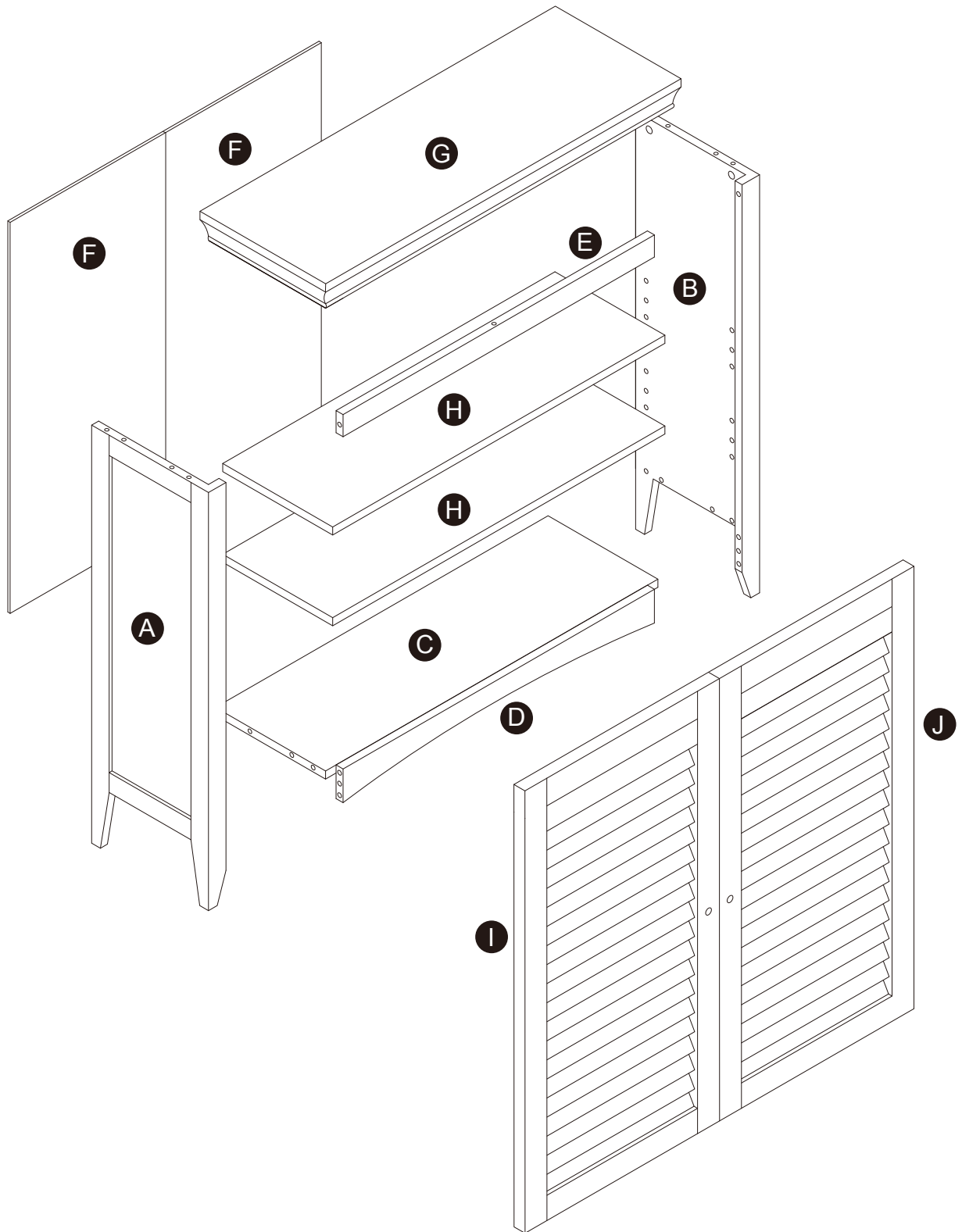
Mon - Fri 9:00am ~ 5:00pm GMT+8

✉ [sales\\_ec@teamson.com](mailto:sales_ec@teamson.com)



\*\* Got questions? Please have your product code (on the first page of this instruction, e.g. TD-12345A) and the order number ready, give us a call or email us through our customer care support! We are always ready to assist you!

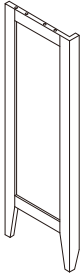
# Exploded Drawing



Scan for assembly instructions.

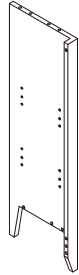
## Product Parts

A



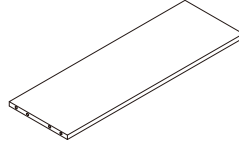
1 PC

B



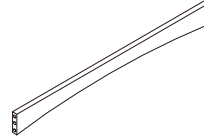
1 PC

C



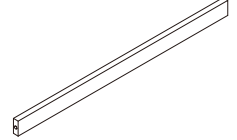
1 PC

D



2 PCS

E



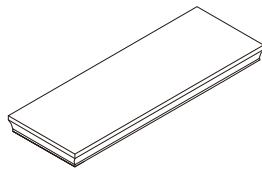
1 PC

F



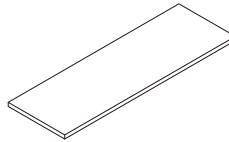
2 PCS

G



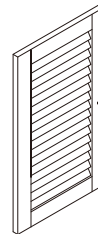
1 PC

H



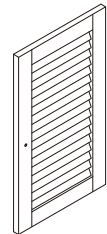
2 PCS

I



1 PC

J



1 PC

### **! Care Instructions**

Dust surface with a dry soft cloth. Do not use window cleaners or cleaning abrasives as they will scratch the surface and could damage the protective coating

### **! WARNING**

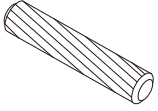
Small parts and sharp edges may be present prior to assembly.



Scan for assembly instructions.

# Hardware

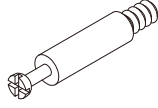
1



Ø8\*30mm

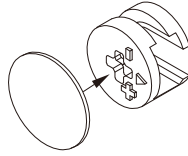
14 PCS

2



10 PCS

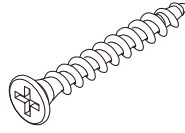
3



Ø15\*12

10 PCS

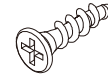
4



Ø4\*30mm

1 PC

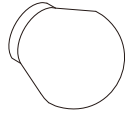
5



Ø3\*12mm

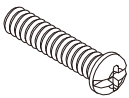
8 PCS

6



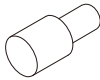
2 PCS

7



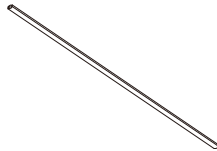
2 PCS

8



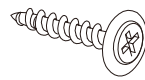
8 PCS

9



1 PC

10



Ø3\*12 D=7

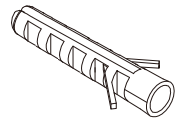
16 PCS

11



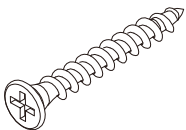
1 PC

12



1 PC

13



Ø4\*35mm

2 PCS

14


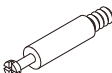



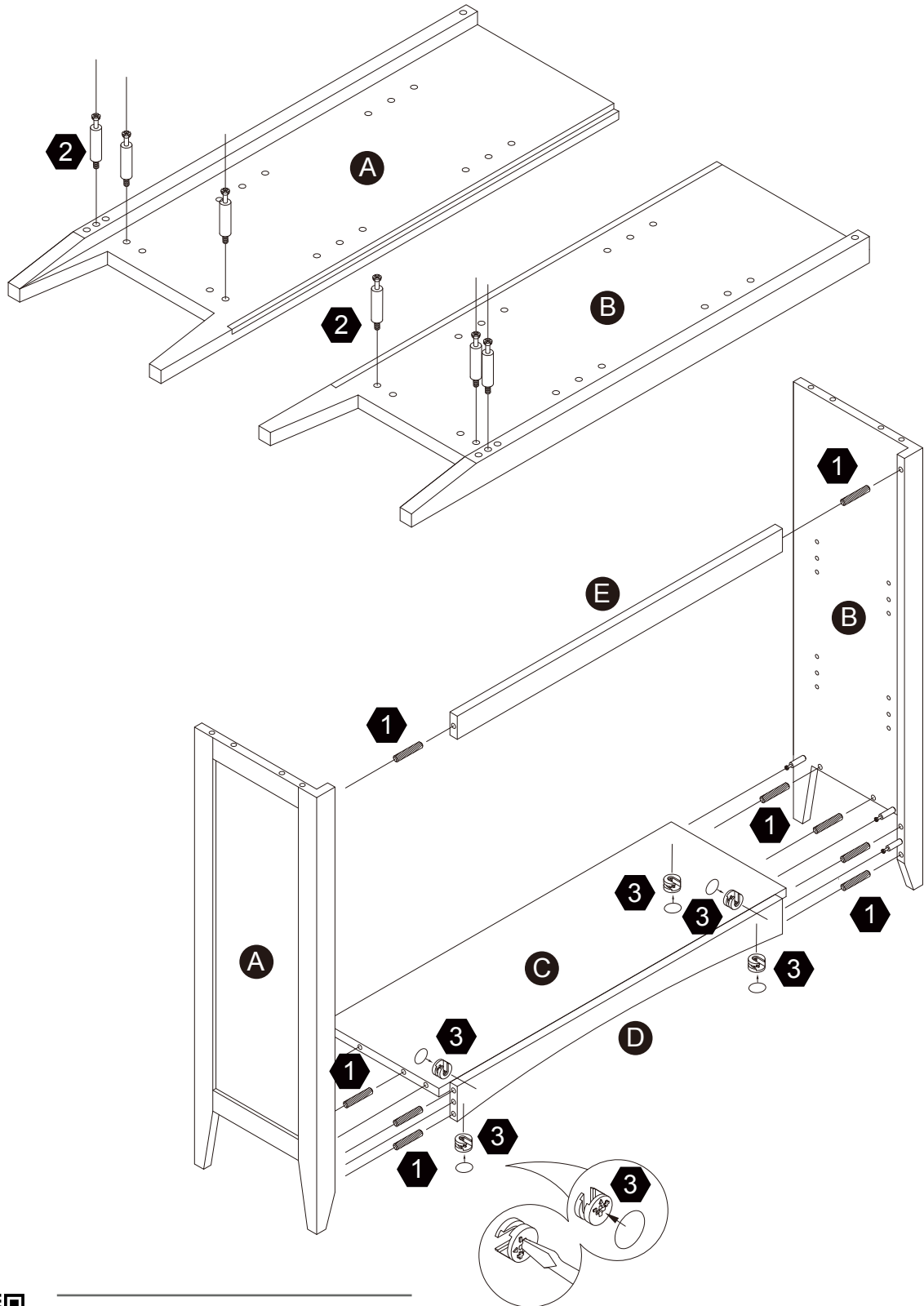
2 PCS



Scan for assembly instructions.

# Step 1

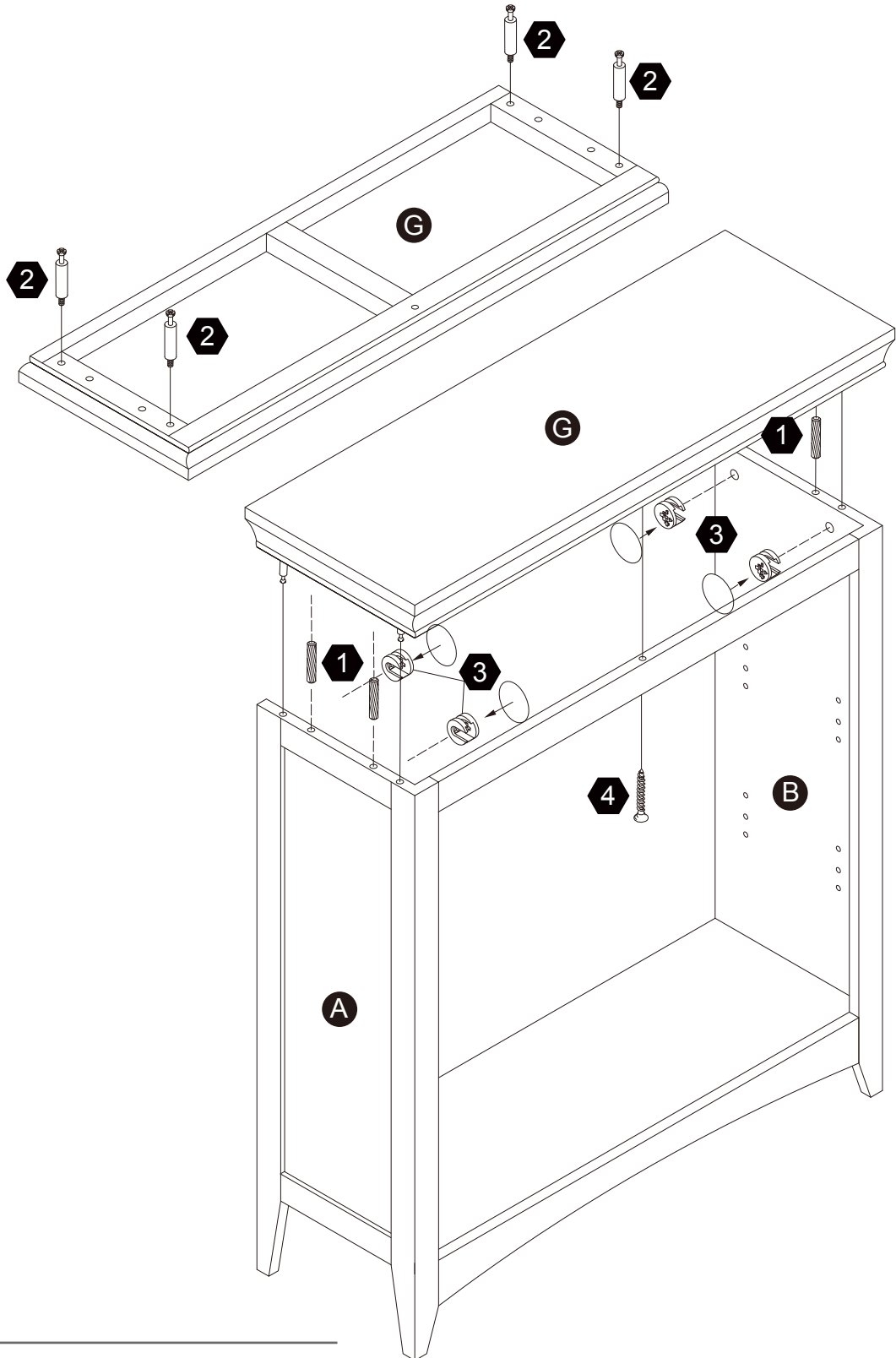
- 1**  10 pcs  $\varnothing 8 \times 30 \text{mm}$
- 2**  6 pcs
- 3**  6 pcs  $\varnothing 15 \times 12$



Scan for assembly instructions.

## Step 2

- 1**  4 pcs  $\text{Ø}8 \times 30\text{mm}$     **2**  4 pcs    **3**   $\text{Ø}15 \times 12$  4 pcs    **4**   $\text{Ø}4 \times 30\text{mm}$  1 pc



Scan for assembly instructions.



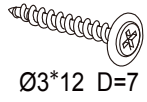
## Step 3

9



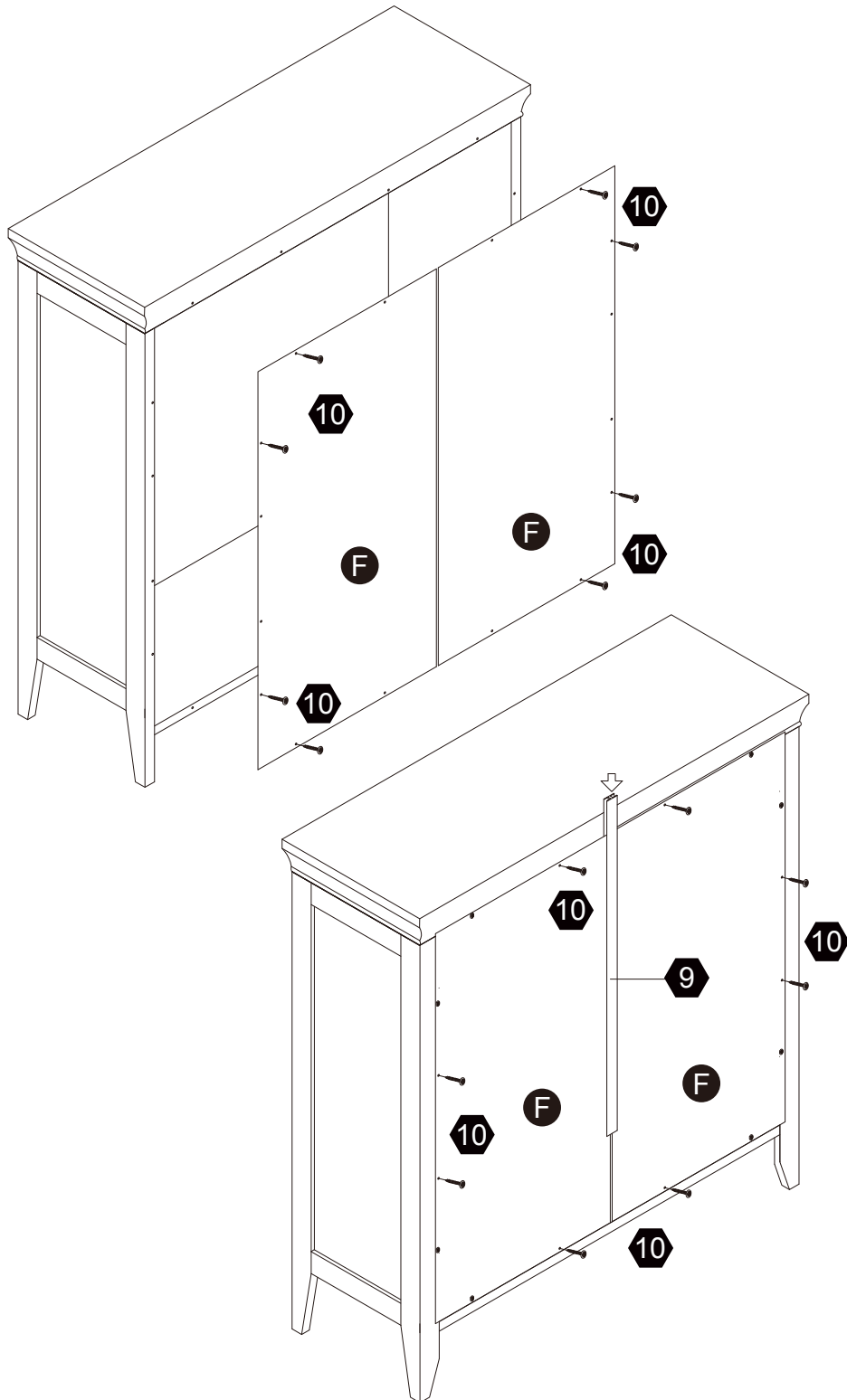
1 pc

10



16 pcs

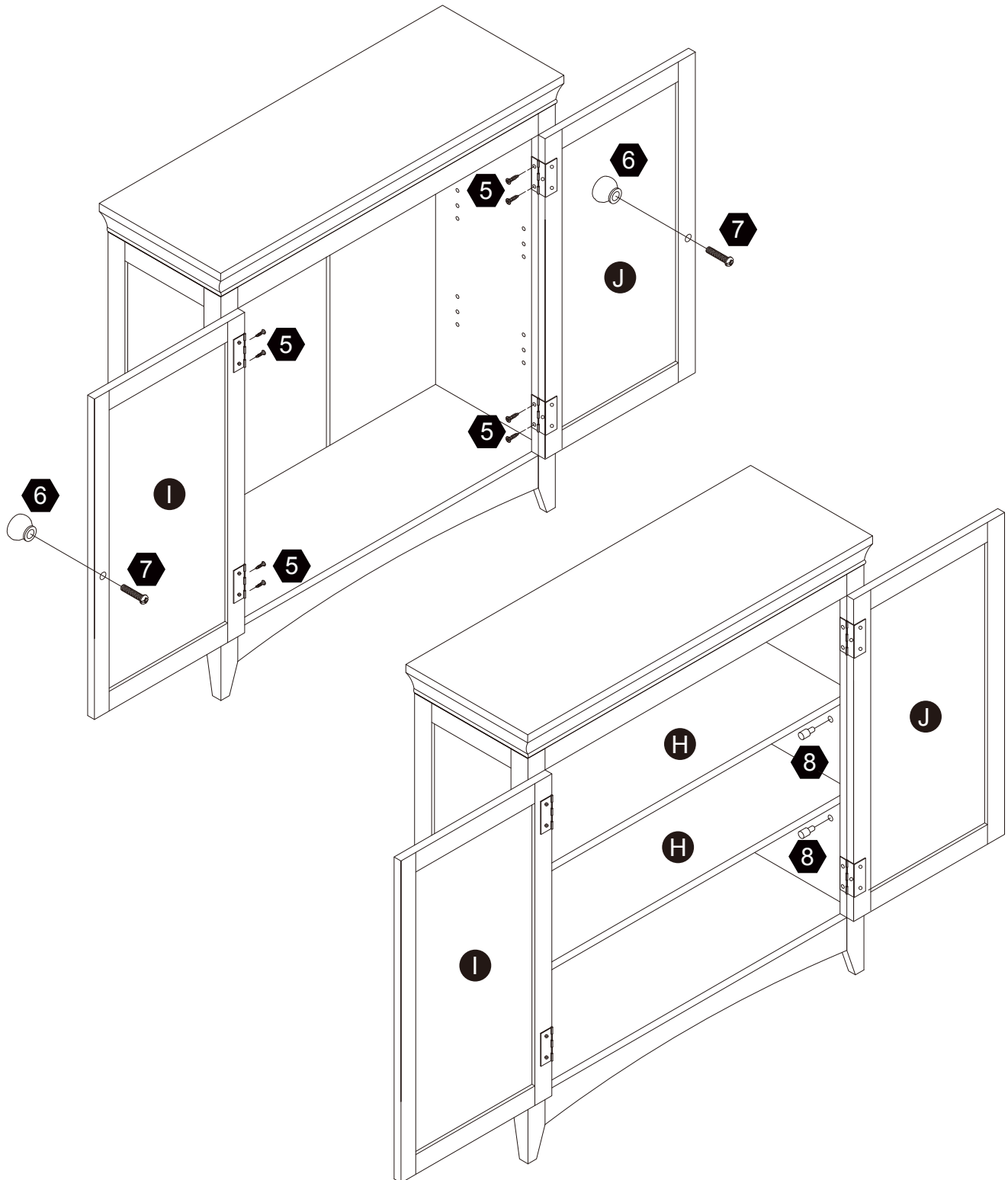
Ø3\*12 D=7



Scan for assembly instructions.

## Step 4

- 5**  8 pcs  $\varnothing 3 \times 12 \text{mm}$  **6**  2 pcs **7**  2 pcs **8**  8 pcs



Scan for assembly instructions.

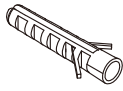
## Step 5

11



1 pc

12



1 pc

13

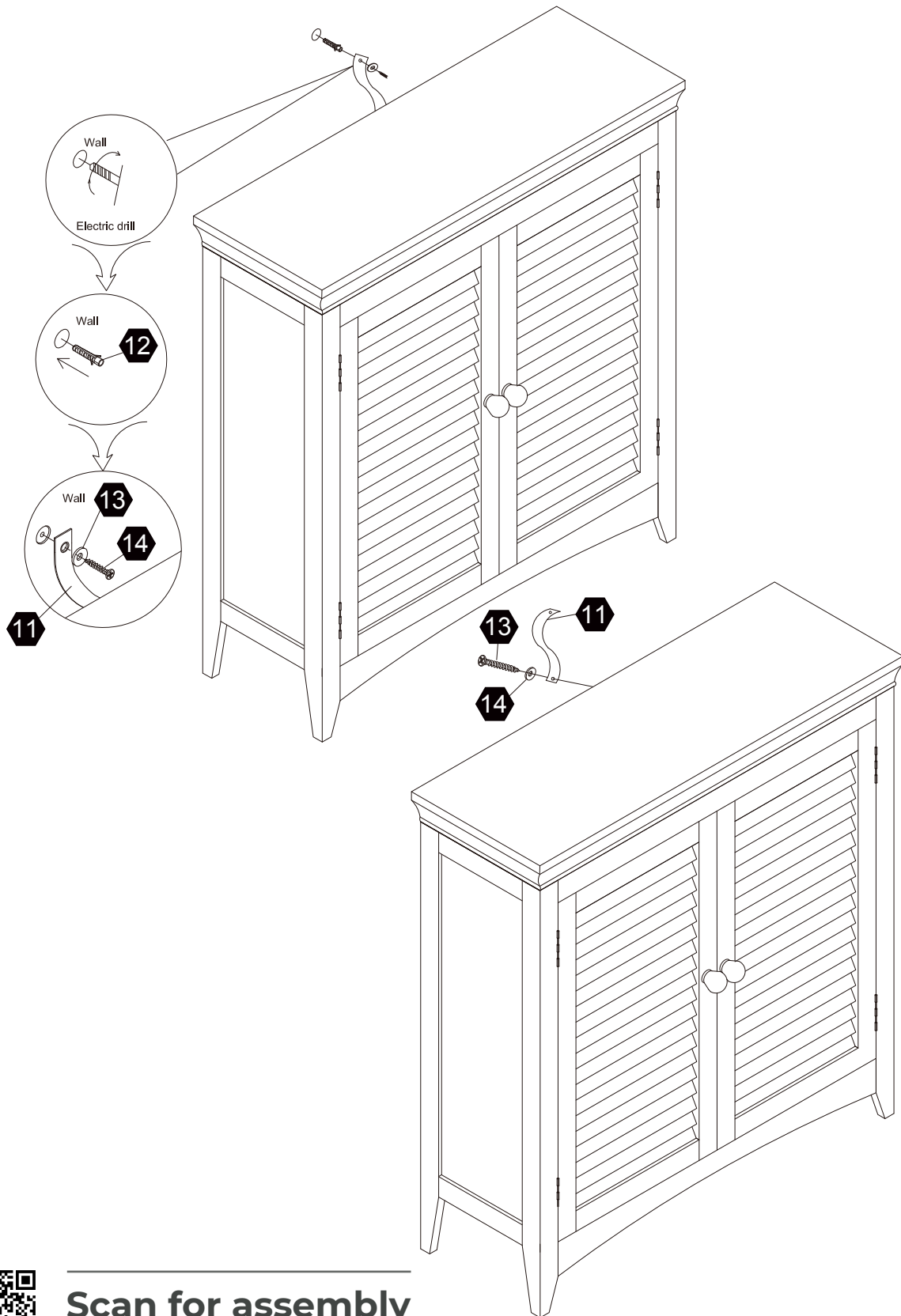


2 pcs

14



2 pcs



Scan for assembly instructions.