

SPEAKMAN® SE-925

Drench hose

FEATURES:

- Wall mounted.
- Aerated, yellow plastic spray outlet, dust cap.
- 3/8 in. NPT female brass, chrome-plated self-closing valve.
- Brass, chrome-plated squeeze handle activator.
- 12 ft. recoiling drench hose with swivel end connection.
- 1/2 in. NPT female inlet.
- 1.6 gpm @ 30 psi.

COMPLIANCE:

- ANSI/ISEA Z358.1 certified

OPTIONS: Add suffix to model

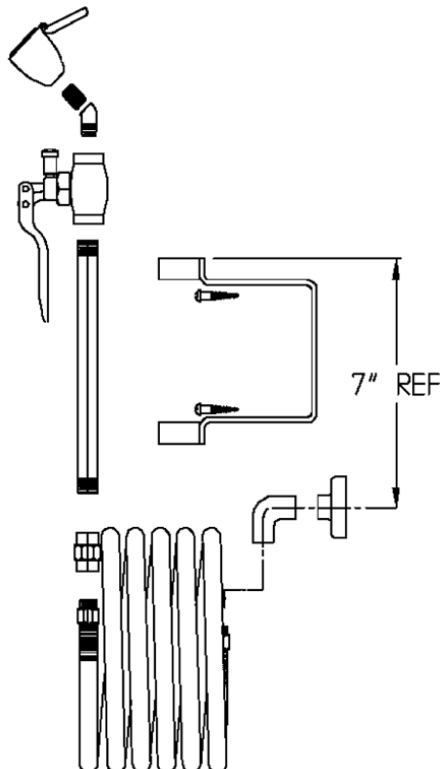
- Vacuum breaker -VB

WARRANTY:

- 3 year limited



DIMENSIONS: NOTE: 1. All dimensions are in inches (millimeters) unless otherwise specified and are subject to change without notice.



Architect/Engineer Approval Space:

SPEAKMAN
400 ANCHOR MILL ROAD
NEW CASTLE, DE 19720

P: 800-537-2107
F: 800-977-2747
W: WWW.SPEAKMAN.COM
R: JULY 2017

SPEAKMAN® SE-925-TEW

Combination Eyewash & Drench Hose

FEATURES:

- Wall mounted
- Twin aerated, yellow plastic spray outlet, dust cap and an automatic flow control
- 3/8 in. NPT female brass, chrome-plated self-closing valve.
- Brass, chrome-plated squeeze handle activator
- 12 ft. recoiling hose with swivel end connection.
- 1/2 in. NPT female inlet.
- 2.69 gpm @ 30 psi

COMPLIANCE:

- certified to ANSI/ISEA Z358.1

OPTIONS: Add suffix to model

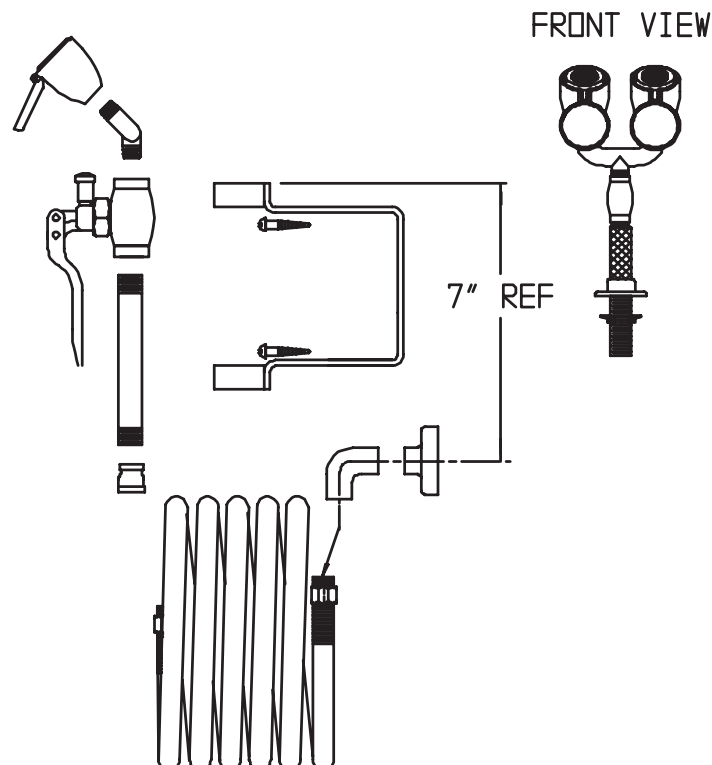
- Vacuum breaker -VB

WARRANTY:

- 3 year limited



DIMENSIONS: NOTE: 1. All dimensions are in inches (millimeters) unless otherwise specified and are subject to change without notice.



Architect/Engineer Approval Space:

SPEAKMAN
400 ANCHOR MILL ROAD
NEW CASTLE, DE 19720

P: 800-537-2107
F: 800-977-2747
W: WWW.SPEAKMAN.COM
R: JULY 2017