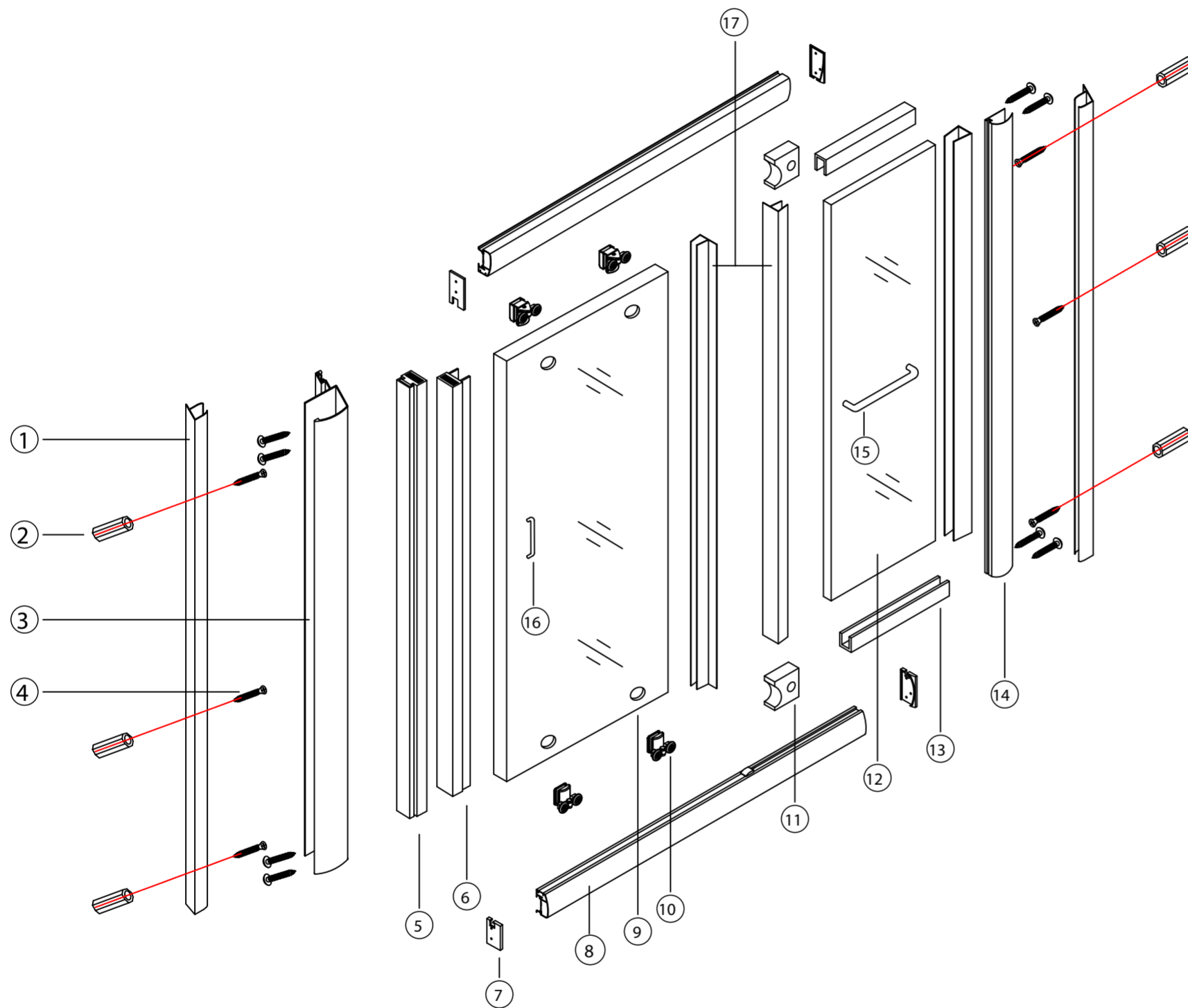




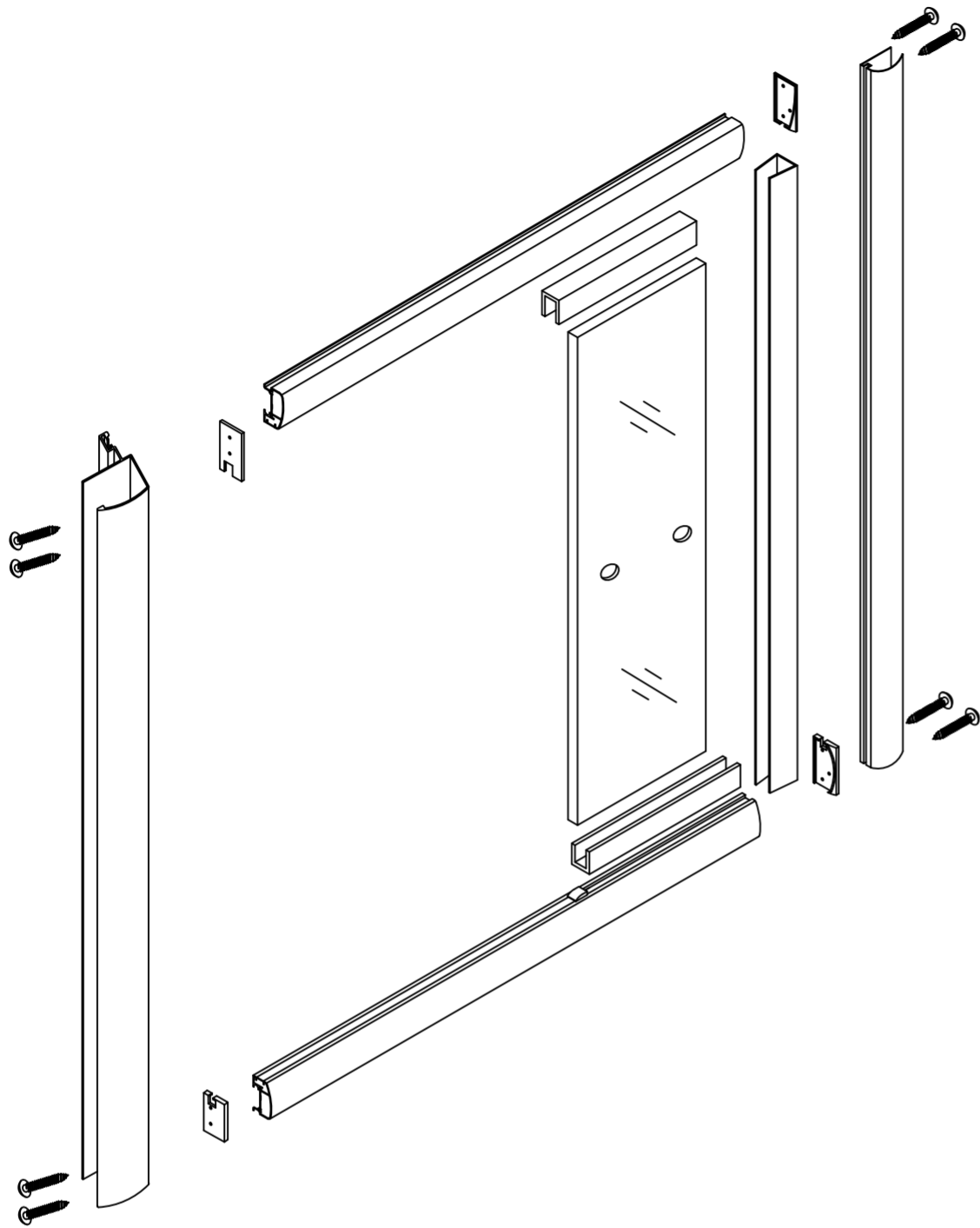
# SD-AZ02 SHOWER PANEL SERIES



Componentlist

NO.	Description	Drawing	Qty
①	Profile to wall		2
②	Wall anchor(6)		6
③	Magnetic profile		1
④	ST4*30		7
⑤	Magnetic plastic strip		1
⑥	Magnetic plastic strip		1
⑦	End caps		4
⑧	Guide rail		2
⑨	Sliding glass panel		1
⑩	Single Rollers		4
⑪	Stopper		2
⑫	Fixed glass panel		1
⑬	Plastic strip		3
⑭	Side profile		1
⑮	Towel rack		1
⑯	Handle		1
⑰	Rubber seal		

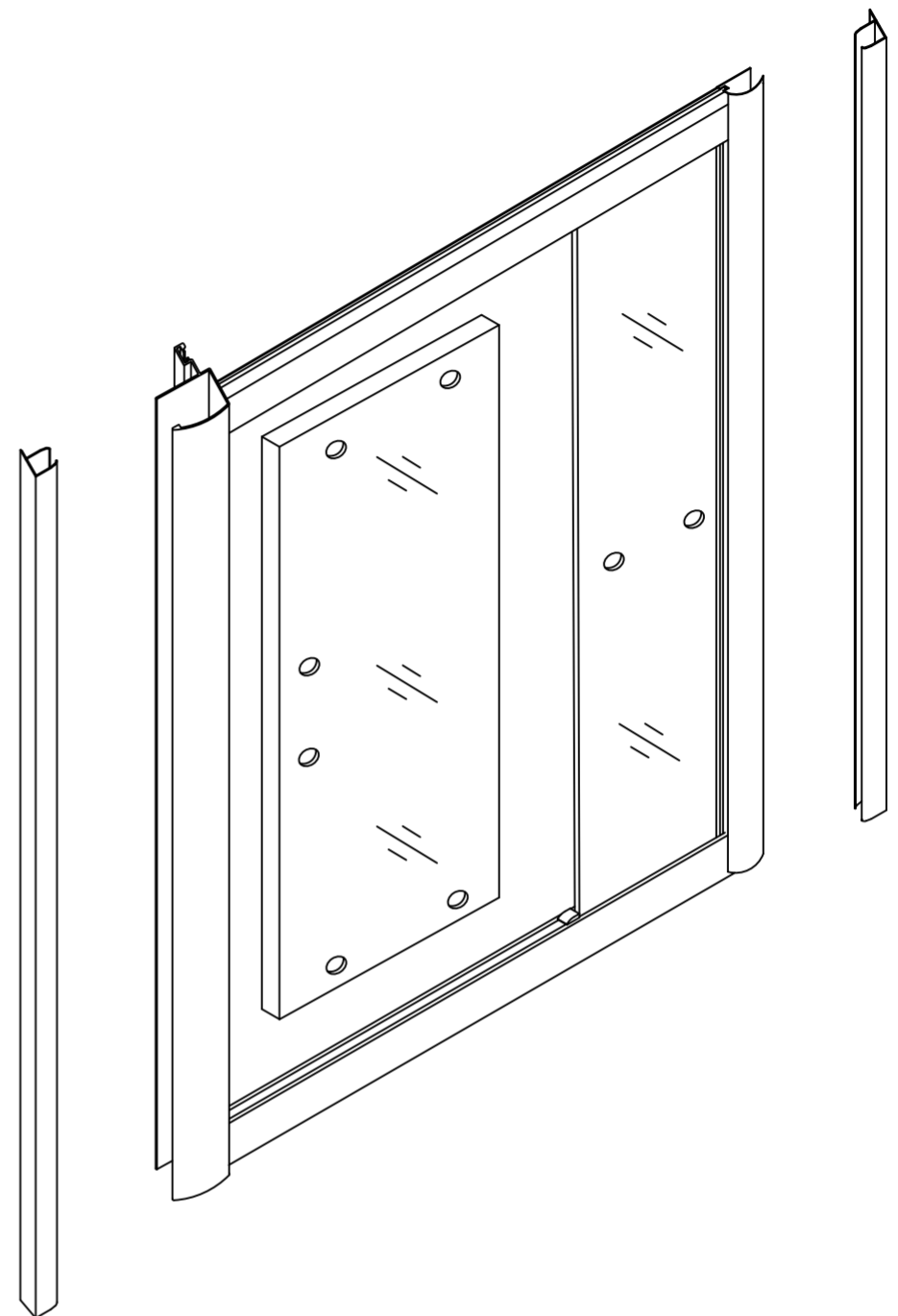
NOTE: Unpack your unit carefully and inspect it. Identify all parts using the detailed diagram and packing list in this manual as a reference. Before discarding the carton, check for small hardware bags that may have fallen to the bottom of the box. If any parts are damaged or missing, please contact ANZZI at 1-844-44-ANZZI or support@ANZZI.com.



### Guard Rail

1. Install the plastic strip (13) to the fixed glass panel (12) at the top and bottom. Then insert the fixed glass panel into the bottom guide rail slot (8).

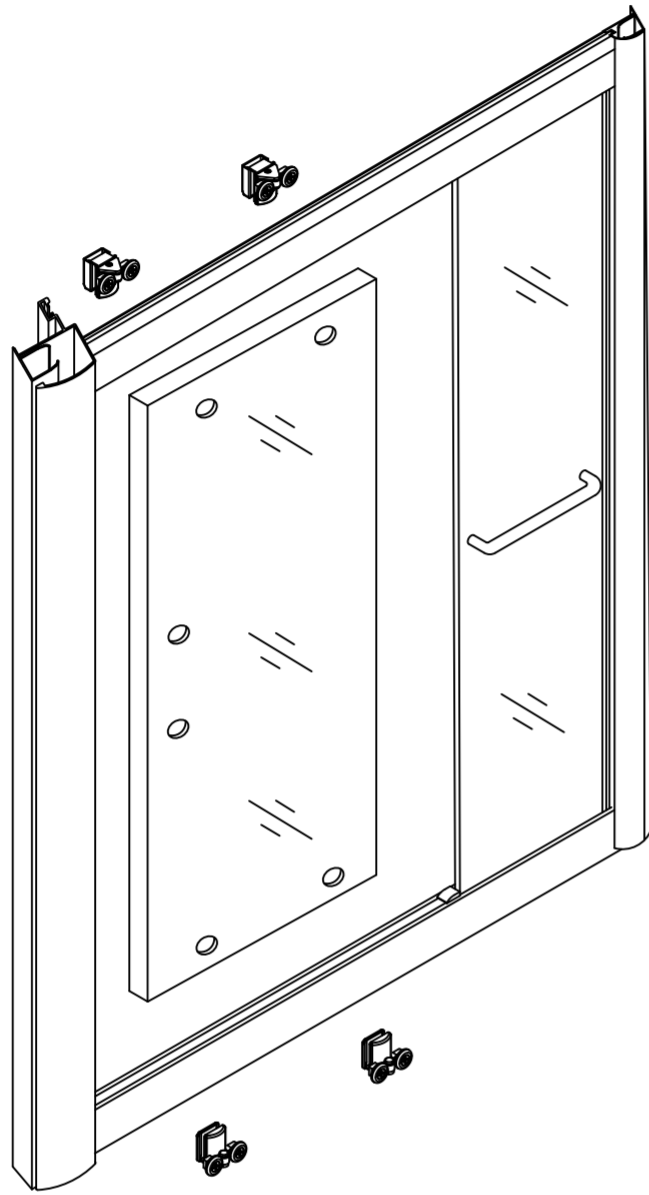
2. Install the end caps (7) to either side of the guide rail. Secure the fixed side profile at the bottom to the guide rail with the end caps in between. Do this on the opposite side with the magnetic profile (3) to the guide rail with the end cap in between. Once secured at the bottom secure the top guide rail as well. Use the provided ST4\*30 (4) screws.



### Side Profile

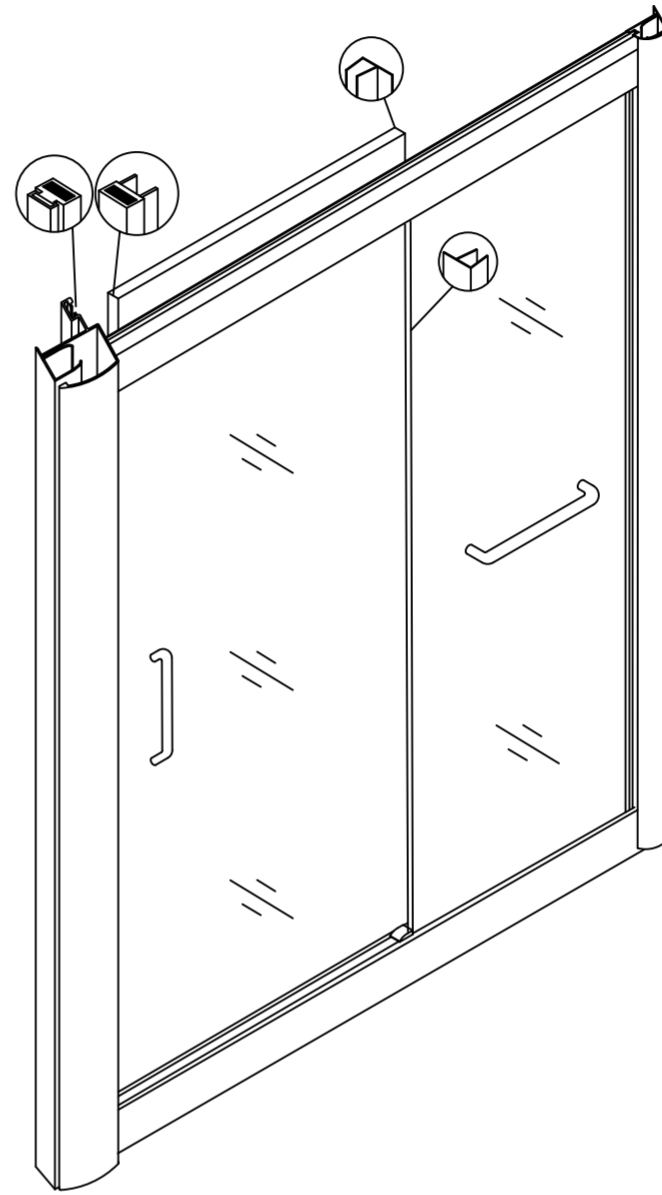
3. Coordinate the two side profiles (1) on both shower wall ends to mark where the holes will be drilled. Confirm that everything is level before proceeding with the drilling. Make sure they are as perfectly aligned to each other as possible. Drill the holes using 6mm bits and insert the provide anchors (2). Now secure the side profiles to the shower wall.

4. Insert the frame into the side profiles.



### Rollers

5. Install the rollers to the top of the slide glass panel (9) and hang from the top guide rail. Next install the bottom rollers.



### Finishing

6. Add the magnetic strips (5 & 6) to the handle side of the sliding glass door and the rubber water seals (17) on the glass panels where the doors meet in the middle.

7. Finally, attach the handle and towel bar.