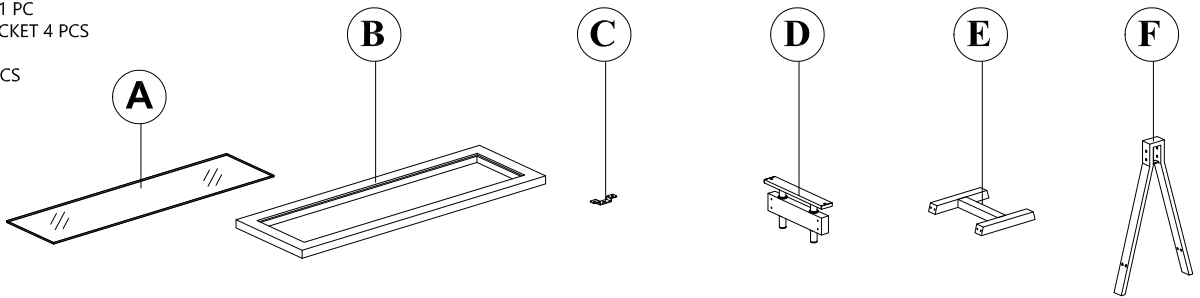


MEDICI CONSOLE TABLE ASSEMBLY INSTRUCTIONS



PARTS PACKING CONFIGURATIONS

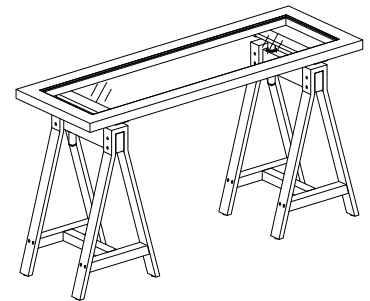
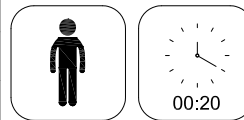
- A. GLASS TOP 1 PC
- B. TABLE TOP FRAME 1 PC
- C. ATTACHMENT BRACKET 4 PCS
- D. LEG FRAME 2 PCS
- E. LEG STRETCHER 2 PCS
- F. LEG 4 PCS



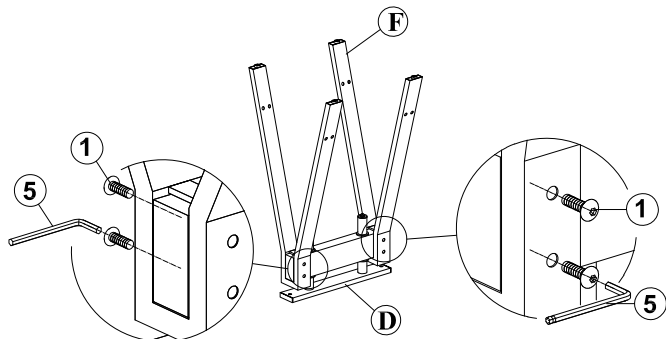
HARDWARE PACKED IN BOX

No	Description	Photo	Quantity
1	ALLEN BOLT (1/4x1-1/4)		36 PCS
2	ALLEN BOLT (1/4x3/4)		8 PCS
3	SPRING WASHER (1/4)		12 PCS
4	FLAT WASHER (1/4)		12 PCS
5	ALLEN KEY		1 PC
6	GLASS BUMPER		8 PCS

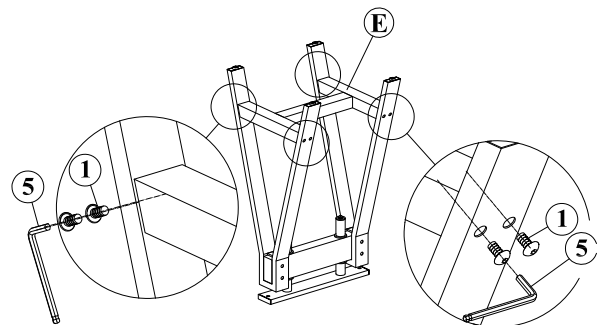
MEDICI CONSOLE TABLE FULLY ASSEMBLED



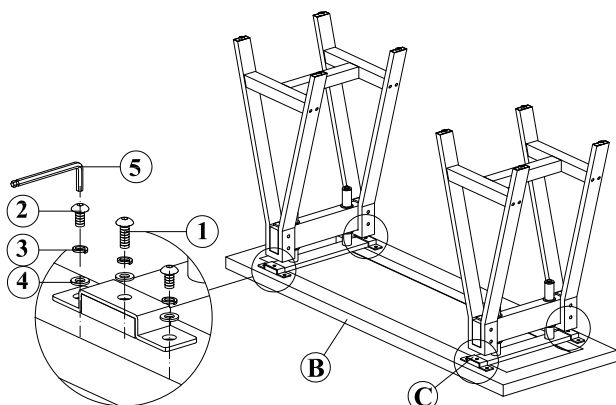
STEP 1:



STEP 2:



STEP 3:



STEP 4:

