



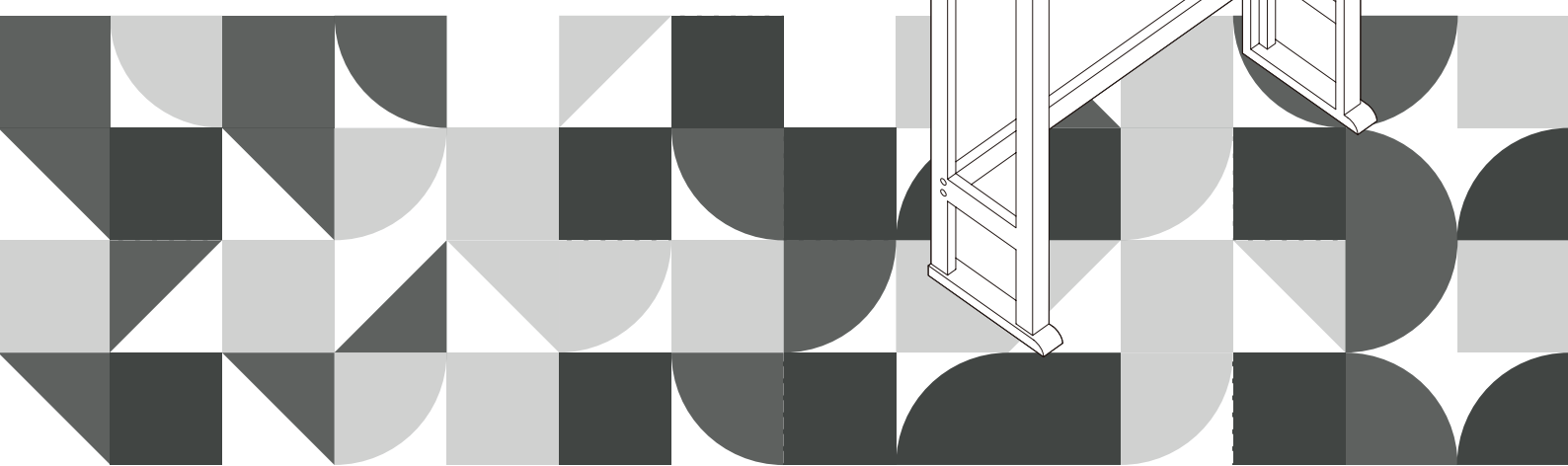
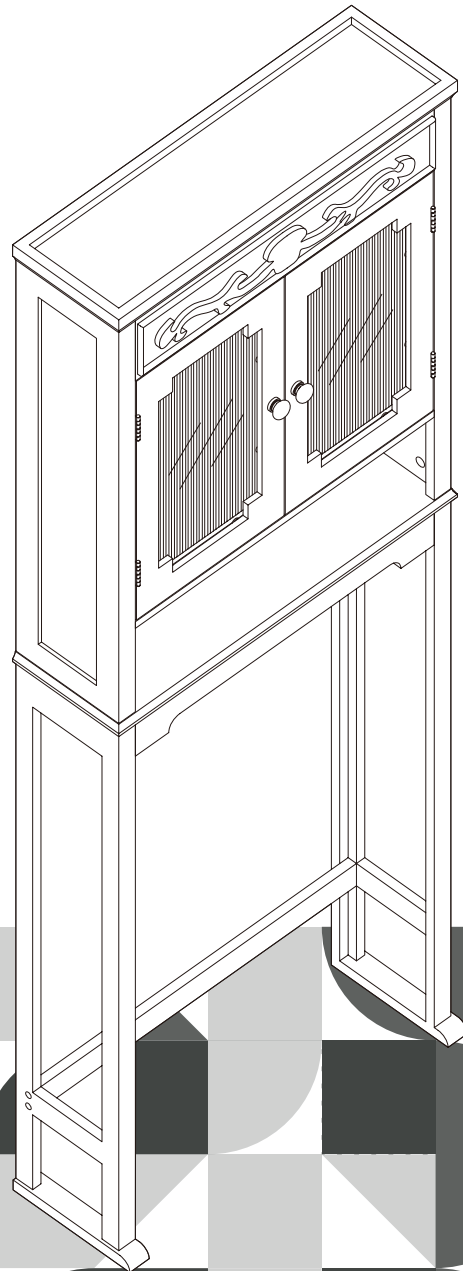
Extended Warranty  
Sign Up

E-1

# Welcome home!

**7008**

**TEAMSON HOME  
Lisbon Space Saver**





**Questions? Comments? Need help?  
Call or email us any time!**

## Global Customer Service

**USA**

**+1(800)935-3959**

Mon - Fri 10:00am ~ 2:00pm EST  
✉ support@teamson.com

**EU/UK**

**+44(0)1952-916-050**

Mon - Thu 9:00am ~ 5:00pm GMT  
Friday 9:00am ~ 4:00pm GMT  
✉ support@teamson.co.uk

**ASIA**

深圳办公室:

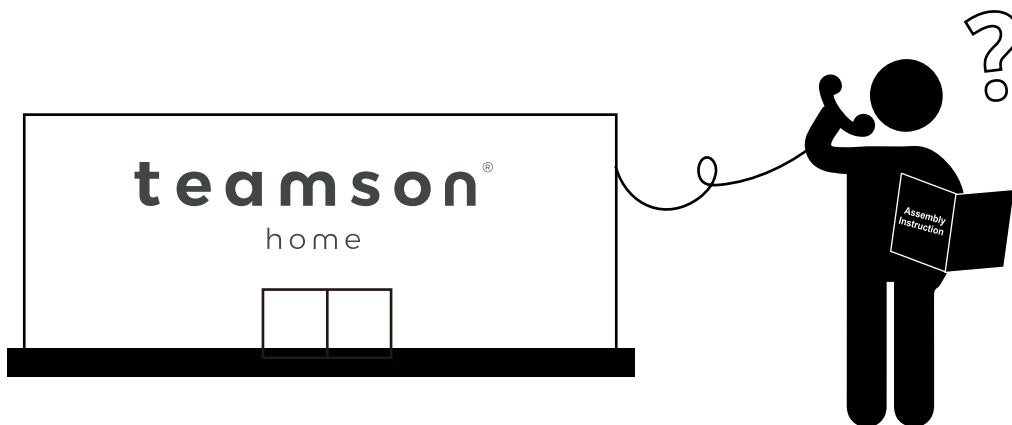
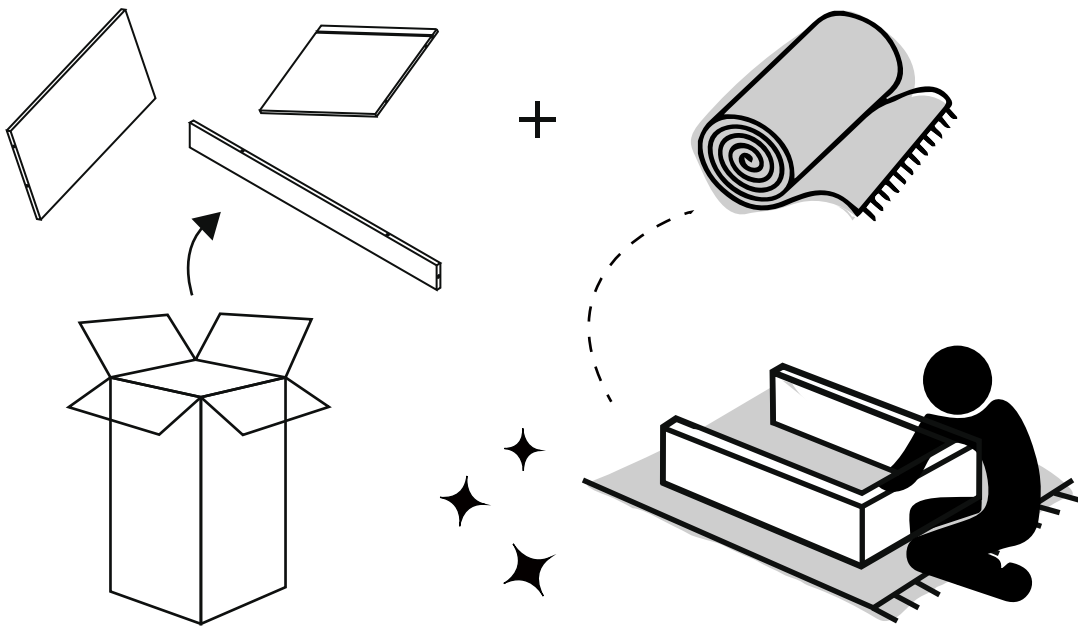
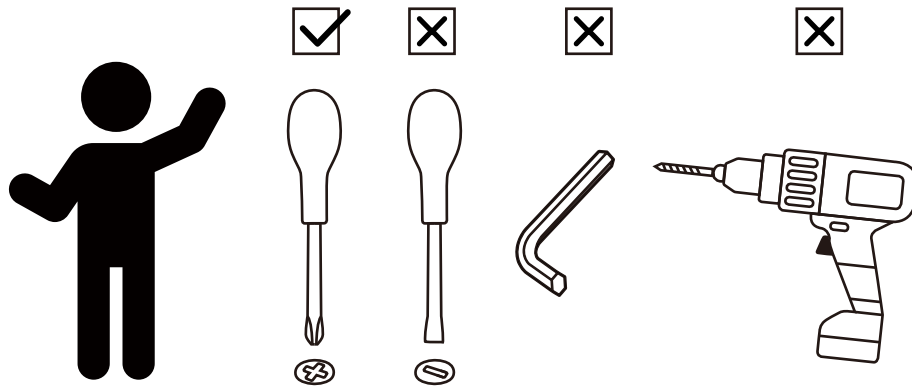
**+86(0755)8885-3558.分机号331**

Mon - Sat 9:00am ~ 5:00pm GMT+8  
✉ sales\_ec@teamson.com

台北办公室:

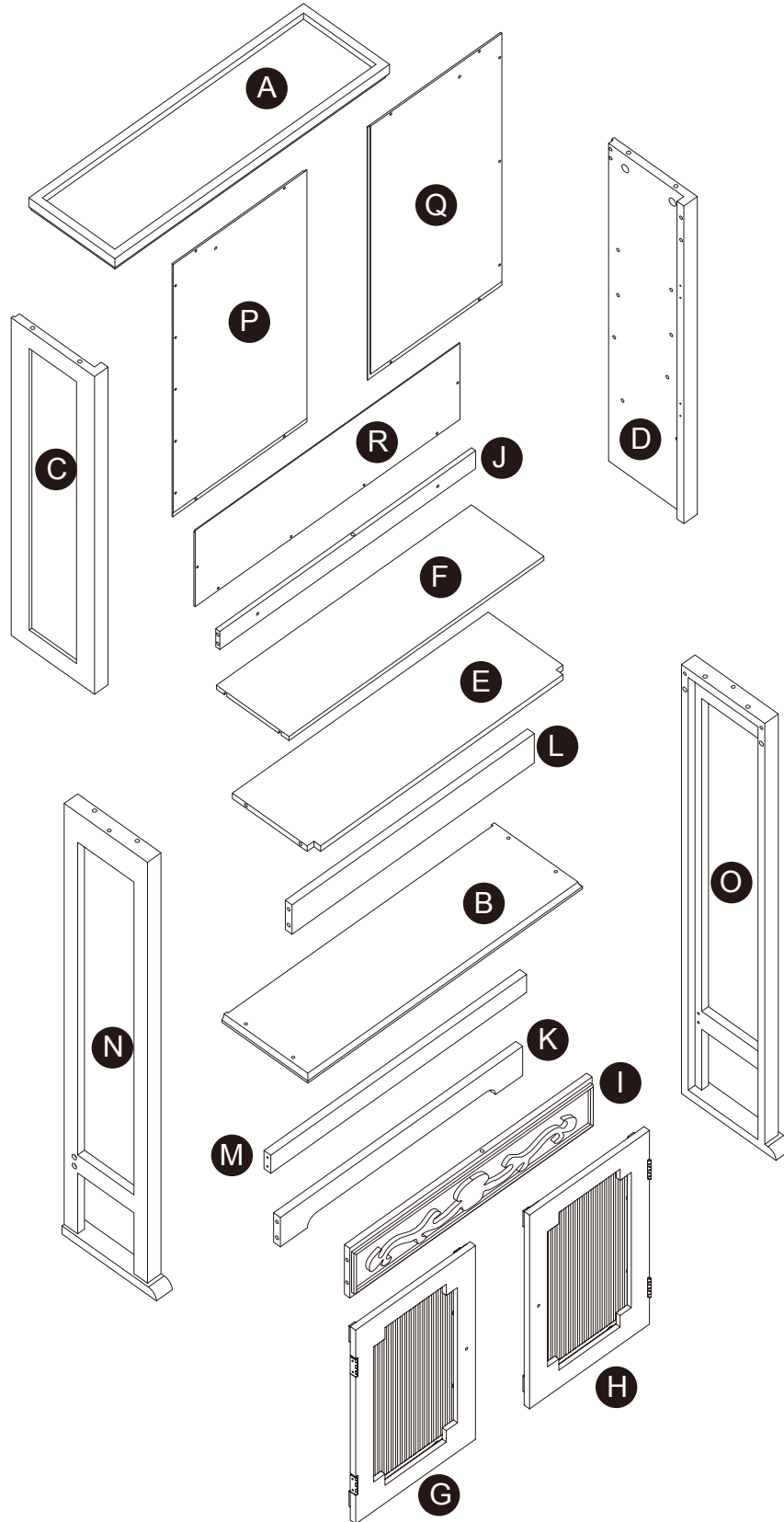
**+886(2)2556-6268**

Mon - Fri 9:00am ~ 5:00pm GMT+8  
✉ sales\_ec@teamson.com



\*\* Got questions? Please have your product code (on the first page of this instruction, e.g. TD-12345A) and the order number ready, give us a call or email us through our customer care support! We are always ready to assist you!

# Exploded Drawing



Scan for assembly instructions.

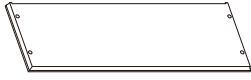
## Product Parts

A



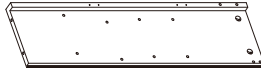
1 PC

B



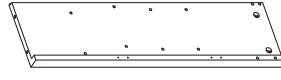
1 PC

C



1 PC

D



1 PC

E



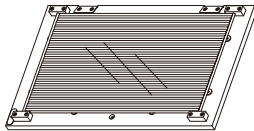
1 PC

F



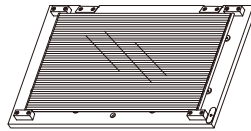
1 PC

G



1 PC

H



1 PC

I



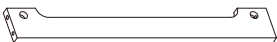
1 PC

J



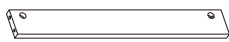
1 PC

K



1 PC

L



1 PC

### **! Care Instructions**

Dust surface with a dry soft cloth. Do not use window cleaners or cleaning abrasives as they will scratch the surface and could damage the protective coating

### **! WARNING**

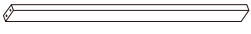
Small parts and sharp edges may be present prior to assembly.



Scan for assembly instructions.

**Product Parts**

M



1 PC

N



1 PC

O



1 PC

P



1 PC

Q



1 PC

R



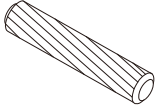
1 PC



**Scan for assembly instructions.**

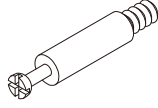
# Hardware

1



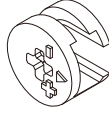
20 PCS

2



8 PCS

3



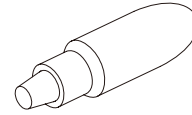
8 PCS

4



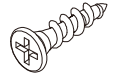
8 PCS

5



1 PC

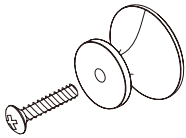
6



Ø3\*15mm

8 PCS

7



2 SETS

8



Ø3\*12 D=7

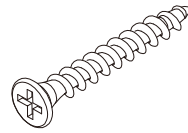
20 PCS

9



4 PCS

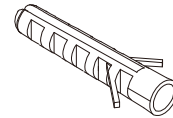
10



Ø4\*38mm

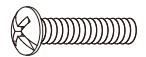
10 PCS

11



2 PCS

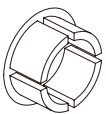
12



Ø1/4"\*1"

4 PCS

13



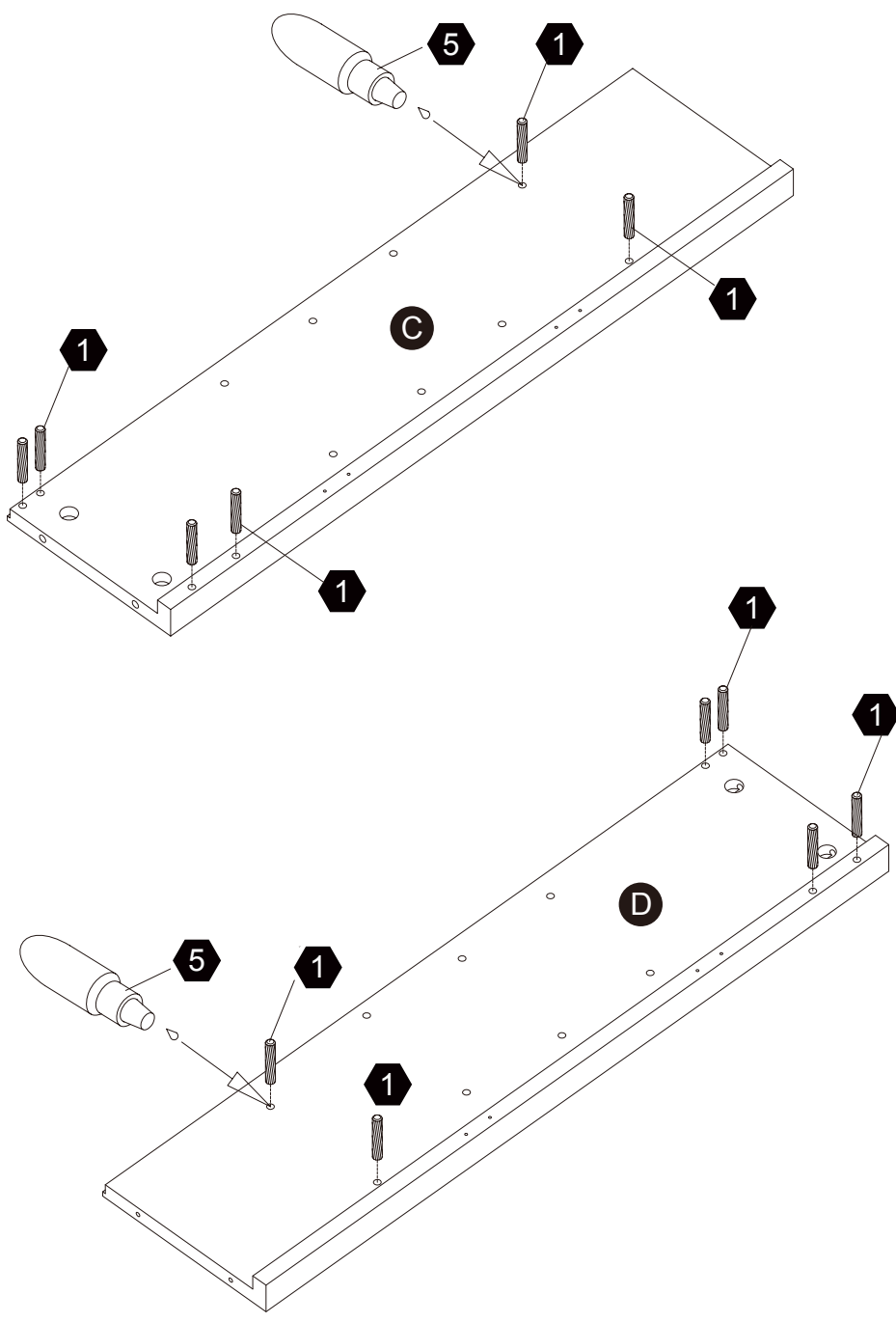
4 PCS



Scan for assembly instructions.

# Step 1

- 1 12 pcs
- 5 1 pc

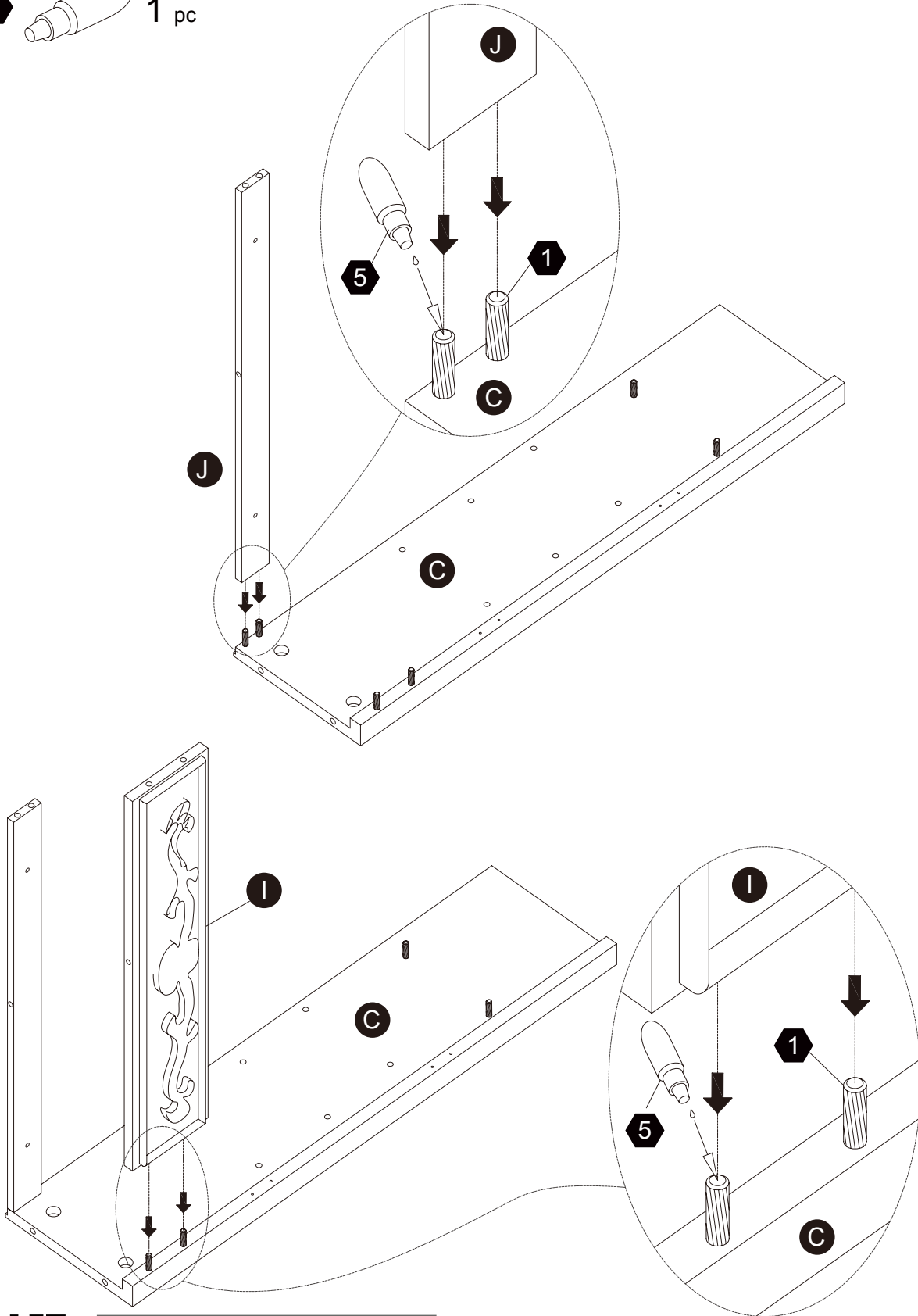


Scan for assembly instructions.



## Step 2

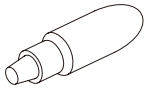
5 1 pc



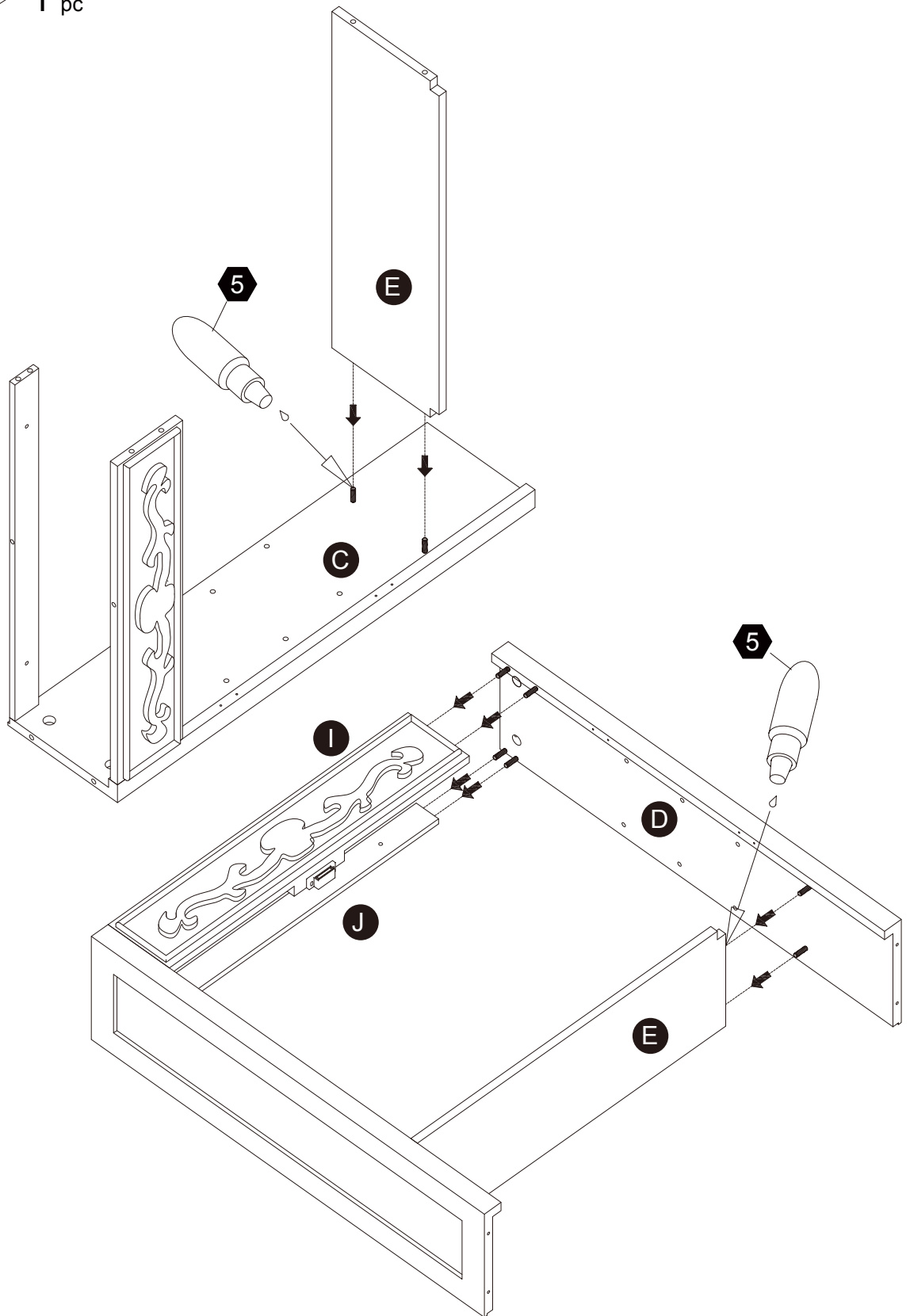
Scan for assembly instructions.

## Step 3

5



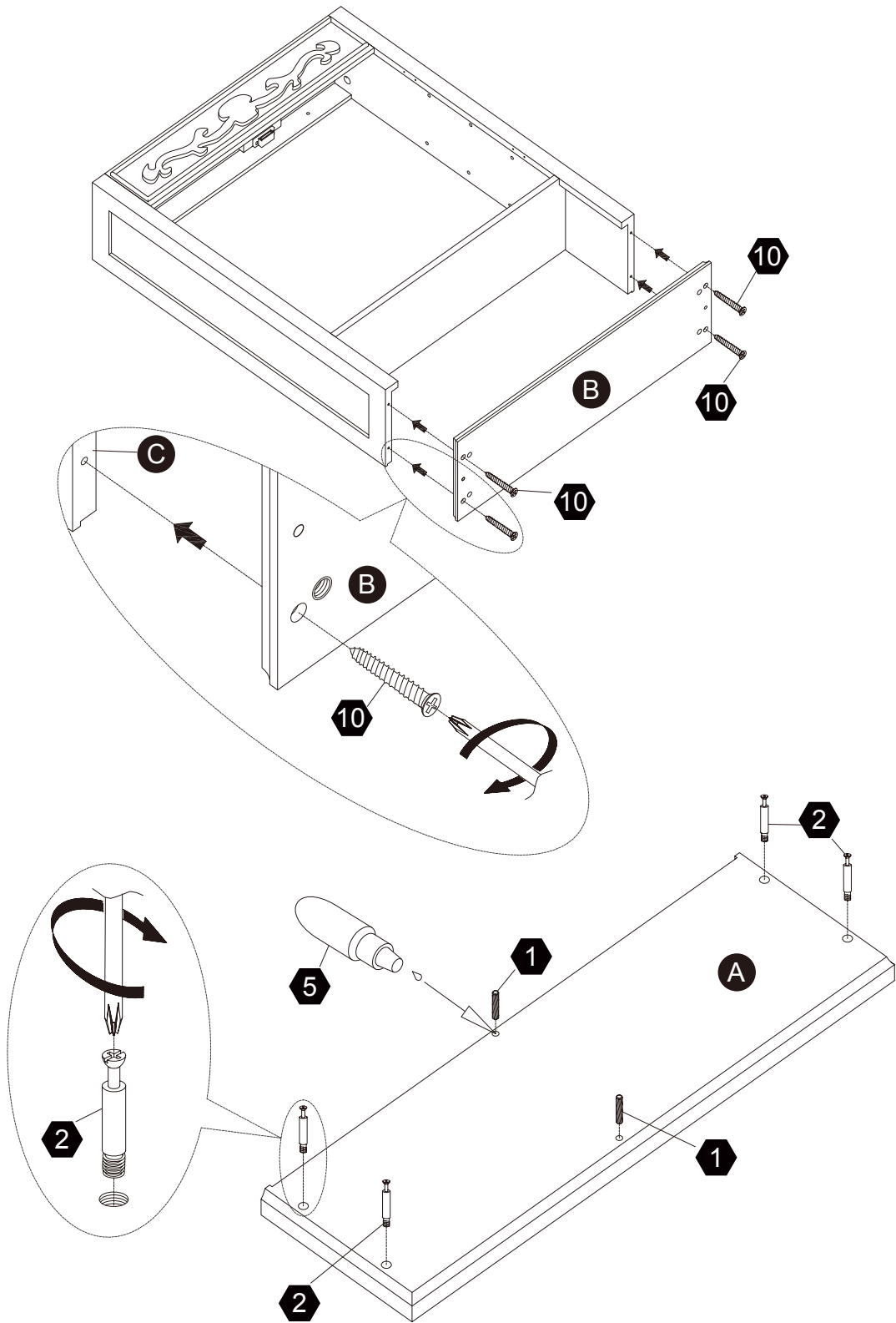
1 pc



Scan for assembly instructions.

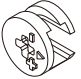
## Step 4

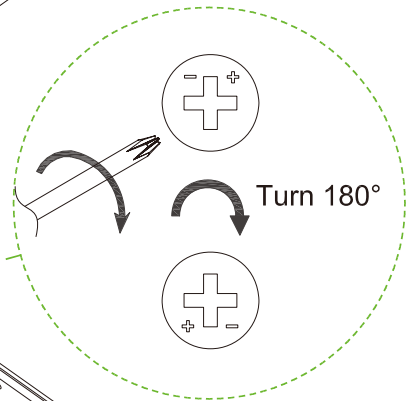
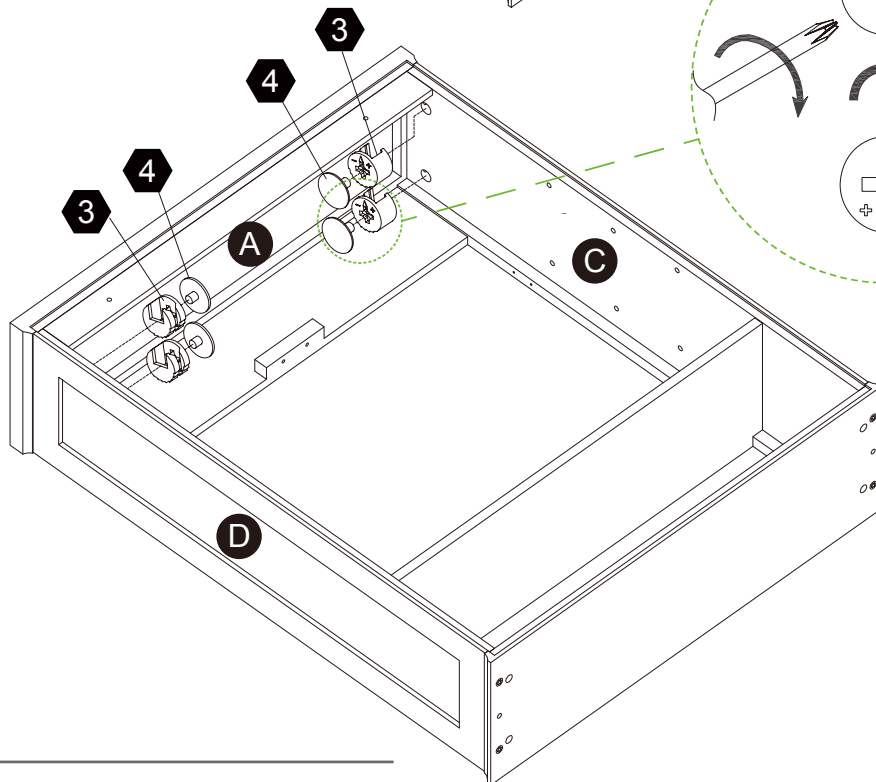
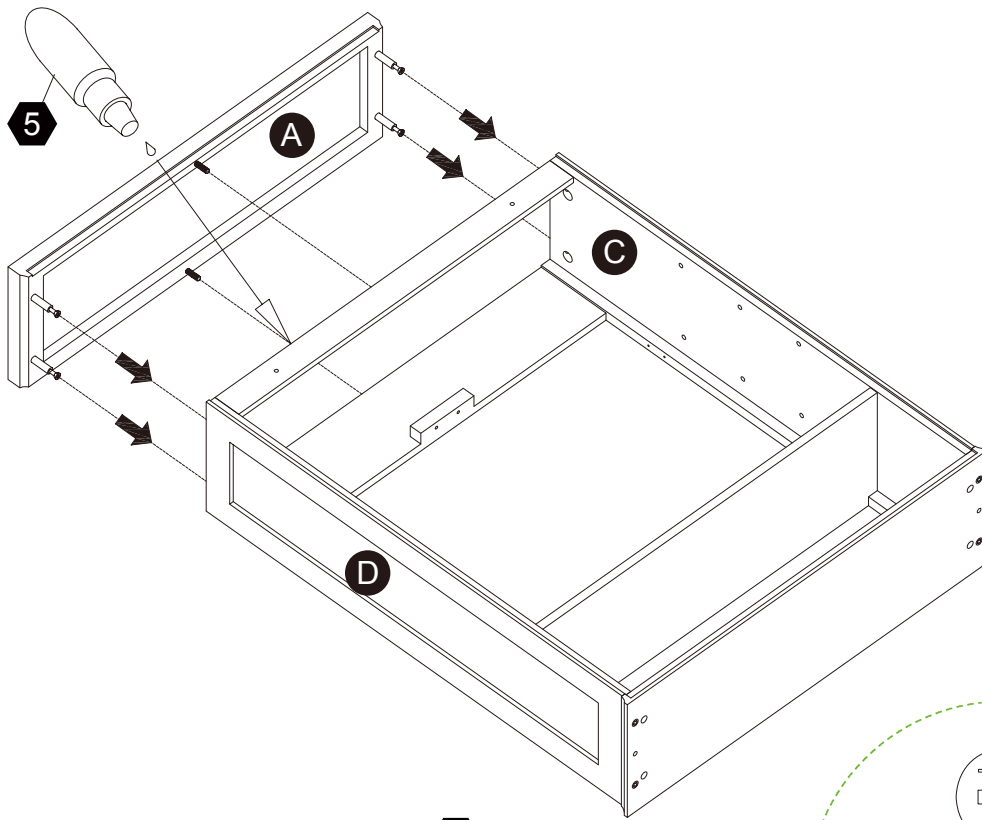
- 1**  2 pcs   **2**  4 pcs   **10**  Ø4\*38mm 4 pcs   **5**  1 pc



Scan for assembly instructions.

## Step 5

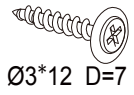
3  4 pcs    4  4 pcs    5  1 pc



Scan for assembly instructions.

## Step 6

8

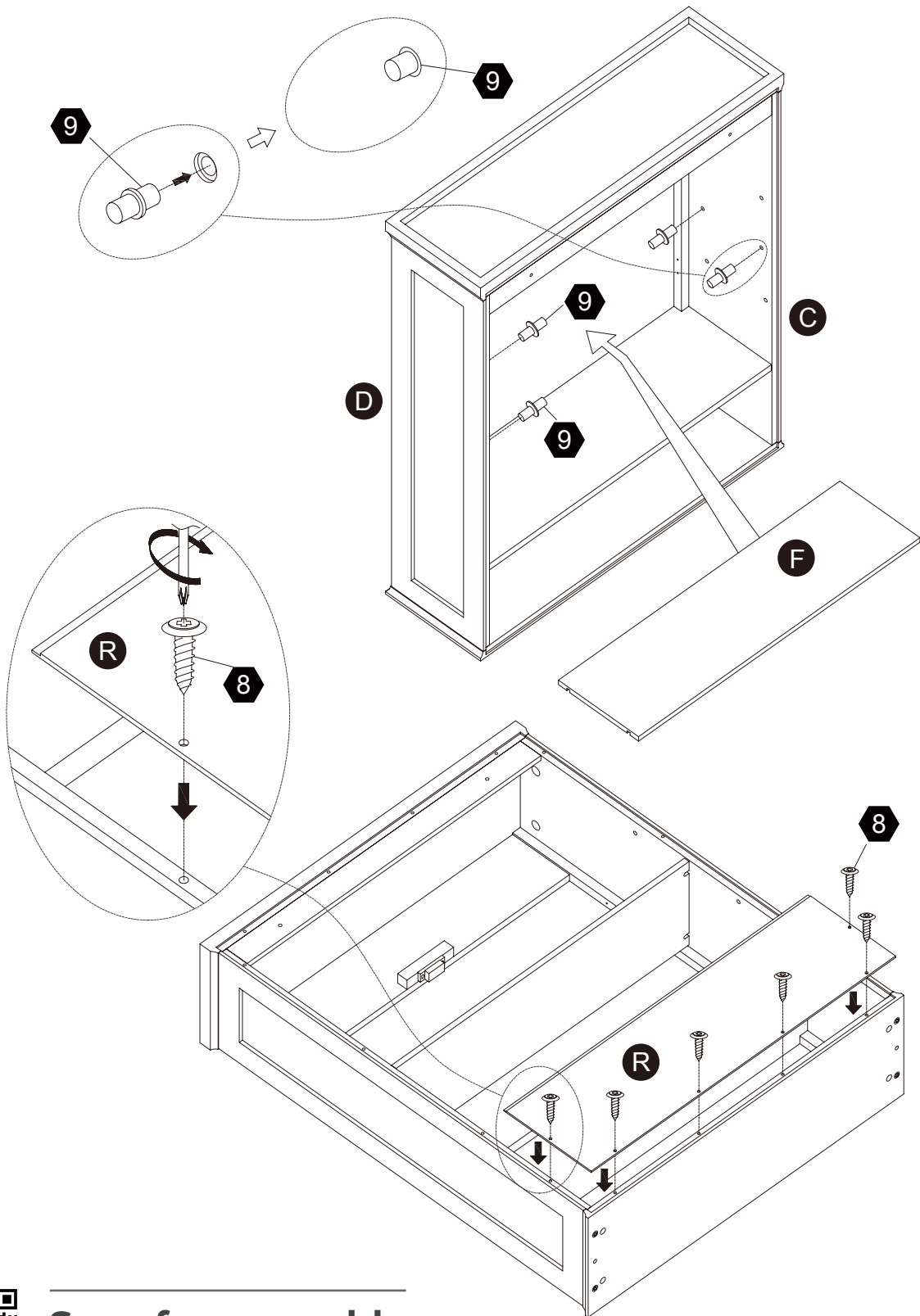


6 pcs

9




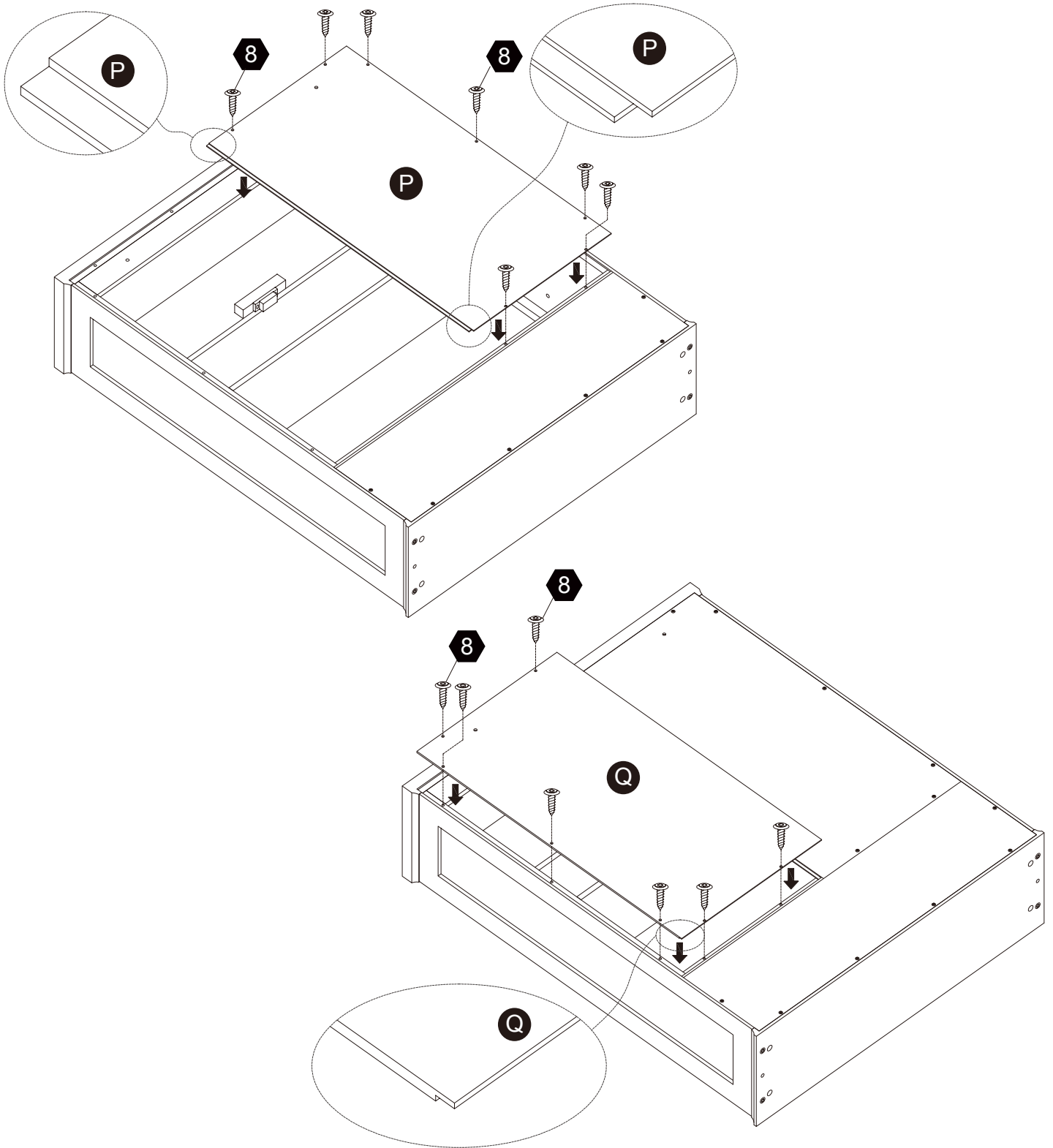
4 pcs



Scan for assembly instructions.

# Step 7

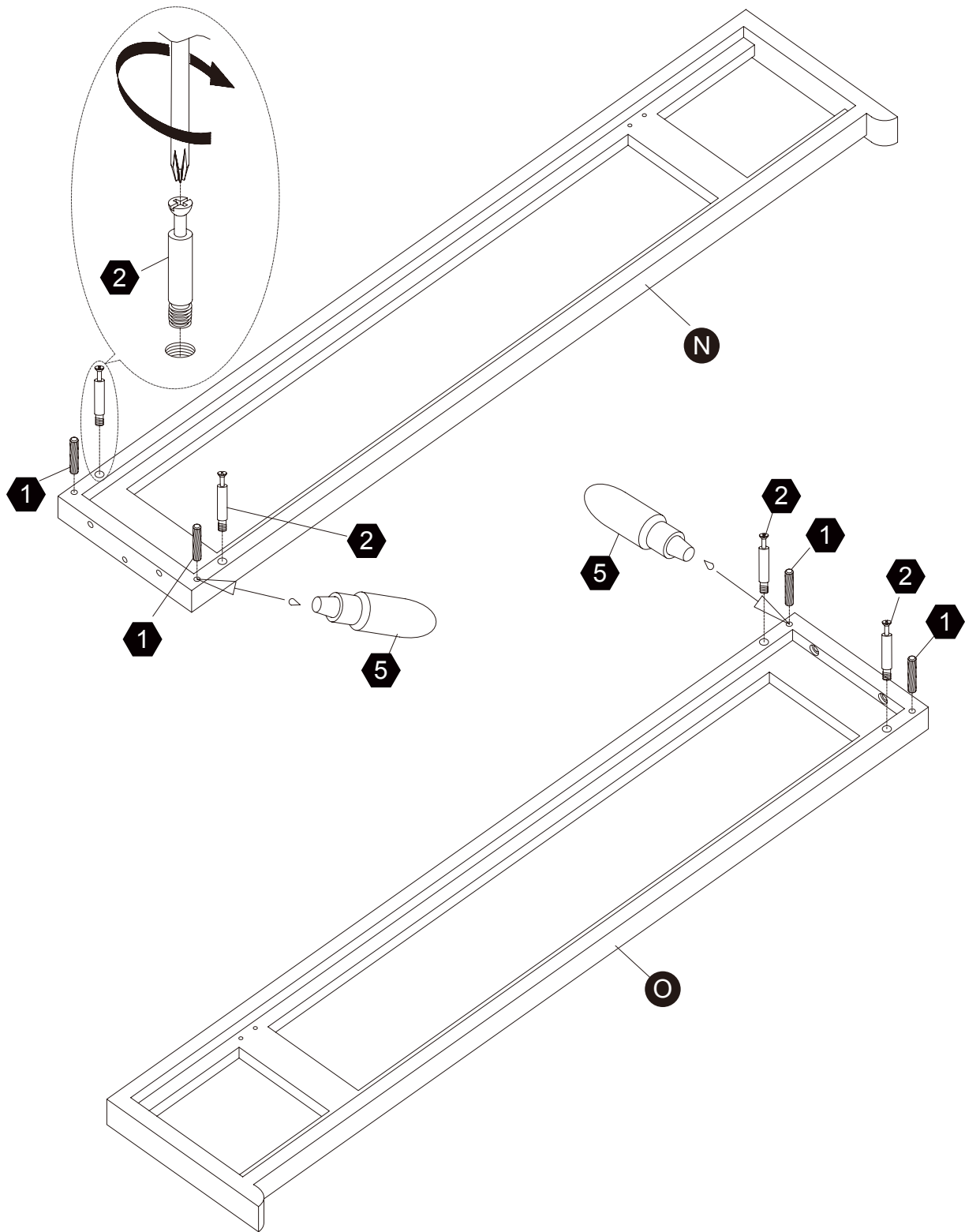
8  14 pcs  
Ø3\*12 D=7



Scan for assembly instructions.

## Step 8

- 1 4 pcs 2 4 pcs 5 1 pc



Scan for assembly instructions.

## Step 9

3



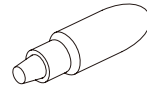
2 pcs

4

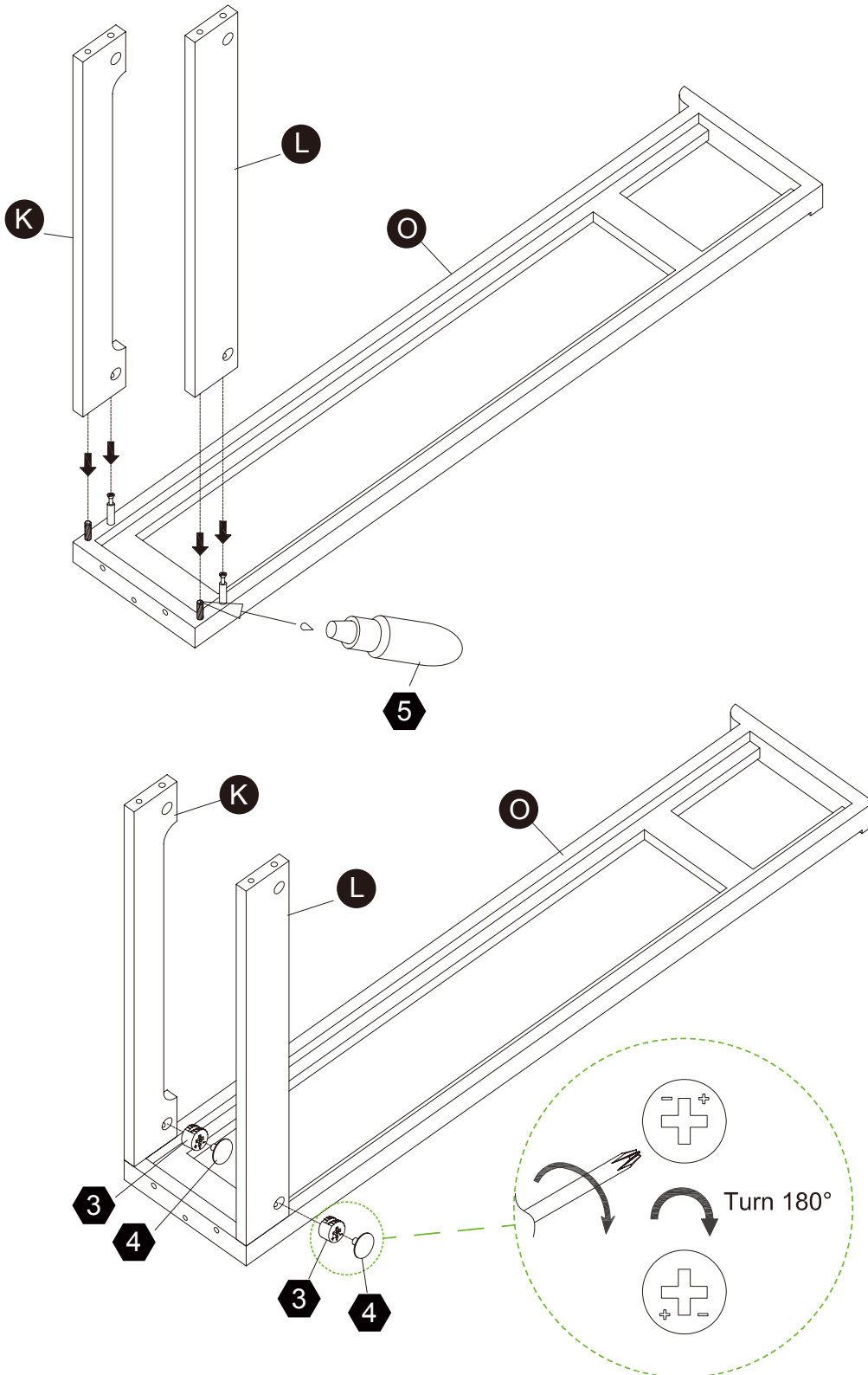


2 pcs

5



1 pc

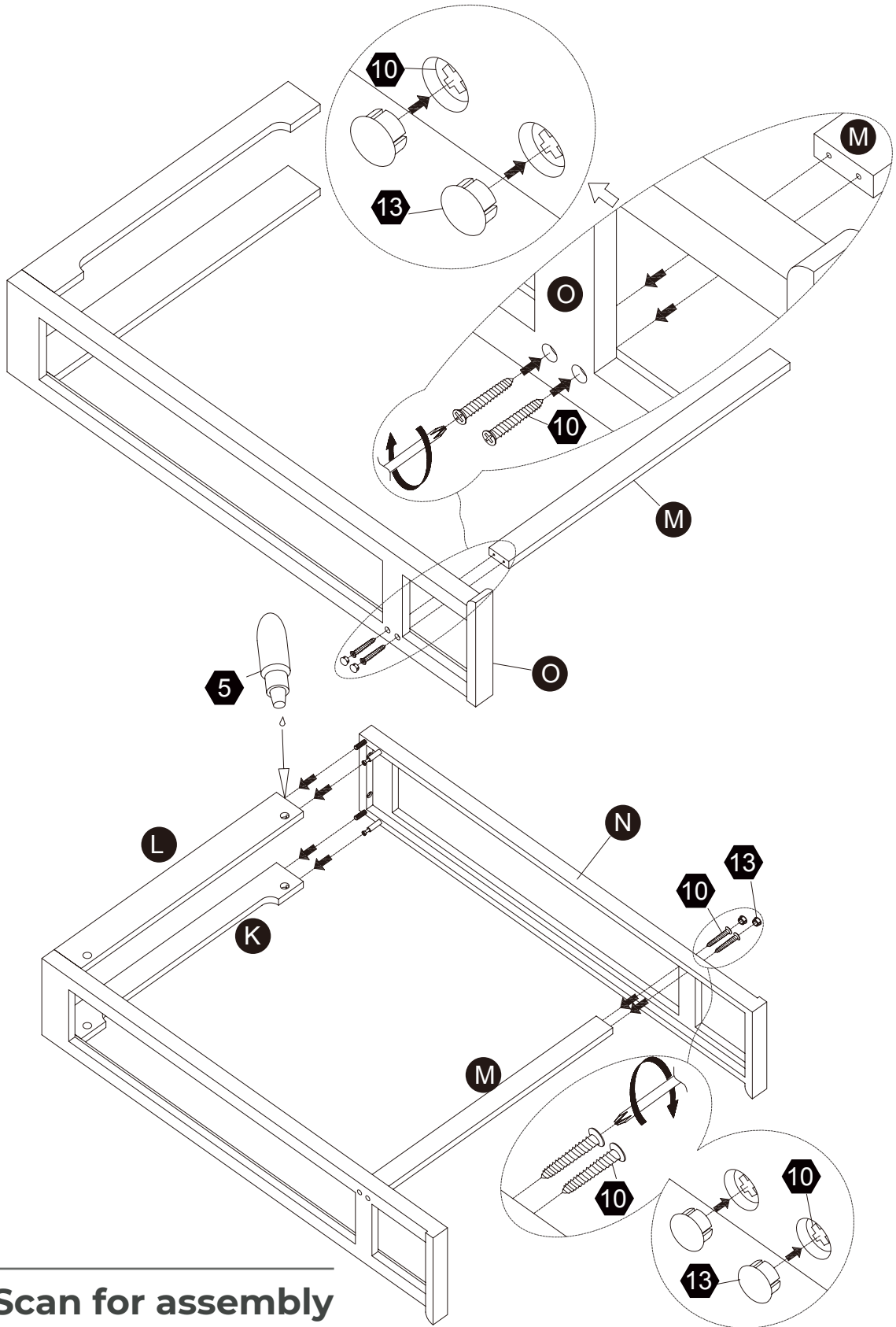


Scan for assembly instructions.



# Step 10

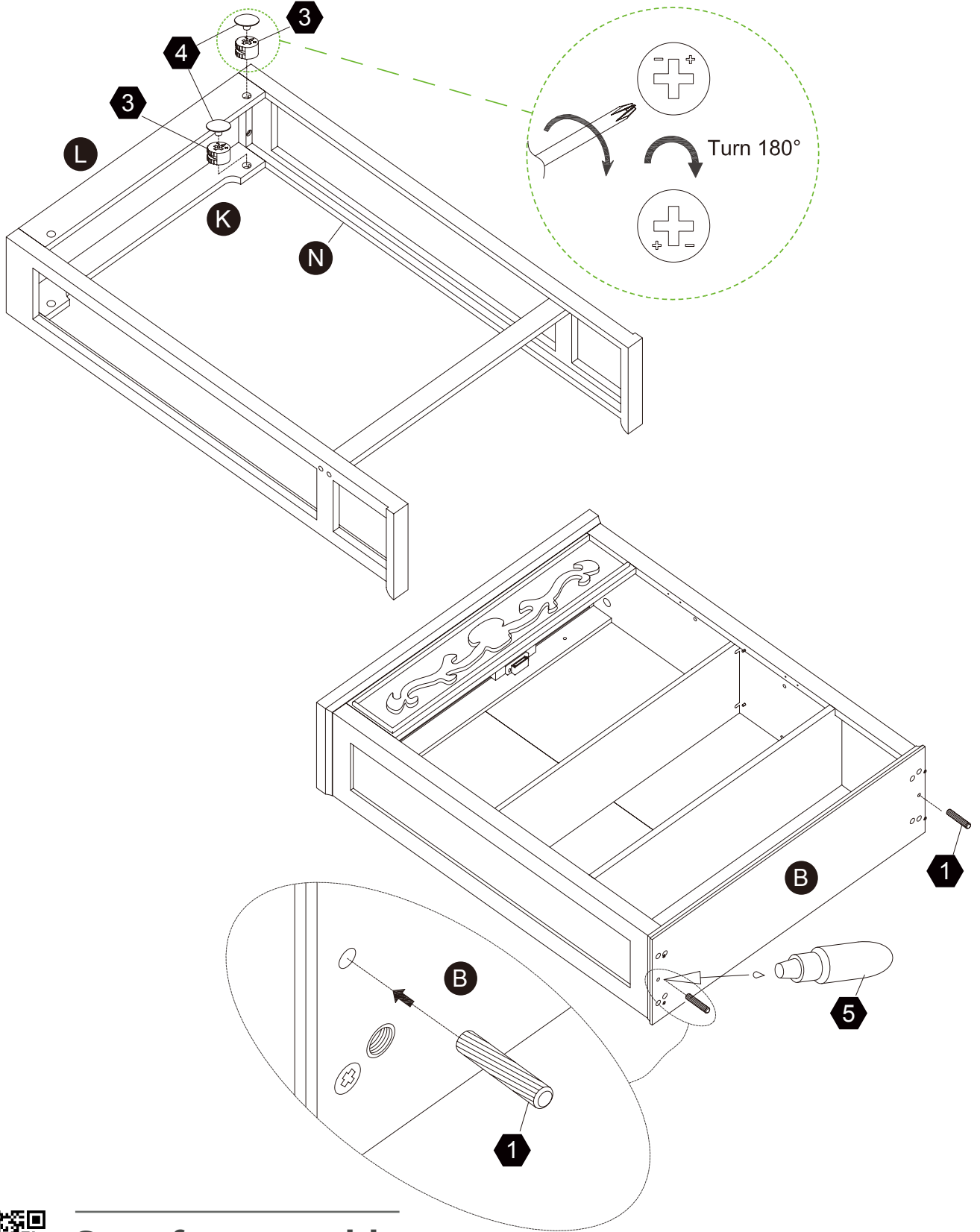
- 10**   $\varnothing 4 \times 38 \text{mm}$  4 pcs
- 13**  4 pcs
- 5**  1 pc



Scan for assembly instructions.

# Step 11

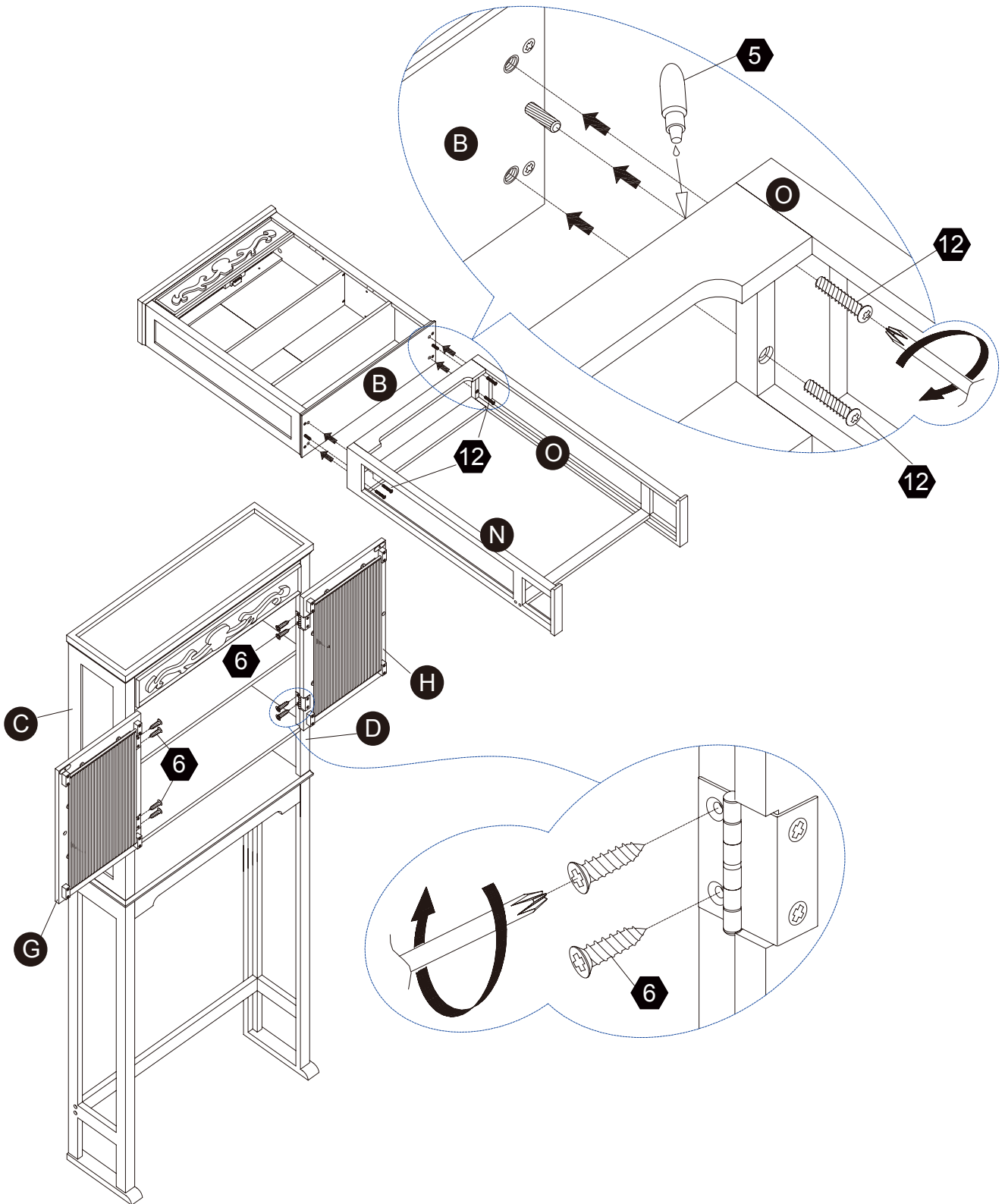
- 1 2 pcs
- 3 2 pcs
- 4 2 pcs
- 5 1 pc



Scan for assembly instructions.

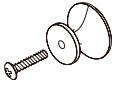
# Step 12

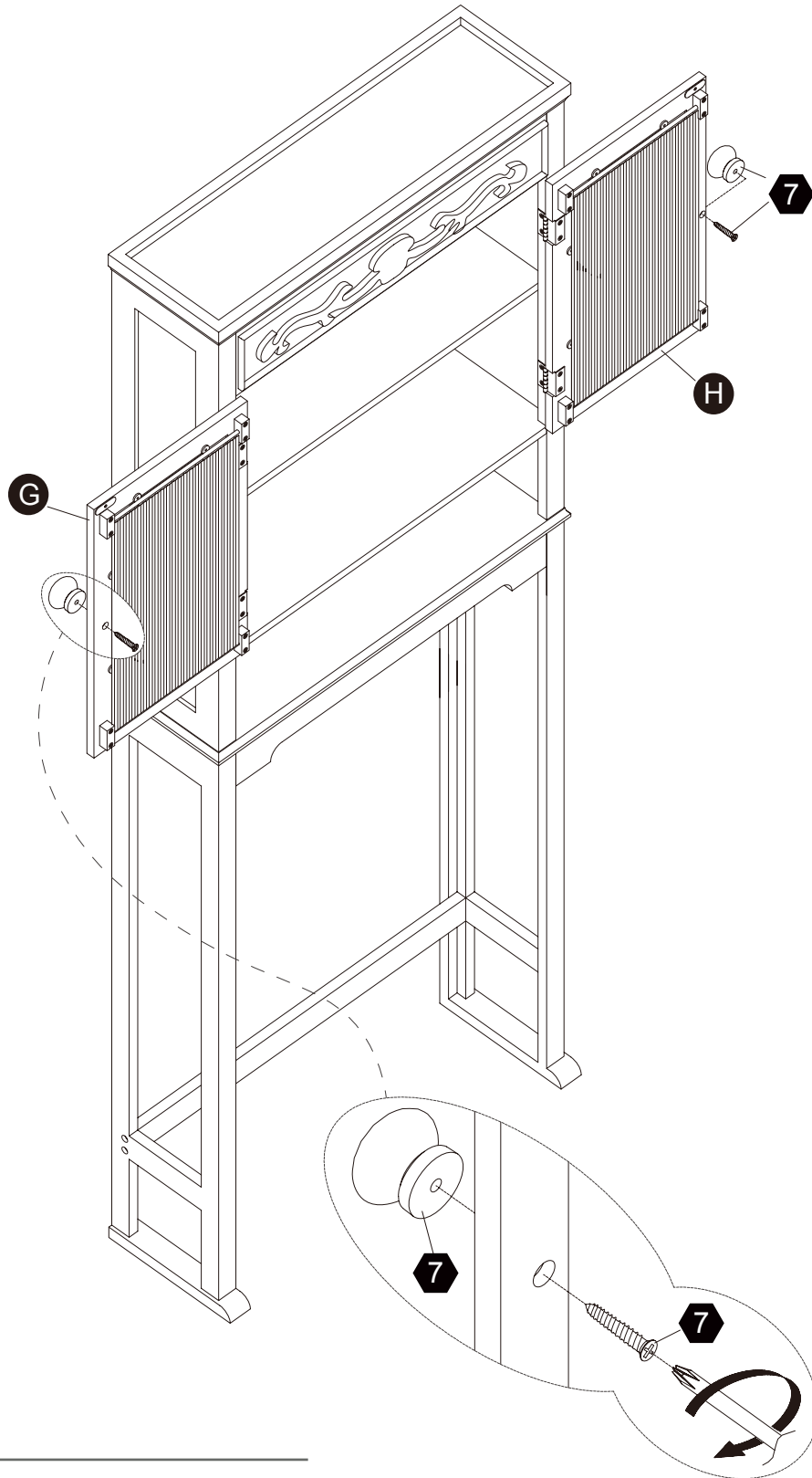
**6**   $\text{\O}3 \times 15\text{mm}$  8 pcs **12**   $\text{\O}1/4 \times 1"$  4 pcs



Scan for assembly instructions.

# Step 13

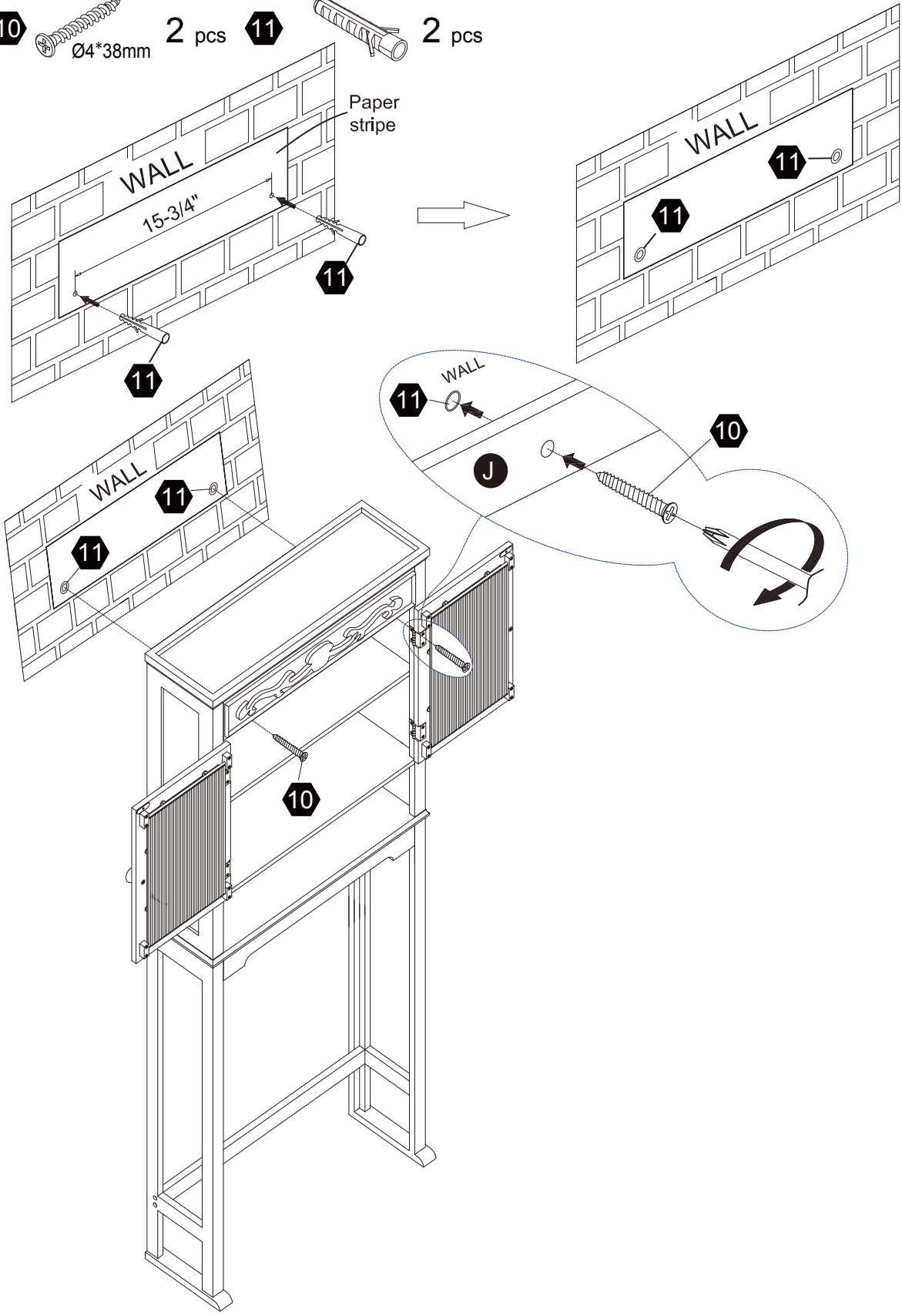
7  2 sets



Scan for assembly instructions.

# Step 14

- 10  Ø4\*38mm 2 pcs
- 11  2 pcs



Scan for assembly instructions.

