

Assembly Guide



Bush
FURNITURE

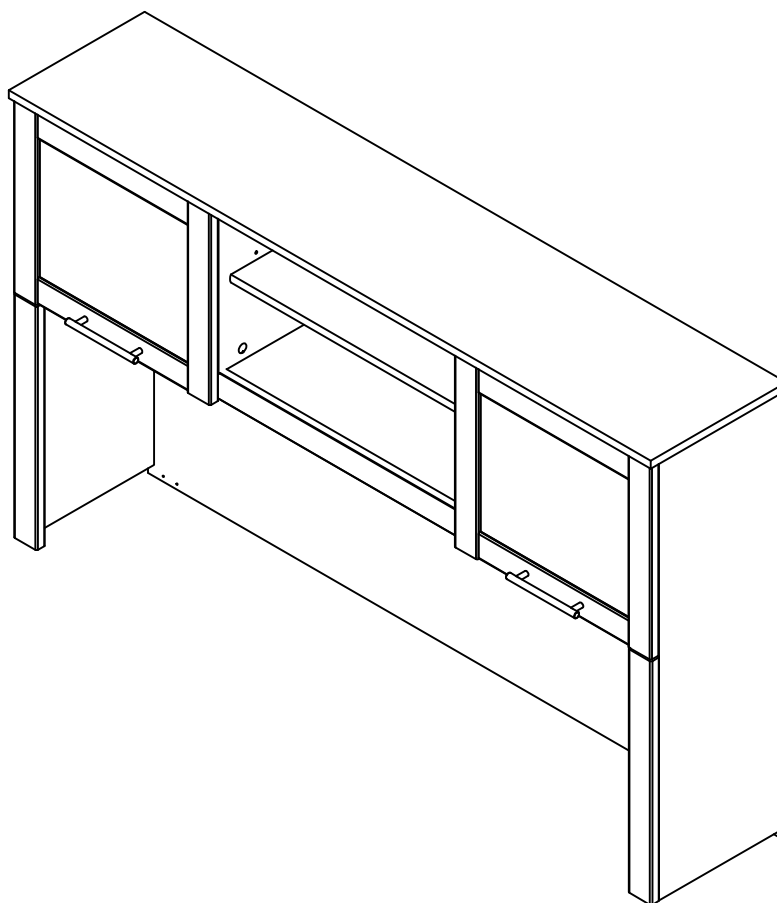


If you're having any difficulty during assembly of this product, don't hesitate to call us at **1-800-950-4782.**

Our customer service experts are trained to provide step-by-step instruction and can easily replace any missing or damaged parts.

Representatives are available Monday-Friday from 8:30 a.m. to 7:30 p.m. (ET)

60W Hutch



Lot Code #

Instruction Sheet Number A177868F

Keep manual for future reference.

For best results, keep these tips in mind:

- ① We know you want to finish this assembly as quickly as possible, but trust us: you'll have a better experience if you take it one step at a time.
- ② Give yourself some room to work near where you want the fully assembled product.
- ③ If your floor isn't carpeted, assemble this product on the empty carton to avoid scratching.
- ④ Do you have a friend who owes you a favor? Some steps may go a little easier with a second set of hands.

DOs

- ✔ Use a #2 Phillips head screwdriver (or other handheld tools as indicated)
- ✔ Wear safety glasses at all times during assembly
- ✔ Carefully follow the instructions in this guide and complete all steps in order
- ✔ Give us a call if you're having trouble with a particularly tricky step

DON'Ts

- ✘ We know power tools are quick and easy, but you shouldn't use them when assembling this product (unless otherwise specified)
- ✘ Never move your furniture with items inside or resting on the surface
- ✘ Do not attempt to use this product before all steps have been completed

Watch assembly videos right on your phone or computer!



Some steps include QR codes that link to helpful videos. Watch out for the icon on the left! Simply open up your smartphone camera to scan the code.

(Users of older smartphones may need to install a QR Reader.)

SCAN HERE



FOR VIDEOS

Or visit <https://www.bushfurniture.com/CustomerService/HowtoAssemble.aspx>



IMPORTANT SAFETY INFORMATION



PLEASE READ WARNINGS

Improper use can cause safety hazards, or damage to your furniture and household items.

Warning	Do	Don't	Why it's important
Serious injury may occur.	<ul style="list-style-type: none">Assemble following all instructions using all indicated parts and hardware provided.Attach hutch only as described in the instructions.Verify furniture is stable on it's own.Only place against a permanent wall structure at least as tall as the hutch or place back-to-back with hutch of same size.	<ul style="list-style-type: none">Do not move unit when loaded.Do not load with a television or other heavy equipment.Do not exceed the maximum load limits stated in the instructions.Do not allow children to climb, or hang on furniture.	Improper assembly, use or loading can lead to product instability, tip-over or collapse.

Advertencia	Hacer	No	Por qué es importante
Se pueden producir lesiones graves.	<ul style="list-style-type: none">Ensamble siguiendo todas las instrucciones utilizando todas las piezas y ferretería indicados provistos.Conecte la conejera solo como se describe en las instrucciones.Verifique que los muebles sean estables por sí mismos.Solo colóquelo contra una estructura de pared permanente al menos tan alta como la conejera o colóquelo espalda con espalda con una conejera del mismo tamaño.	<ul style="list-style-type: none">No mueva la unidad cuando esté cargada.No cargue con un televisor u otro equipo pesado.No exceda los límites máximos de carga establecidos en las instrucciones.No permita que los niños se paren, trepen o cuelguen de muebles.	El ensamblaje, uso o carga inadecuados pueden provocar inestabilidad del producto, vuelco o colapso.

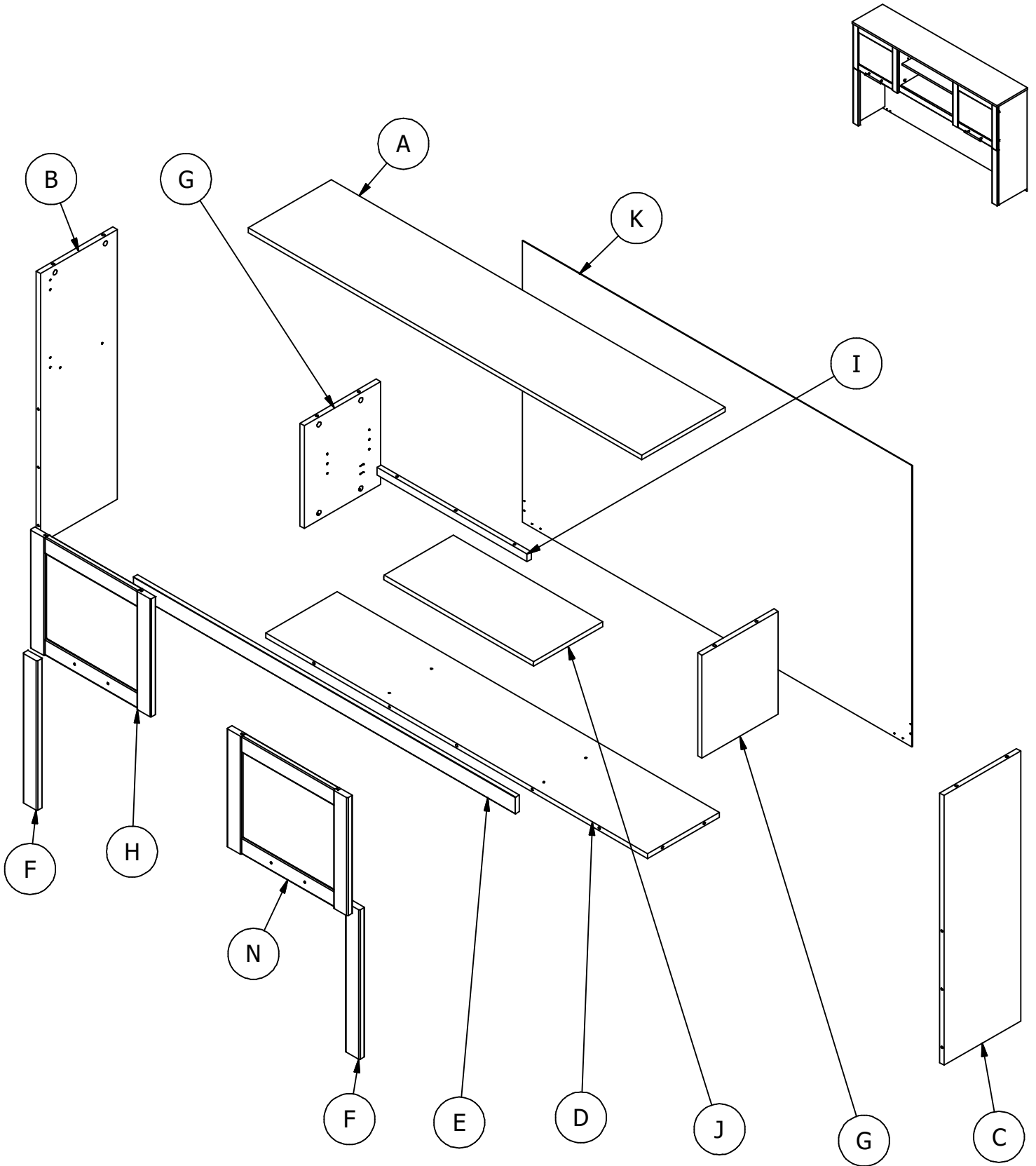
IMPORTANT SAFETY INFORMATION



PLEASE READ WARNINGS

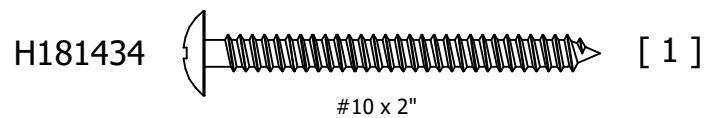
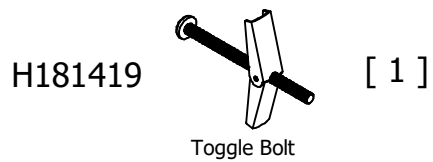
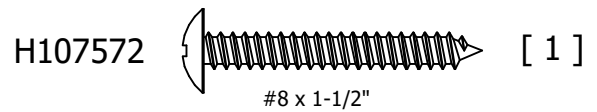
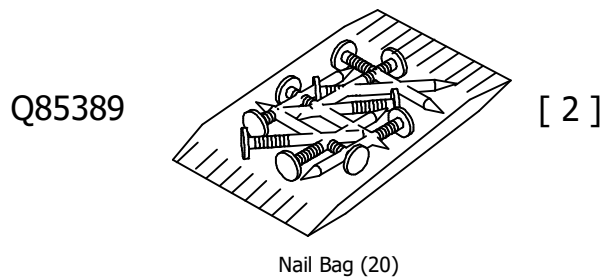
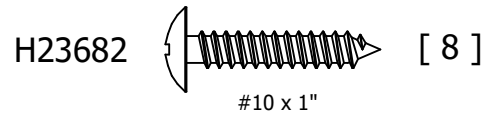
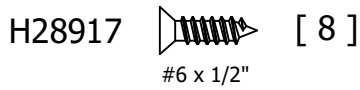
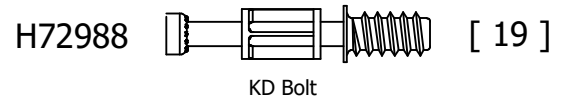
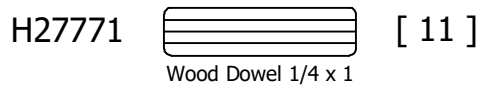
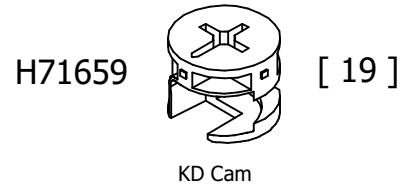
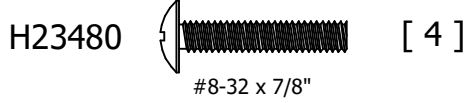
Improper use can cause safety hazards, or damage to your furniture and household items.

Avertissement	Faire	Ne le fais pas	Pourquoi c'est important
Des blessures graves peuvent survenir.	<ul style="list-style-type: none">• Assemblez en suivant toutes les instructions en utilisant toutes les pièces et le matériel indiqués fournis.• Fixez la huche uniquement comme décrit dans les instructions.• Vérifiez que les meubles sont stables par eux-mêmes.• Placer uniquement contre une structure murale permanente au moins aussi haute que la huche ou placer dos à dos avec une huche de même taille.	<ul style="list-style-type: none">• Ne déplacez pas l'unité lorsqu'elle est chargée.• Ne chargez pas avec un téléviseur ou un autre équipement lourd.• Ne dépassez pas les limites de charge maximale indiquées dans les instructions.• Ne laissez pas les enfants grimper ou s'accrocher aux meubles.	Un assemblage, une utilisation ou un chargement incorrects peuvent entraîner une instabilité du produit, un renversement ou un effondrement.



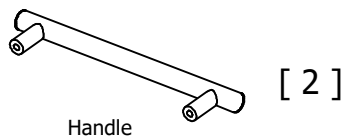
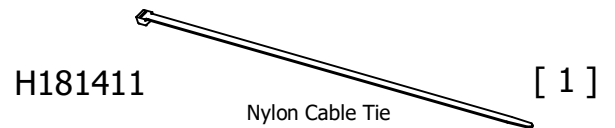
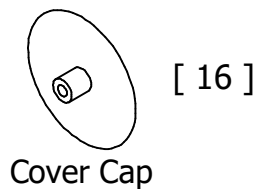
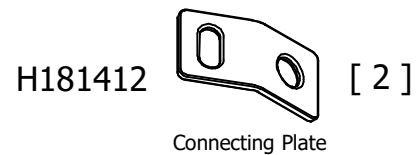
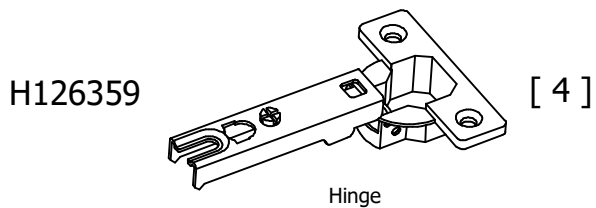
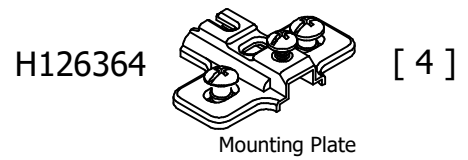
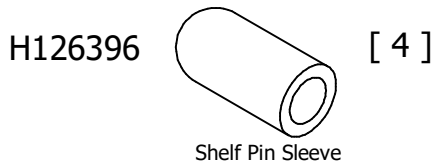
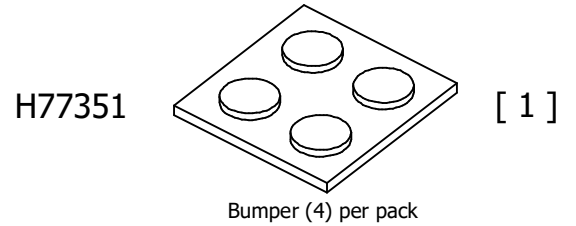
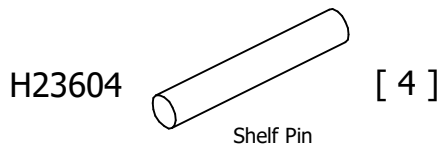
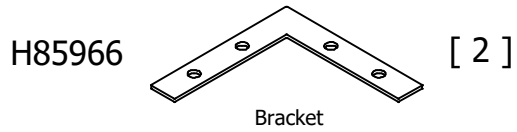
Have an assembly question or need a replacement part? Just call
1-800-950-4782, we are here to help.

Fasteners are shown actual size.



Have an assembly question or need a replacement part? Just call **1-800-950-4782**, we are here to help.

Hardware not to scale.



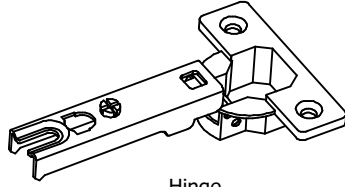
Have an assembly question or need a replacement part? Just call
1-800-950-4782, we are here to help.

STEP 1

Prepare Doors

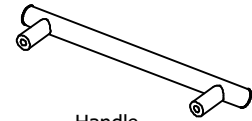
A177868F

H126359



Hinge

[4]



Handle

[2]

H28917



#6 x 1/2"

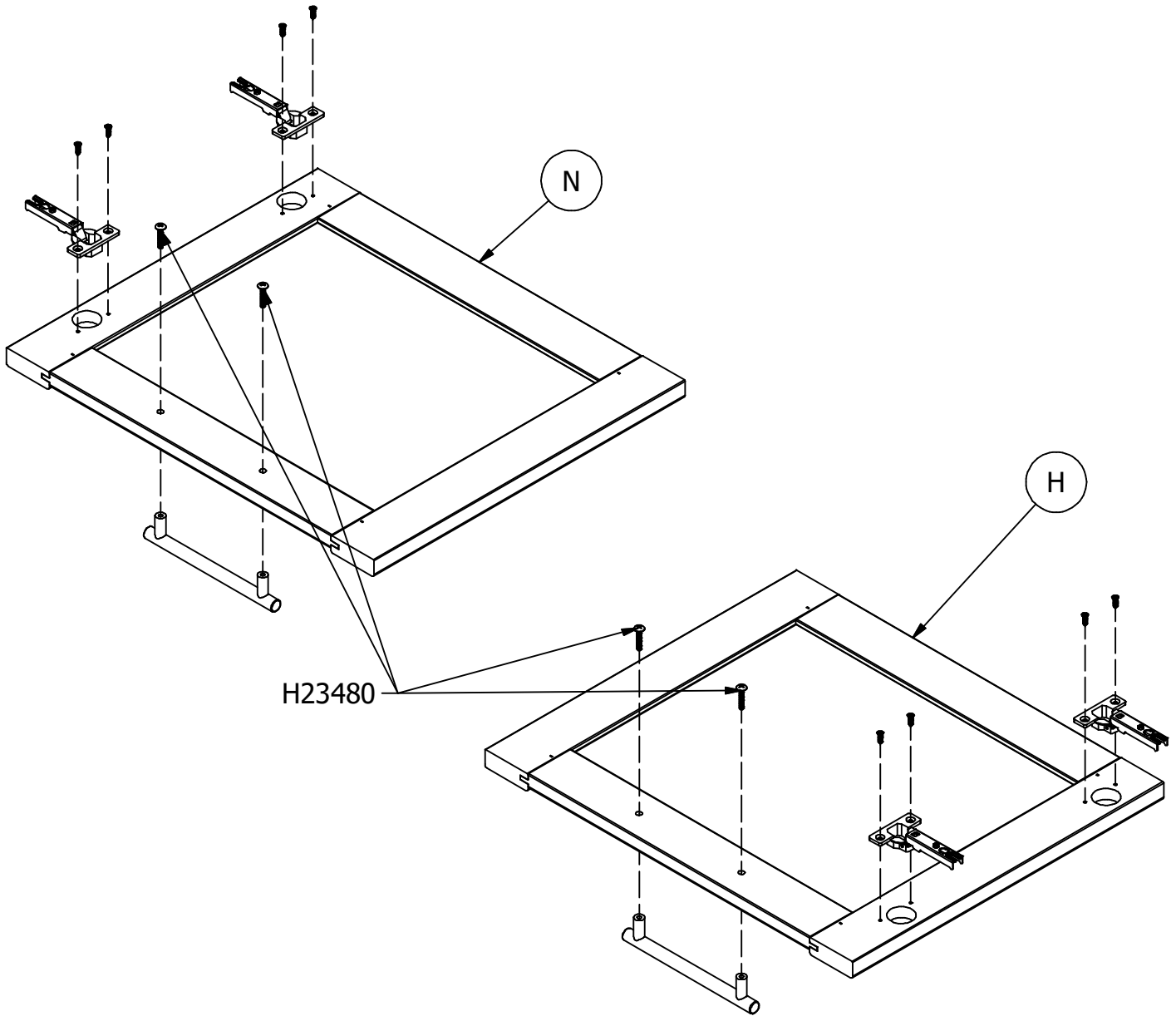
[8]

H23480



#8-32 x 7/8"

[4]

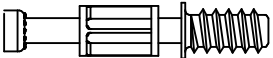


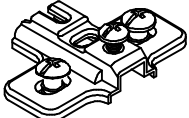
Have an assembly question or need a replacement part? Just call
1-800-950-4782, we are here to help.

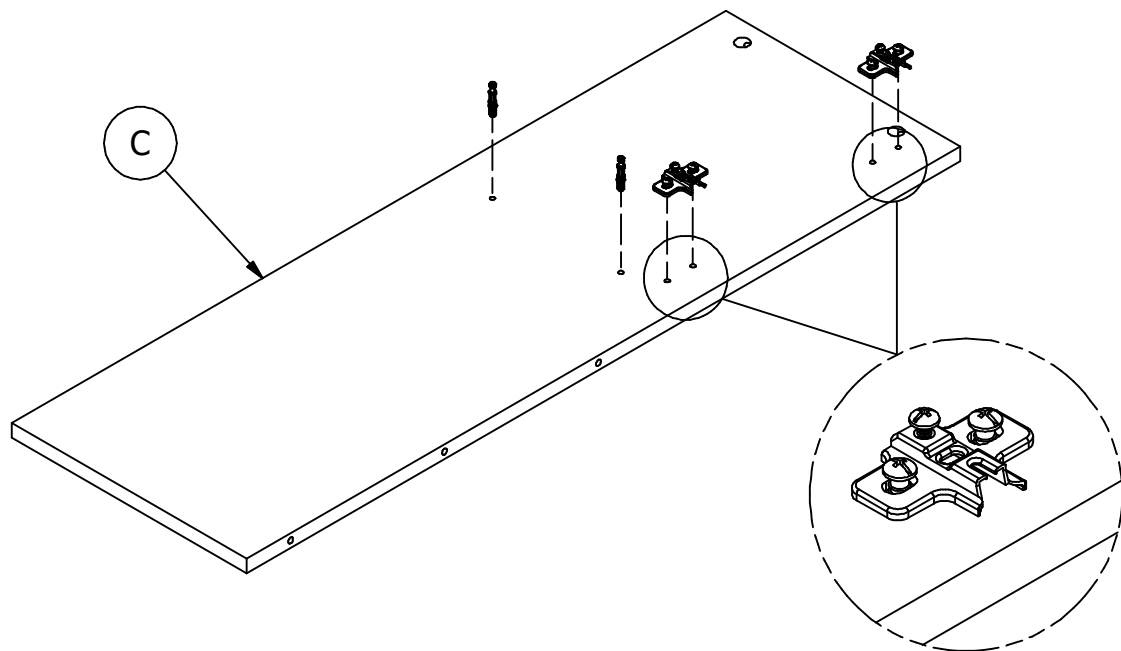
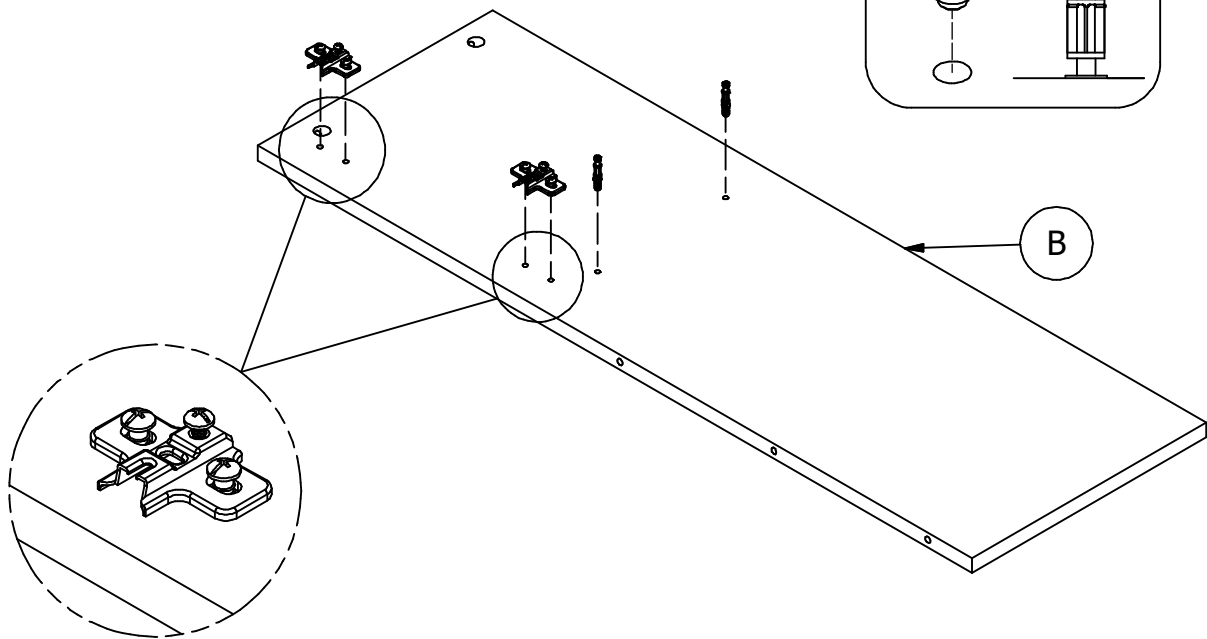
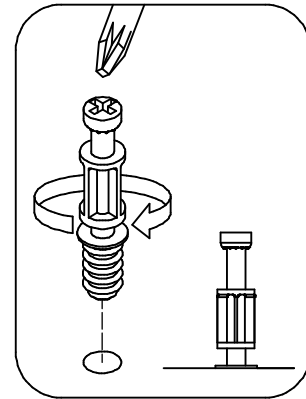
STEP 2

Prepare Panels

A177868F

H72988  [4]
KD Bolt

H126364  [4]
Mounting Plate

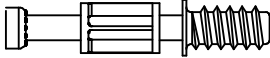


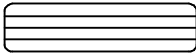
Have an assembly question or need a replacement part? Just call
1-800-950-4782, we are here to help.

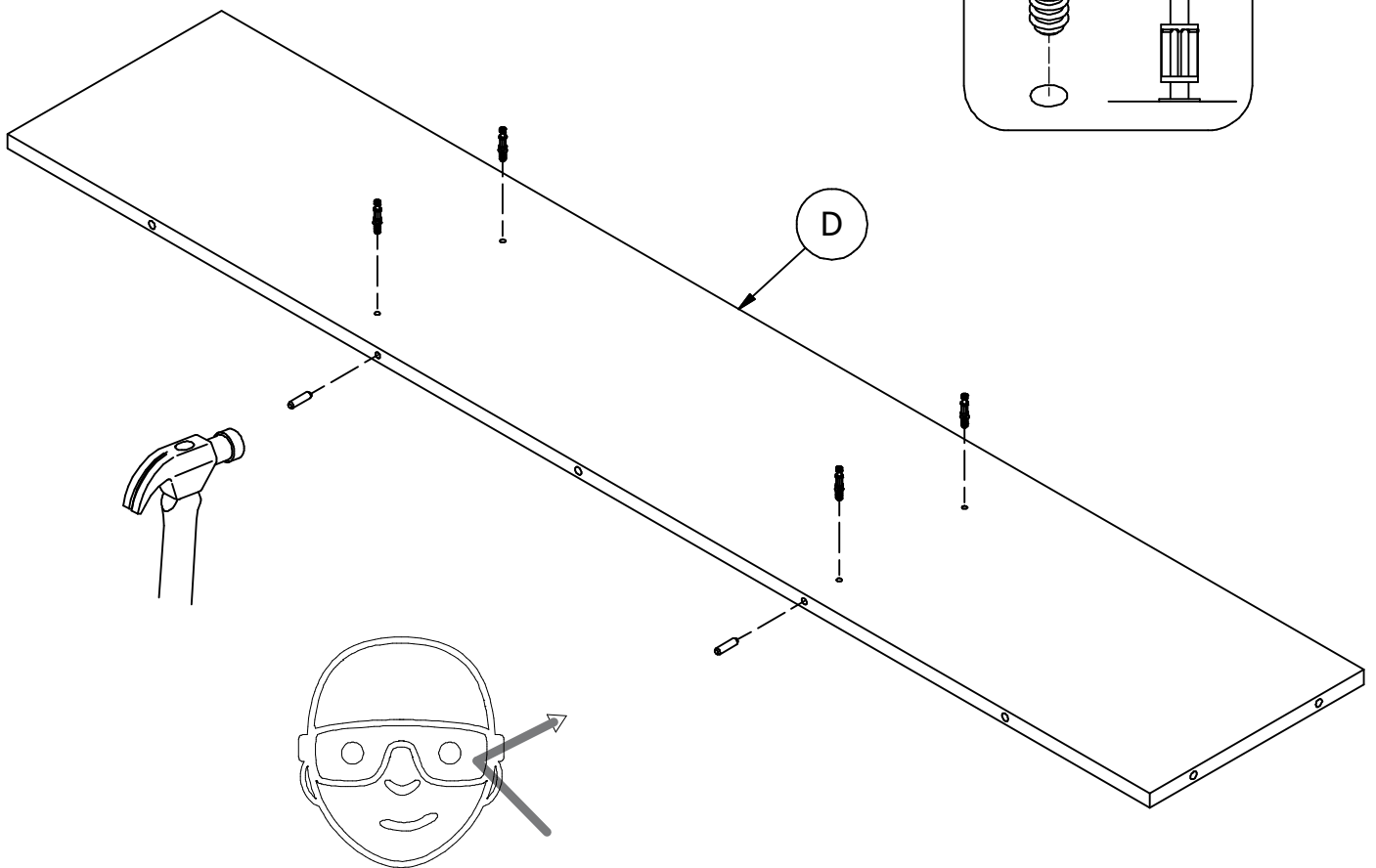
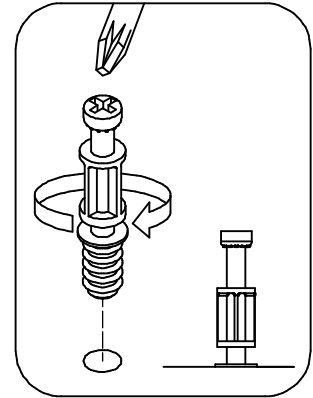
STEP 3

Prepare Panel

A177868F

H72988  [4]
KD Bolt

H27771  [2]
Wood Dowel 1/4 x 1



Safety glasses
Gafas de seguridad
Lunettes de protection

Have an assembly question or need a replacement part? Just call
1-800-950-4782, we are here to help.

STEP 4

Assemble Panel

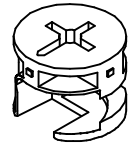
A177868F

Scan QR Code to Watch Video on:



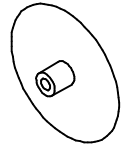
How to Tighten KD Cams

H71659



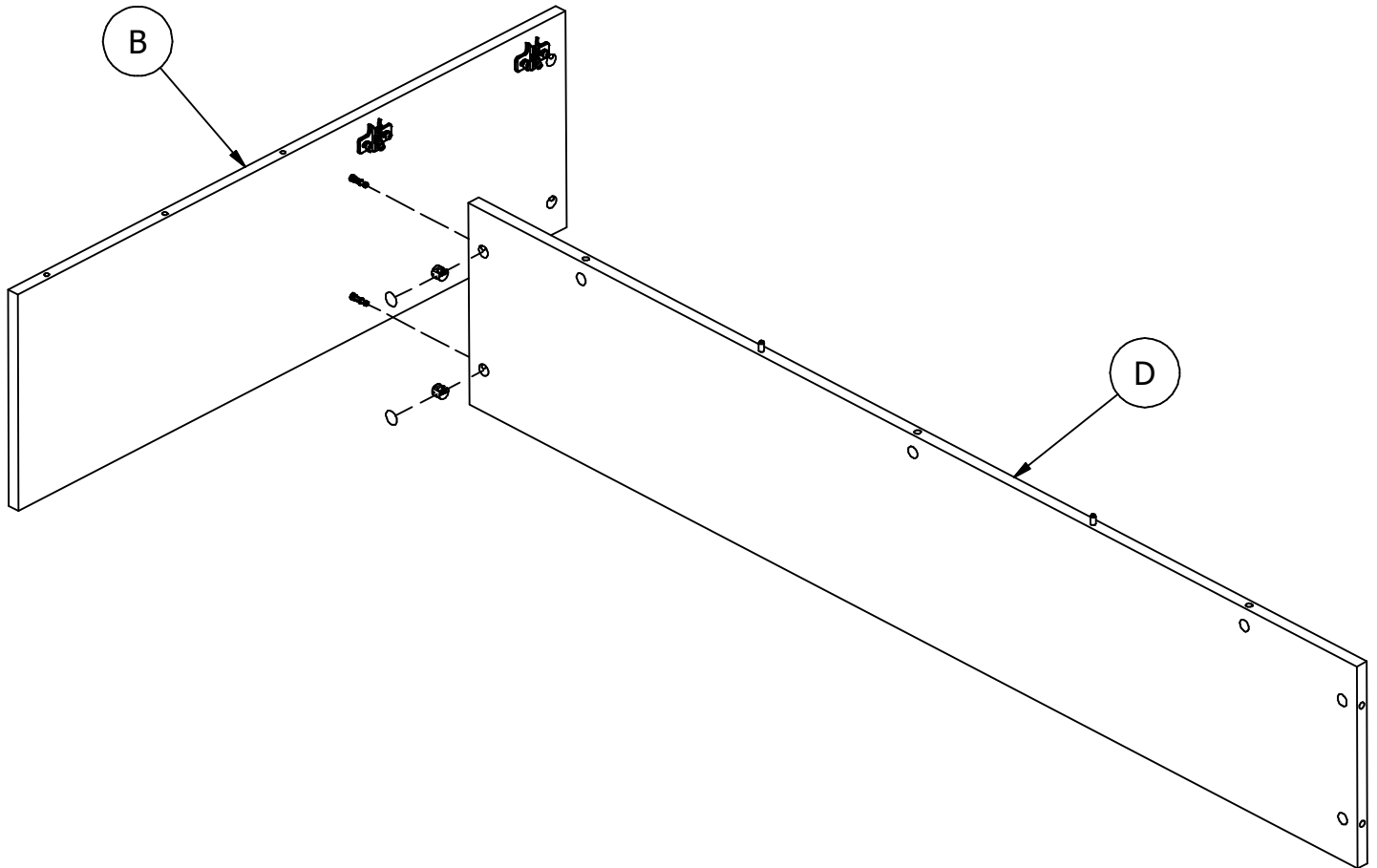
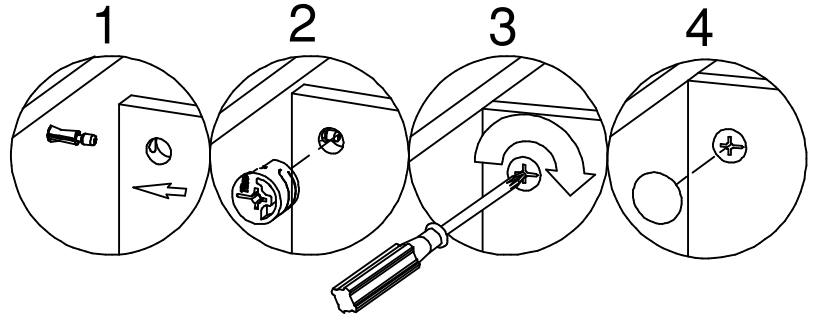
KD Cam

[2]



[2]

Cover Cap



Have an assembly question or need a replacement part? Just call **1-800-950-4782**, we are here to help.

STEP 5

Assemble Panel

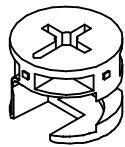
A177868F

Scan QR Code to Watch Video on:



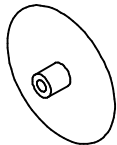
How to Tighten KD Cams

H71659



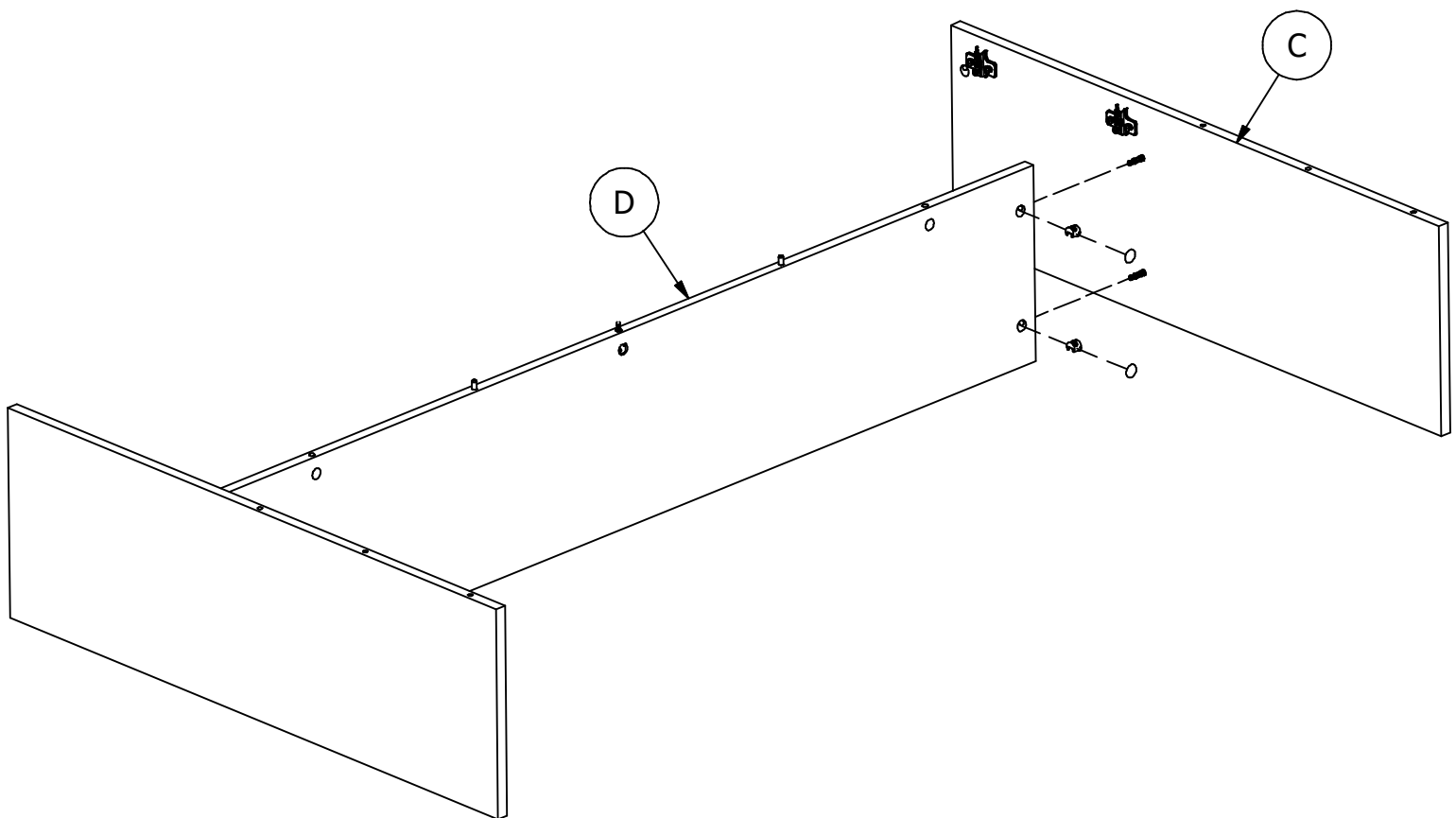
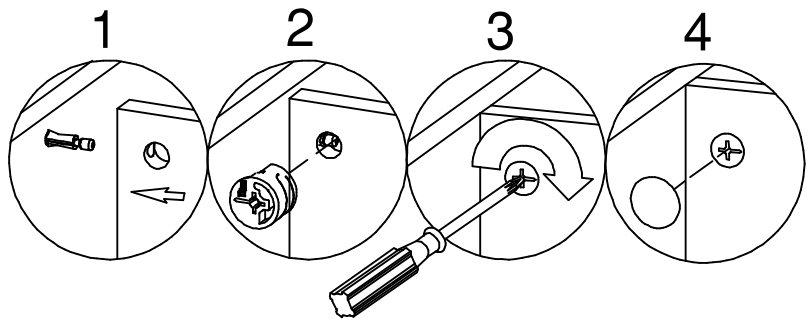
KD Cam

[2]



[2]

Cover Cap



Have an assembly question or need a replacement part? Just call **1-800-950-4782**, we are here to help.

STEP 6

Assemble Panels

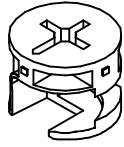
A177868F

Scan QR Code to Watch Video on:



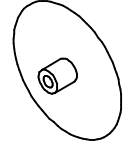
How to Tighten KD Cams

H71659



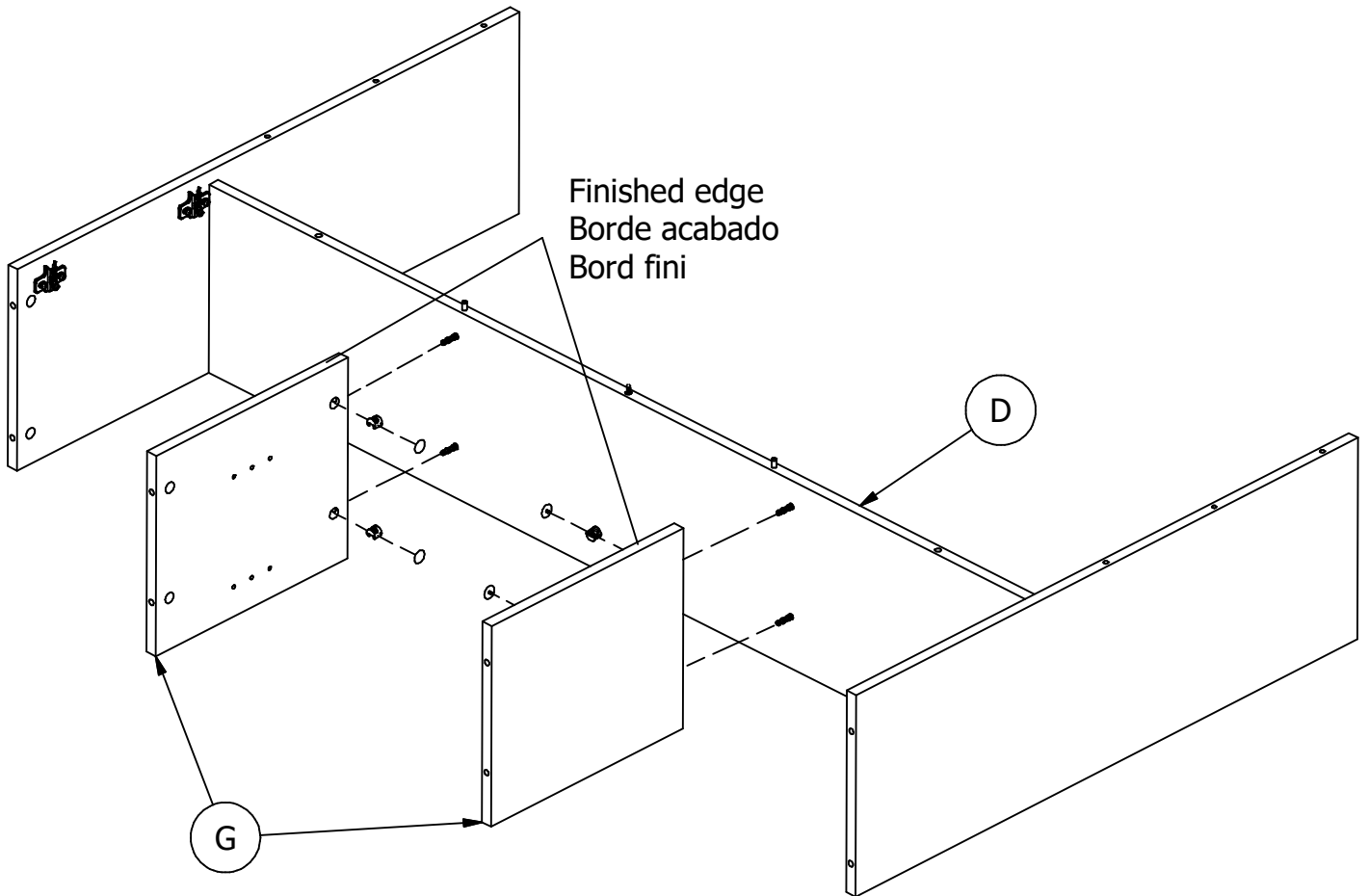
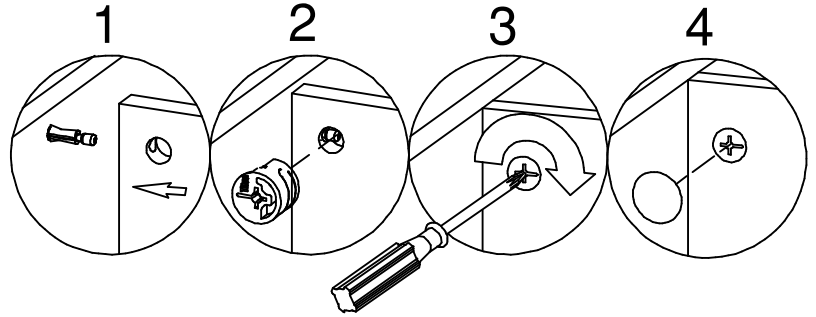
[4]

KD Cam



[4]

Cover Cap



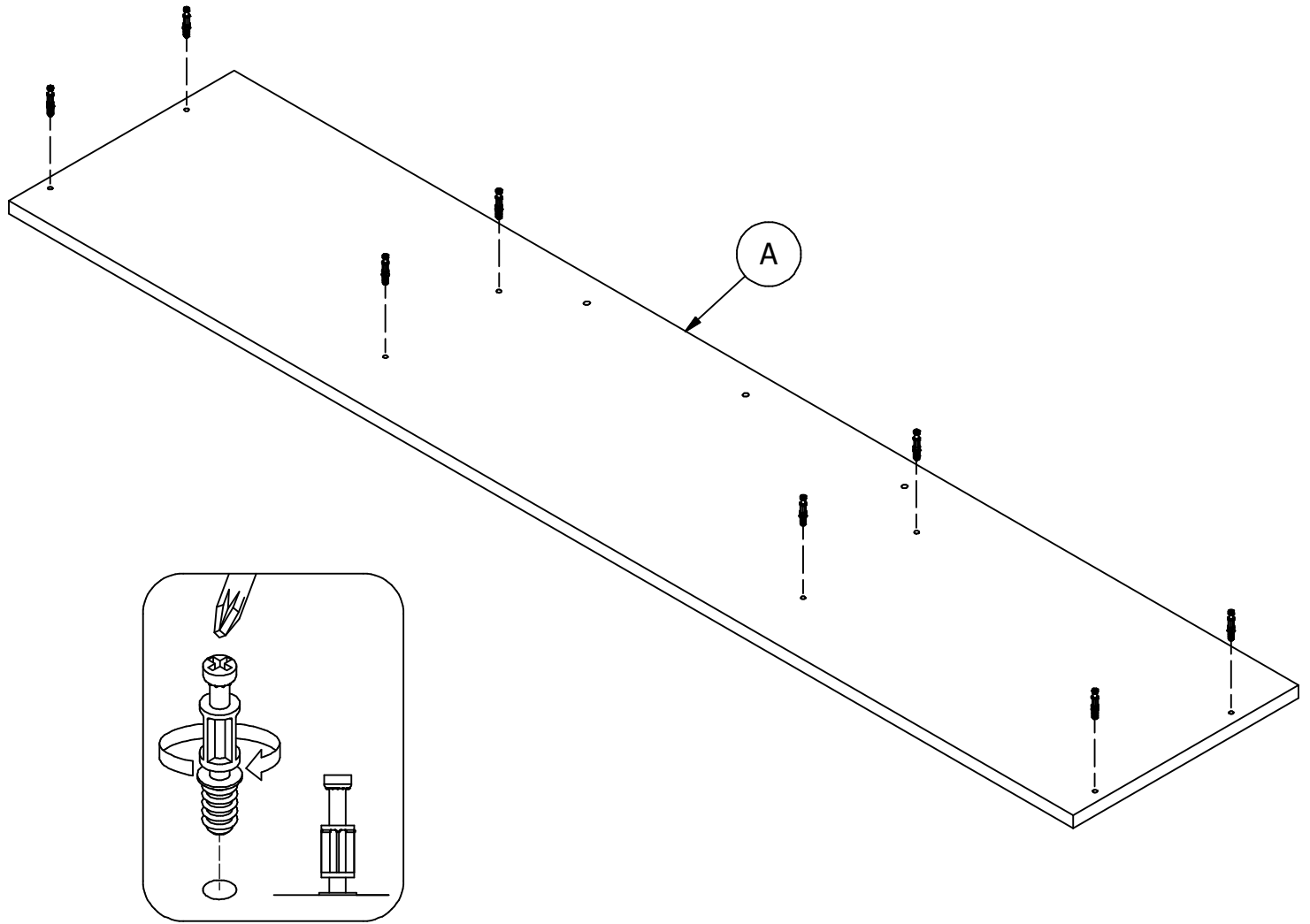
Have an assembly question or need a replacement part? Just call **1-800-950-4782**, we are here to help.

STEP 7

Prepare Panel

A177868F

H72988 [8]
KD Bolt

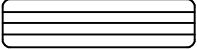


Have an assembly question or need a replacement part? Just call
1-800-950-4782, we are here to help.

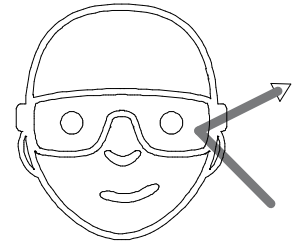
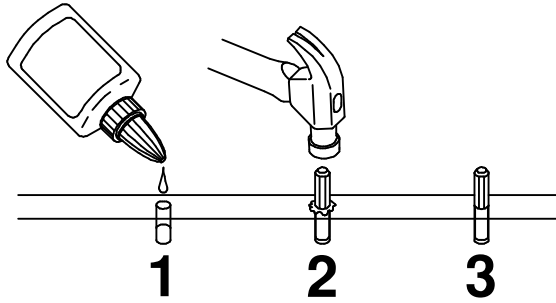
STEP 8

Prepare / Attach Rail

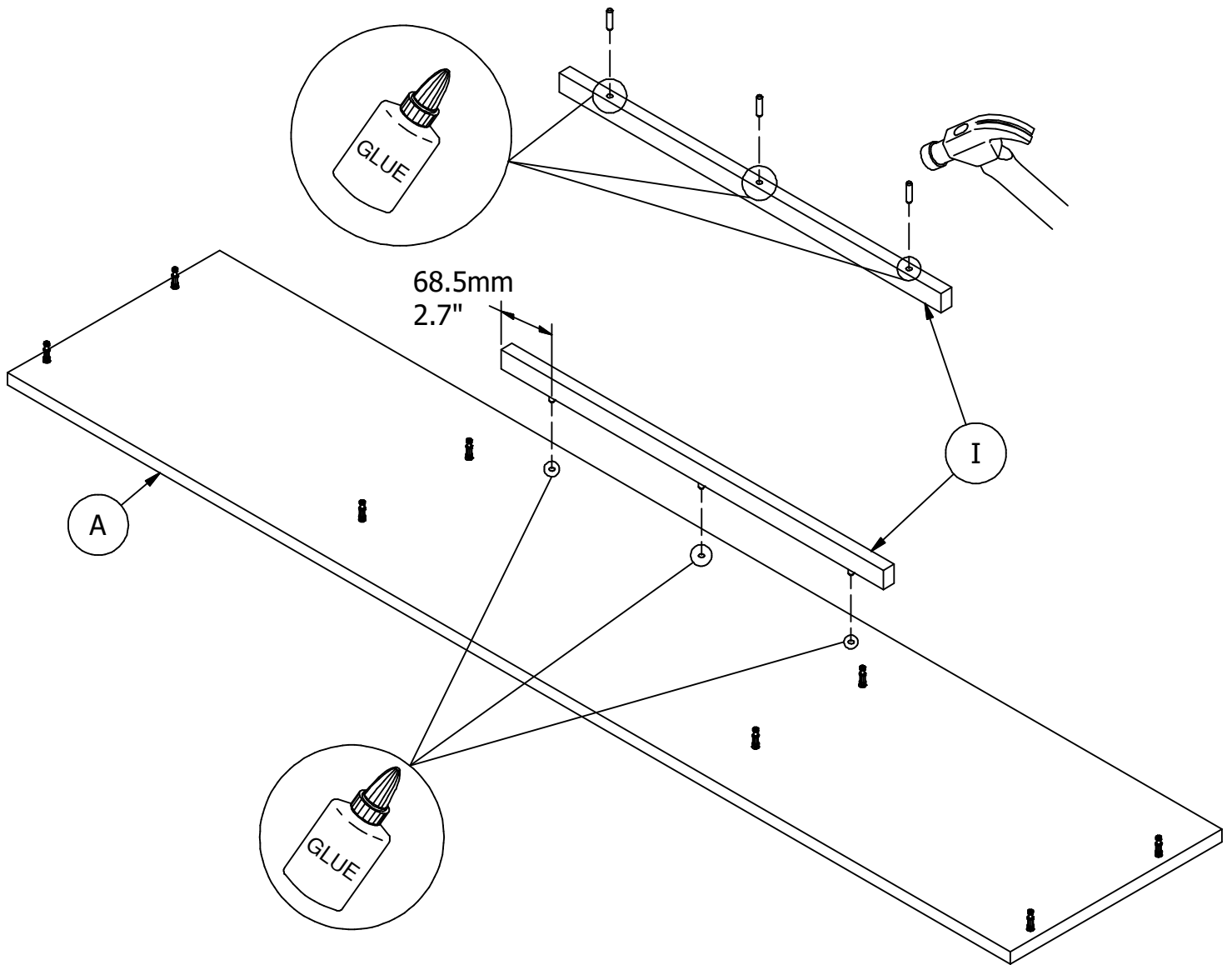
A177868F

H27771  [3]
Wood Dowel 1/4 x 1

H27145  [1]



Safety glasses
Gafas de seguridad
Lunettes de protection



Have an assembly question or need a replacement part? Just call
1-800-950-4782, we are here to help.

STEP 9

Attach Top

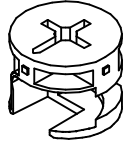
A177868F

Scan QR Code to Watch Video on:



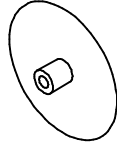
How to Tighten KD Cams

H71659



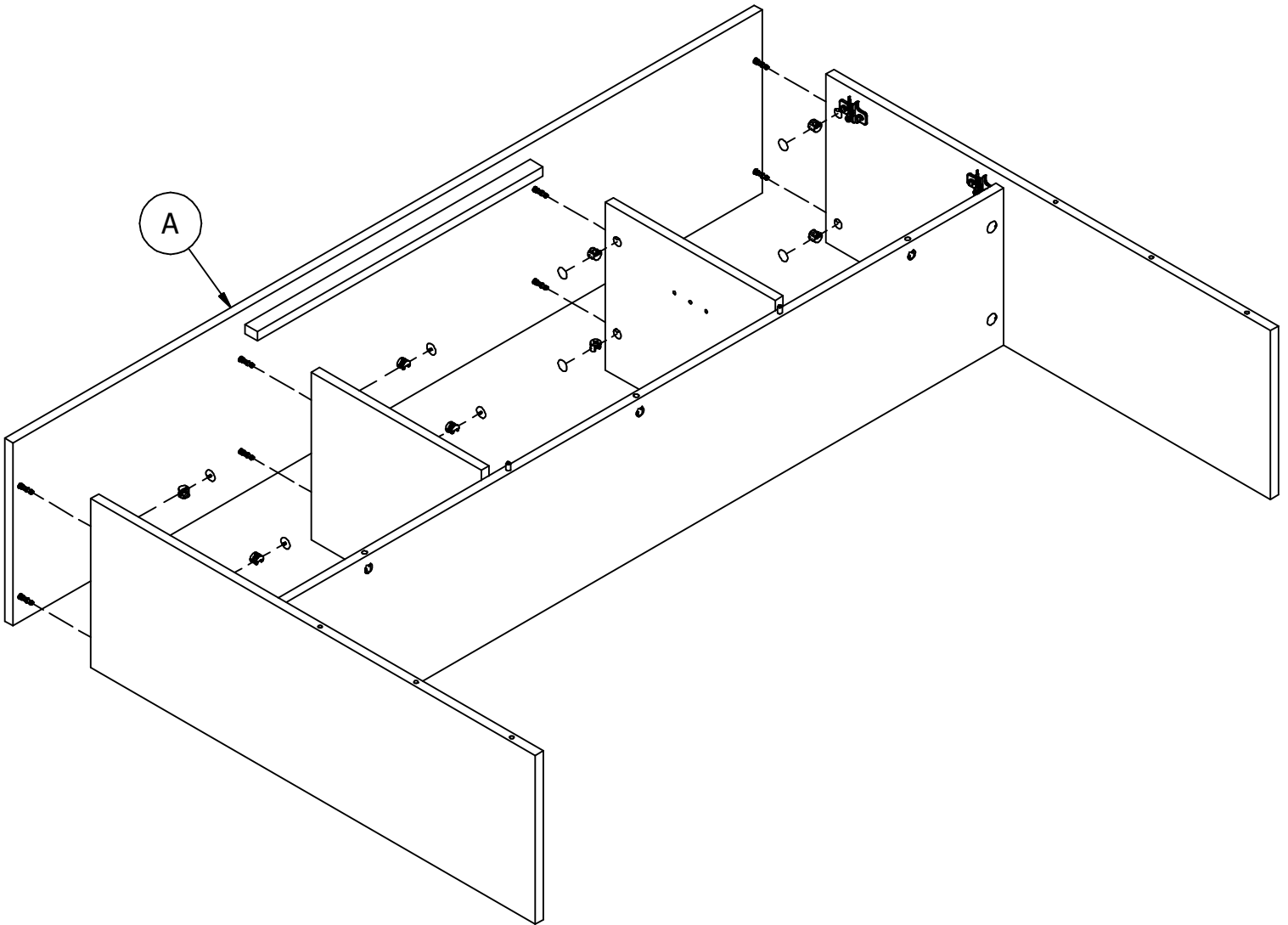
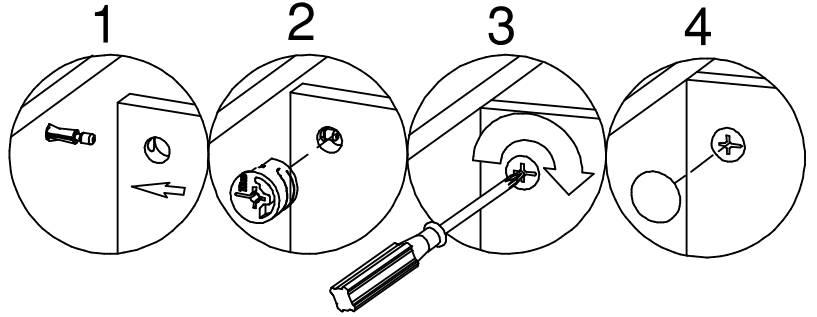
KD Cam

[8]



Cover Cap

[8]



Have an assembly question or need a replacement part? Just call **1-800-950-4782**, we are here to help.

STEP 10

Prepare / Attach Rail

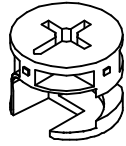
A177868F

Scan QR Code to Watch Video on:



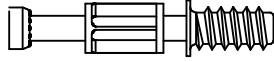
How to Tighten KD Cams

H71659 [3]

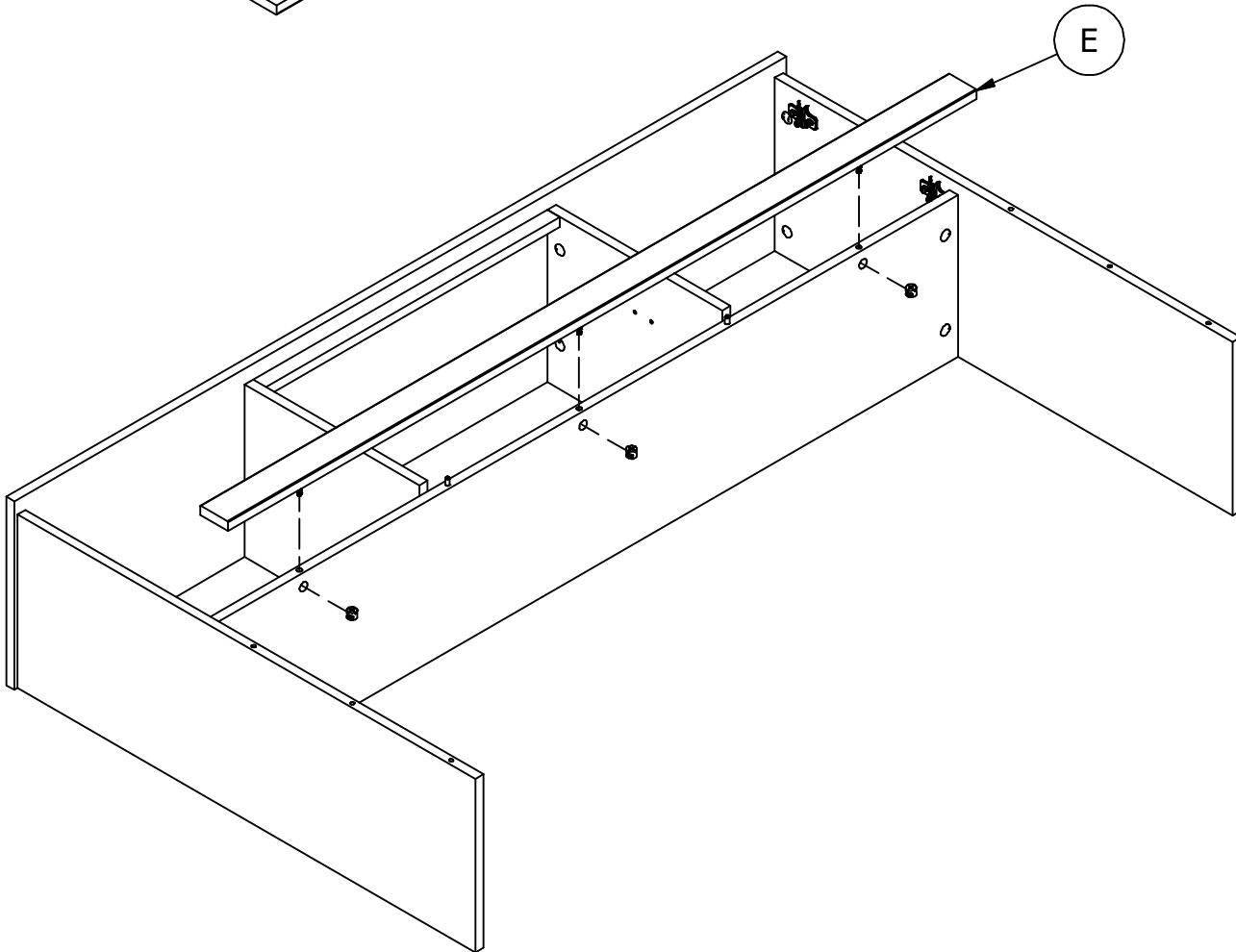
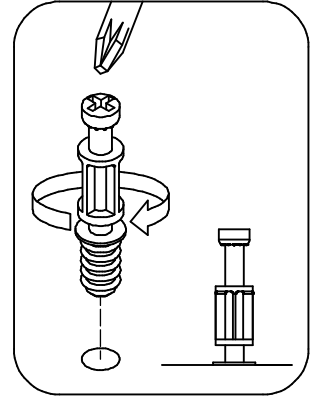
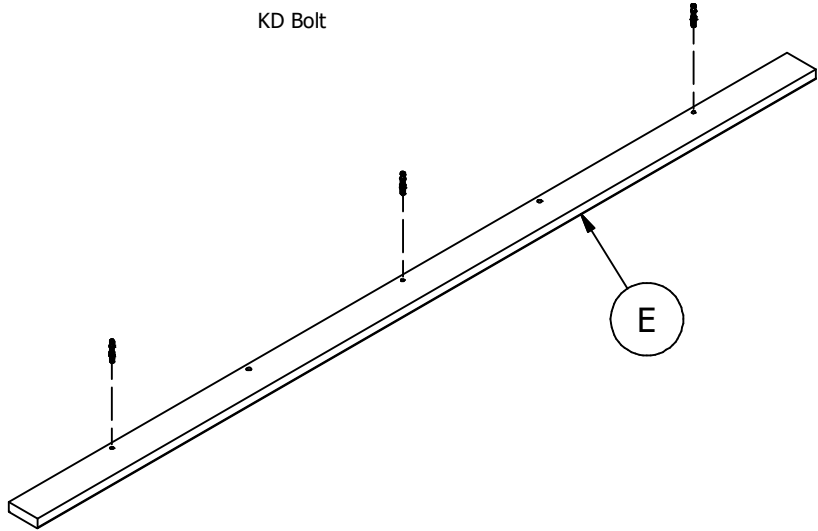
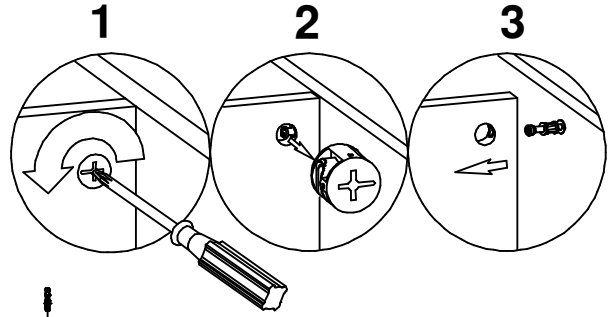


KD Cam

H72988 [3]



KD Bolt



Have an assembly question or need a replacement part? Just call **1-800-950-4782**, we are here to help.

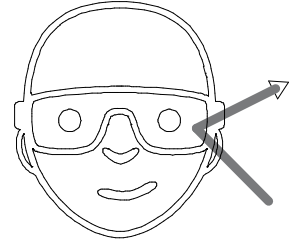
STEP 11

Attach Back Panel

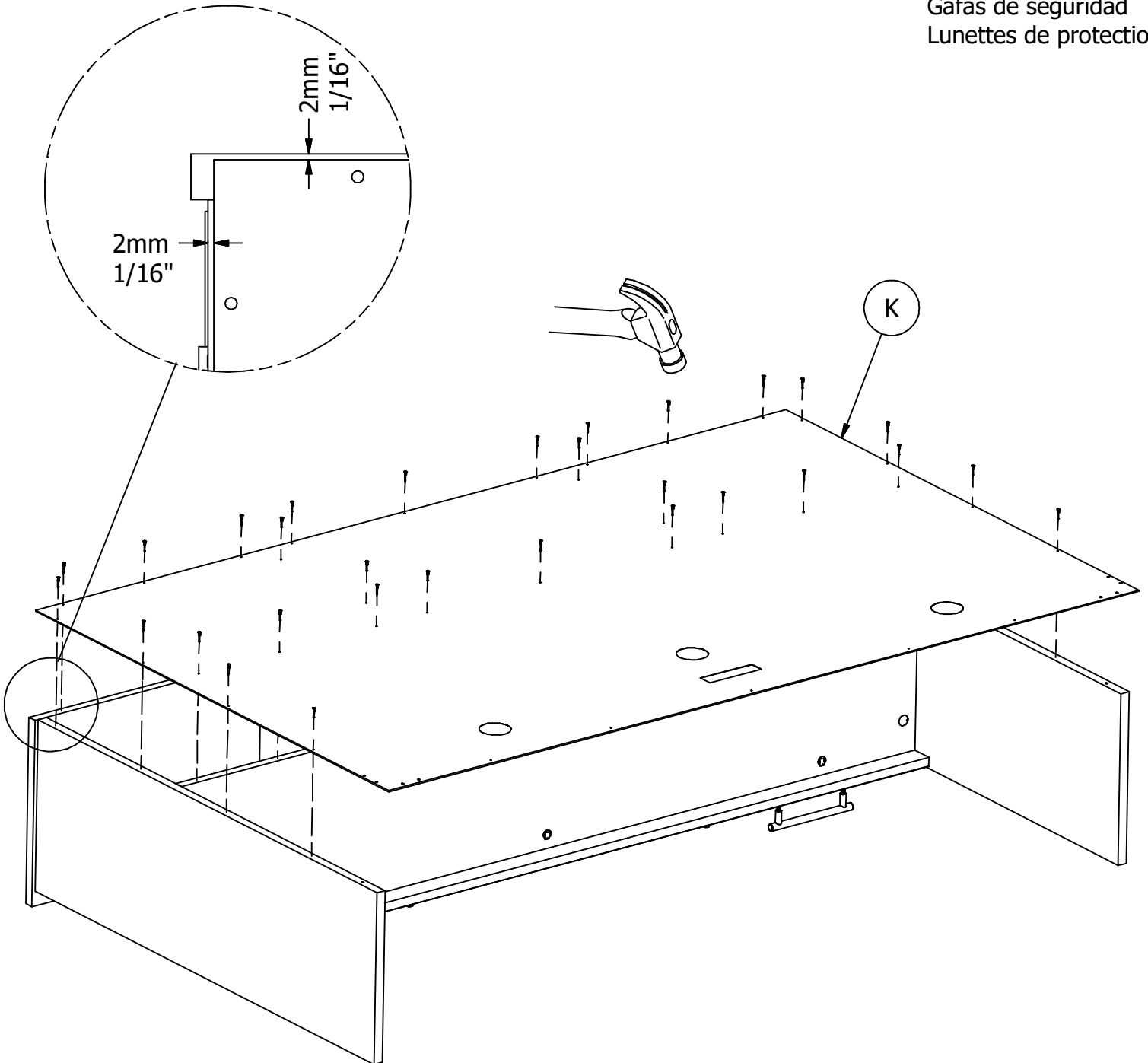
A177868F



Q85389 [30]
Nail 19mm



Safety glasses
Gafas de seguridad
Lunettes de protection

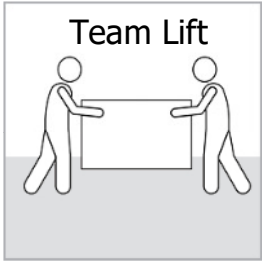


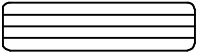
Have an assembly question or need a replacement part? Just call
1-800-950-4782, we are here to help.

STEP 12

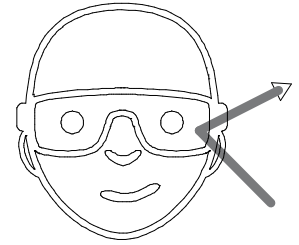
Prepare / Attach Rail

A177868F

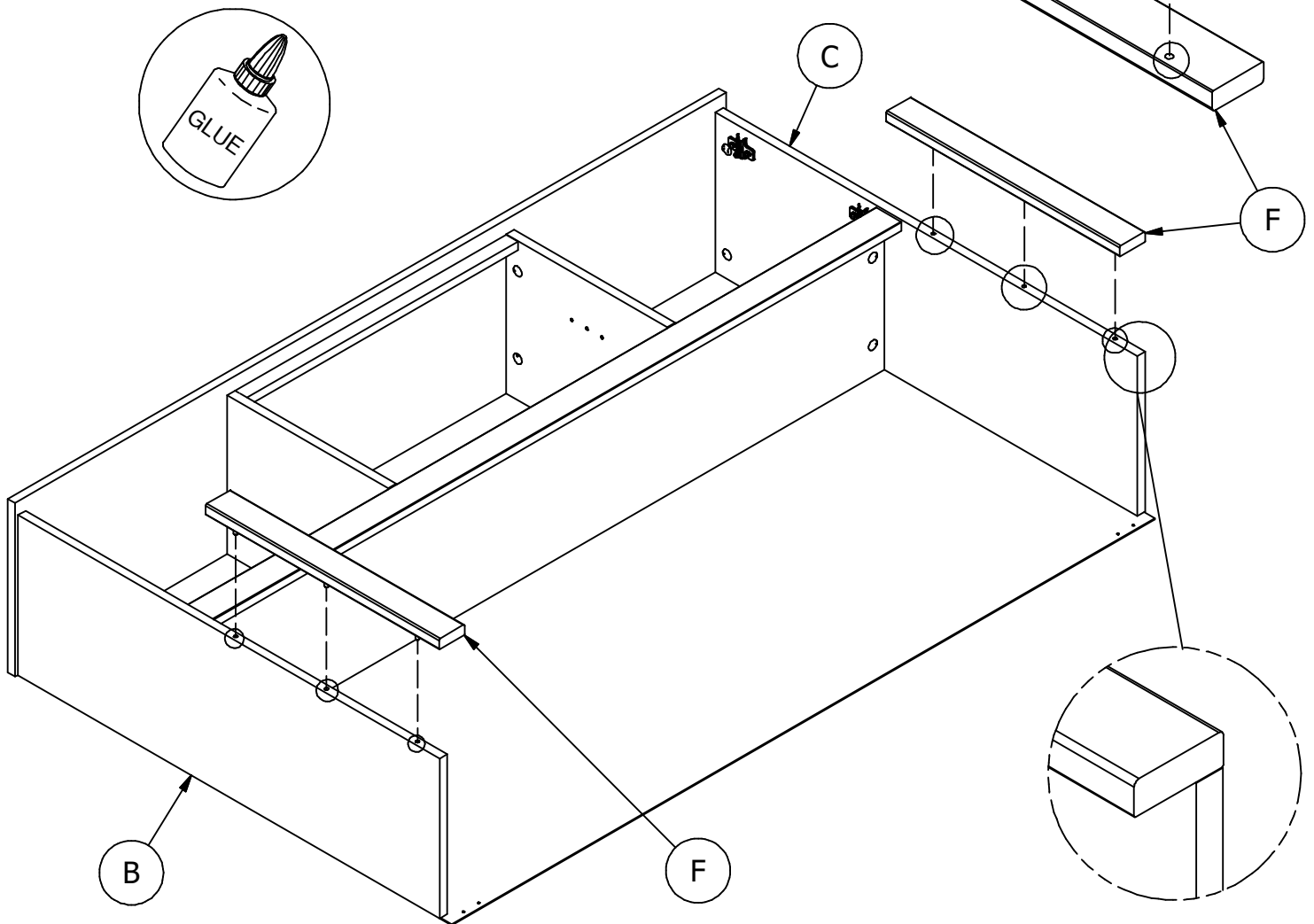
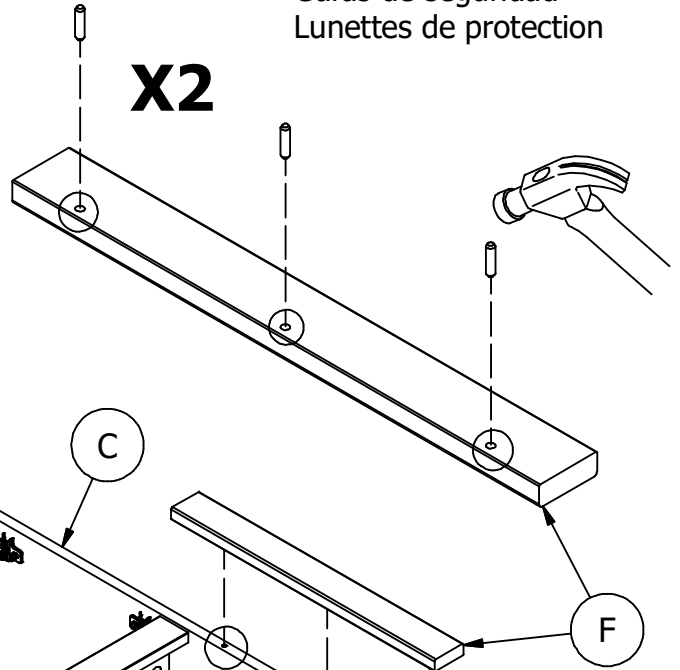
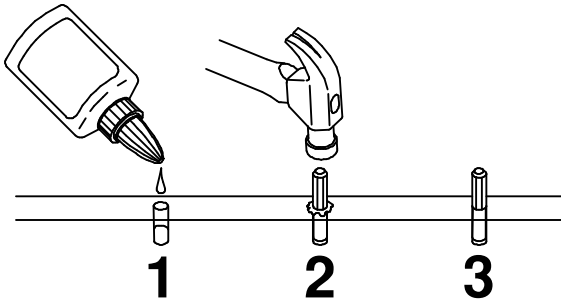


H27771  [6]
Wood Dowel 1/4 x 1

H27145  [1]
GLUE



Safety glasses
Gafas de seguridad
Lunettes de protection



Have an assembly question or need a replacement part? Just call
1-800-950-4782, we are here to help.

STEP 13

Attach Doors

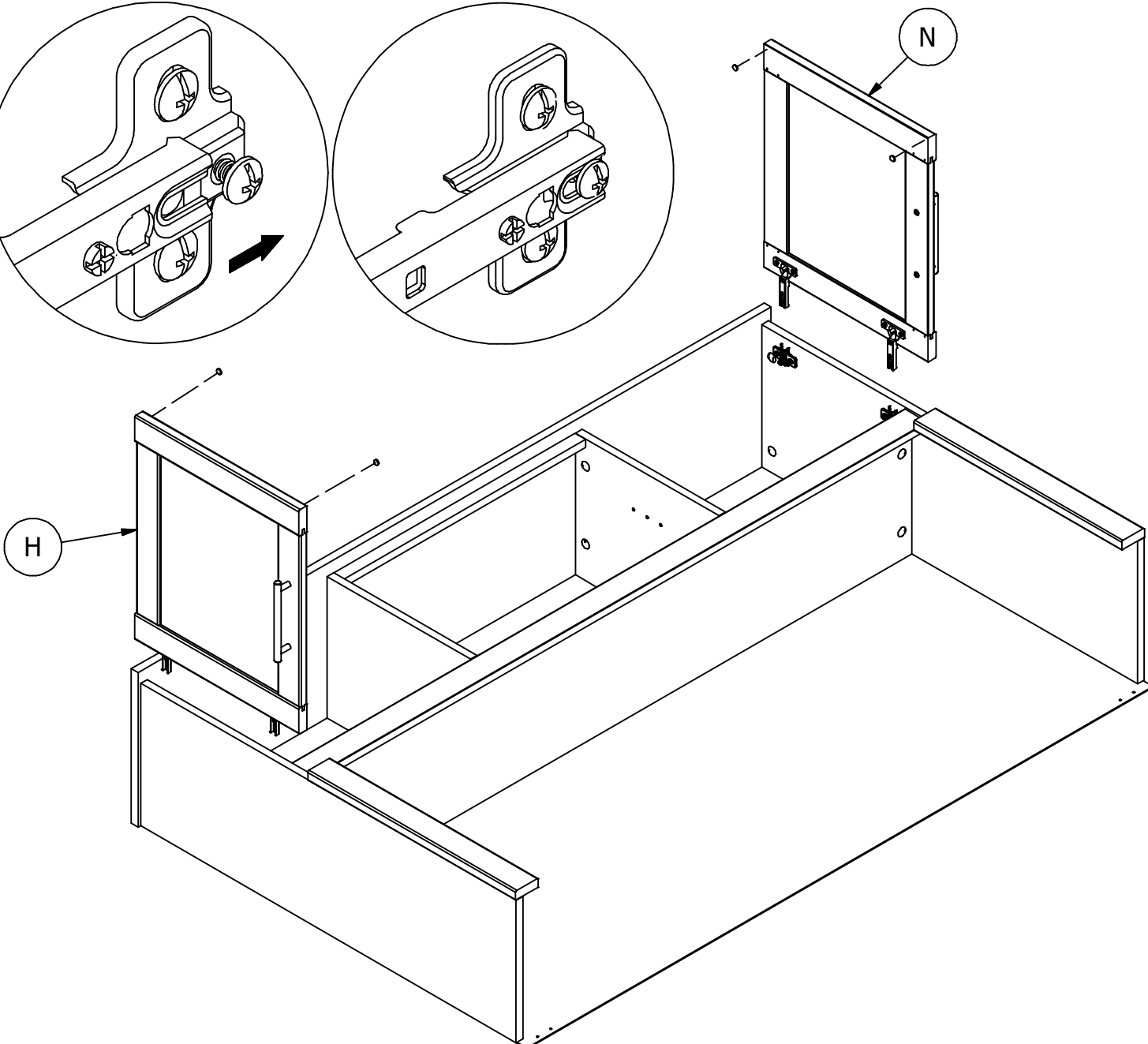
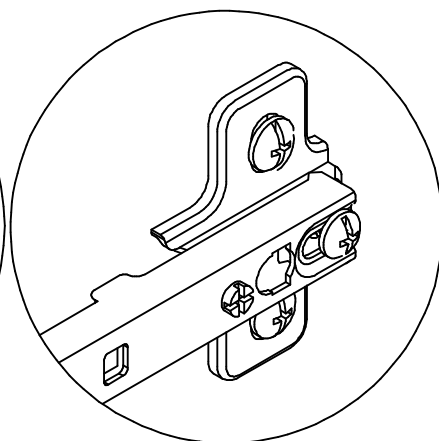
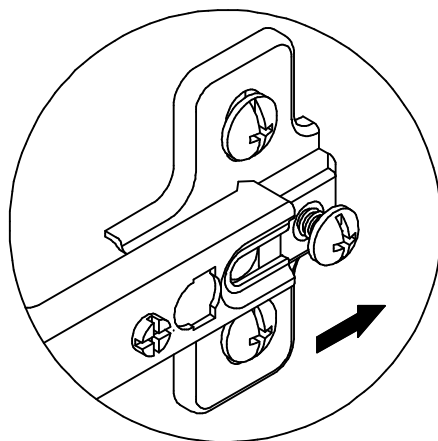
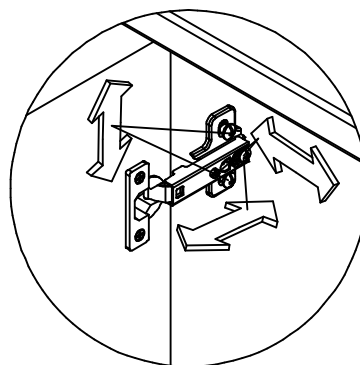
A177868F

Scan QR Code to Watch Video on:



How to Adjust Door Hinges

H77351 [4]
Bumper

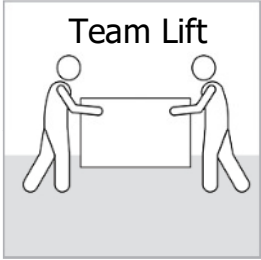



Have an assembly question or need a replacement part? Just call **1-800-950-4782**, we are here to help.

STEP 14

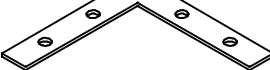
Attach Hutch

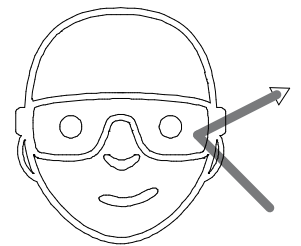
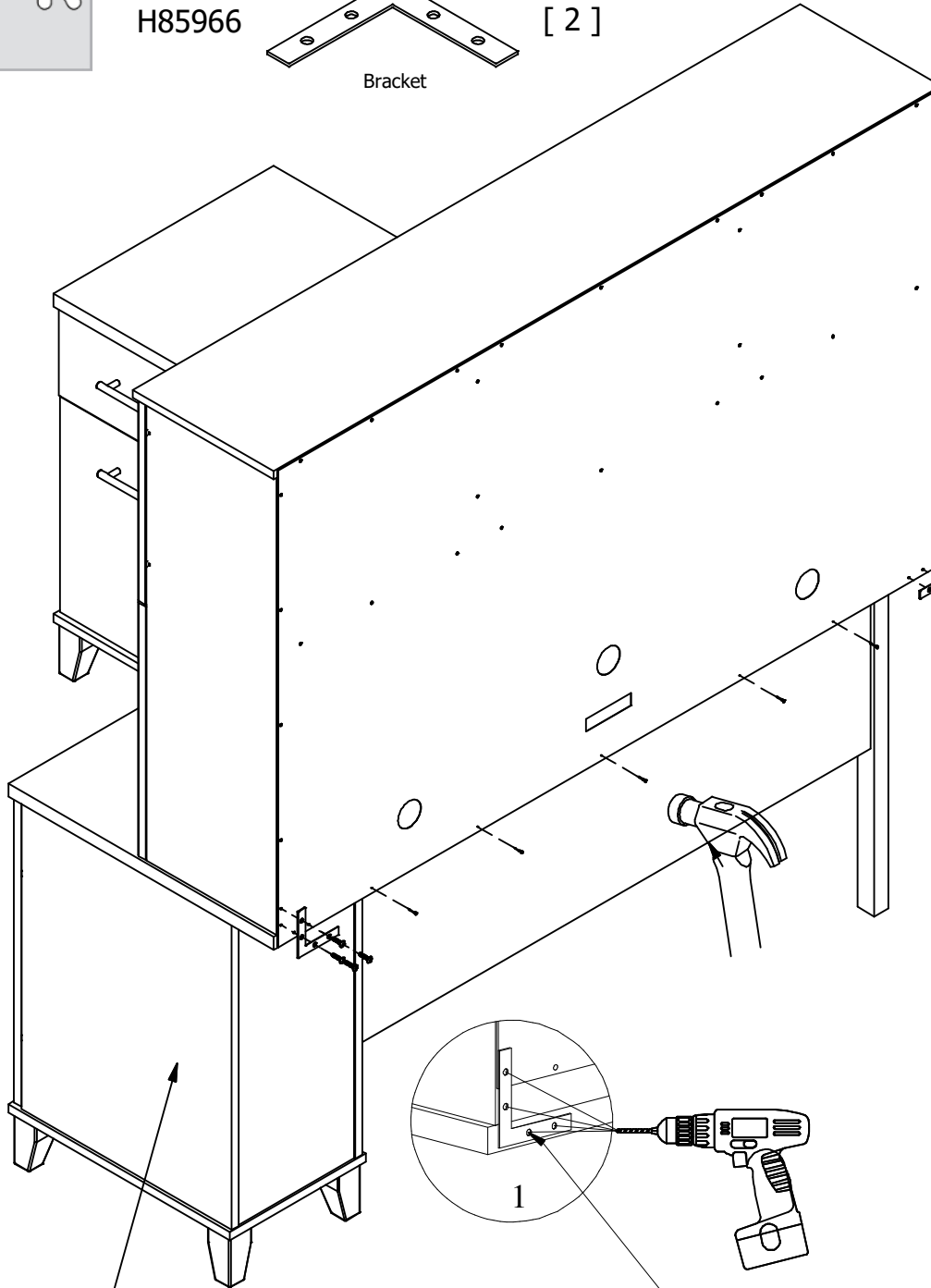
A177868F



H23682  [8]
#10 x 1"

Q85389  [5]
Nail 19mm

H85966  [2]
Bracket



Safety glasses
Gafas de seguridad
Lunettes de protection

WC81x30

Drill (8) 1/8" holes 3/4" deep.
Perfore (8) agujeros de 3mm a 19mm de profundo.
Percer (8) trous de 3mm de diamètre et 19mm de profondeur.

Have an assembly question or need a replacement part? Just call
1-800-950-4782, we are here to help.

STEP 15

Insert Adjustable Shelf

A177868F

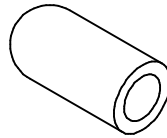
H23604



Shelf Pin

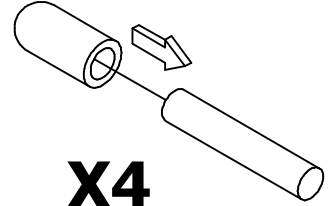
[4]

H126396

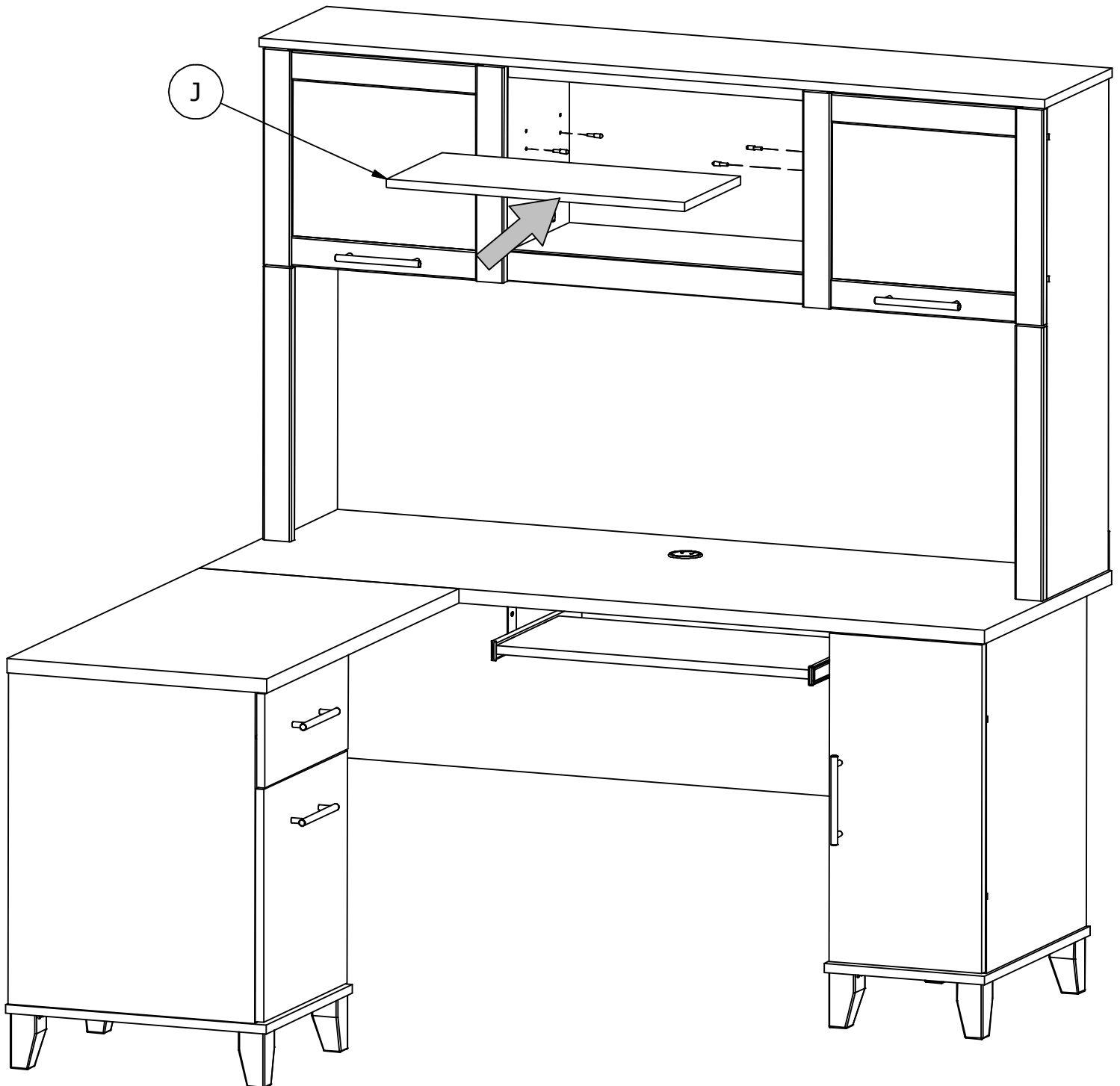


Shelf Pin Sleeve

[4]



X4



Have an assembly question or need a replacement part? Just call
1-800-950-4782, we are here to help.

Secure unit to the wall with a tip-over restraint.

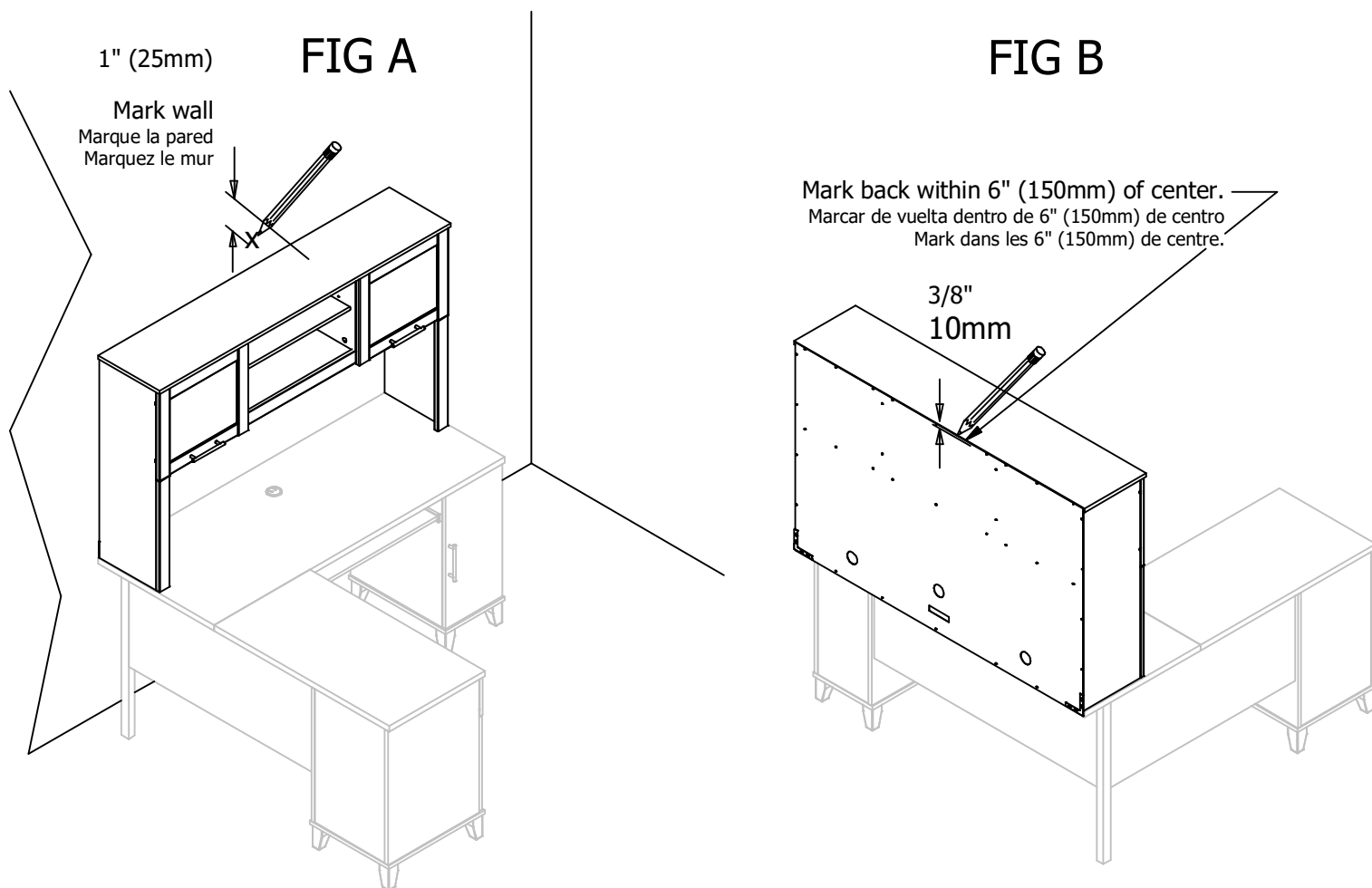
Unidad de seguro a la pared con un sistema de retención de un vuelco.

Fixer l'unité au mur avec un dispositif de retenue renversement.

1. Place unit in desired location.
2. Locate wall stud nearest unit center. **FIG A**
3. On wall, mark center of stud location 1" below top of unit. **FIG A**
4. If a wall stud cannot be located mark hollow wall at unit center. **FIG A**
5. On back of unit, mark corresponding location 3/8" below top of unit. **FIG B**

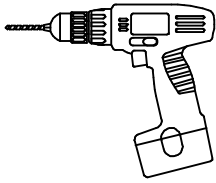
1. Coloque la unidad en el lugar deseado.
2. Localice pie derecho de pared centro de unidad más próxima.
3. En la pared del, marque el centro de la ubicación del montante 1 "abajo la parte superior de la unidad.
4. Si un poste de la pared no se puede localizar marcar pared hueca en el centro de la unidad.
5. En el dorso de la unidad, marque la ubicación 3/8 correspondiente abajo la parte superior de la unidad.

1. Placez l'unité à l'endroit désiré.
2. Localiser centre d'unité la plus proche de la paroi Stud.
3. Sur le mur, centre de emplacement du montant 1 "ci-dessous dessus de l'appareil de la marque.
4. Si un montant de mur ne peut pas être situé marquer mur creux au centre de l'unité.
5. Le dos de l'appareil, marquer l'emplacement 3/8 correspondant ci-dessous dessus de l'appareil.



Have an assembly question or need a replacement part? Just call
1-800-950-4782, we are here to help.

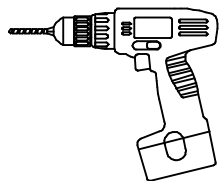
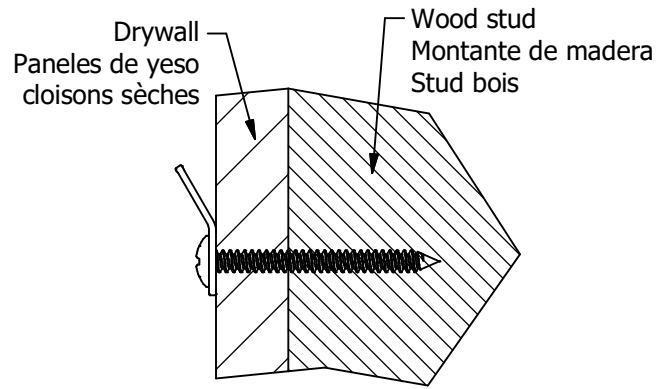
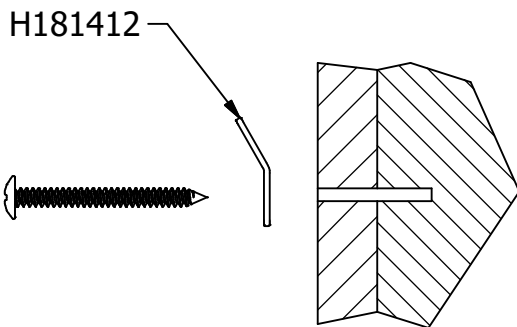
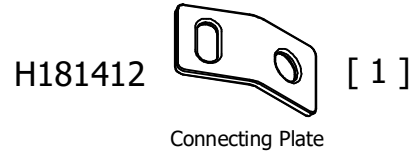
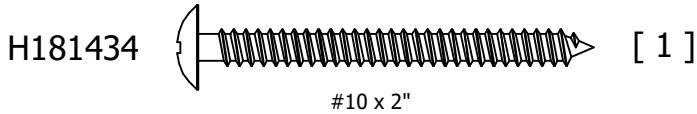
WALL STUD ATTACHMENT



Drill 1/8" hole 2" deep at mark on wall.

Taladro 1/8 "agujero 2" de profundidad en la marca en la pared.

Percer 1/8 "trou de 2" de profondeur à la marque sur le mur.

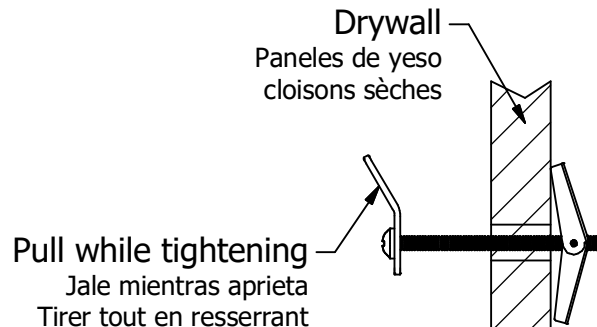
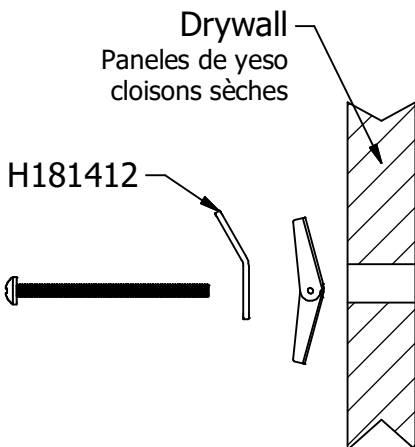
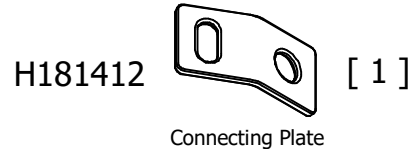
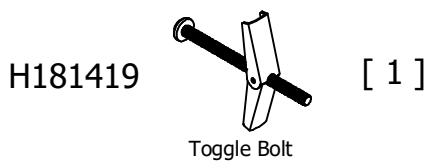


HOLLOW WALL ATTACHMENT

Drill 1/2" hole 1" deep at mark on wall.

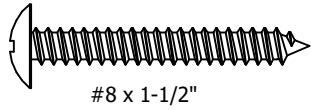
Taladro 1/2 "agujero 1" de profundidad en la marca en la pared.

Percer 1/2 "trou de 1" de profondeur à la marque sur le mur.



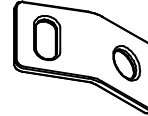
Have an assembly question or need a replacement part? Just call
1-800-950-4782, we are here to help.

H107572



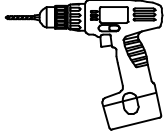
[1]

H181412

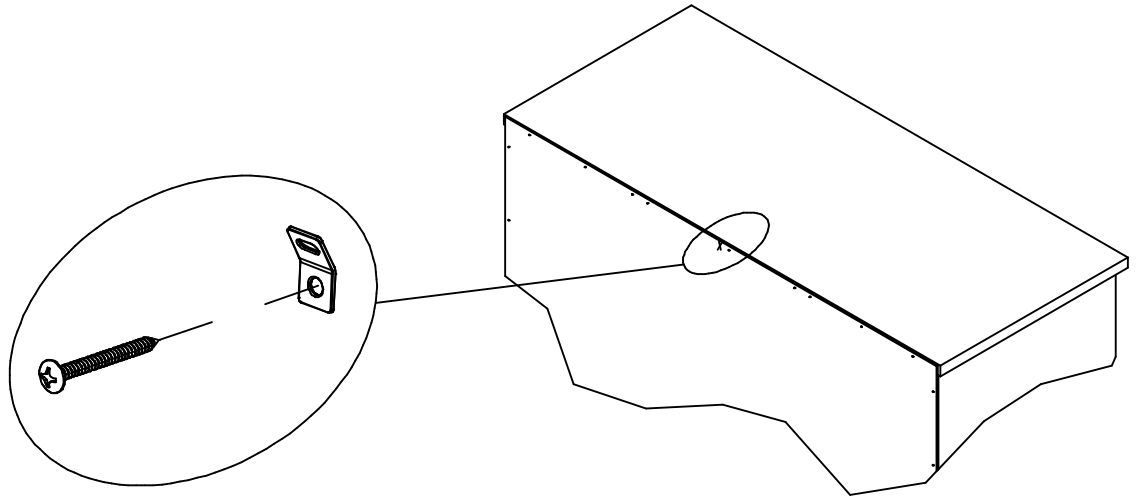


[1]

Connecting Plate



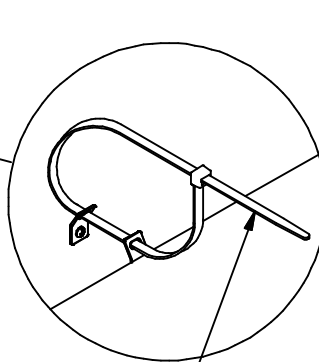
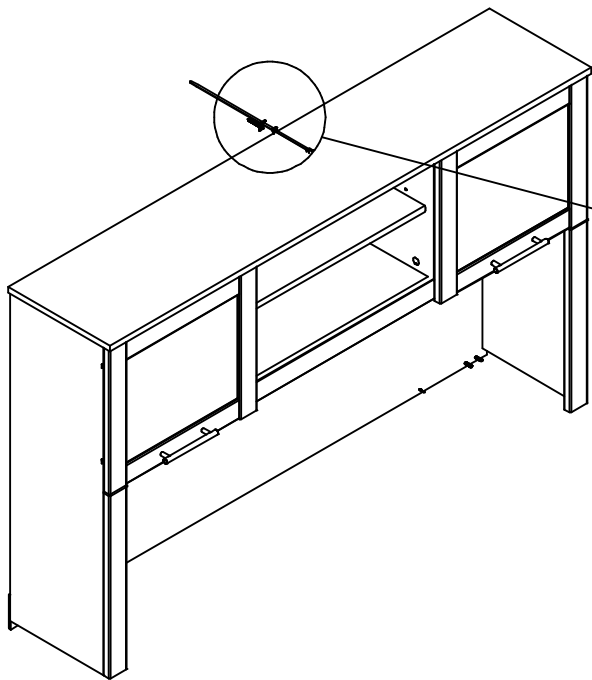
Drill 1/8" hole 1" deep at mark on unit.
Taladro 1/8 "agujero de 1" de profundidad en la marca de la unidad.
Perçer 1/8 "trou 1" de profondeur à la marque sur l'unité.



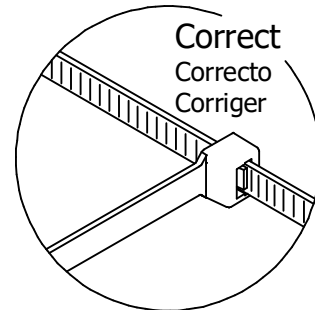
H181411

Nylon Cable Tie

[1]



Pull to verify lock
Tire para verificar cerradura
Tirez pour vérifier serrure



Use replacement cable tie with minimum breaking strength of 120lbs.
Utilice reemplazo empate Cable con resistencia a la rotura mínima de 120 libras.
Utilisez remplacement Attache de câble avec une force de rupture minimale de 120 lbs.

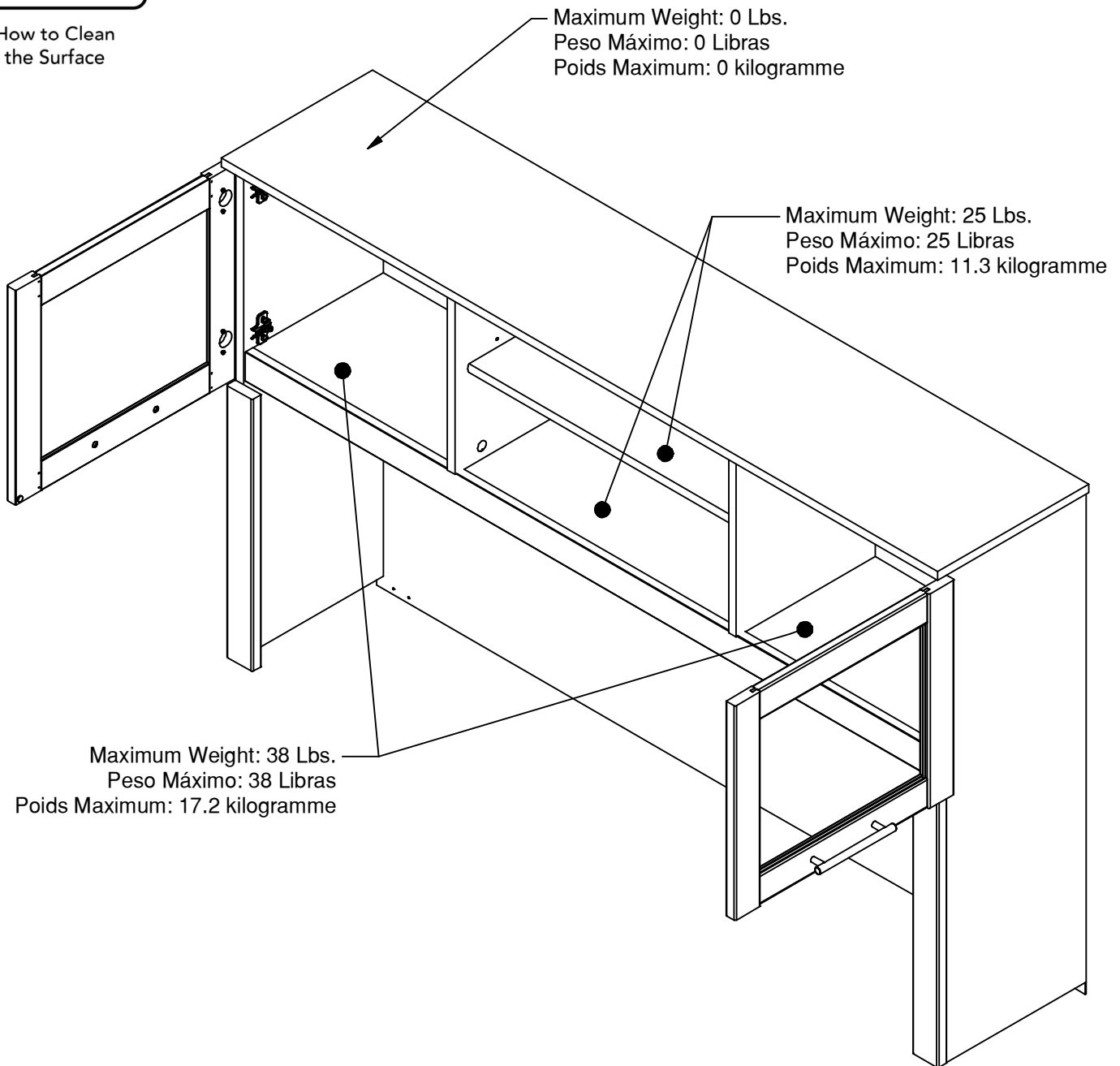
Have an assembly question or need a replacement part? Just call
1-800-950-4782, we are here to help.

Scan QR Code to Watch Video on:



How to Clean the Surface

Gently clean surfaces with a damp sponge eraser.

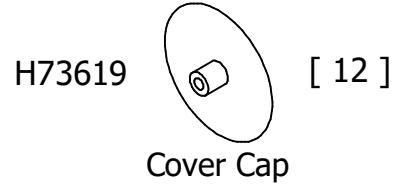
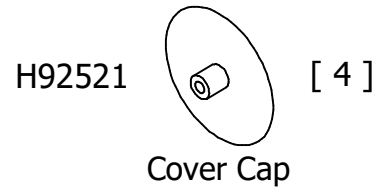
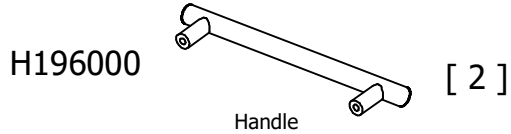


Congratulations! You are all done. If you have any questions or concerns, please call.

Have an assembly question or need a replacement part? Just call **1-800-950-4782**, we are here to help.

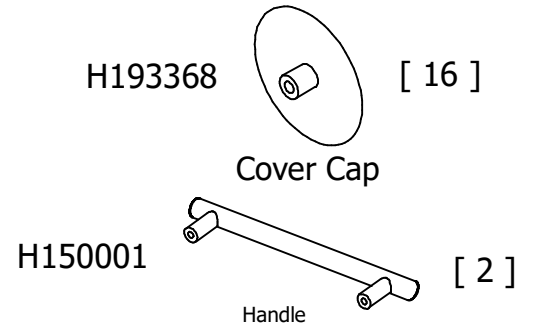
WC81031

- | | |
|---------------|---------------|
| A [1] W196087 | G [2] W196092 |
| B [1] W196088 | H [1] S196062 |
| C [1] W196089 | I [1] W196093 |
| D [1] W193887 | J [1] W193893 |
| E [1] W196091 | K [1] W193894 |
| F [2] W196061 | N [1] S196063 |



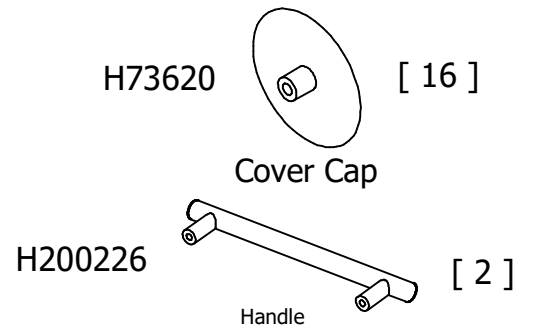
WC81131

- | | |
|---------------|---------------|
| A [1] W200499 | G [2] W200504 |
| B [1] W200500 | H [1] S200474 |
| C [1] W200501 | I [1] W200505 |
| D [1] W200502 | J [1] W200506 |
| E [1] W200503 | K [1] W200507 |
| F [2] W200473 | N [1] S200475 |



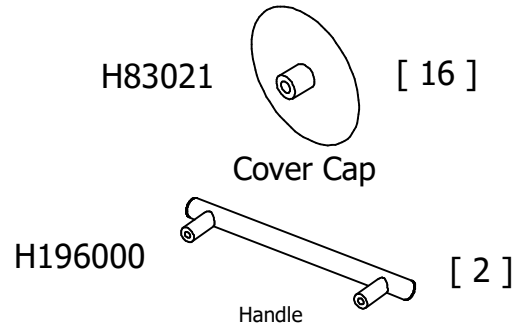
WC81331

- | | |
|---------------|---------------|
| A [1] W200405 | G [2] W200410 |
| B [1] W200406 | H [1] S200380 |
| C [1] W200407 | I [1] W200411 |
| D [1] W200408 | J [1] W200412 |
| E [1] W200409 | K [1] W200413 |
| F [2] W200379 | N [1] S200381 |



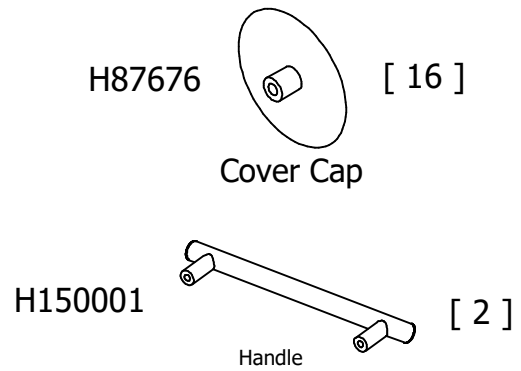
WC81231

A [1] W195880	G [2] W195885
B [1] W195881	H [1] S195855
C [1] W195882	I [1] W195886
D [1] W195883	J [1] W195887
E [1] W195884	K [1] W195888
F [2] W195854	N [1] S195856



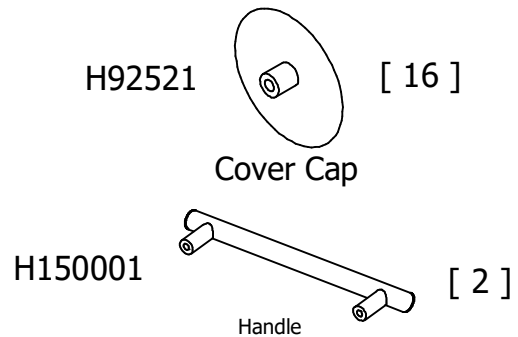
WC81431

A [1] W126802	G [2] W126807
B [1] W126803	H [1] S156277
C [1] W126804	I [1] W126809
D [1] W126805	J [1] W126810
E [1] W126806	K [1] W177869
F [2] W103082	N [1] S156278



WC81531

A [1] W193884	G [2] W193890
B [1] W193885	H [1] S193891
C [1] W193886	I [1] W193892
D [1] W193887	J [1] W193893
E [1] W193888	K [1] W193894
F [2] W193889	N [1] S193895

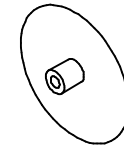


Have an assembly question or need a replacement part? Just call
1-800-950-4782, we are here to help.

WC81631

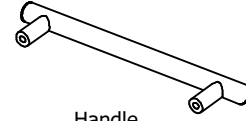
A [1] W189134	G [2] W189140
B [1] W189135	H [1] S189141
C [1] W189136	I [1] W189142
D [1] W189137	J [1] W189143
E [1] W189138	K [1] W189144
F [2] W189139	N [1] S189145

H83021 [16]



Cover Cap

H150001 [2]

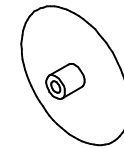


Handle

WC81731

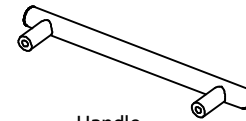
A [1] W145314	G [2] W145319
B [1] W145315	H [1] S156279
C [1] W145316	I [1] W145320
D [1] W145317	J [1] W145321
E [1] W145318	K [1] W177870
F [2] W145248	N [1] S156280

H95137 [16]



Cover Cap

H150001 [2]

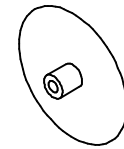


Handle

WC81831

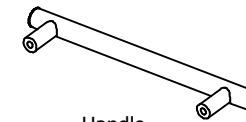
A [1] W177575	G [2] W177580
B [1] W177576	H [1] S177512
C [1] W177577	I [1] W177581
D [1] W177578	J [1] W177582
E [1] W177579	K [1] W177871
F [2] W177514	N [1] S177513

H73621 [16]



Cover Cap

H150001 [2]

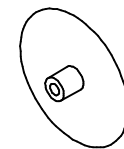


Handle

WC81931

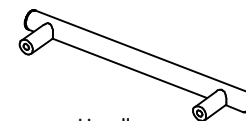
A [1] W196087	G [2] W196092
B [1] W196088	H [1] S196062
C [1] W196089	I [1] W196093
D [1] W196090	J [1] W196094
E [1] W196091	K [1] W196095
F [2] W196061	N [1] S196063

H73619 [16]



Cover Cap

H196000 [2]



Handle

Have an assembly question or need a replacement part? Just call
1-800-950-4782, we are here to help.