




ASSEMBLY INSTRUCTIONS

Description: Knowlton Coffee Table

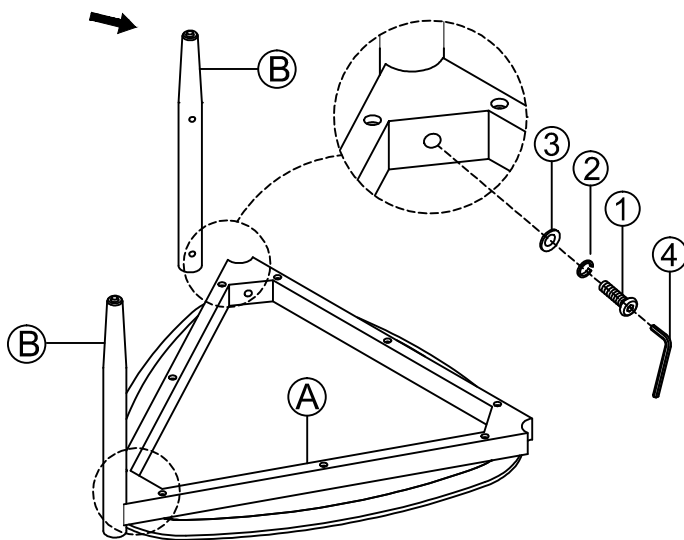
Parts required

NO	Drawing	Description	Q'TY
1		Bolt $\varnothing 1/4'' \times 64\text{mm}$	6PCS
2		Lock Washer $\varnothing 1/4''$	6PCS
3		Flat Washer $\varnothing 1/4'' \times 16\text{mm}$	6PCS
4		Allen Key 4mm	1PC

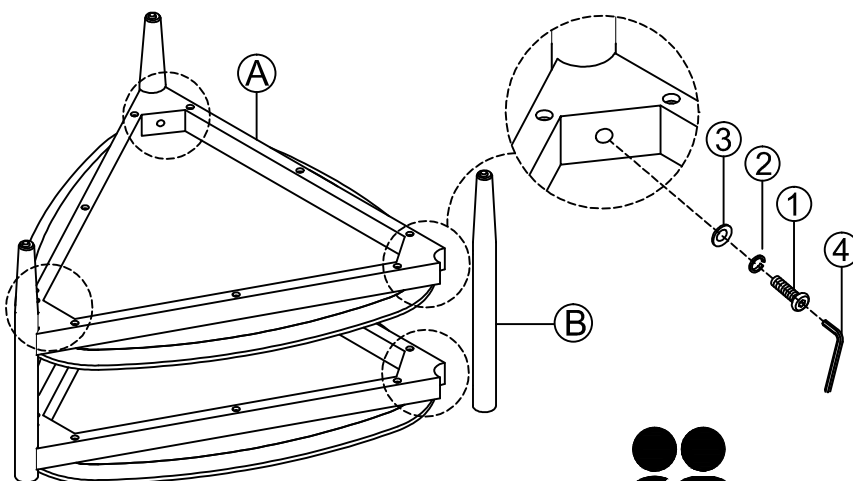
NO	Description	Q'TY
A		2 PCS
B		3 PCS

Do not tighten screws completely until final step.
 Ne serrez pas les vis complètement avant la dernière étape.
 No ajuste los tornillos a fondo hasta el paso final.

1.



2.



Two people required to assemble

3.

