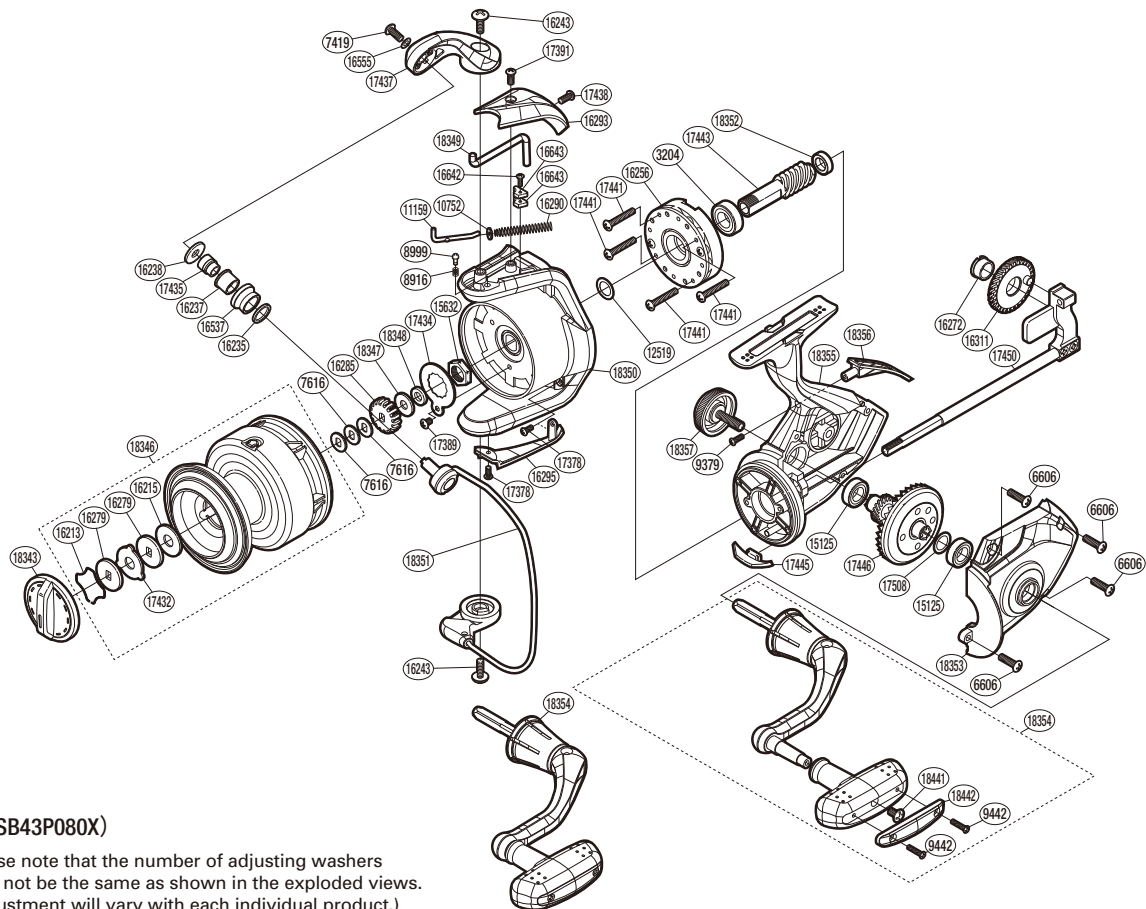


SHIMANO

SEDONA

SE-8000



(51SB43P080X)

Please note that the number of adjusting washers may not be the same as shown in the exploded views. (Adjustment will vary with each individual product.)

Part No.	Description	Part No.	Description	Part No.	Description
RD 3204	Ball Bearing	RD16272	Oscillating Gear Bushing	RD17443	Pinion Gear
RD 6606	Screw	RD16279	Key Washer	RD17445	Bail Trip Strike
RD 7419	Screw	RD16285	Spool Support A	RD17446	Drive Gear Assembly
RD 7616	Spool Washer	RD16290	Bail Spring	RD17450	Main Shaft Assembly
RD 8916	Click Spring	RD16293	Bail Spring Cover	RD17508	Washer
RD 8999	Click Pin	RD16295	Bail Hold Support Guard	RD18343	Drag Knob Assembly
RD 9379	Screw	RD16311	Oscillating Gear	RD18346	Spool Assembly
RD 9442	Screw	RD16537	Line Roller	RD18347	Washer
RD10752	Bail Spring Guide A Support	RD16555	Counter Weight	RD18348	Washer
RD11159	Bail Spring Guide A	RD16642	Screw	RD18349	Bail Trip Lever
RD12519	Rotor Washer	RD16643	Counter Weight B	RD18350	Rotor
RD15125	Ball Bearing	RD17378	Screw	RD18351	Bail Assembly
RD15632	Rotor Nut	RD17389	Screw	RD18352	Pinion Gear Bushing
RD16213	Drag Washers Retainer	RD17391	Screw	RD18353	Side Cover
RD16215	Drag Washer	RD17432	Eared Washer	RD18354	Handle Assembly
RD16235	Line Roller Spacer	RD17434	Rotor Nut Retainer	RD18355	Body Assembly
RD16237	Line Roller Bushing	RD17435	Line Roller Collar	RD18356	Body I.D. Plate
RD16238	Line Roller Washer	RD17437	Bail Arm	RD18357	Handle Screw Cap Assembly
RD16243	Screw	RD17438	Screw	RD18441	Screw
RD16256	Roller Clutch Assembly	RD17441	Screw	RD18442	Handle Knob I.D. Plate