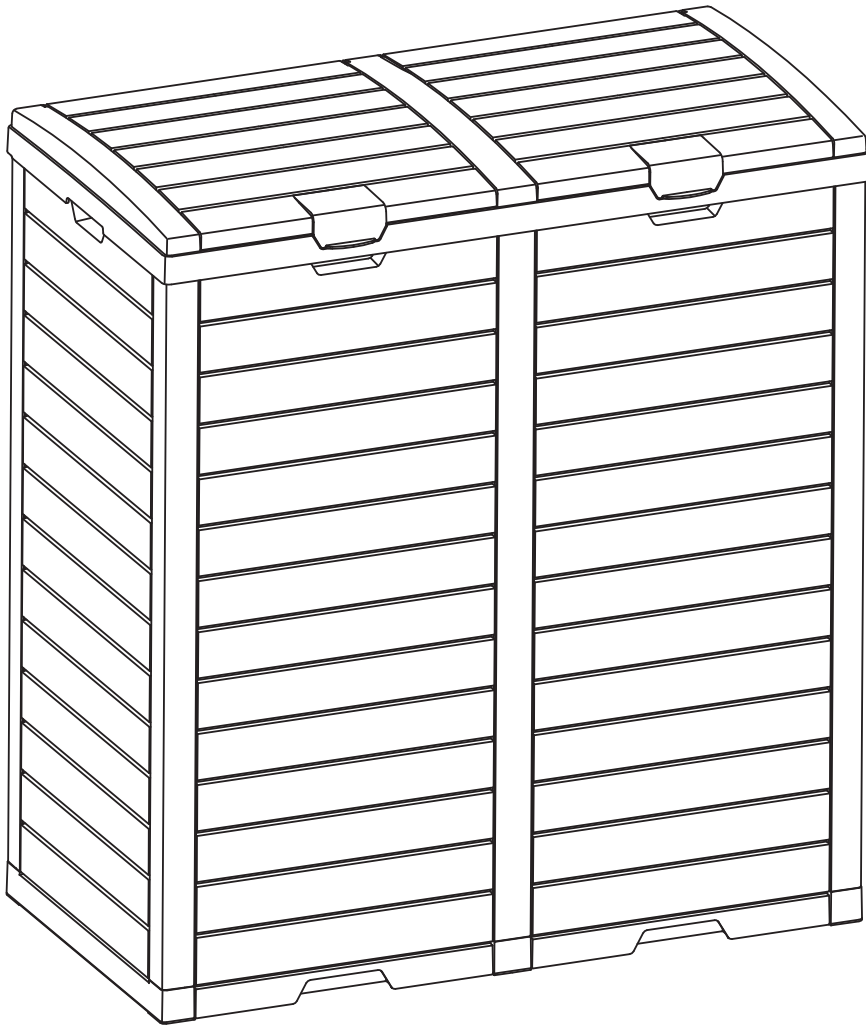







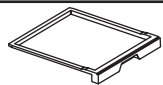

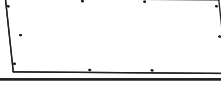
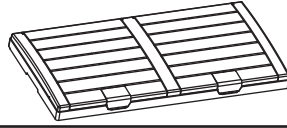



Thank you for choosing Sunnydaze Decor. We stand behind our brand and the quality of the items we sell. Replacement parts or products will be sent at our discretion within the 1-year warranty period. Proof of purchase, with the date of purchase as well as photos of the merchandise defect, must be provided. Photos are used to determine the cause of defects and for future quality control. Register your warranty at <https://tiny.cc/SunnydazeWarranty>. If you have any questions, comments or concerns, feel free to contact us by phone at 833-982-1977, by email: customerservice@sunnydazedecor.com, or via our contact us page at <https://tiny.cc/SunnydazeContact>

RESIN DOUBLE TRASH STORAGE BIN TST-776

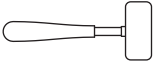
Review all assembly and care information before using this product. Save this manual for future reference.
Assemble components on a soft, clean surface to avoid damaging the finish.



 Inspect packaging to ensure all parts are accounted for before disposing of packing materials.
 Save the packing slip.

No.	PARTS	QTY.
A	 Left Panel	2
GA	 Right Panel	2
B	 Back Panel	2
C	 Tray	2
D1	 Bottom Panel	1
E	 Liner Panel	6
JK	 Lid	1
M	 Long Connector	2
P	 Short Connector	1
Z	 Plug	60

RECOMMENDED TOOLS (not included)

 Rubber Mallet

WARNING:

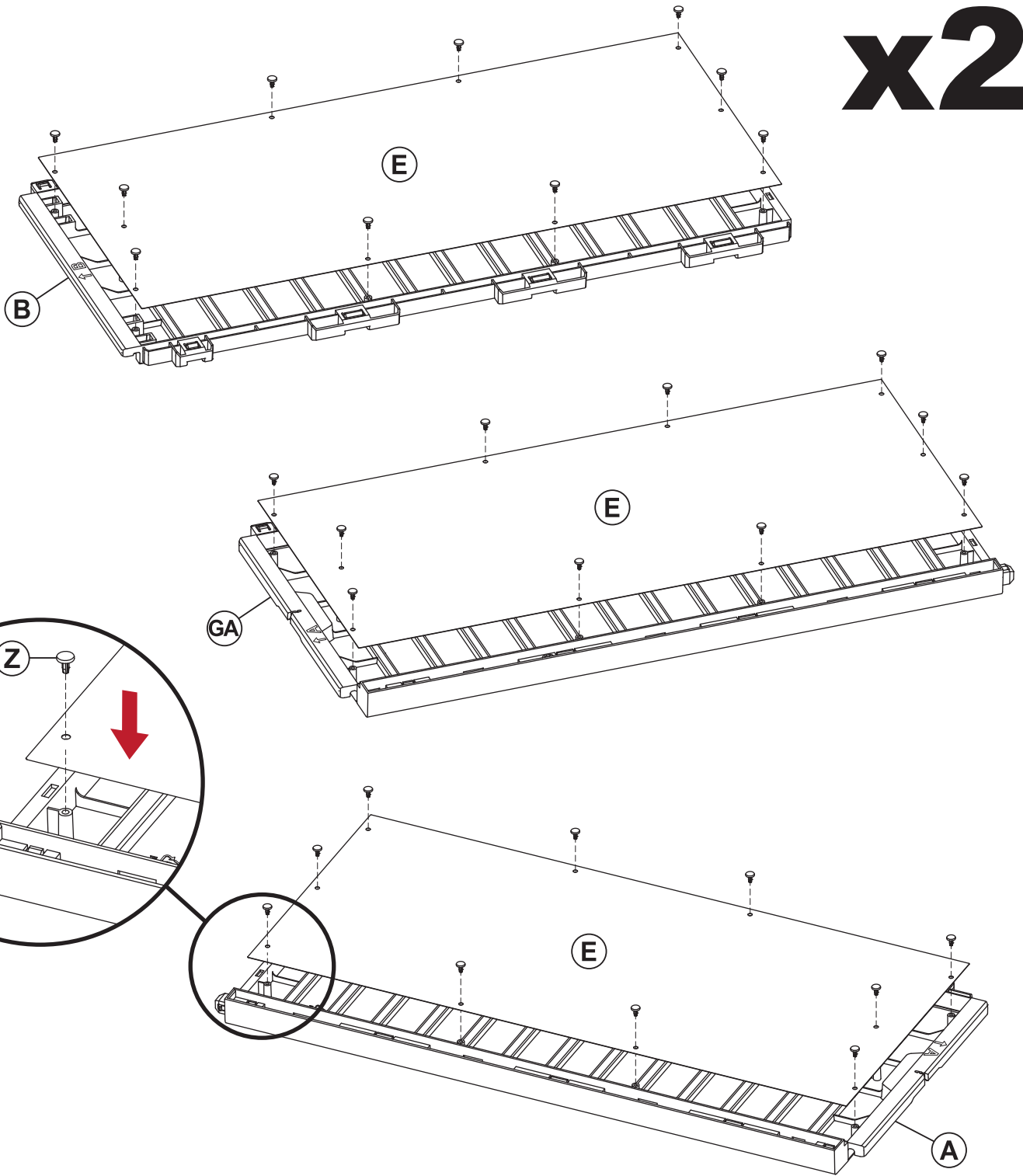
Manufacturer and seller expressly disclaim any and all liability from personal injury, property damage or loss, whether direct or indirect, or incidental, resulting from the incorrect attachment, improper use, inadequate maintenance, or neglect of this product.

ASSEMBLY

STEP 1

- A: 2
- GA: 2
- B: 2
- E: 6
- Z: 60

x2



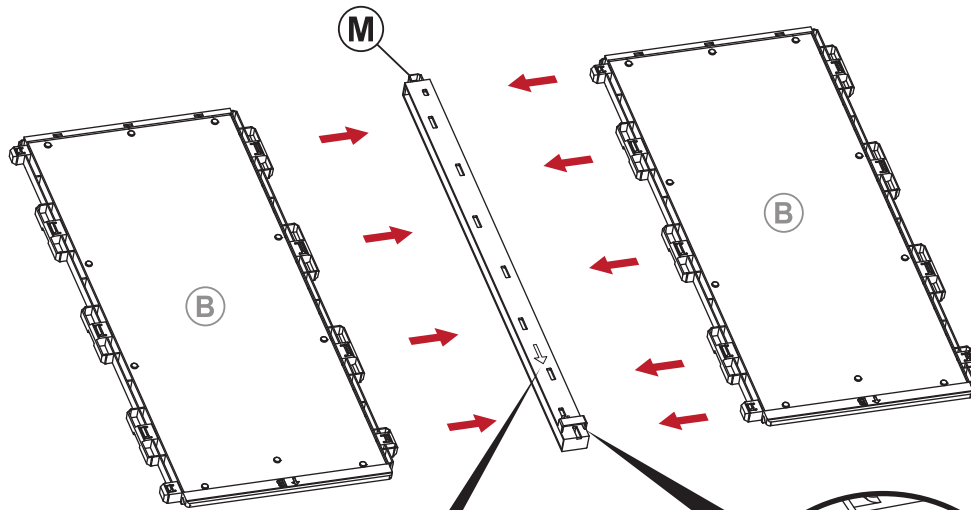
With the front sides facing down, lay out two Left Panels (A), two Right Panels (GA) and two Back Panels (B).

Place one Liner Panel (E) onto each of the resin panels, ensuring the mounting holes align.

Use ten Plugs (Z) to secure each liner panel to each resin panel.

STEP 2

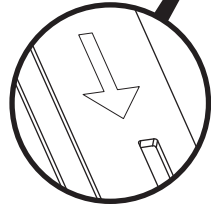
M: 1



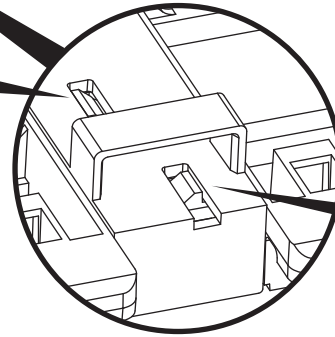
! IMPORTANT !

Identify the arrow on the inside of each component. The arrow indicates installation direction.

All arrows MUST face the same direction for components to assemble correctly.



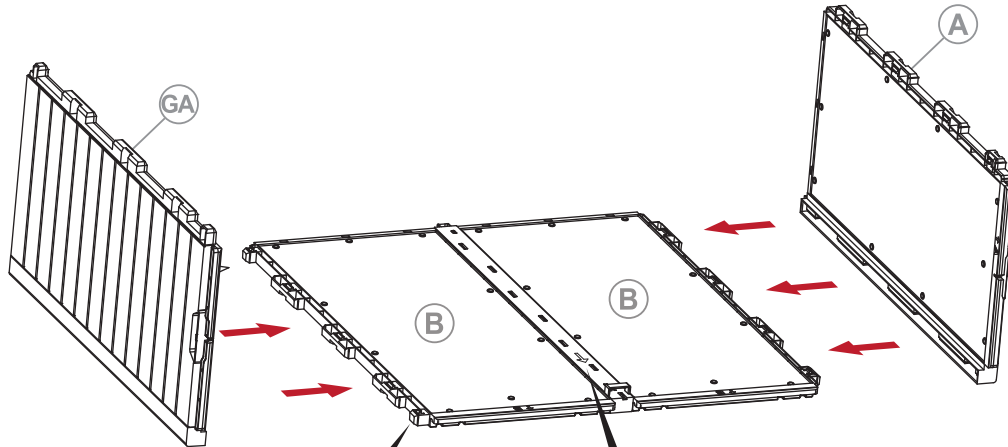
CLICK



CLICK

Firmly connect one Long Connector (M) with two Side Panels (B).

STEP 3



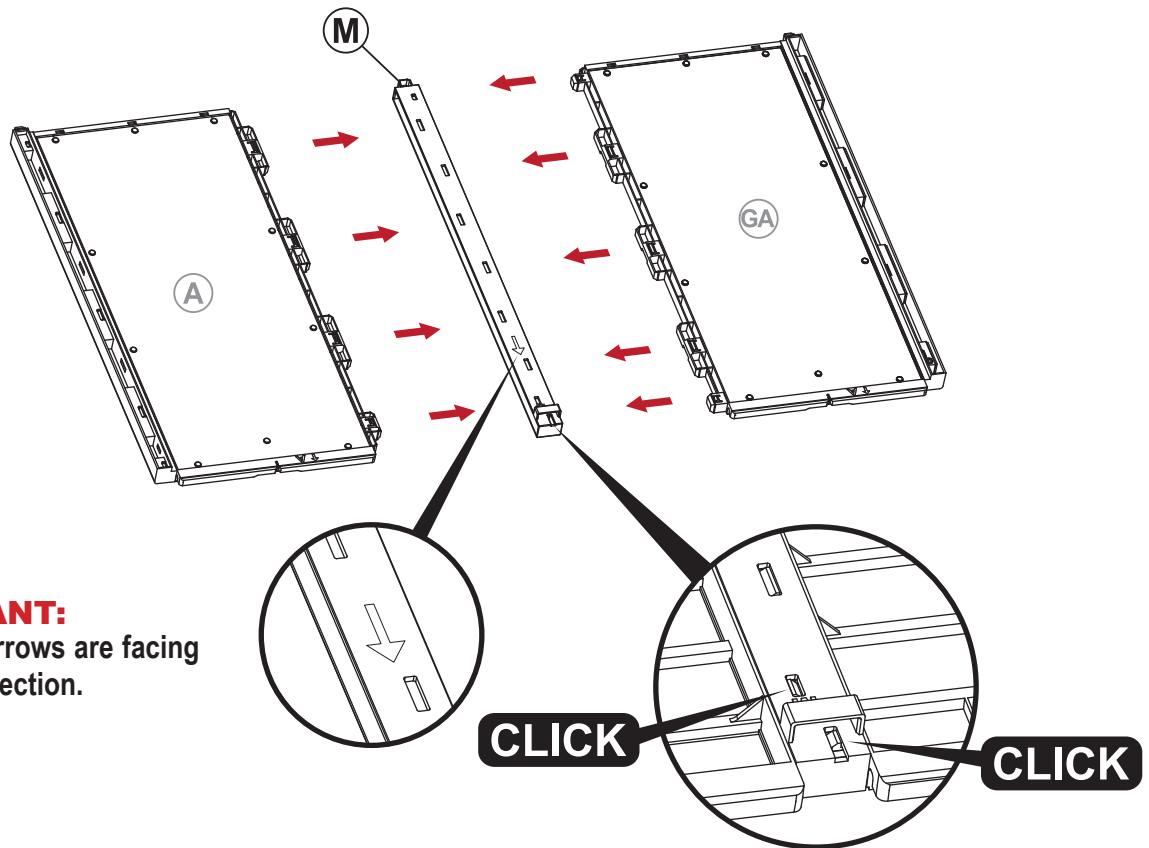
CLICK

IMPORTANT:
Ensure all arrows are facing the same direction.

Ensuring the arrows on the insides of the panels face the same directions, firmly and evenly press one Left Panel (A) and one Right Panel (GA) onto the back panels.

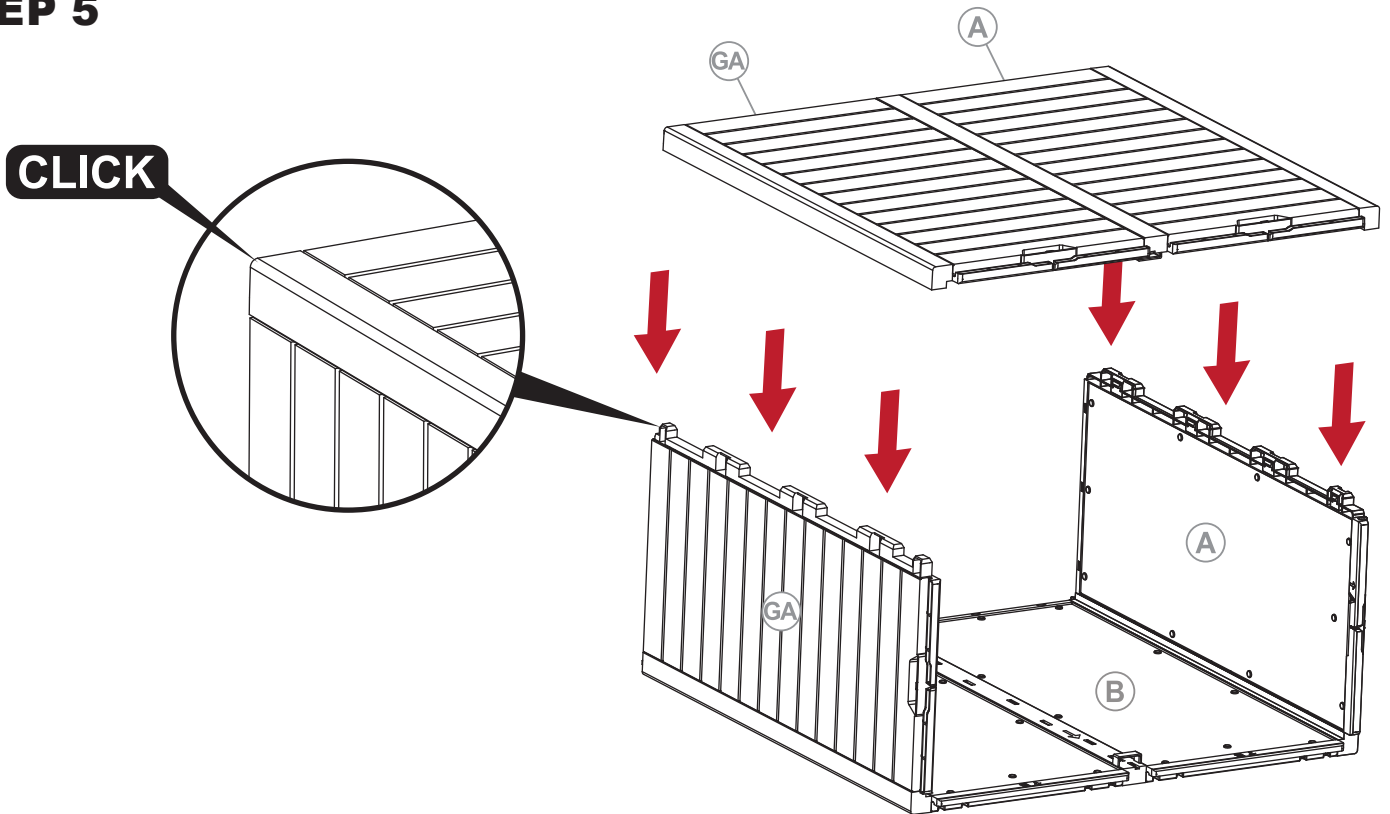
STEP 4

M: 1



Firmly connect one Long Connector (M) between Left Panel (A) and Right Panel (GA).

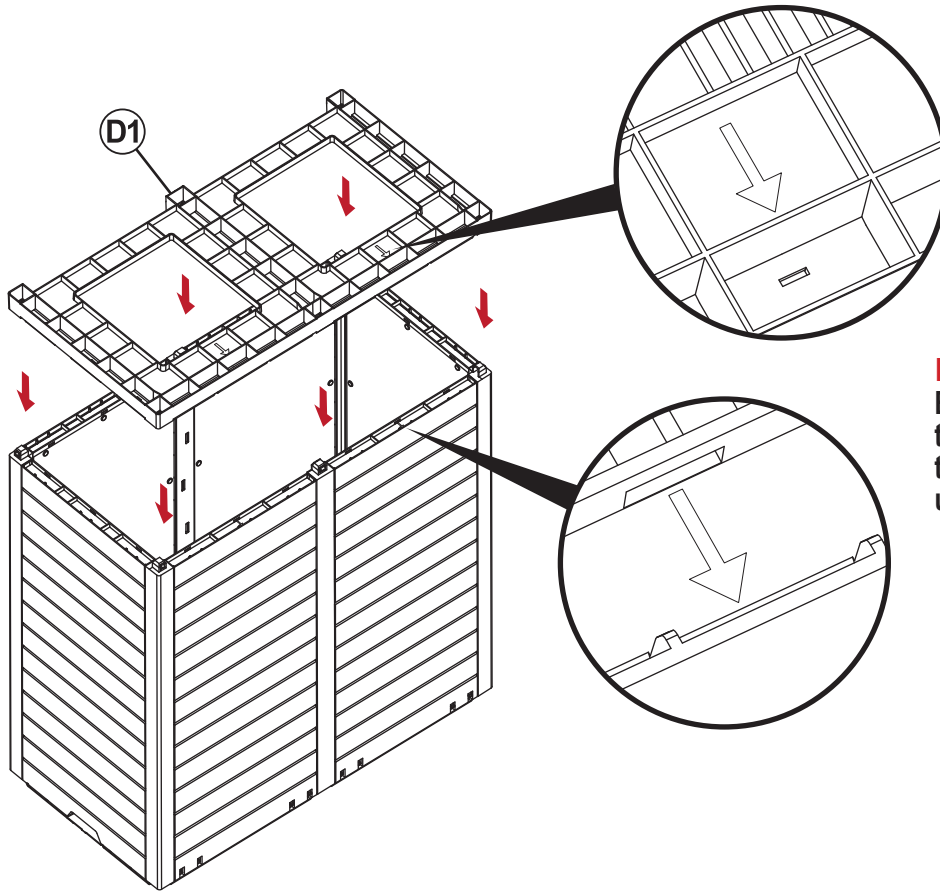
STEP 5



Ensuring the arrows on the insides of all panels are facing the same direction, firmly and evenly press the front panels onto the side panels, as shown.

STEP 6

M: 1



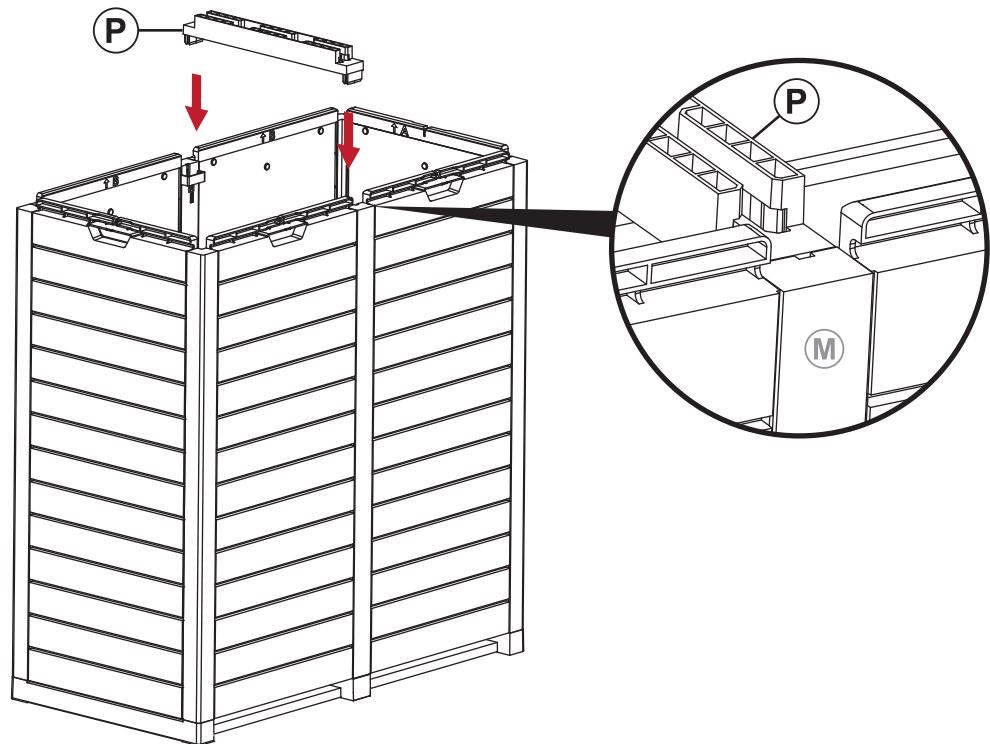
IMPORTANT:

Ensure the arrows on the bottom panel face toward the back of the unit, as shown.

Flip the assembled components upright so the bottom of the unit is on top. Firmly and evenly press Bottom Panel (D1) onto the side panels.

STEP 7

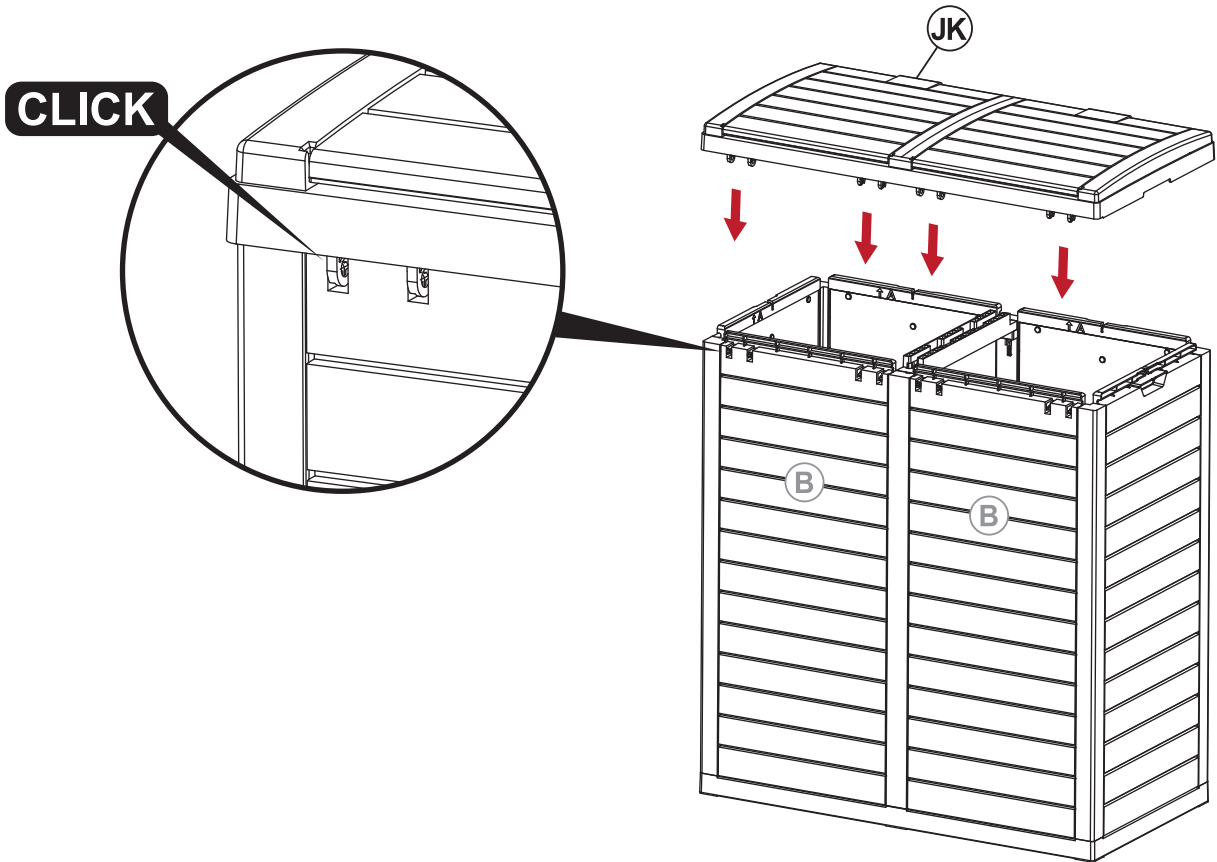
M: 1



Flip the unit upright. Firmly and evenly press Short Connector (P) onto Long Connectors (M).

STEP 8

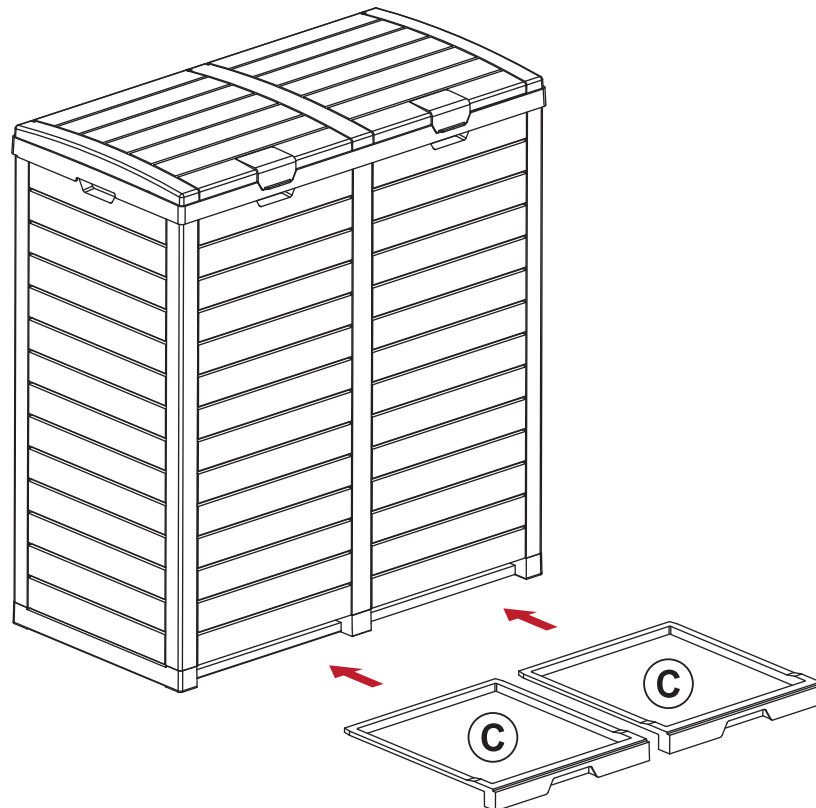
JK: 1



Firmly but carefully press the tabs on Lid (JK) into the grooves on the back panels until they snap in place.

STEP 9

C: 2



Slide two Trays (C) into the front, bottom of the unit.

Care & Maintenance

SAFE USE: For residential use only. Only use on a flat, level surface.

CLEAN: Periodically washing the unit will maintain a fresh appearance and prevent damage that may result from the build-up of dust and debris.

EXPOSURE: Over time, sunlight and weather elements fade and degrade resin. Damage caused by exposure to weather elements is not cause for return and is not covered under the manufacturer warranty.

WINTER CARE: To prevent the resin from cracking, store indoors during freezing conditions.

Cleaning

Regular cleaning keeps your resin furniture looking stunning for many Sunnydaze to come!

Do not use harsh chemicals or abrasive materials to clean the unit.

 **DO NOT USE BLEACH**

 **DO NOT USE A PRESSURE WASHER**

- Brush, vacuum, or use a garden hose to remove loose dirt and debris.
- Mix 1/4 cup of soap or a mild detergent with 1 gallon of warm water and hand-wash with a cloth. For stubborn stains, use a soft-bristle brush to scrub dirt and grime from the surfaces.
- Thoroughly rinse the unit; spray with a garden hose or use a bucket of water to rinse all traces of soap residue from the unit.
- To prevent water spots, dry with a soft, lint-free cloth.

SAFETY STATEMENTS & WARNINGS

- Do not lean or put full body weight onto the sides if reaching inside the unit.
- Do not use in the proximity of open flame or flammable/combustible chemicals.
- Keep unit a safe distance from heat sources such as fire pits, patio heaters, and grills.
- Do not allow children to use this product.
- Do not use harsh chemicals or abrasive materials to clean this unit.
- This product is for residential use only; institutional or commercial use will void this warranty.

Any modification to the product or failure to follow recommended care will void the product warranty.

WARNING!

Manufacturer and seller expressly disclaim any and all liability from personal injury, property damage or loss, whether direct or indirect, or incidental, resulting from the incorrect attachment, improper use, inadequate maintenance, or neglect of this product.