

ASSEMBLY INSTRUCTION







Item: 6080-50001-MTL

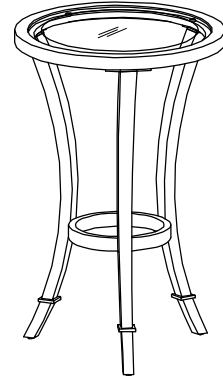
ROUND ACCENT MARTINI TABLE

Thank you for purchasing this quality product. Be sure to unpack carefully looking for small parts which may have come loose during shipment.

Read all instruction and study the drawing carefully before starting the assembly process:

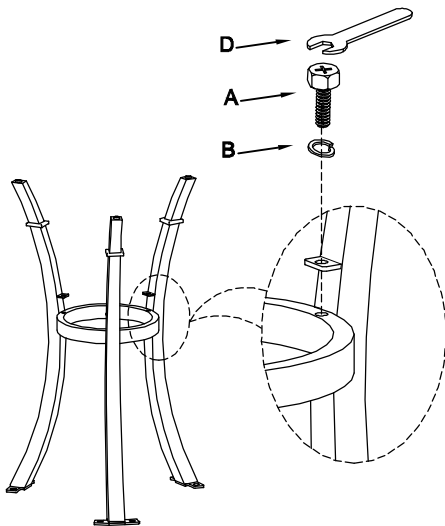
HARDWARE PACK

NO	DRAWING	DESCRIPTION	SIZE	Q'TY
A		Hexagonal Bolt	Ø1/4"×3/4"	9pcs
B		Lock washer	Ø1/4"	9pcs
C		Flat washer	Ø1/4"×16mm	6pcs
D		Allen wrench	84*2*11mm	1pc
E		Glass Pad	Ø12*3mm	4pcs
F		Top Glass	Dia*354*5 mm	1pc



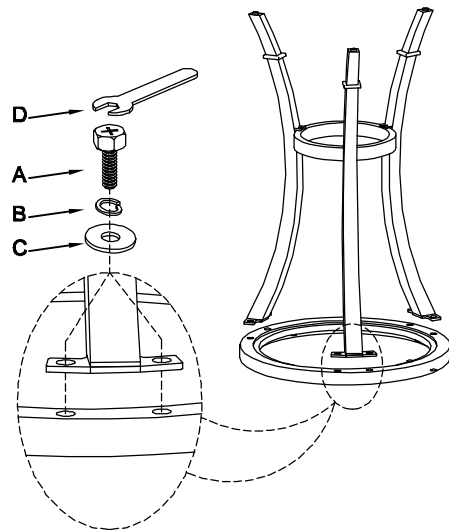
Step 1

To assemble the base, attach the Leg to the Shelf with the Hexagonal Bolts (A), Lock washer (B) and tighten with Wrench (D), however do not tighten up the Bolts at the Shelf Frame.



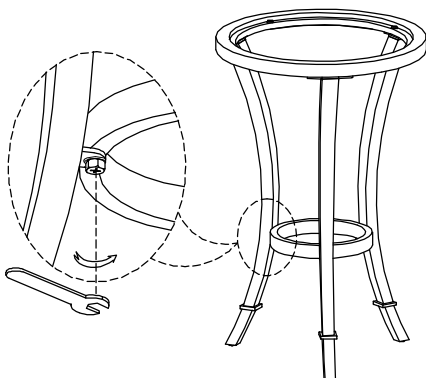
Step 2

Attach the Top Metal Frame to the assembled base using the Hexagonal Bolts (A), Lock washer (B), Flat washer (C) and tighten with Wrench (D),



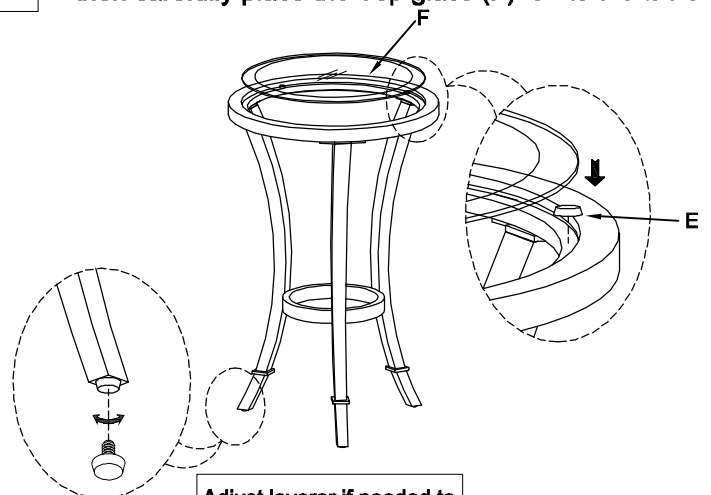
Step 3

All part was properly assembled, tighten up Hexagonal Bolt (A) at the Shelf with Wrench (D).



Step 4

Attach the Glass Pad (E) to the frame as shown picture, then carefully place the Top glass (F) on to the table.



Adjust leverer if needed to level case on uneven floor