

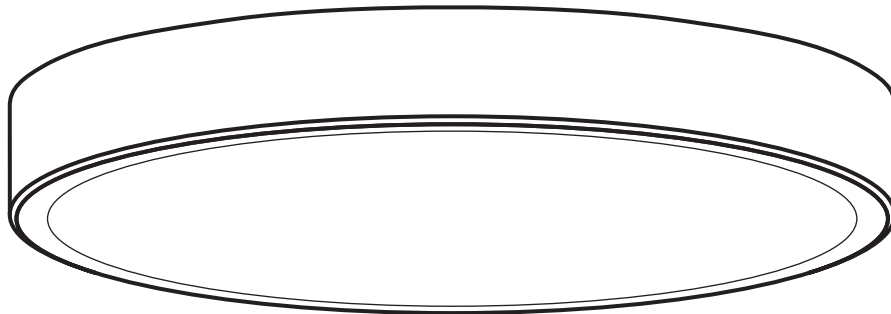


Thank you for your purchase. Questions, comments or feedback? We'd love to hear from you.  
Visit [feit.com/help](https://feit.com/help) for support.



# SMART 15 INCH FLUSH MOUNT CEILING FIXTURE

## IMPORTANT SAFETY INSTRUCTIONS AND INSTALLATION GUIDE



**READ BEFORE INSTALLATION**  
SAVE THESE INSTRUCTIONS

Questions, problems, missing parts? Before returning to the store,  
contact Feit Electric Customer Service at [feit.com/help](https://feit.com/help) for assistance.



# Table of Contents

Safety Information	2
FCC Statement	2
Warranty	2
Pre-Assembly	3
Installation	4
Getting Started:	5
Resetting Smart Ceiling Fixture	5
Non Smart Mode	5
Troubleshooting	5

## Safety Information



**WARNING: RISK OF SHOCK** House electric current can cause painful shock or serious injury unless handled properly.

For your safety, always remember to:

- Turn off the power supply at the fuse or circuit breaker box before you install the fixture.
- Ground the fixture to avoid potential electric shocks and to ensure reliable starting.
- Double-check all connections to be sure they are tight and correct.
- Wear rubber soled shoes and work on a sturdy wooden ladder.

This fixture is designed for use in a circuit protected by a fuse or circuit breaker. It is also designed to be installed in accordance with local electrical codes. If you are unsure about your wiring, consult a qualified electrician or local electrical inspector, and check your local electrical code.



**WARNING: RISK OF CUTS.** Some metal parts in the fixture may have sharp edges. To prevent cuts and scrapes, wear gloves when handling the parts.

## Supplier's Declaration of Conformity:

### 47 CFR § 2.1077 Compliance Information

**Responsible Party:** Feit Electric Company  
4901 Gregg Road, Pico Rivera, CA 90660, USA  
562-463-2852

**Unique Identifier:** FM15/RGBW/DIM/AG

This device complies with part 15 of the FCC Rules. Operation is subject to the following two conditions: (1) This device may not cause harmful interference, and (2) this device must accept any interference received, including interference that may cause undesired operation. Note: This equipment has been tested and found to comply with the limits for a Class B digital device, pursuant to part 15 of the FCC Rules. These limits are designed to provide reasonable protection against harmful interference in a residential installation. This equipment generates, uses and can radiate radio frequency energy and, if not installed and used in accordance with the instructions, may cause harmful interference to radio communications. However, there is no guarantee that interference will not occur in a particular installation. If this equipment does cause harmful interference to radio or television reception, which can be determined by turning the equipment off and on, the user is encouraged to try to correct the interference by one or more of the following measures: Reorient or relocate the receiving antenna. Increase the separation between the equipment and receiver. Connect the equipment into an outlet on a circuit different from that to which the receiver is connected. Consult the dealer or an experienced radio/TV technician for help. Any changes or modifications not expressly approved by the manufacturer could void the user's authority to operate the equipment. CAN ICES-005 (B).

The device has been evaluated to meet general RF exposure requirement. The device can be used in fixed/mobile (min. 20 cm) exposure condition without restriction.

## Limited Warranty

This product is warranted to be free from defects in workmanship and materials for up to 1 year from date of purchase. If the product fails within the warranty period, please contact Feit Electric at info@feit.com, visit feit.com/contact-us or call 1-866-326-BULB (2852) for instructions on replacement or refund. REPLACEMENT OR REFUND IS YOUR SOLE REMEDY. EXCEPT TO THE EXTENT PROHIBITED BY APPLICABLE LAW, ANY IMPLIED WARRANTIES ARE LIMITED IN DURATION TO THE DURATION OF THIS WARRANTY. LIABILITY FOR INCIDENTAL OR CONSEQUENTIAL DAMAGES IS HEREBY EXPRESSLY EXCLUDED. Some states and provinces do not allow the exclusion of incidental or consequential damages, so the above limitation or exclusion may not apply to you. This warranty gives you specific legal rights, and you may also have other rights which vary from state to state or province to province.

## SAVE THESE INSTRUCTIONS



**CAUTION:** TURN OFF THE MAIN POWER AT THE CIRCUIT BREAKER BEFORE INSTALLING THE FIXTURE, IN ORDER TO PREVENT POSSIBLE SHOCK.



**CAUTION:** CONSULT A QUALIFIED ELECTRICIAN TO ENSURE CORRECT BRANCH CIRCUIT CONDUCTOR.

**CAUTION: WARNING:** Risk of fire. Use only on 120 volt 60Hz circuits. Suitable for damp locations. Before installing your lighting fixture, thoroughly review this installation manual. If you do not have sufficient electrical wiring experience, please refer to a do-it-yourself wiring handbook or have your fixture installed by a qualified licensed electrician. All electrical connections must be in accordance with Local and National Electrical Code (NEC) Standards. www.feit.com or call our toll free number 1-866-326-2852.

**GENERAL:** All electrical connections must be in accordance with local and National Electrical Code (N.E.C.) standards. If you are unfamiliar with proper electrical wiring connections obtain the services of a qualified electrician.

Remove the fixture and the mounting package from the box and make sure that no parts are missing by referencing the illustrations on the installation instructions.

Account for small parts and destroy packing material, as these may be hazardous to children.

## TOOLS REQUIRED

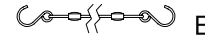
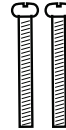


Phillips  
Screwdriver

## HARDWARE INCLUDED



**NOTE:** Hardware not shown to actual size.



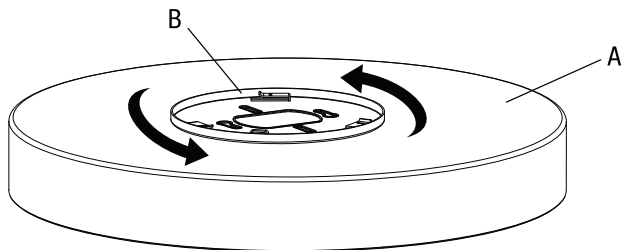
Part	Description	Quantity
A	Fixture	1
B	Mounting Plate	1
C	Wire Nuts	2
D	Junction Box Mounting Screws	2
E	Safety Cable	1

## 1 Turning Off the Power

Turn the power OFF at the switch and fusebox or the circuit breaker.

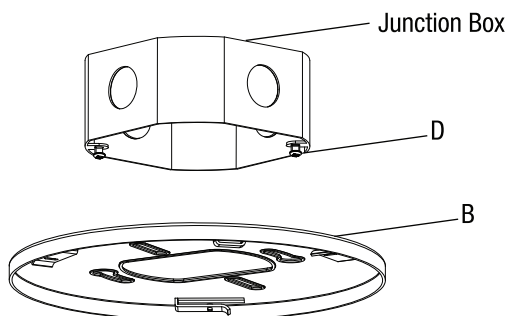
## 2 Unpacking of Fixtures

Carefully unpack fixture (A) and remove the mounting plate (B) from the back of the fixture by turning the mounting plate (B) counter clock-wise.



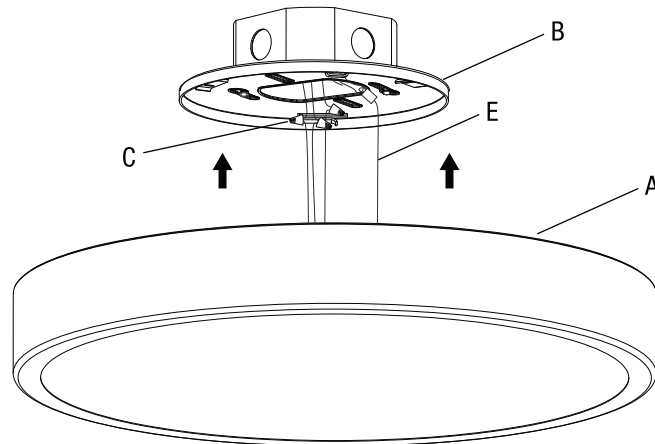
## 3 Installing the Mounting Plate

Secure the mounting plate (B) to the junction box by inserting the two junction box mounting screws (D) through the slots of the mounting plate (B) that best align to the junction box.



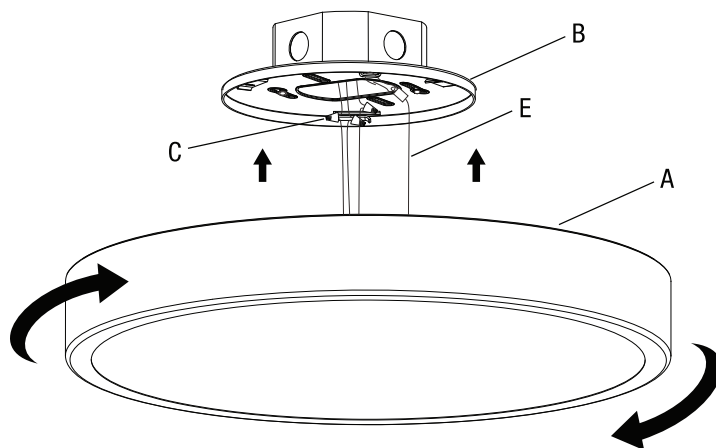
## 4 Connecting the Wires

Lift the fixture (A) to the junction box. Secure safety cable (E) to the mounted plate on junction box. Use wire nuts (C) provided to connect white fixture wire to neutral supply wire and black fixture wire to the hot supply wire.



## 5 Install the Fixture Backplate

Tuck the electrical wires and safety cable (E) into the junction box and then lift the fixture (A) up to the mounting plate (B). Turn the fixture (A) clock-wise to lock the fixture to the mounting plate (B).



## 1 Download the Feit Electric App on Your Smart Device



Feit Electric app



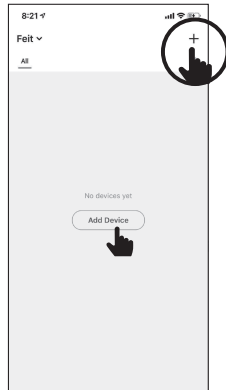
## 2 After hardwiring to the power, turn on your smart ceiling fixture.

The smart ceiling fixture must be pulsing to pair. If not already pulsing, flip the wall switch On and Off three times. The ceiling fixture will pulse to indicate a successful reset and will initiate pairing mode.

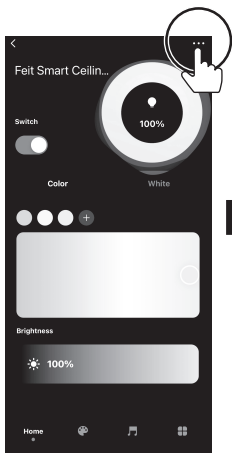
## 3 Launch the Feit Electric App to Complete the Set Up

Tap Add Device or the + sign, then select smart ceiling fixture and confirm. You will be prompted to enter your Wi-Fi network and password.

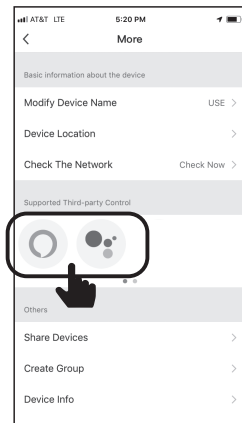
**NOTE:** Be sure to connect to a 2.4 GHz Wi-Fi network that covers your installation location.



## (Optional) Connect to Alexa or Google Assistant Using the In-App Guide

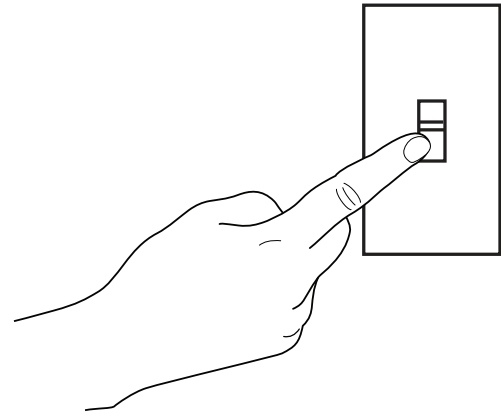


Tap Pen icon



Choose Alexa or Google

To reset the smart ceiling fixture, flip the wall switch On and Off three times. The smart ceiling fixture will cycle red, blue, green then pulse soft white to indicate a successful reset and will initiate pairing mode.



## Troubleshooting

If you are having difficulty connecting: Make sure the Wi-Fi network is a 2.4 GHz network. The smart ceiling fixture will not connect to a 5 GHz network. Test your Wi-Fi network with other devices such as your phone to make sure it is operating properly. The Wi-Fi connection may not have good coverage during set up. Try moving the the smart ceiling fixture closer to your Wi-Fi router. Your Wi-Fi network password is case sensitive, make sure you are entering correctly.

The smart ceiling fixture must be ON in order to be controlled via the mobile app. Please also check the App User Guide for more information.

## Need Help?

Thank you for your purchase  
Questions, comments or feedback?  
We'd love to hear from you.

Visit [feit.com/help](http://feit.com/help) for support or connect with us:



@FeitElectric



@FeitElectricInc

