



Thank you for purchasing Leick Furniture products.
Contact customer service for comments or concerns.

Sheboygan, WI

920-451-4060

info@leickhome.com

www.leickhome.com

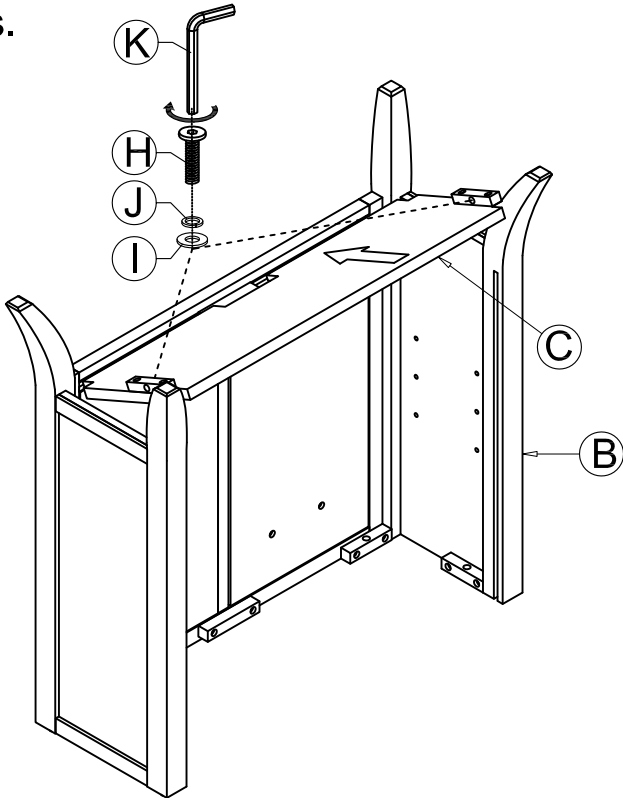
Assembly Instructions, #10129 Traditional Cherry Tray Edge Foyer Cabinet



A: Top Assembly	
B: Cabinet	
C: Bottom Panel	
D: Shelf	
E: Back Panel	
F: (2) Door Pull	
G: (4) Machine screw	
H: (6) Bolts	
I: (6) Flat Washers	
J: (6) Lock Washers	
K: Allen Wrench	
L: (3) Screws	
M: (4) Shelf metal clip	

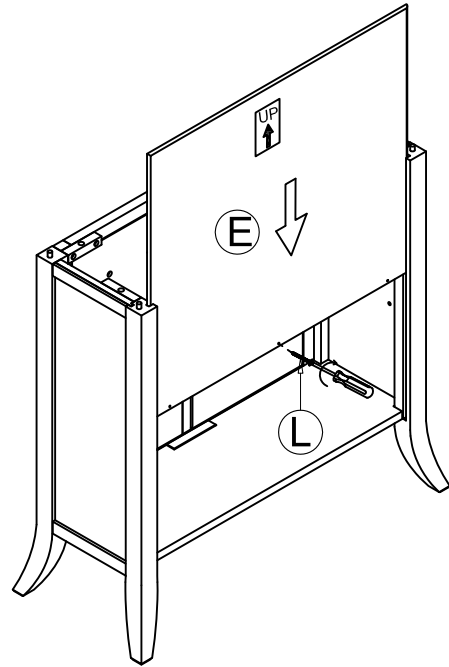
Step 1

Place the cabinet upside down and unfold two sides. Insert the shelf edge into the groove and fasten the shelf with bolts.



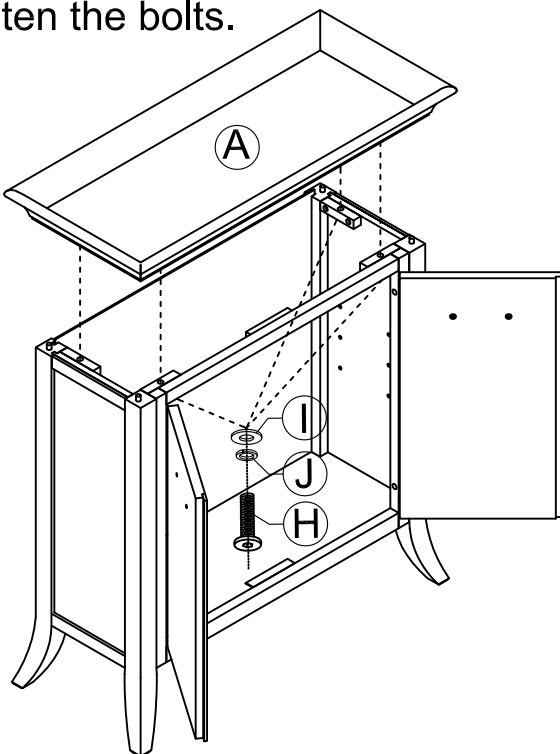
Step 2

Hold the door and flip the cabinet right side up. Slide the back panel into the cabinet and fasten with three screws on the bottom.



Step 3

Open the door and place the top on. Make sure the groove towards to the back bottom of top for back panel. Tighten the bolts.



Step 4

Place the shelf on shelf supports. Install the door pulls.

