

# Assembly Guide



**Bush**  
FURNITURE

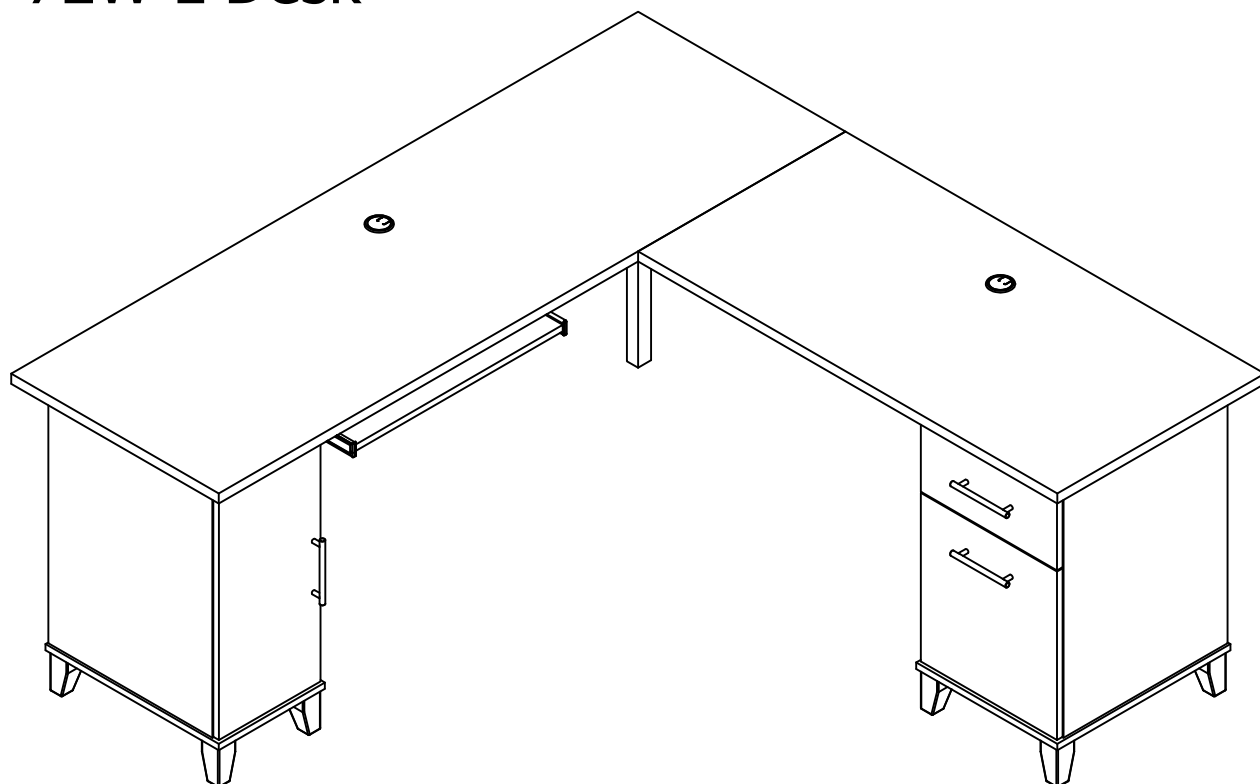


If you're having any difficulty during assembly of this product, don't hesitate to call us at **1-800-950-4782.**

Our customer service experts are trained to provide step-by-step instruction and can easily replace any missing or damaged parts.

**Representatives are available Monday-Friday from 8:30 a.m. to 7:30 p.m. (ET)**

## 72W L Desk



Lot Code #

Instruction Sheet Number A186366H

Keep manual for future reference.

## For best results, keep these tips in mind:

- ① We know you want to finish this assembly as quickly as possible, but trust us: you'll have a better experience if you take it one step at a time.
- ② Give yourself some room to work near where you want the fully assembled product.
- ③ If your floor isn't carpeted, assemble this product on the empty carton to avoid scratching.
- ④ Do you have a friend who owes you a favor? Some steps may go a little easier with a second set of hands.

### DOs

- ✔ Use a #2 Phillips head screwdriver (or other handheld tools as indicated)
- ✔ Wear safety glasses at all times during assembly
- ✔ Carefully follow the instructions in this guide and complete all steps in order
- ✔ Give us a call if you're having trouble with a particularly tricky step

### DON'Ts

- ✘ We know power tools are quick and easy, but you shouldn't use them when assembling this product (unless otherwise specified)
- ✘ Never move your furniture with items inside or resting on the surface
- ✘ Do not attempt to use this product before all steps have been completed



## Watch assembly videos right on your phone or computer!



Some steps include QR codes that link to helpful videos. Watch out for the icon on the left! Simply open up your smartphone camera to scan the code.

*(Users of older smartphones may need to install a QR Reader.)*

### SCAN HERE



FOR VIDEOS

Or visit <https://www.bushfurniture.com/CustomerService/HowtoAssemble.aspx>

# IMPORTANT SAFETY INFORMATION



## PLEASE READ WARNINGS

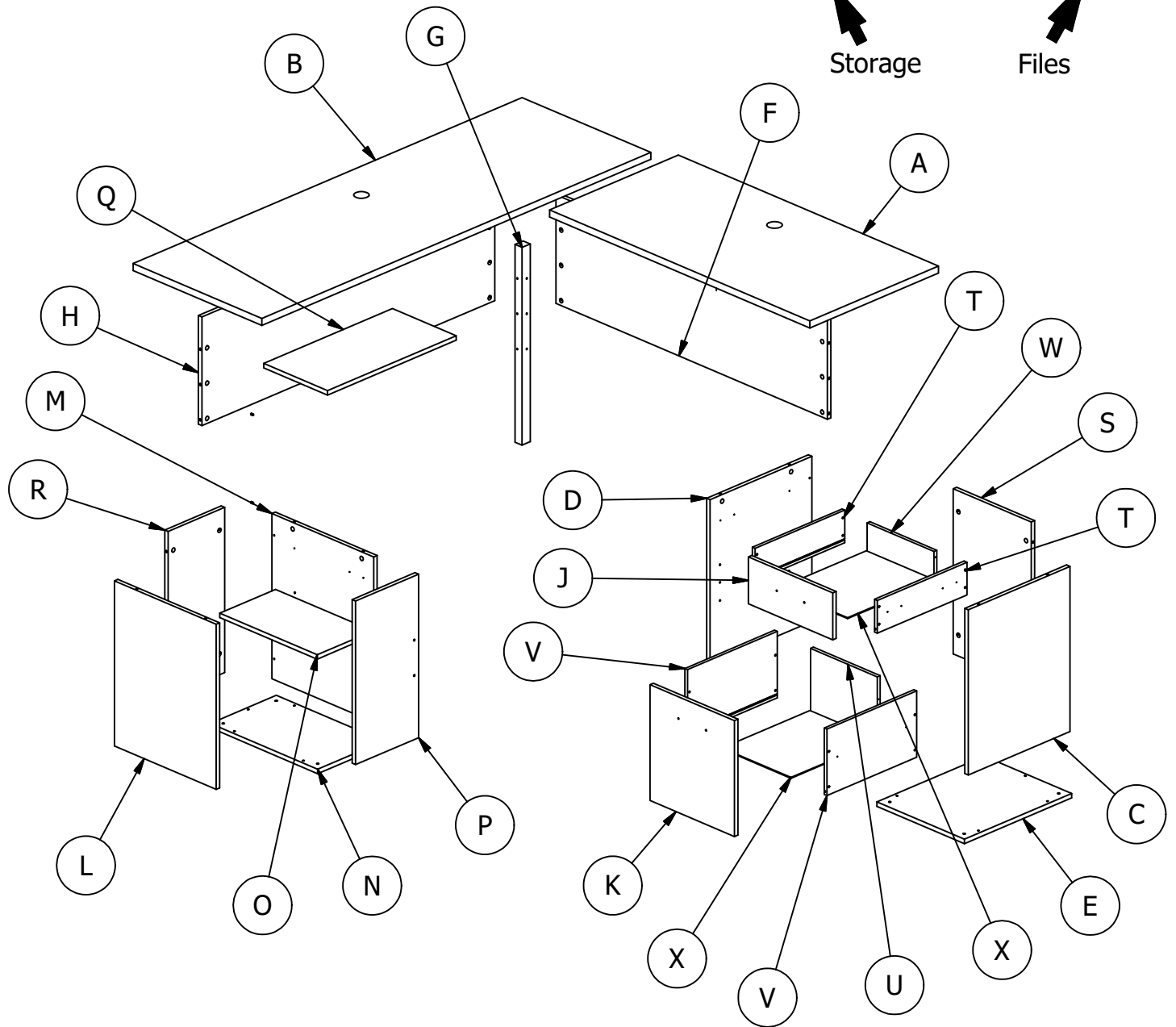
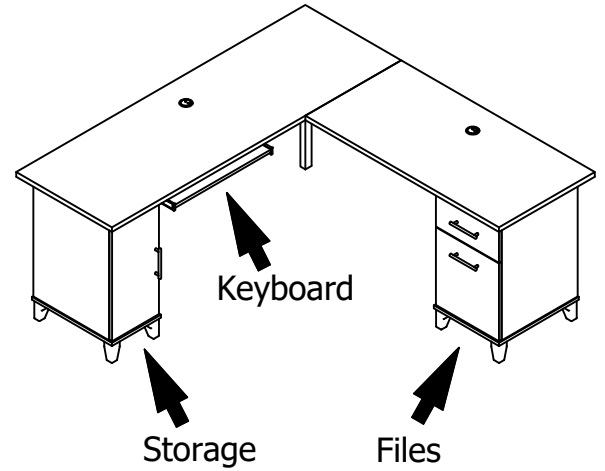
Improper use can cause safety hazards, or damage to your furniture and household items.

Warning	Do	Don't	Why it's important
<b>Serious injury may occur.</b>	<ul style="list-style-type: none"><li>Assemble following all instructions using all indicated parts and hardware provided.</li></ul>	<ul style="list-style-type: none"><li>Do not move unit when loaded.</li><li>Do not load with a television or other heavy equipment.</li><li>Do not exceed the maximum load limits stated in the instructions.</li></ul>	Improper assembly, use or loading can lead to product instability, tipover, or collapse.

Advertencia	Hacer	No	Por qué es importante
<b>Pueden producirse lesiones graves.</b>	<ul style="list-style-type: none"><li>Realice el montaje siguiendo todas las instrucciones y utilizando todas las piezas indicadas y los herrajes suministrados.</li></ul>	<ul style="list-style-type: none"><li>No mueva la unidad cuando esté cargada.</li><li>No cargue el mueble con un televisor u otro equipo pesado.</li><li>No supere los límites máximos de carga indicados en las instrucciones.</li></ul>	El montaje, uso o carga inadecuados pueden provocar inestabilidad, vuelco o colapso del producto.

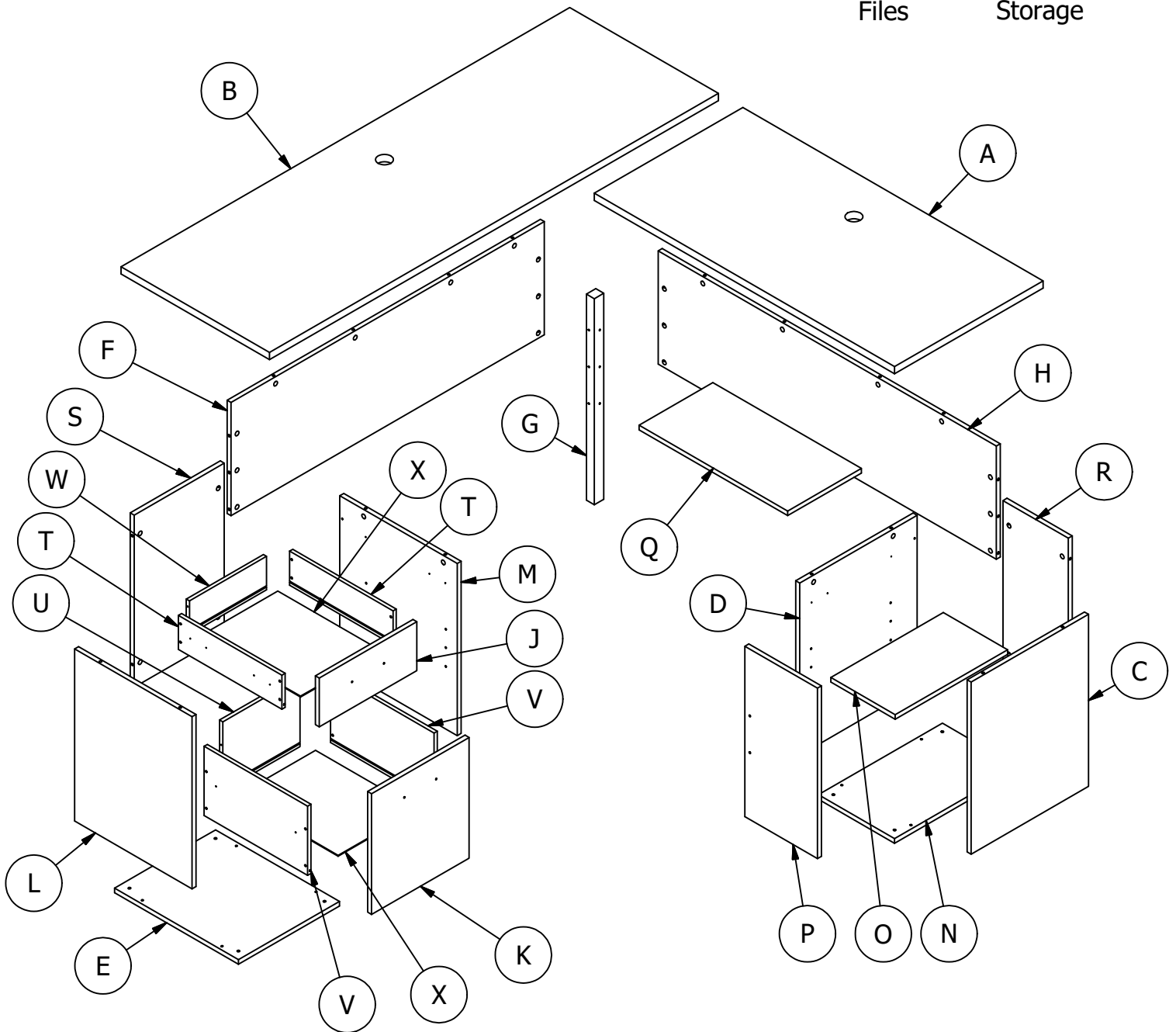
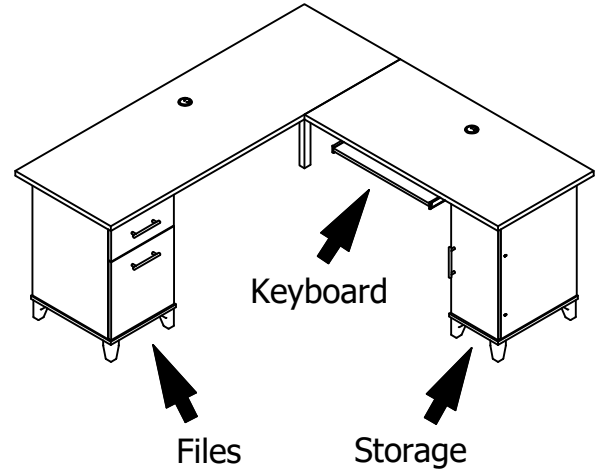
Avertissement	À faire	À ne pas faire	Pourquoi c'est important
<b>Peut entraîner des blessures graves.</b>	<ul style="list-style-type: none"><li>Assembler en suivant toutes les instructions et en utilisant toutes les pièces et la quincaillerie incluses.</li></ul>	<ul style="list-style-type: none"><li>Ne pas déplacer le meuble lorsqu'il est chargé.</li><li>Ne pas charger le meuble avec un téléviseur ou tout autre équipement lourd.</li><li>Ne pas dépasser les limites de poids maximales indiquées dans les instructions.</li></ul>	Un assemblage, une utilisation ou un chargement incorrects peuvent entraîner l'instabilité, le basculement ou l'effondrement du produit.

# Assembly Option 1



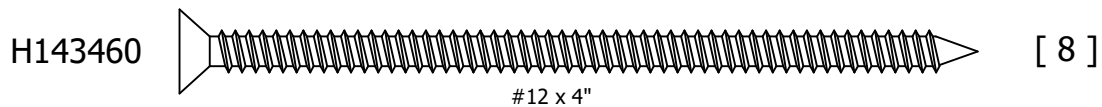
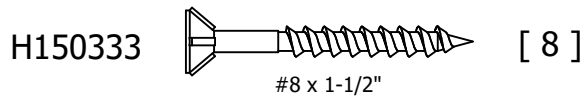
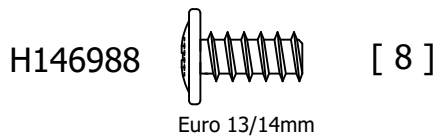
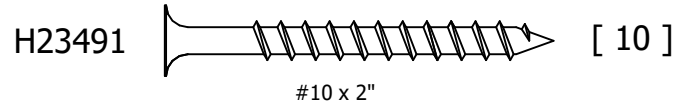
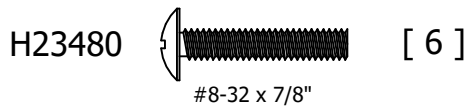
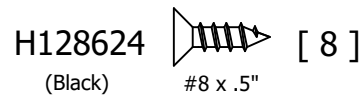
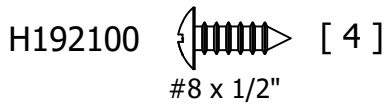
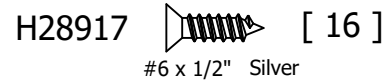
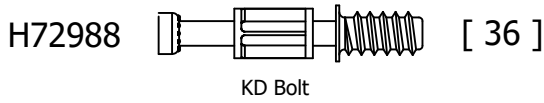
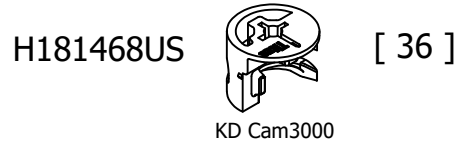
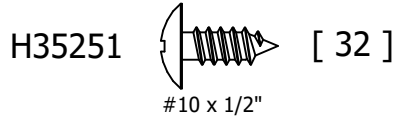
Have an assembly question or need a replacement part? Just call **1-800-950-4782**, we are here to help.

# Assembly Option 2



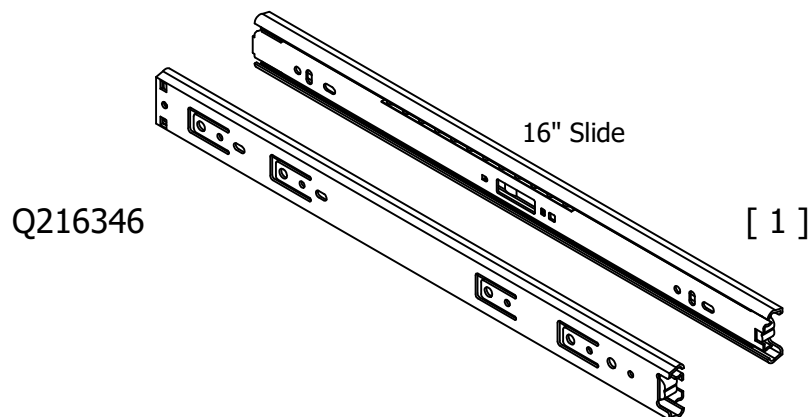
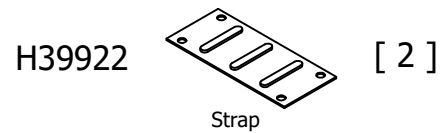
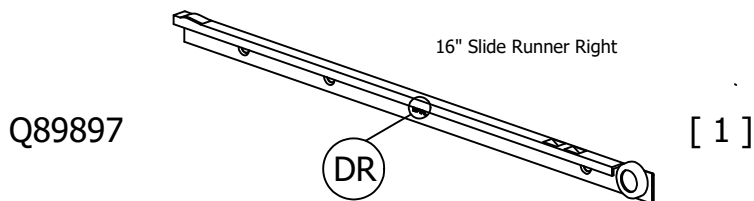
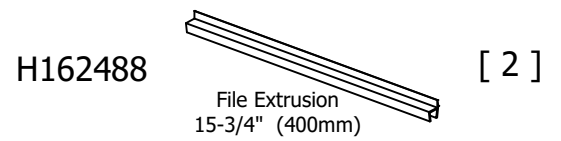
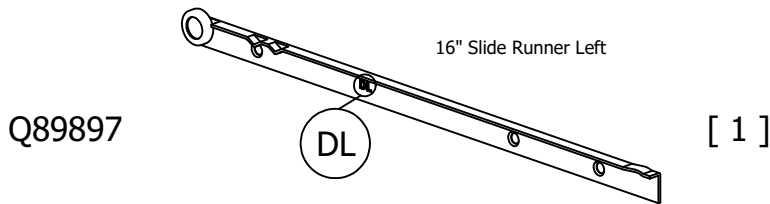
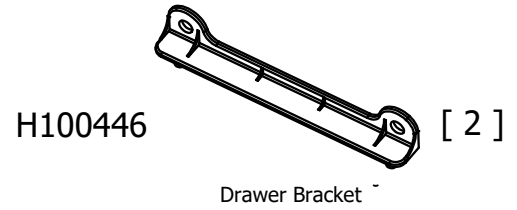
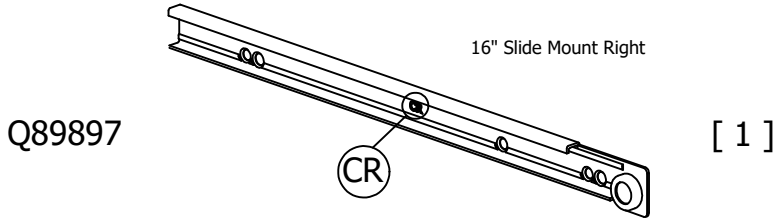
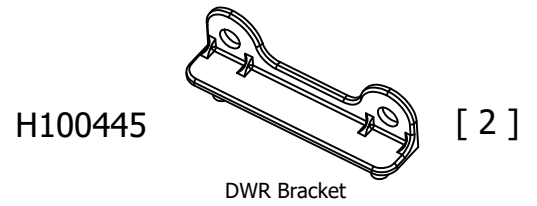
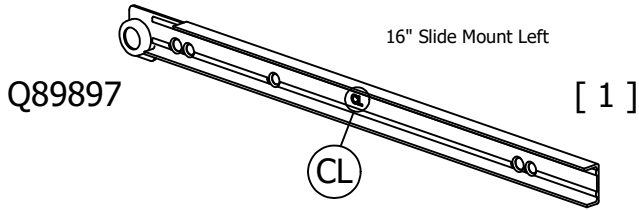
Have an assembly question or need a replacement part? Just call **1-800-950-4782**, we are here to help.

Fasteners are shown actual size.



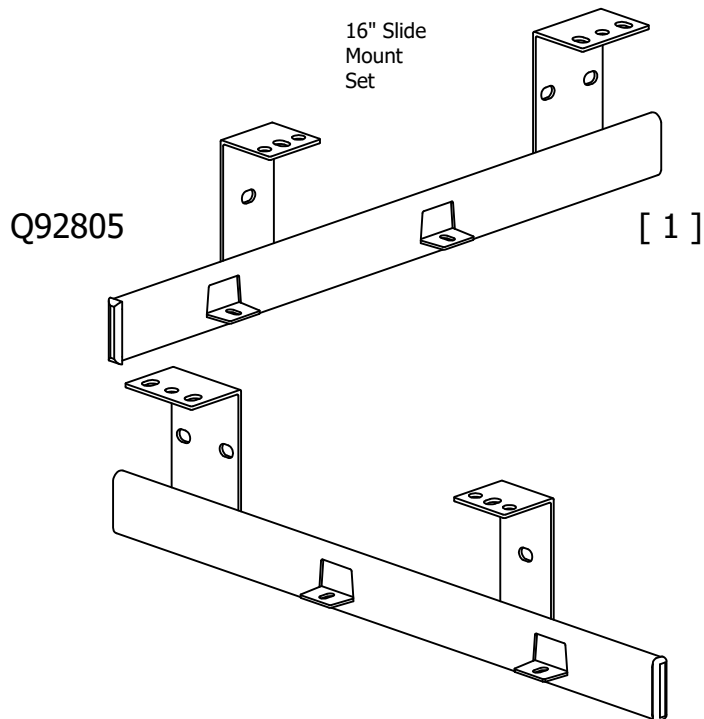
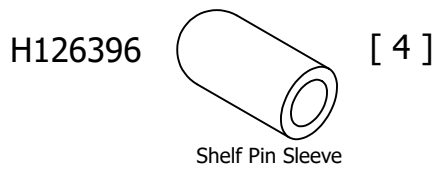
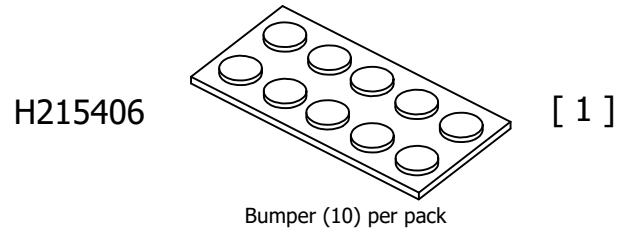
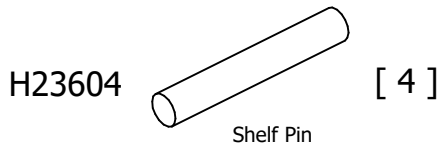
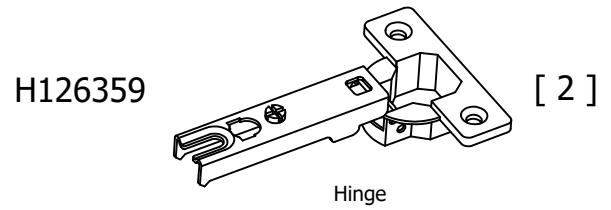
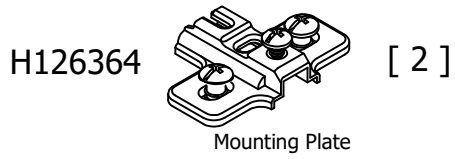
Have an assembly question or need a replacement part? Just call  
**1-800-950-4782**, we are here to help.

Hardware not to scale.



Have an assembly question or need a replacement part? Just call **1-800-950-4782**, we are here to help.

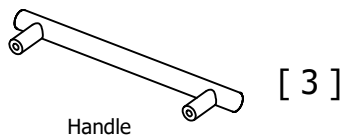
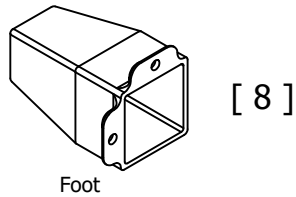
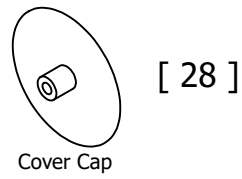
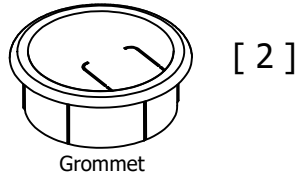
Hardware not to scale.



Have an assembly question or need a replacement part? Just call **1-800-950-4782**, we are here to help.



Hardware not to scale.



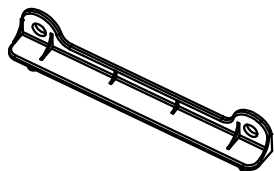
Have an assembly question or need a replacement part? Just call  
**1-800-950-4782**, we are here to help.

# STEP 1

## Prepare Panels

A186366H

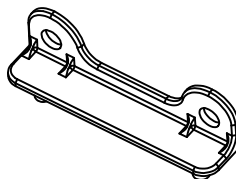
H100446



[ 2 ]

Drawer Bracket

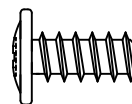
H100445



[ 2 ]

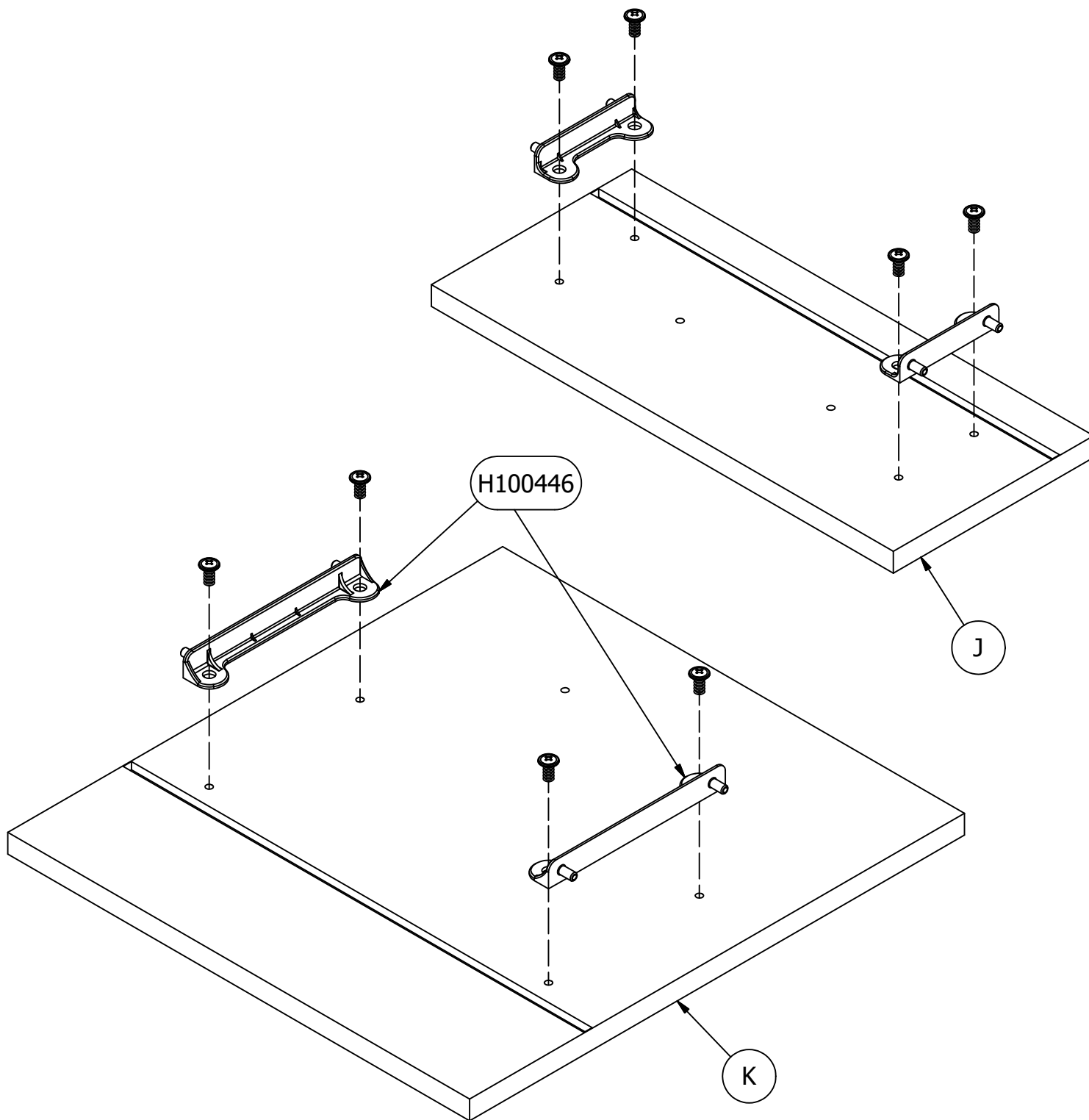
DWR Bracket

H146988



[ 8 ]

Euro 13/14mm



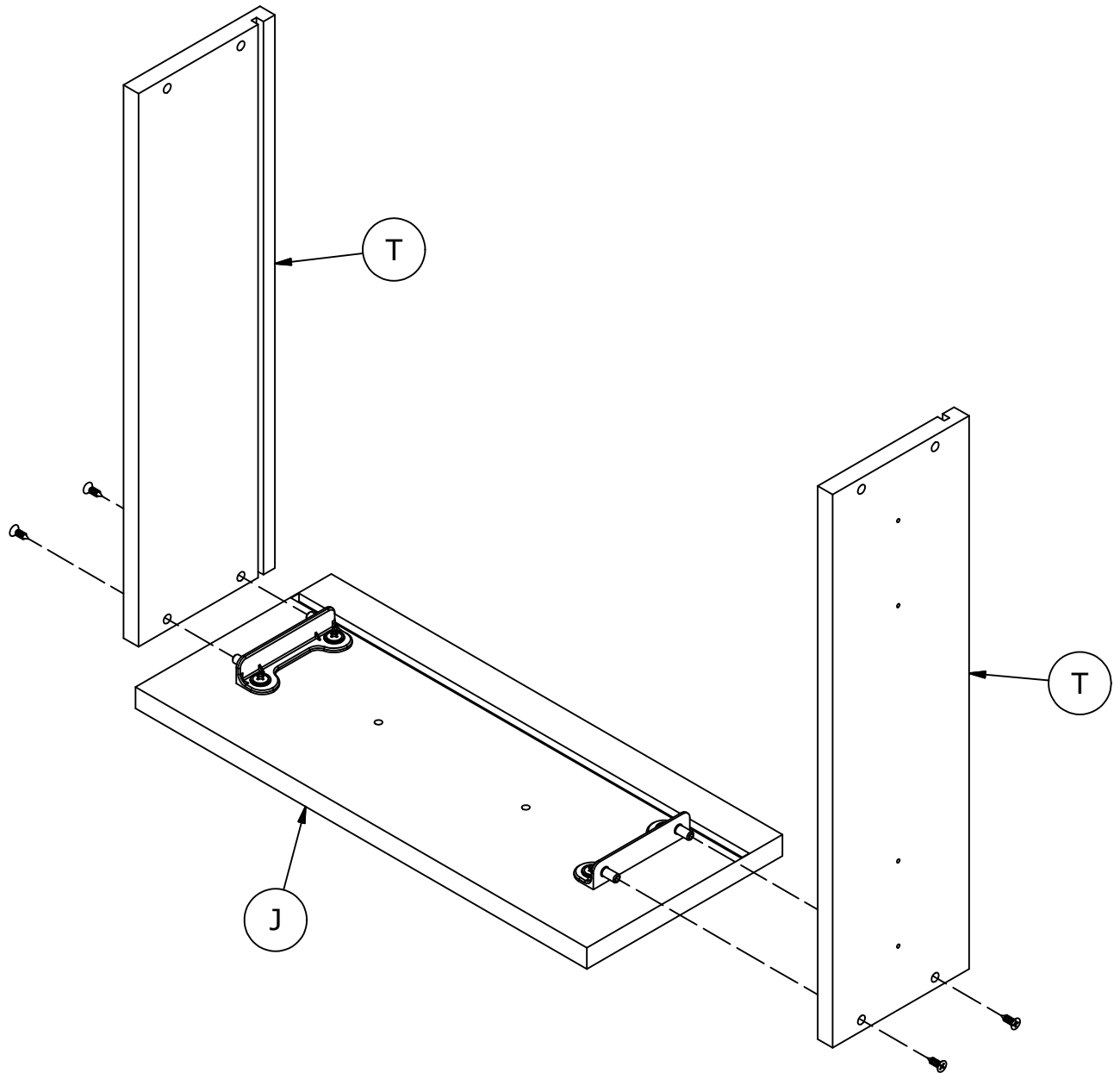
Have an assembly question or need a replacement part? Just call  
**1-800-950-4782**, we are here to help.

# STEP 2

# Assemble Panels

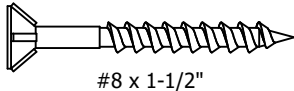
A186366H

H128624 [ 4 ]  
(Black) #8 x .5"

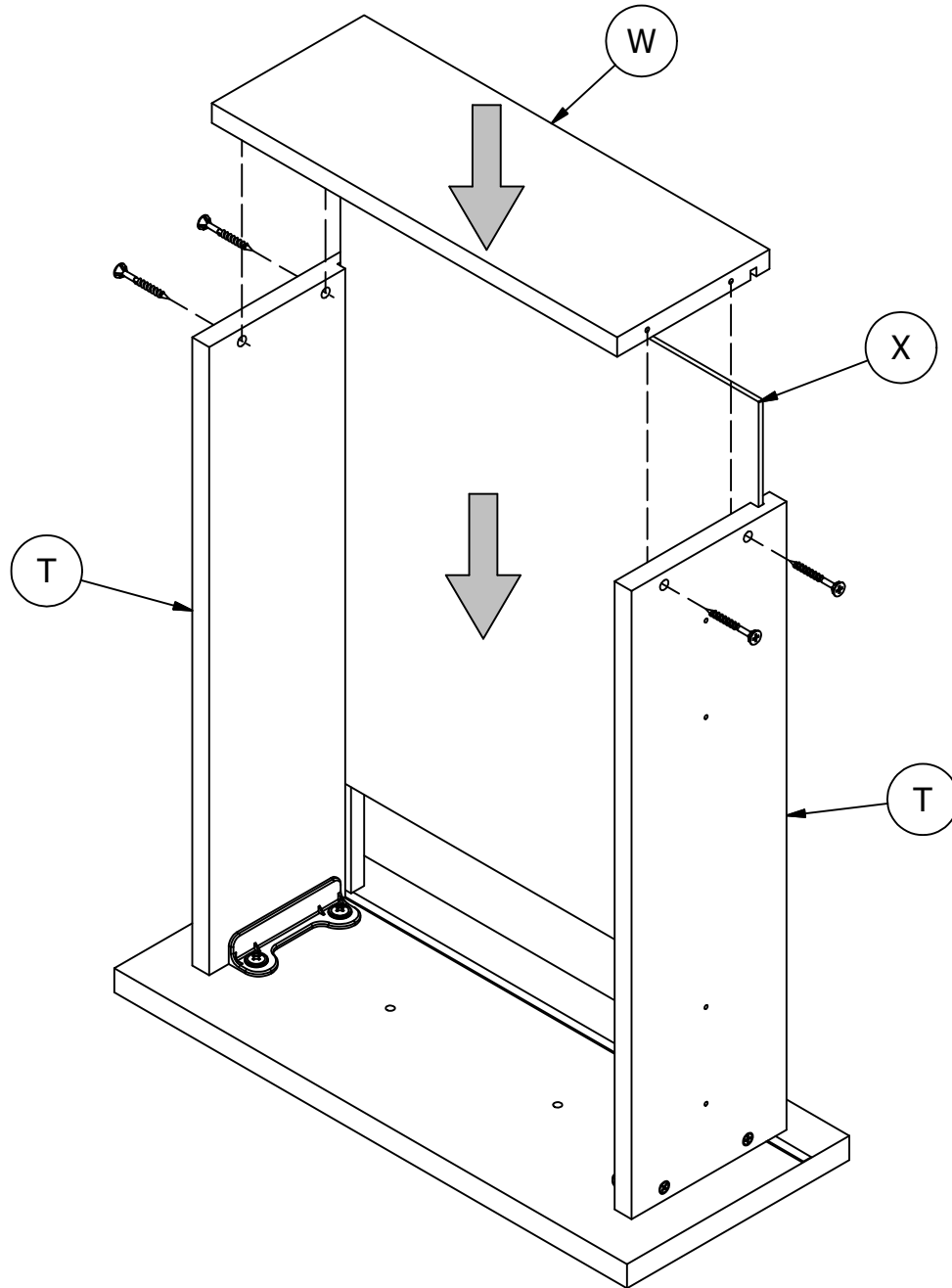


Have an assembly question or need a replacement part? Just call  
**1-800-950-4782**, we are here to help.

H150333



[ 4 ]





Have an assembly question or need a replacement part? Just call  
**1-800-950-4782**, we are here to help.

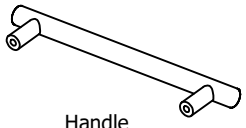
# STEP 4

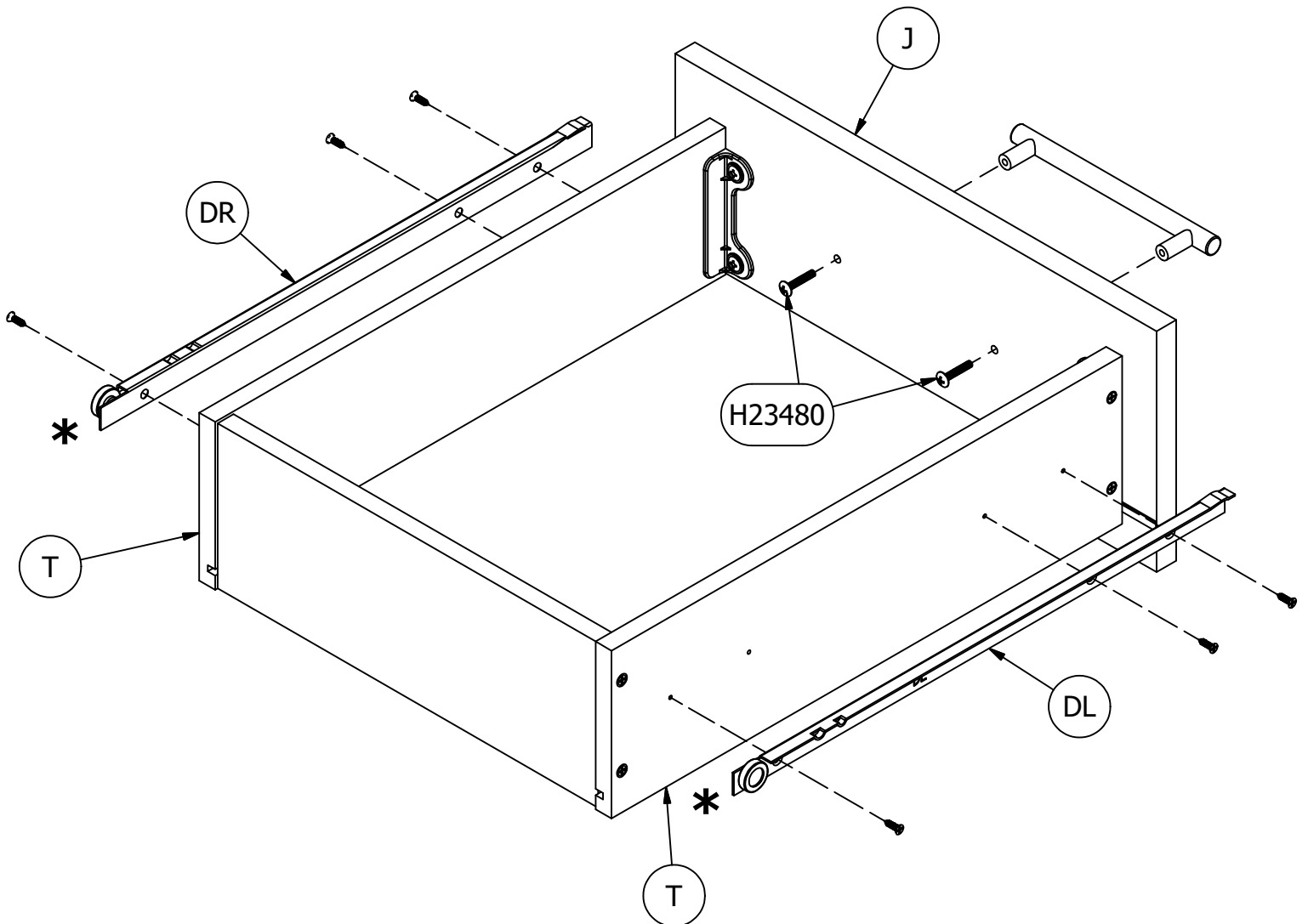
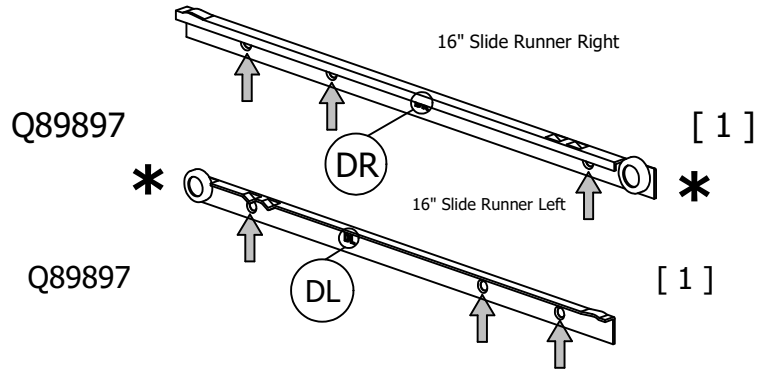
# Attach Hardware

A186366H

H23480  [ 2 ]  
#8-32 x 7/8"

H28917  [ 6 ]  
#6 x 1/2" Silver

 [ 1 ]  
Handle



Have an assembly question or need a replacement part? Just call  
**1-800-950-4782**, we are here to help.

Scan QR Code to Watch Video on:

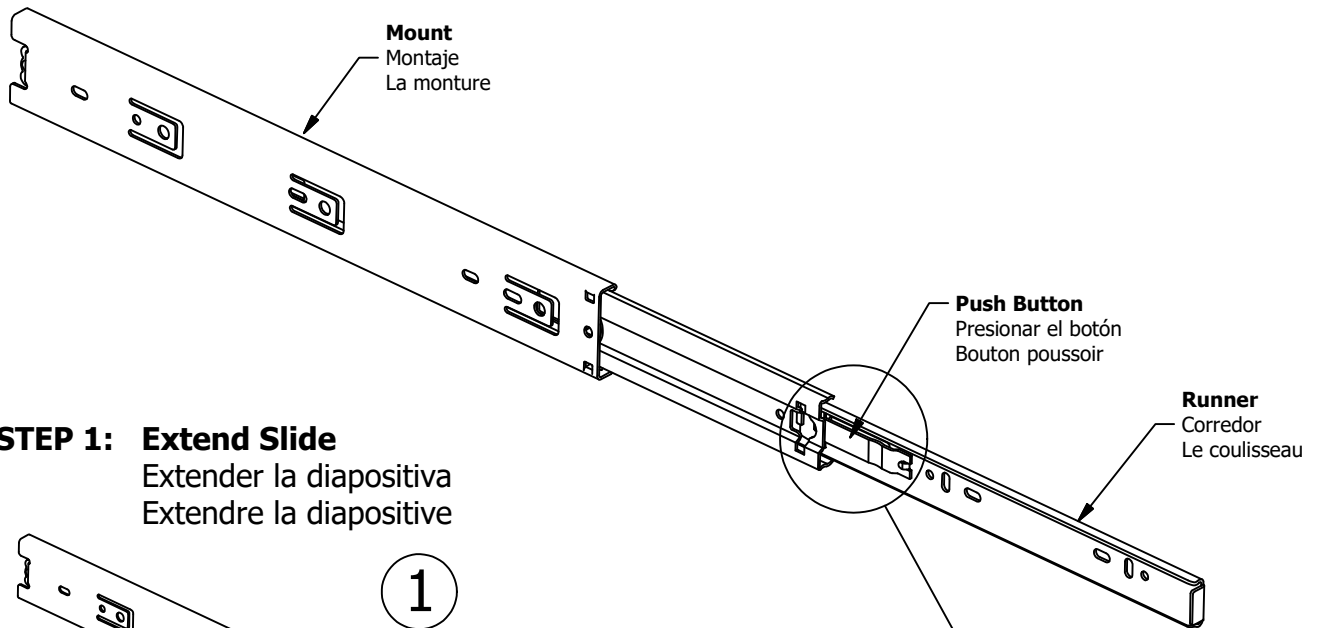


How to Separate and Install Drawer Slides

**Slides Must Be Separated Before Assembly.  
After Separated, Set Aside Until Needed for Assembly.**

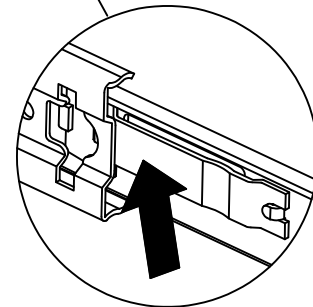
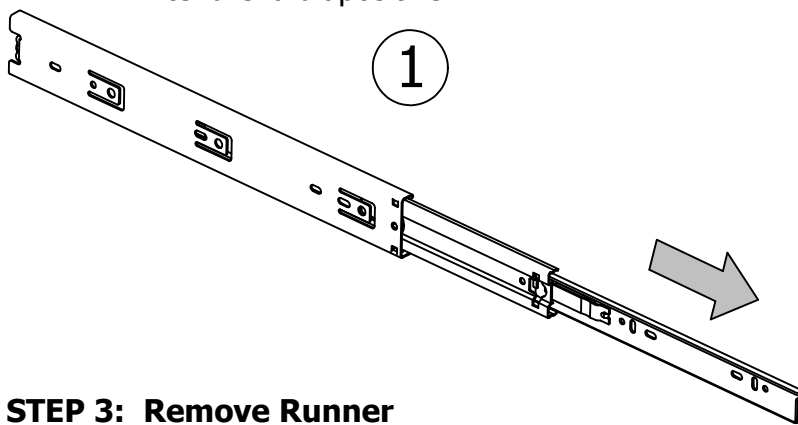
Las diapositivas deben separarse antes del montaje.  
Después de la separación, déjelo a un lado hasta que sea necesario.

Les glissières doivent être séparées avant l'assemblage.  
Après la séparation, mettez de côté jusqu'au moment de l'assemblage.



**STEP 1: Extend Slide**  
Extender la diapositiva  
Extendre la diapositive

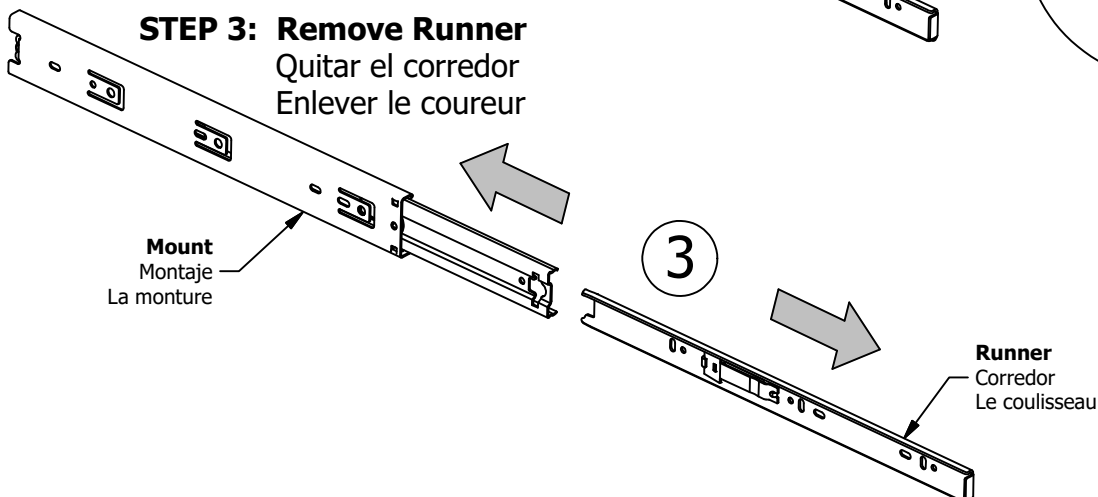
1



2

**STEP 3: Remove Runner**  
Quitar el corredor  
Enlever le coureur

3



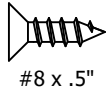
Have an assembly question or need a replacement part? Just call **1-800-950-4782**, we are here to help.

# STEP 6

# Assemble Panels

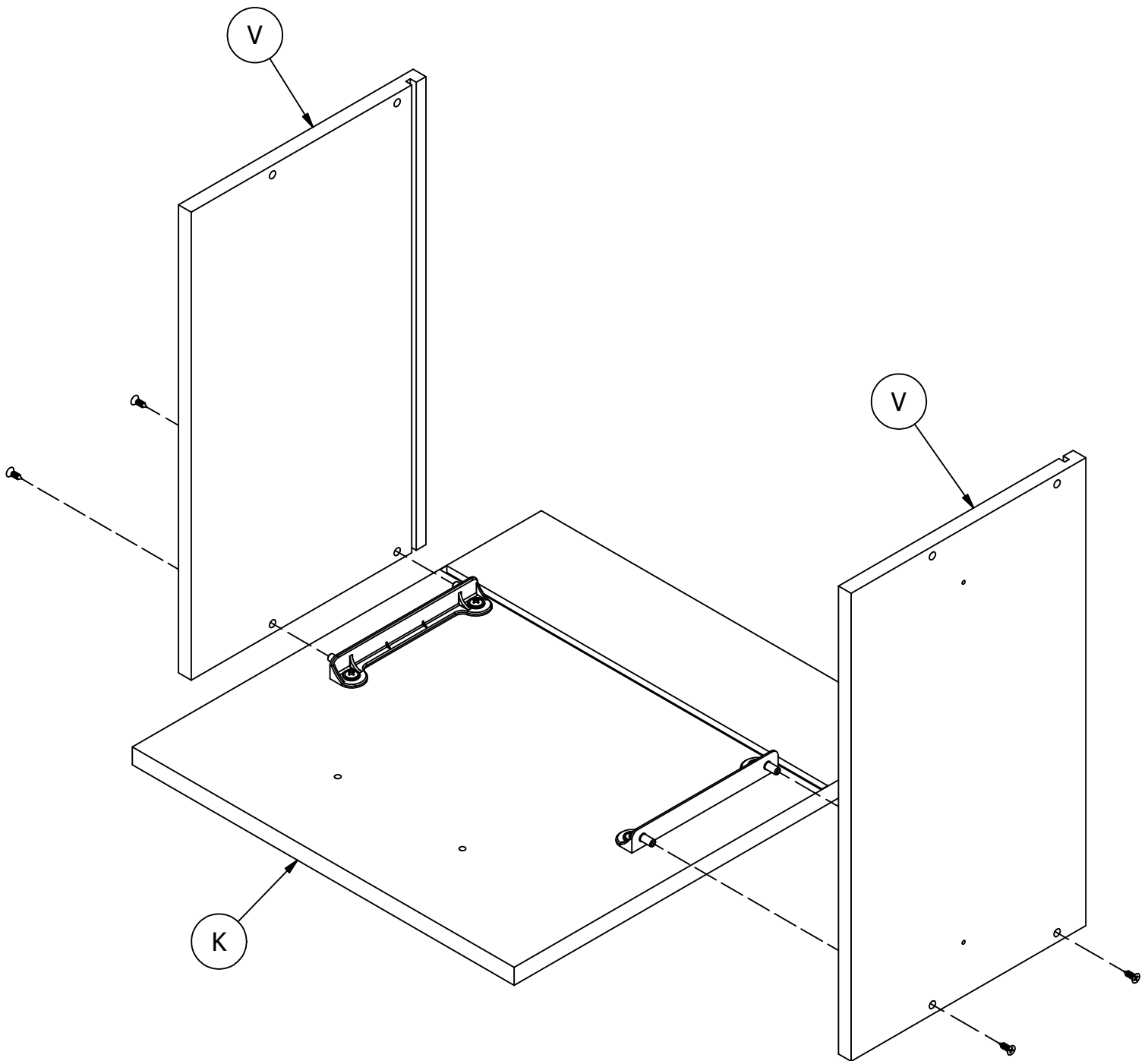
A186366H

H128624  
(Black)



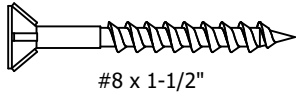
[ 4 ]

#8 x .5"

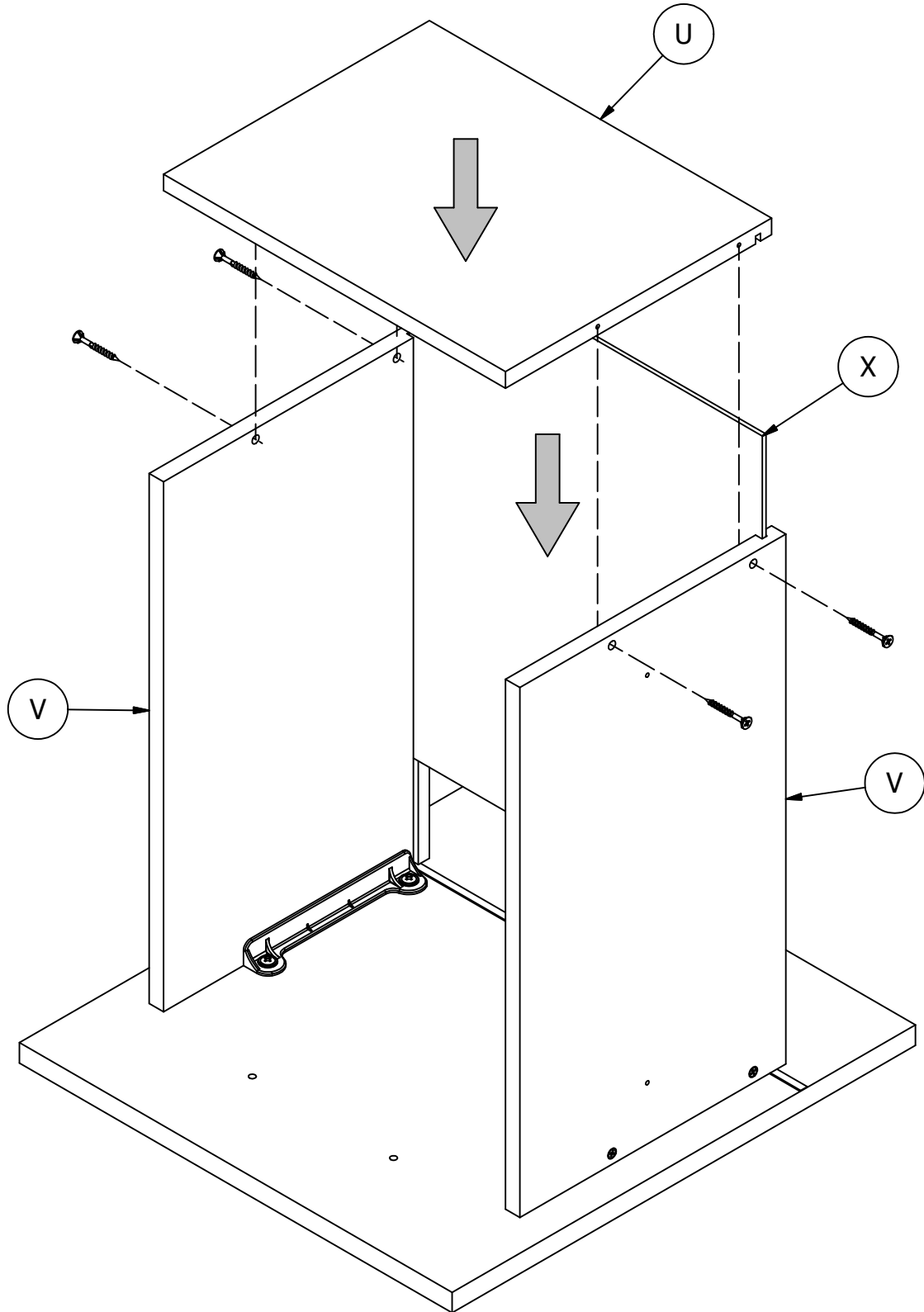


Have an assembly question or need a replacement part? Just call  
**1-800-950-4782**, we are here to help.

H150333



[ 4 ]



Have an assembly question or need a replacement part? Just call **1-800-950-4782**, we are here to help.



# STEP 8


# Attach Hardware

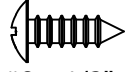
A186366H

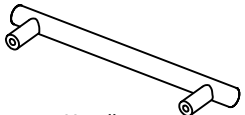
Scan QR Code to Watch Video on:



How to Separate and Install Drawer Slides

H23480  [ 2 ]  
#8-32 x 7/8"

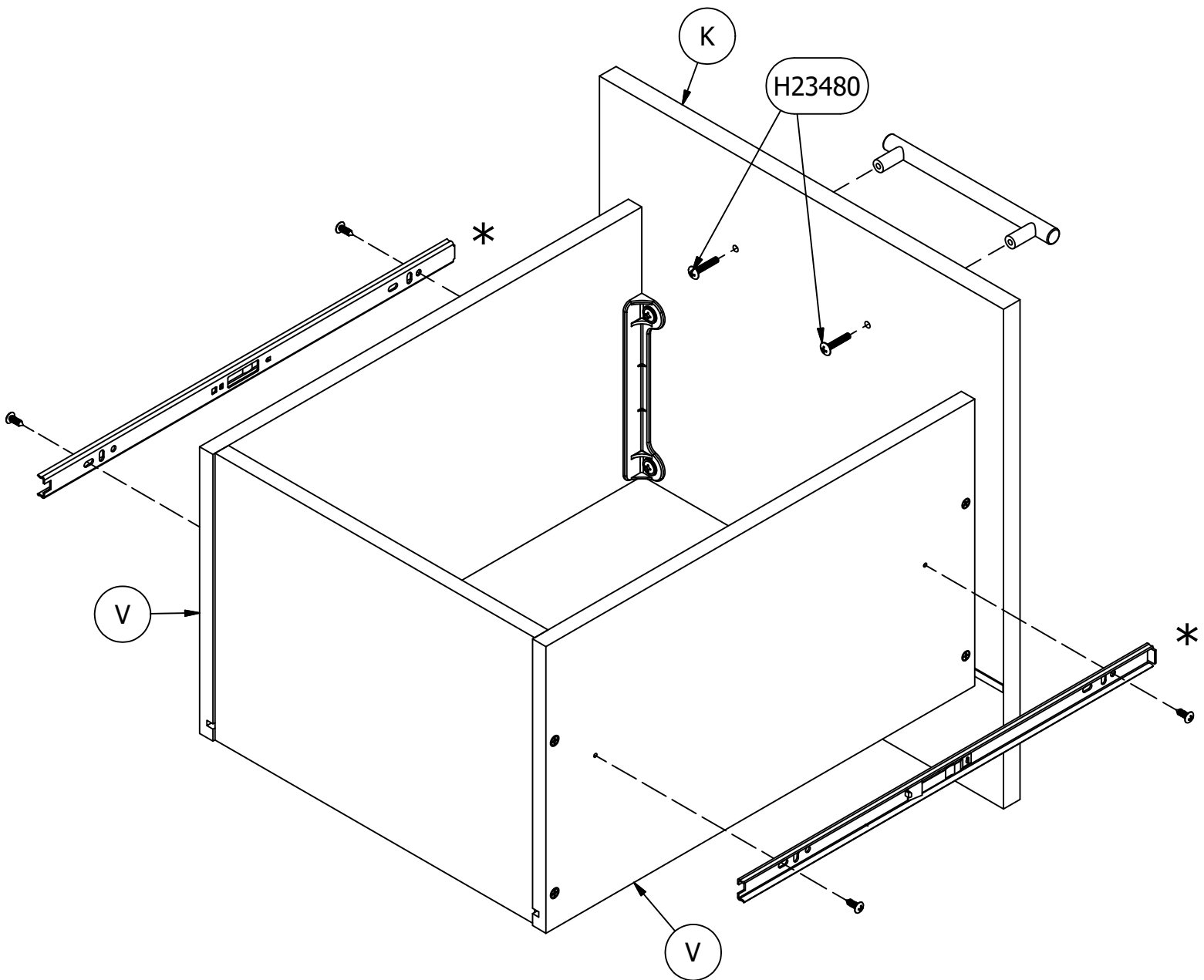
H192100  [ 4 ]  
#8 x 1/2"

 [ 1 ]  
Handle

Q216346  [ 2 ]

16" Slide Runner

Orientation  
Orientación  
L'orientation



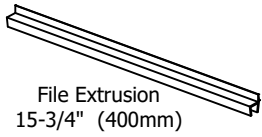
Have an assembly question or need a replacement part? Just call **1-800-950-4782**, we are here to help.

# STEP 9

# Attach Hardware

A186366H

H162488



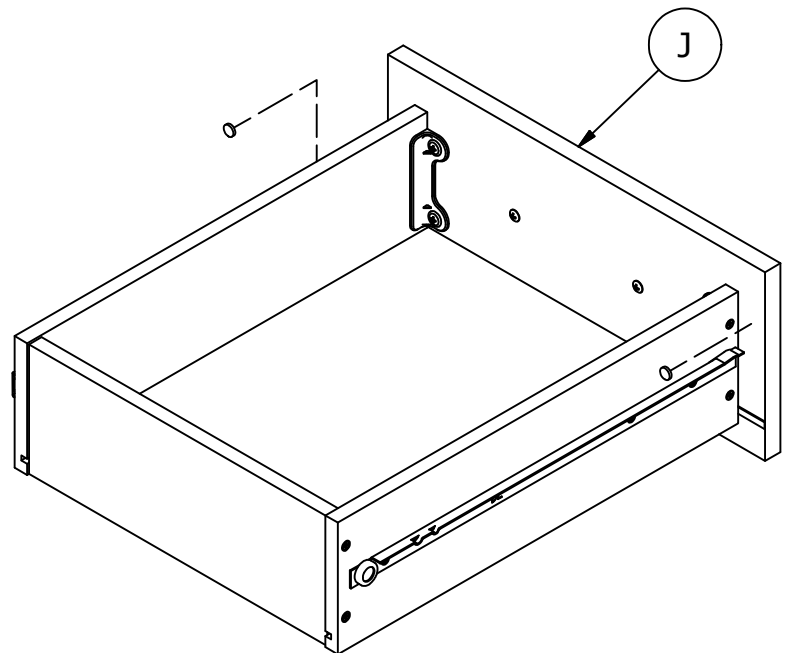
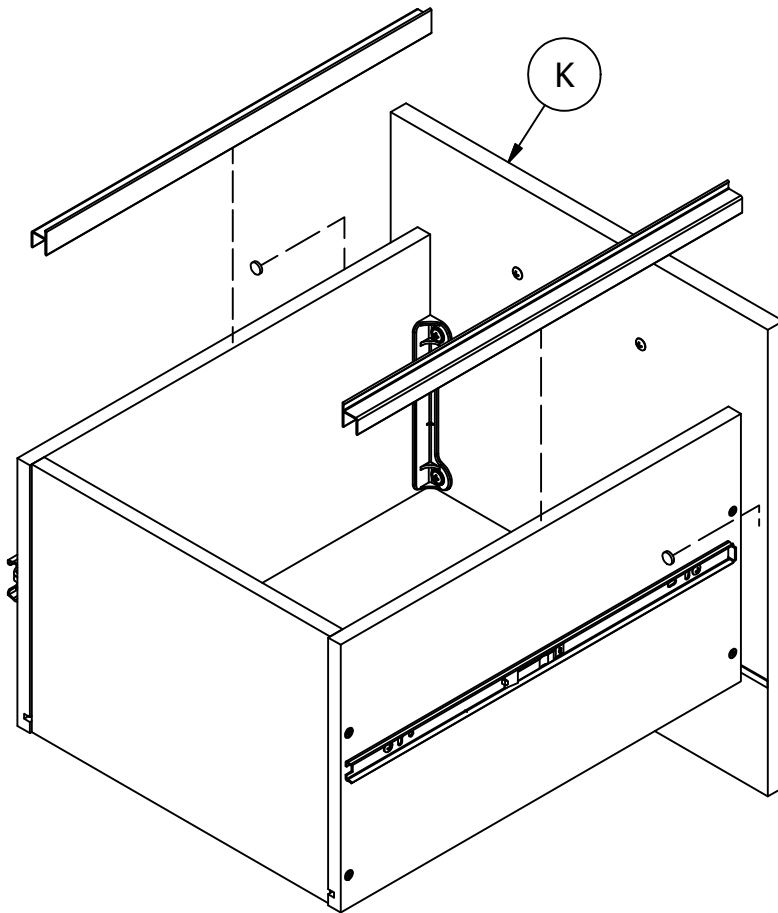
[ 2 ]

H215406



Bumper

[ 4 ]





Have an assembly question or need a replacement part? Just call  
**1-800-950-4782**, we are here to help.

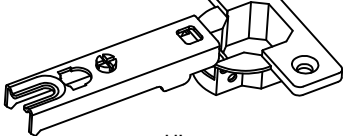
# STEP 10


## Prepare Panel

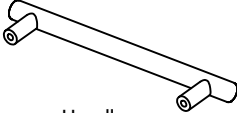
A186366H

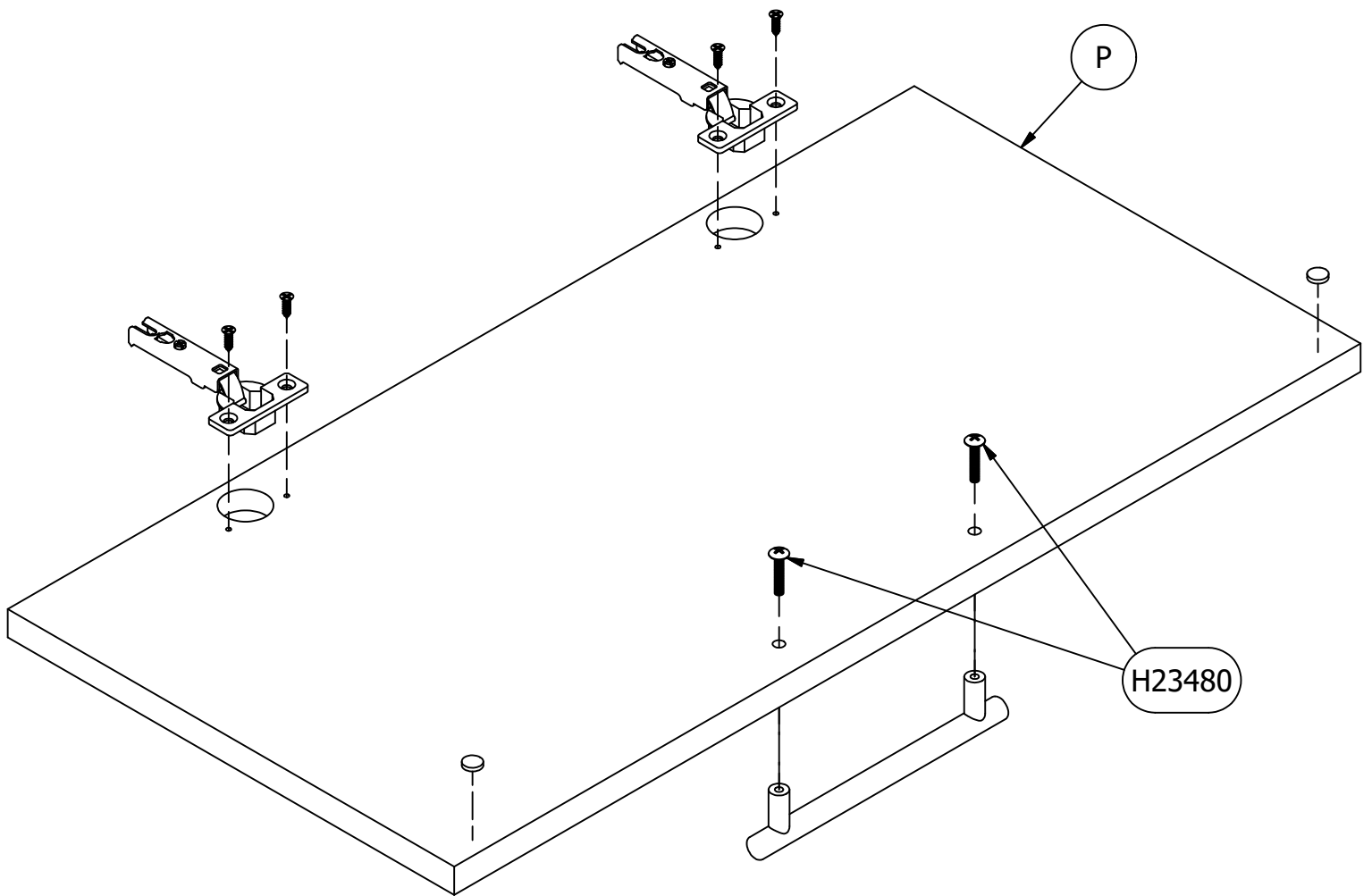
H23480  [ 2 ]  
#8-32 x 7/8"

H215406  [ 2 ]  
Bumper

H126359  [ 2 ]  
Hinge

H28917  [ 4 ]  
#6 x 1/2" Silver

 [ 1 ]  
Handle



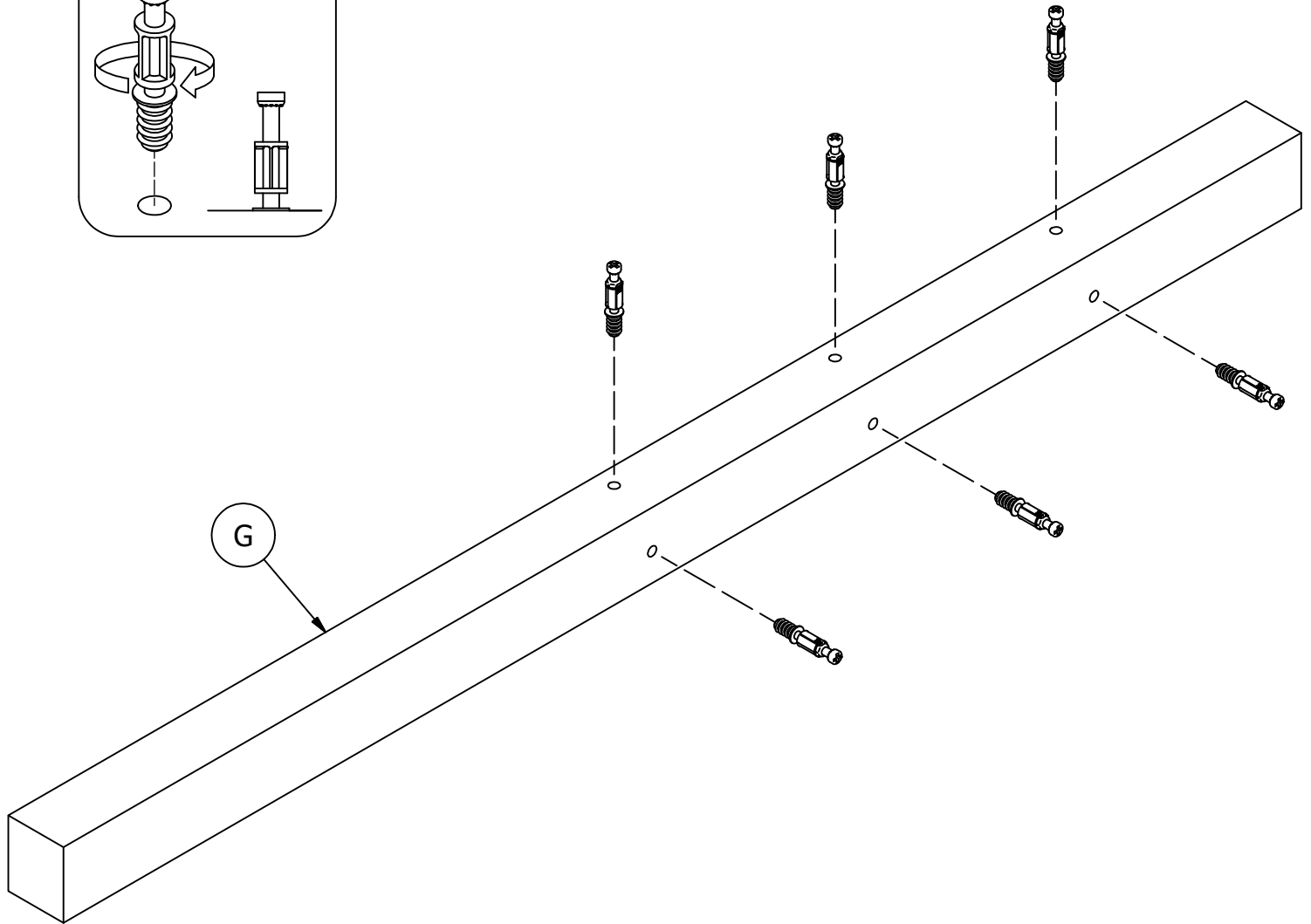
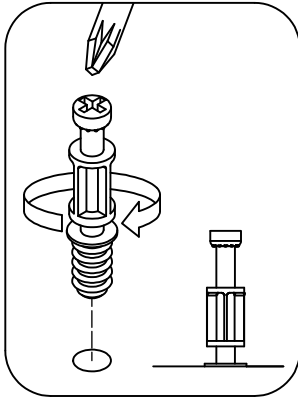
Have an assembly question or need a replacement part? Just call  
**1-800-950-4782**, we are here to help.

# STEP 11

# Prepare Panel

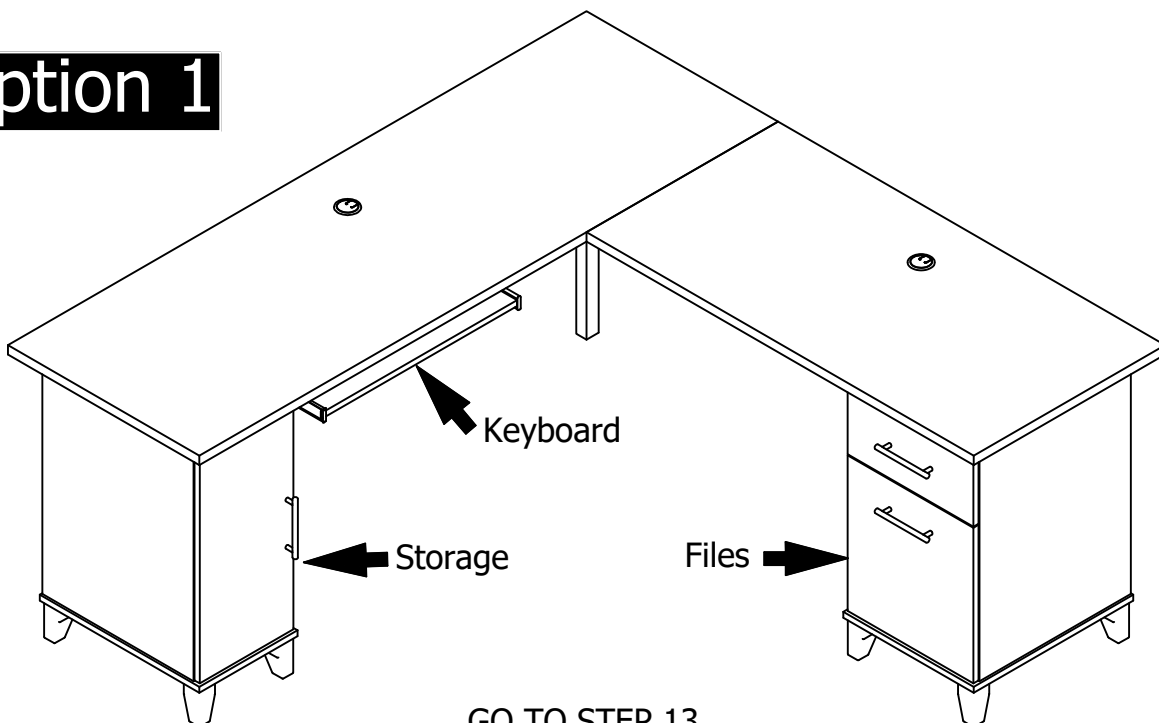
A186366H

H72988 [ 6 ]  
KD Bolt



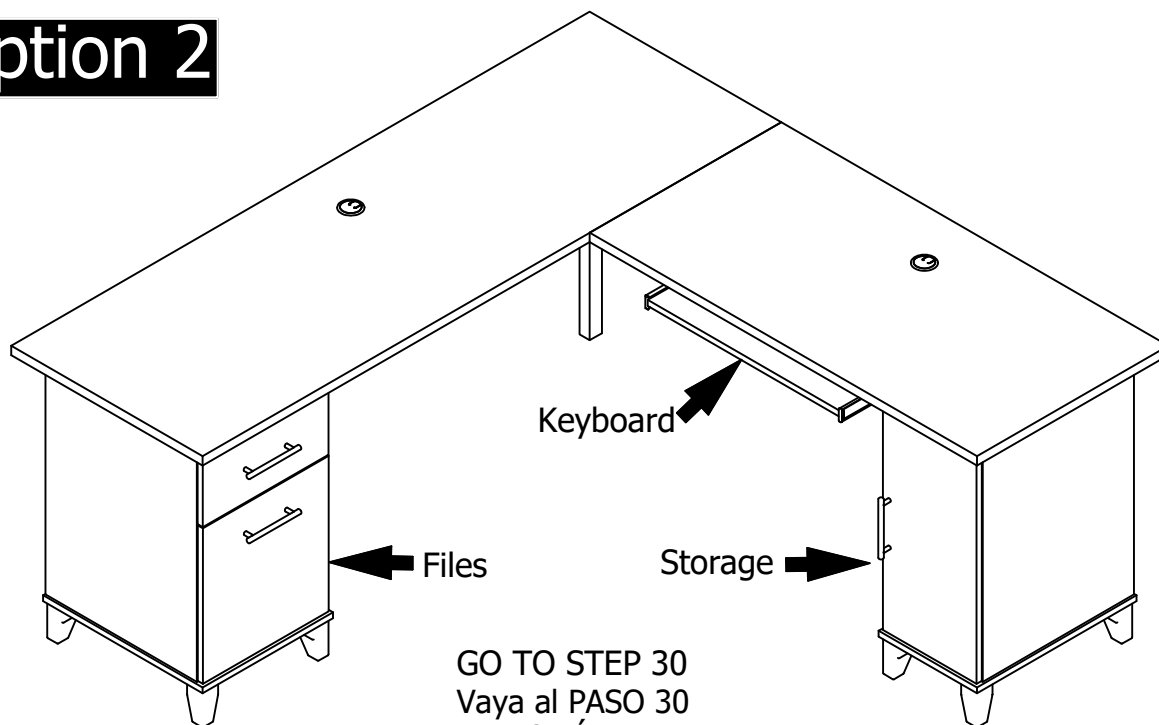
Have an assembly question or need a replacement part? Just call  
**1-800-950-4782**, we are here to help.

**Option 1**



GO TO STEP 13  
Vaya al PASO 13  
Allez à l'ÉTAPE 13

**Option 2**

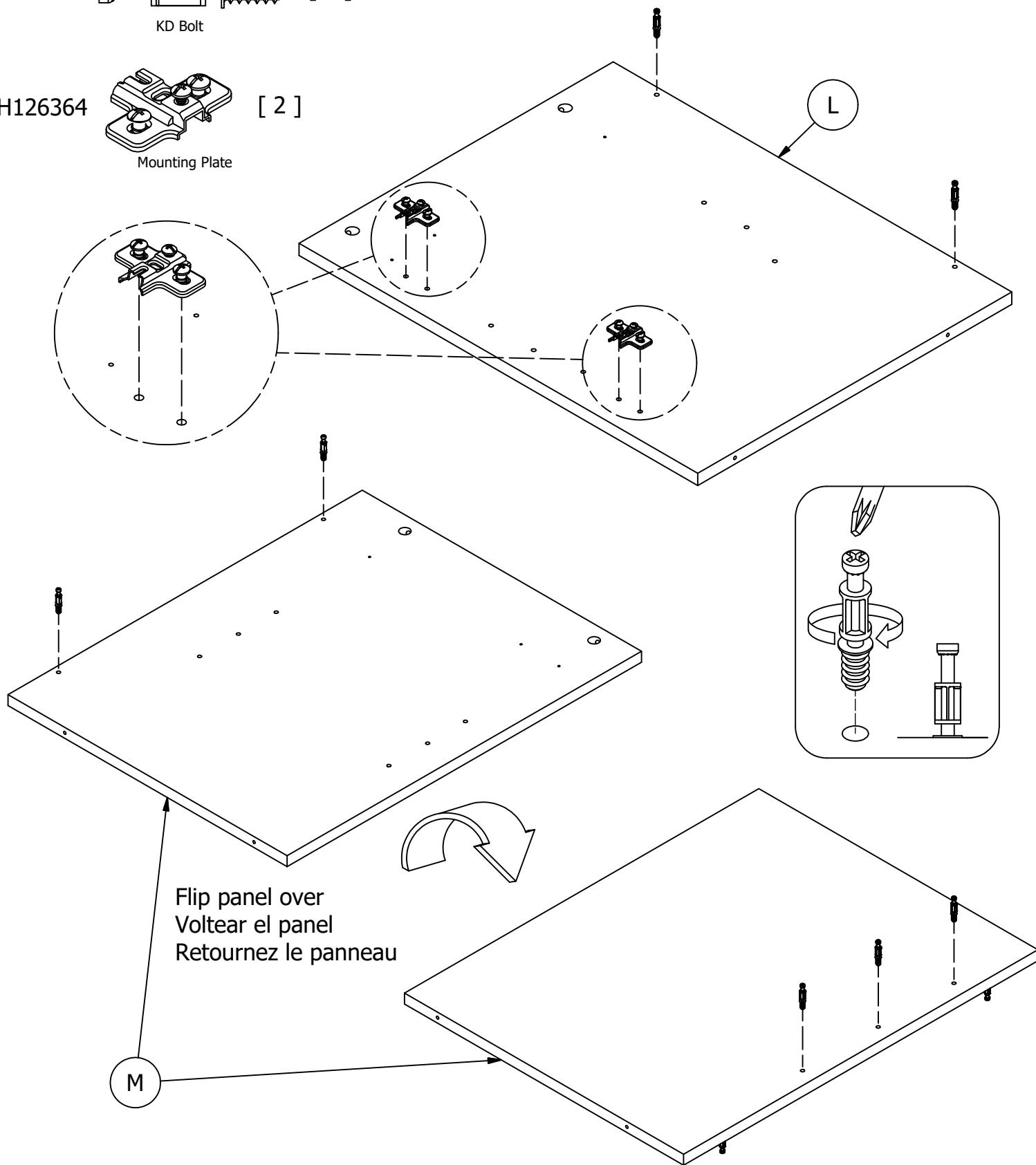


GO TO STEP 30  
Vaya al PASO 30  
Allez à l'ÉTAPE 30

Have an assembly question or need a replacement part? Just call  
**1-800-950-4782**, we are here to help.

H72988 [ 7 ]  
KD Bolt

H126364 [ 2 ]  
Mounting Plate



Flip panel over  
Voltear el panel  
Retournez le panneau

Have an assembly question or need a replacement part? Just call  
**1-800-950-4782**, we are here to help.

# STEP 14

# Assemble Panels

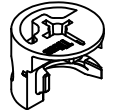
A186366H

Scan QR Code to Watch Video on:

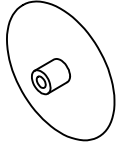


How to Tighten KD Cams

H181468US



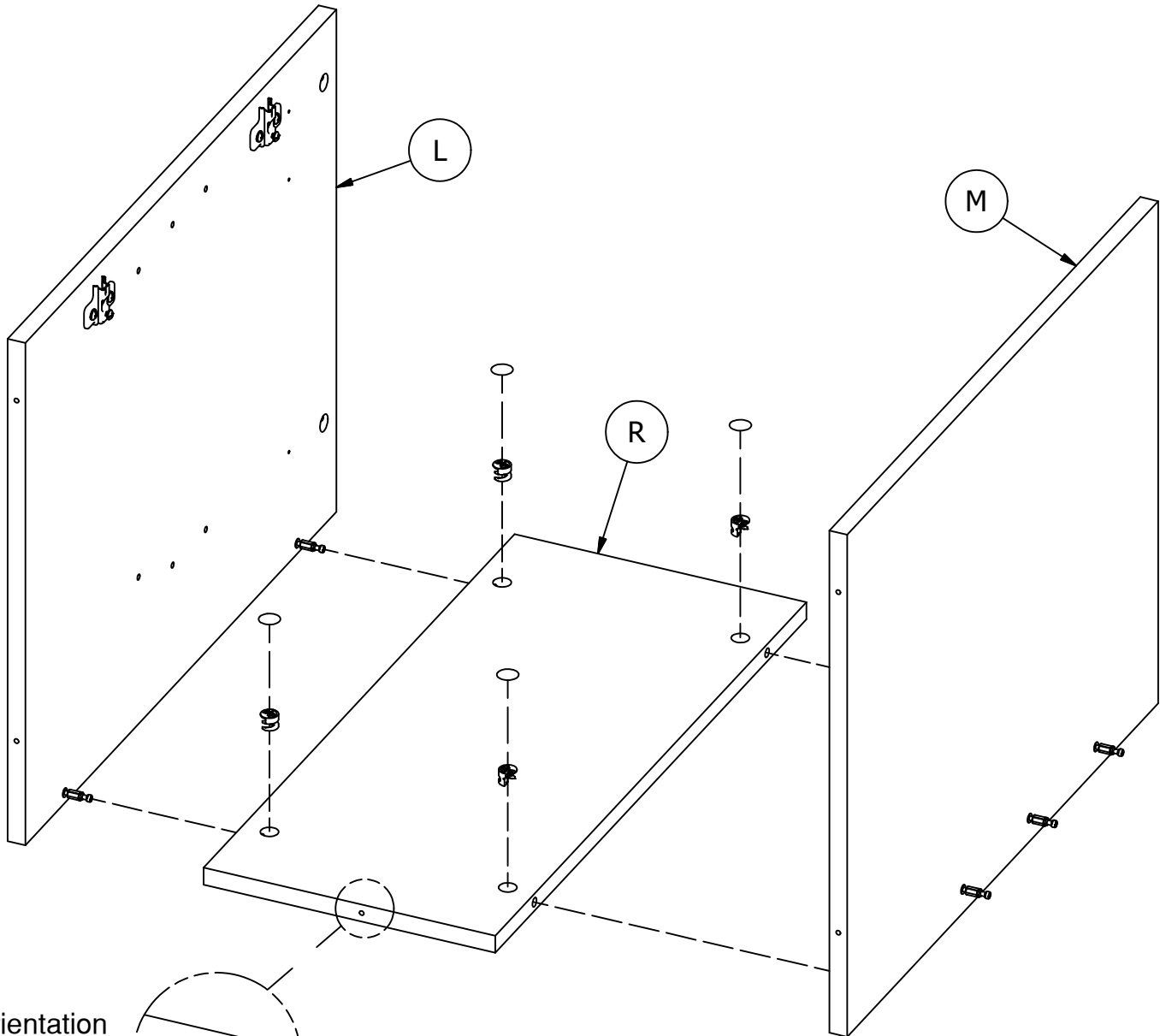
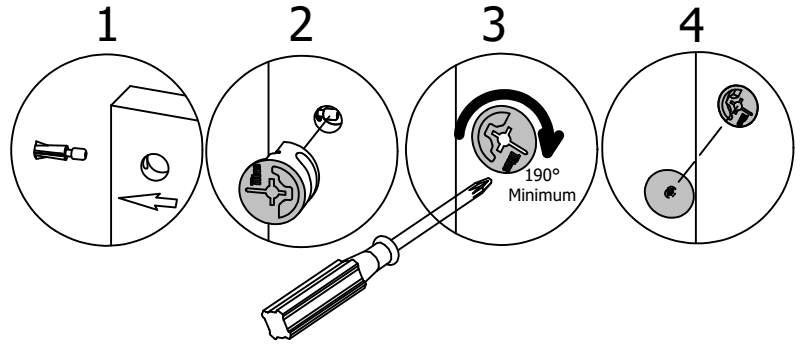
KD Cam3000



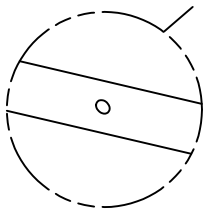
Cover Cap

[ 4 ]

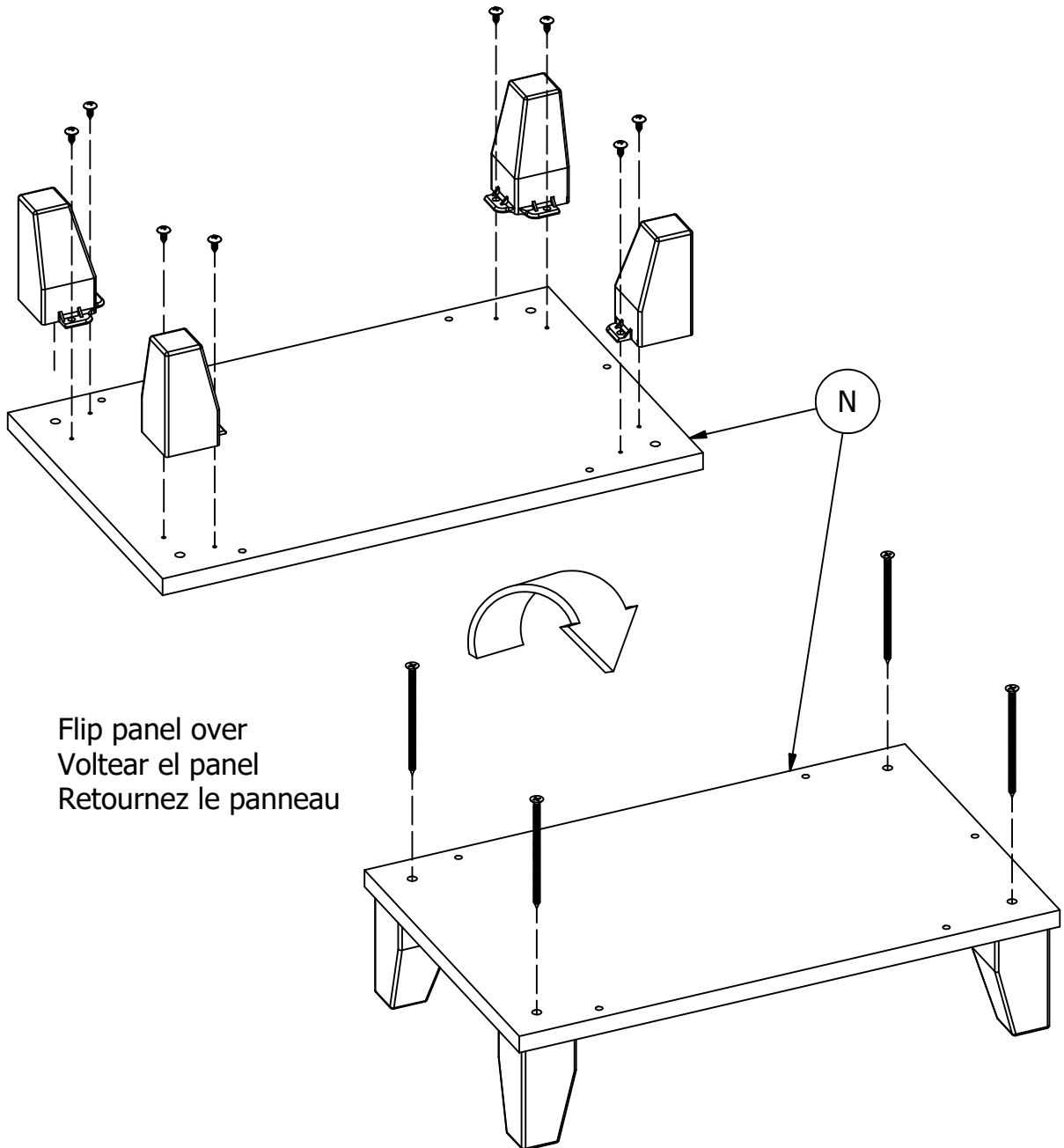
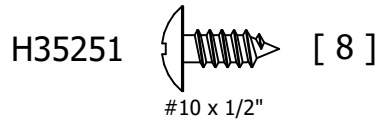
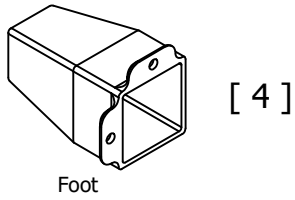
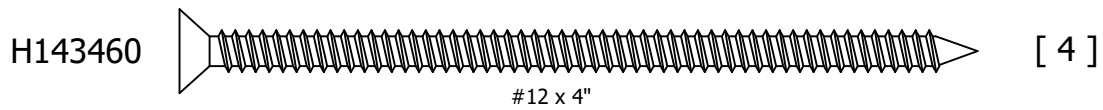
[ 4 ]



Orientation  
Orientación  
L'orientation



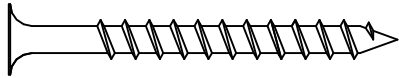
Have an assembly question or need a replacement part? Just call **1-800-950-4782**, we are here to help.



Flip panel over  
Voltear el panel  
Retournez le panneau

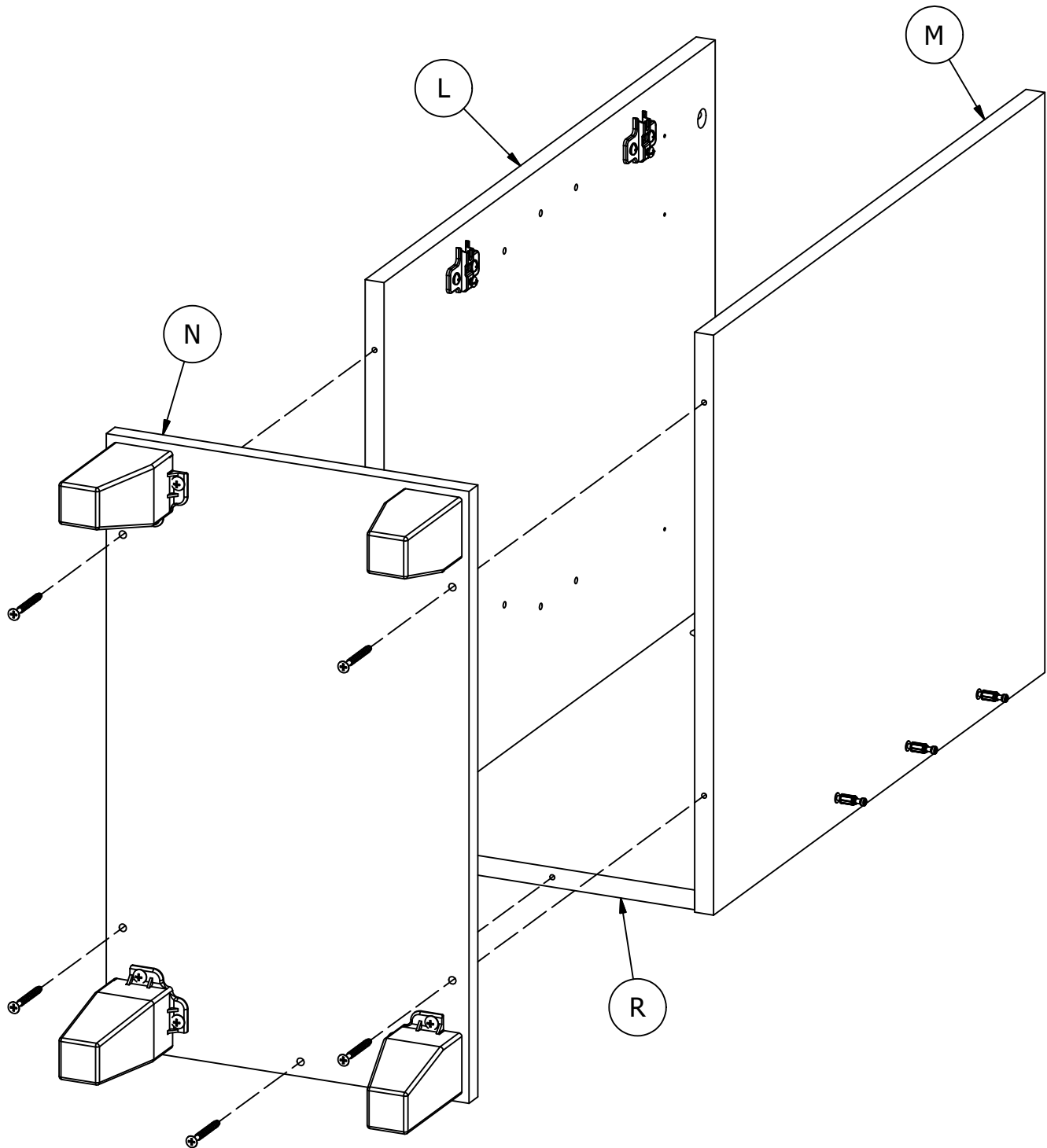


H23491



[ 5 ]

#10 x 2"



Have an assembly question or need a replacement part? Just call  
**1-800-950-4782**, we are here to help.

# STEP 17

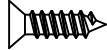
## Prepare Panel


A186366H

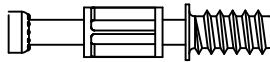
Scan QR Code to Watch Video on:

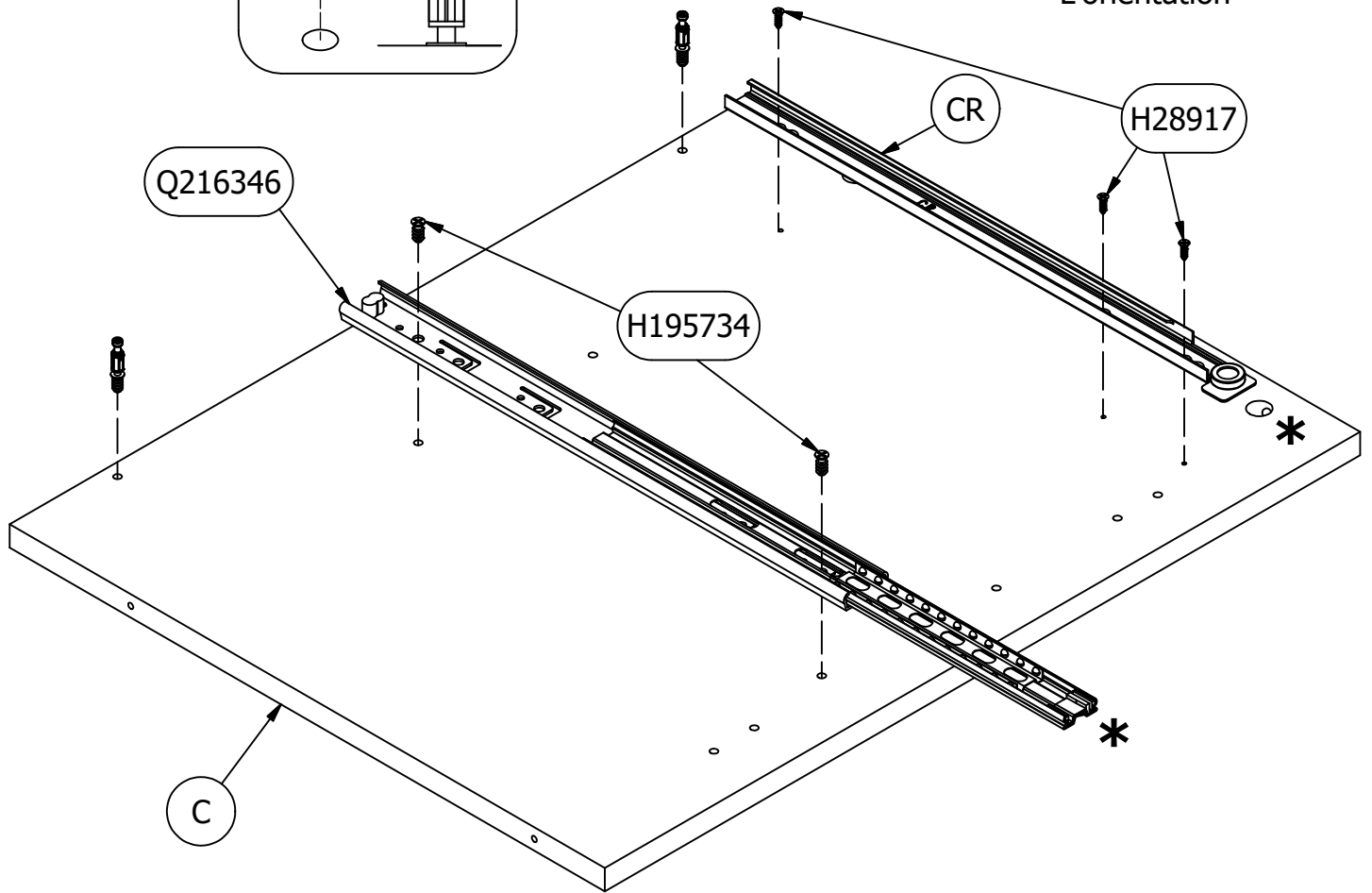
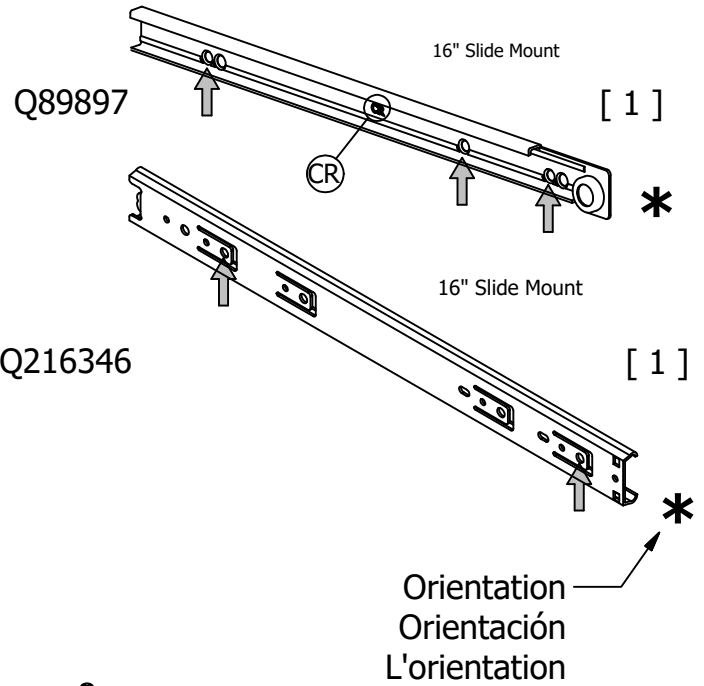
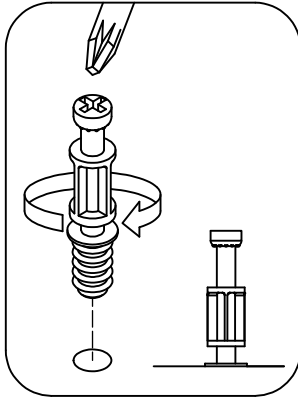


How to Separate and Install Drawer Slides

H28917  [ 3 ]  
#6 x 1/2" Silver

H195734  [ 2 ]  
M6.3 X 13MM

H72988  [ 2 ]  
KD Bolt



Have an assembly question or need a replacement part? Just call **1-800-950-4782**, we are here to help.

# STEP 18


# Prepare Panel


A186366H

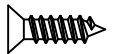
Scan QR Code to Watch Video on:

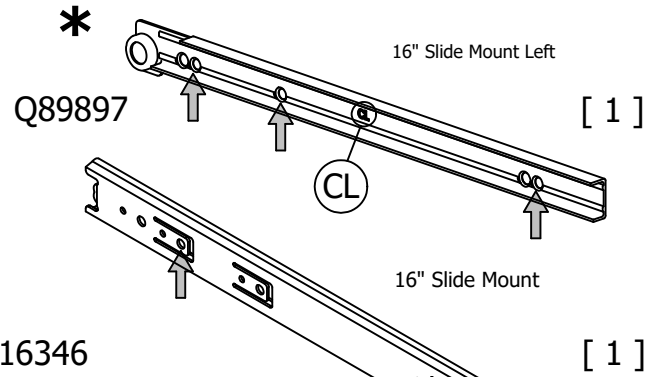


How to Separate and Install Drawer Slides

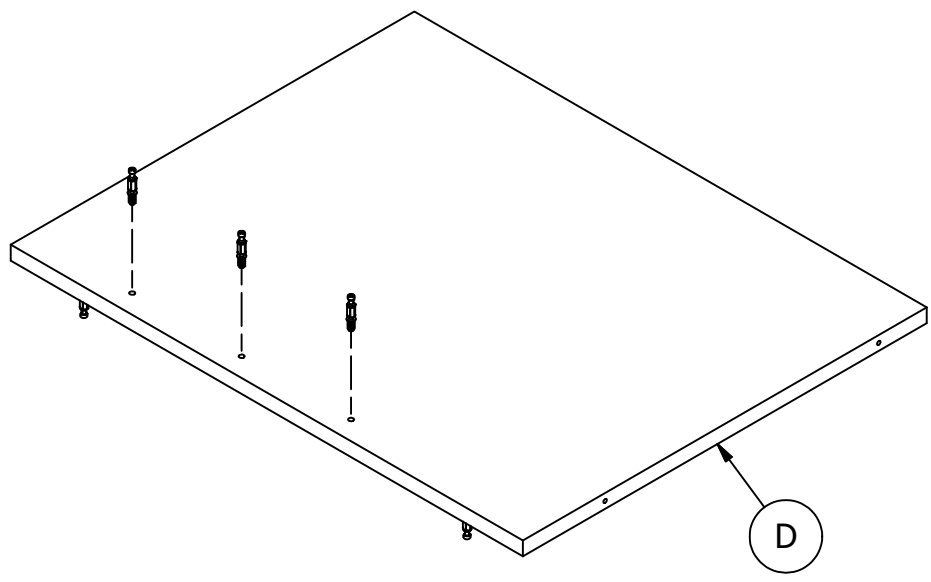
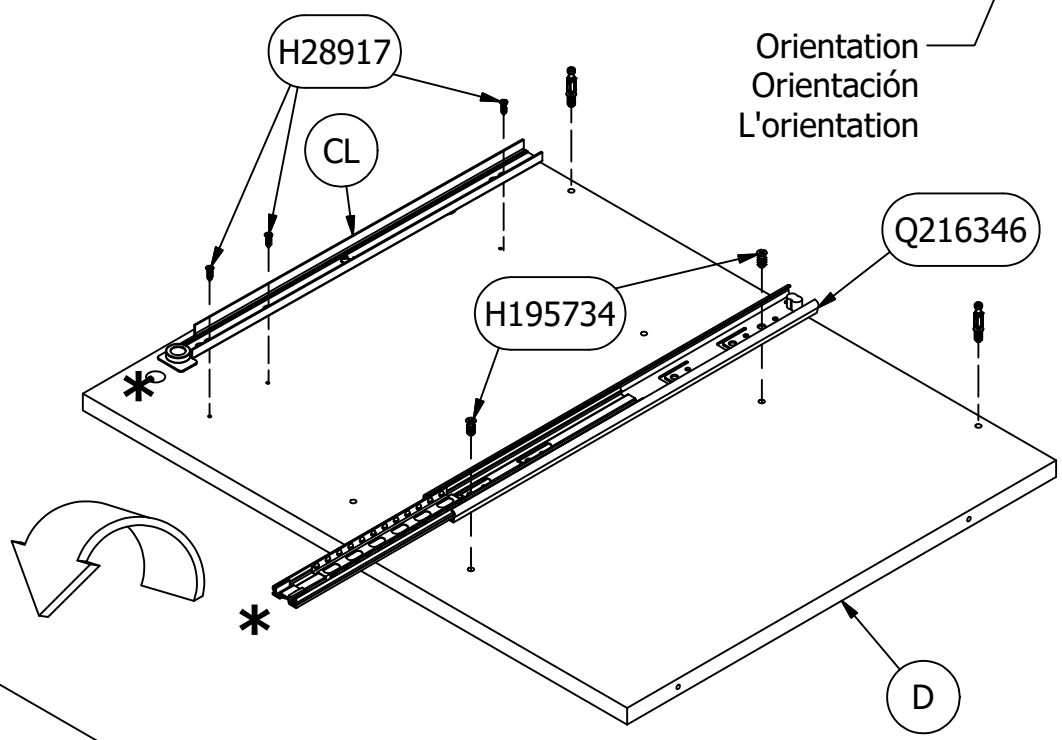
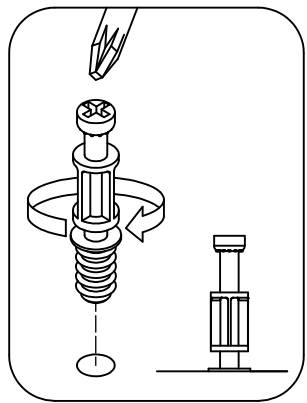
H72988  [ 5 ]  
KD Bolt

H195734  [ 2 ]  
M6.3 X 13MM

H28917  [ 3 ]  
#6 x 1/2" Silver



Orientation  
Orientación  
L'orientation



Flip panel over  
Voltear el panel  
Retournez le panneau

Have an assembly question or need a replacement part? Just call **1-800-950-4782**, we are here to help.

# STEP 19

# Assemble Panels

A186366H

Scan QR Code to Watch Video on:

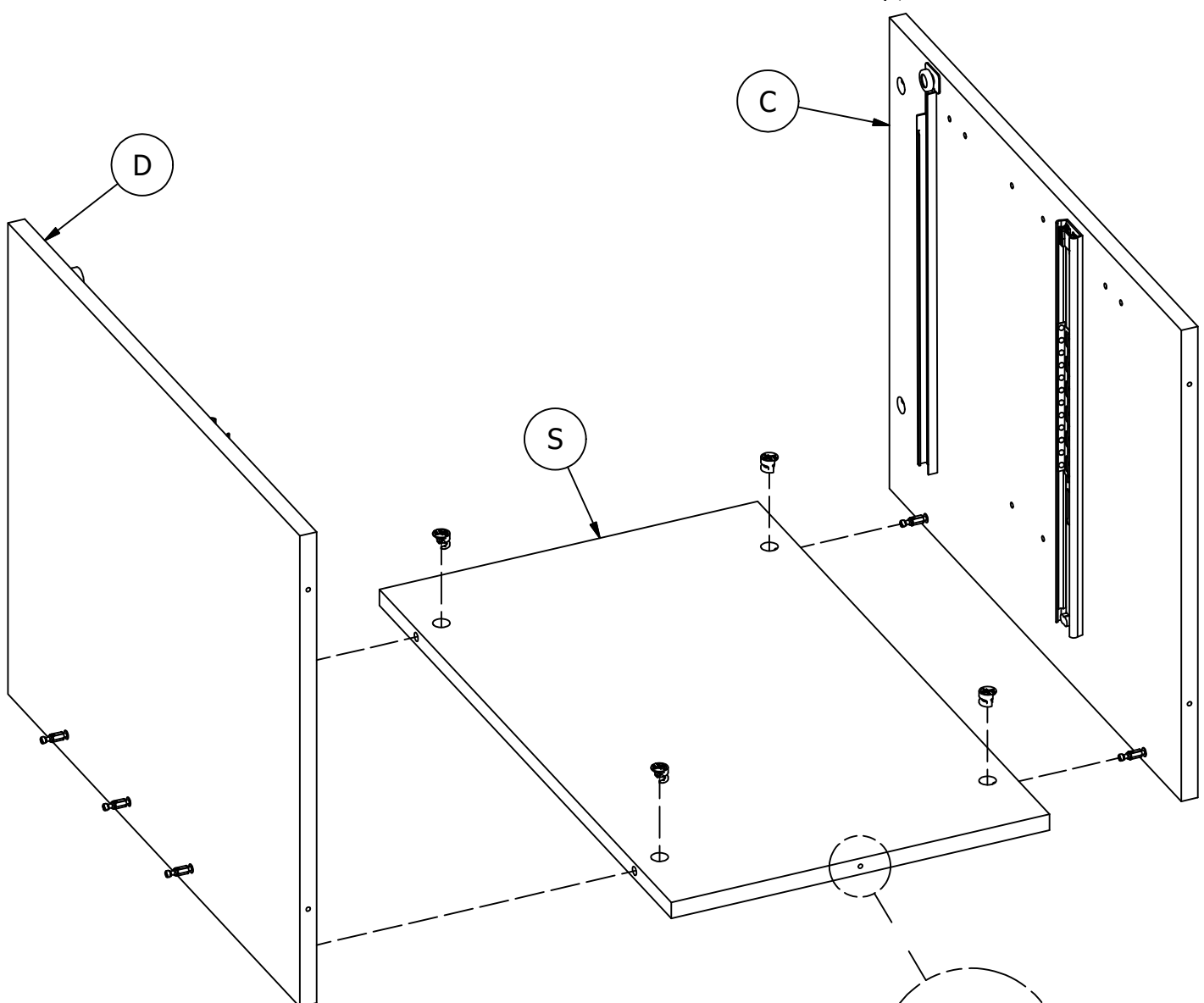
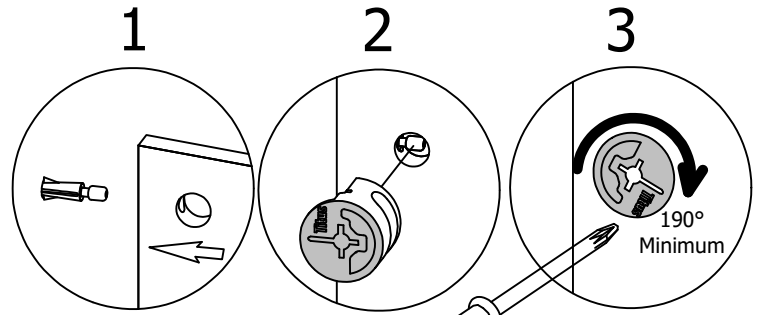


How to Tighten KD Cams

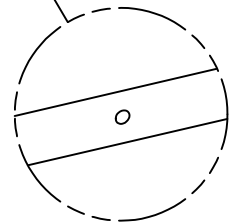
H181468US



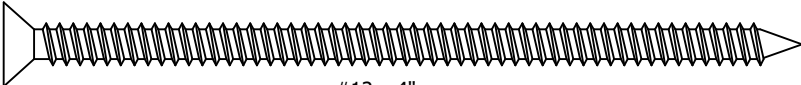
[ 4 ]

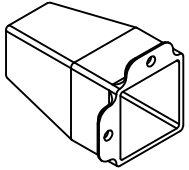


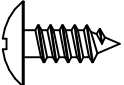
Orientation  
Orientación  
L'orientation

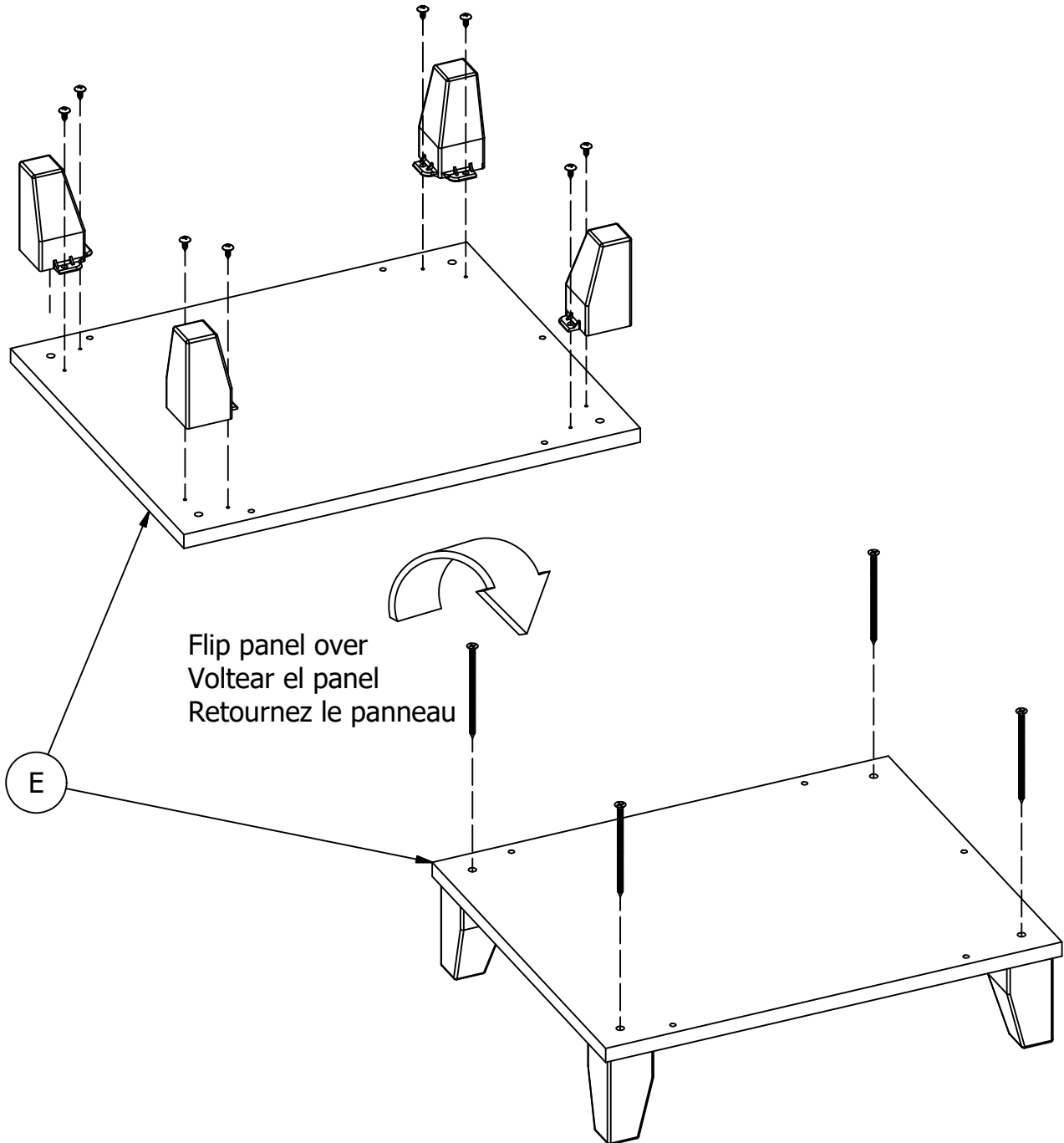


Have an assembly question or need a replacement part? Just call **1-800-950-4782**, we are here to help.

H143460  [ 4 ]  
#12 x 4"

 [ 4 ]  
Foot

H35251  [ 8 ]  
#10 x 1/2"



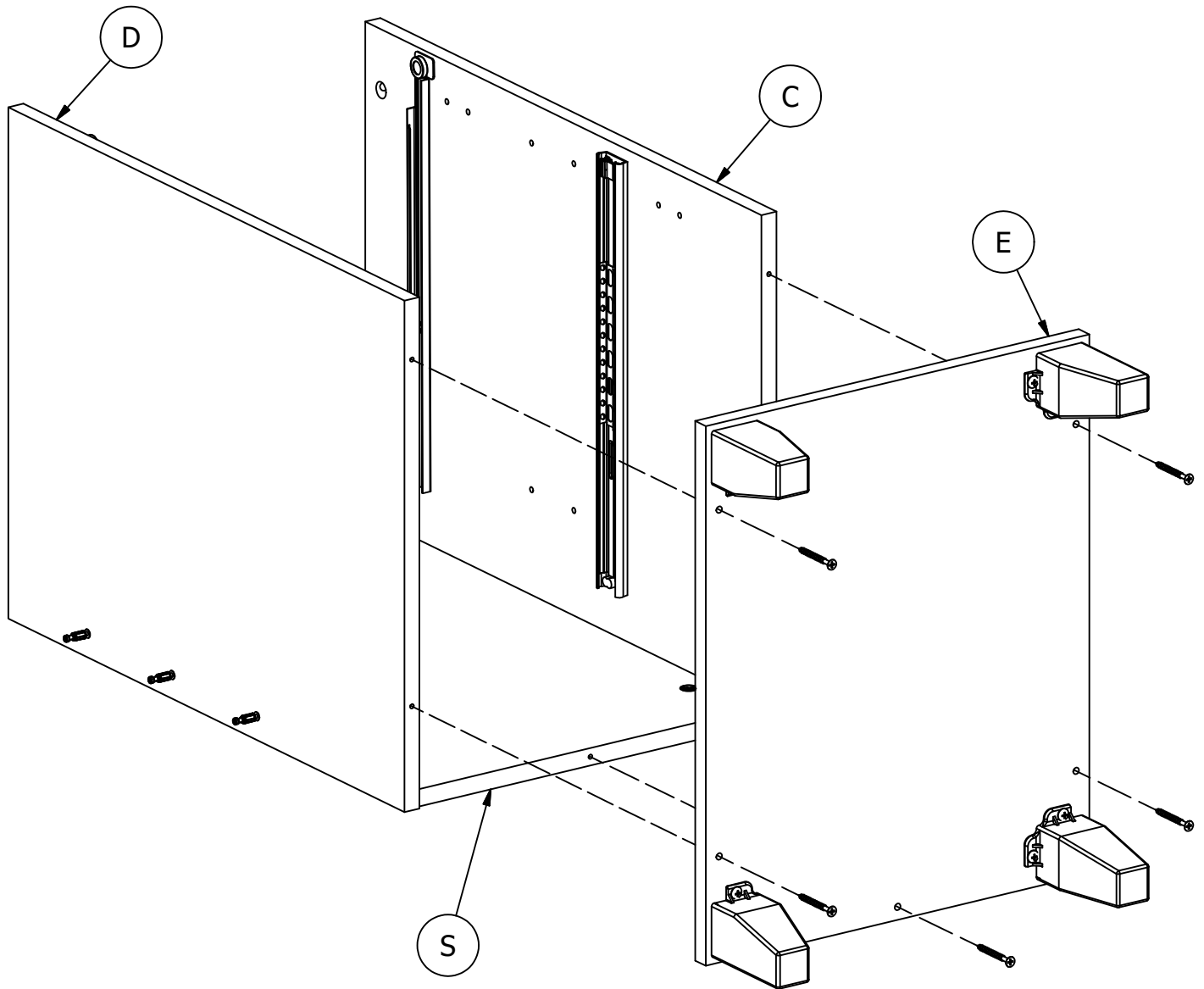
Have an assembly question or need a replacement part? Just call  
**1-800-950-4782**, we are here to help.

H23491



[ 5 ]

#10 x 2"



Have an assembly question or need a replacement part? Just call  
**1-800-950-4782**, we are here to help.

# STEP 22

# Assemble Panels

A186366H

Scan QR Code to Watch Video on:



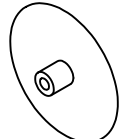
How to Tighten KD Cams

H181468US



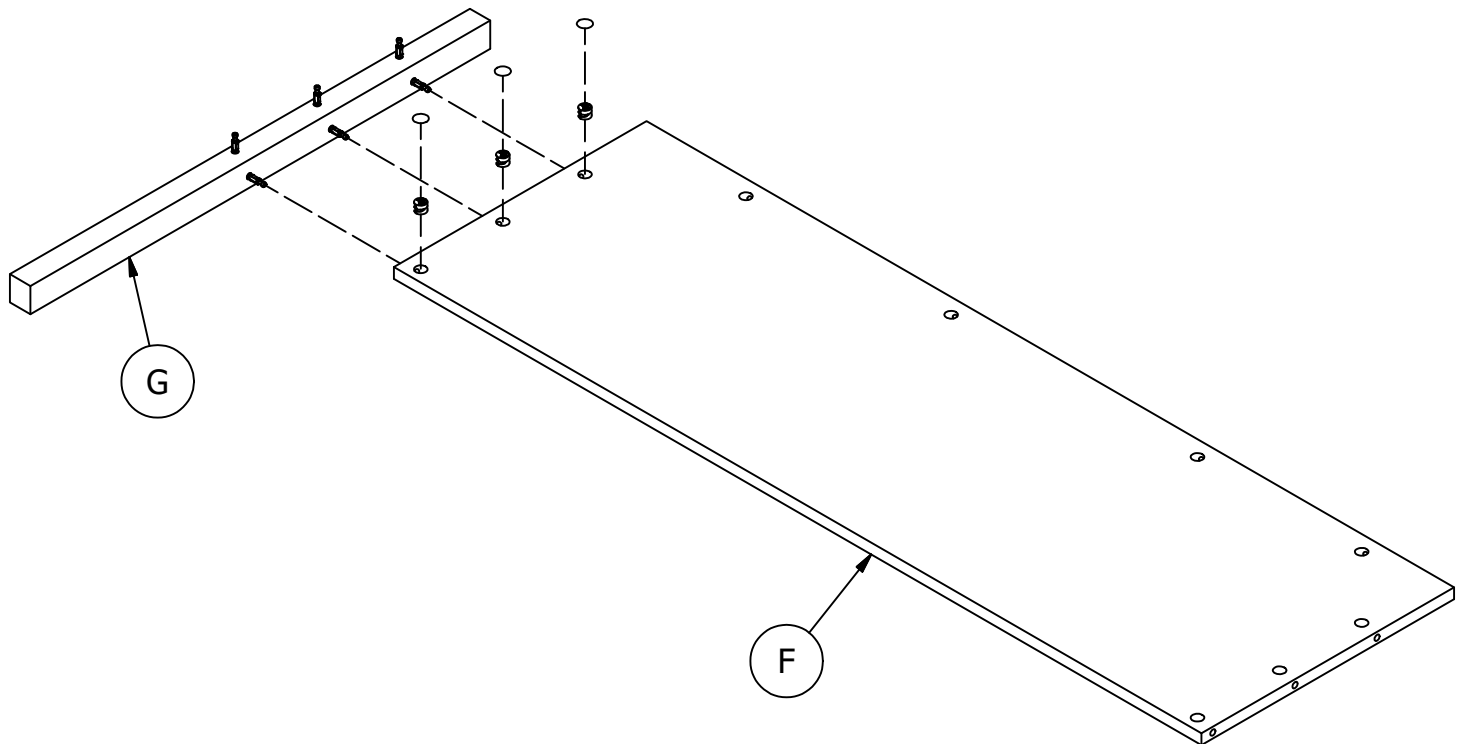
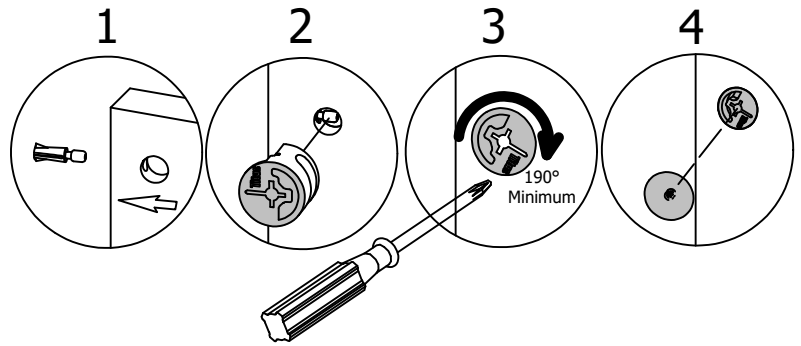
KD Cam3000

[ 3 ]



Cover Cap

[ 3 ]



Have an assembly question or need a replacement part? Just call **1-800-950-4782**, we are here to help.

# STEP 23

## Assemble Panels

A186366H

Scan QR Code to Watch Video on:

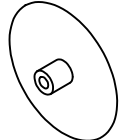


How to Tighten KD Cams

H181468US



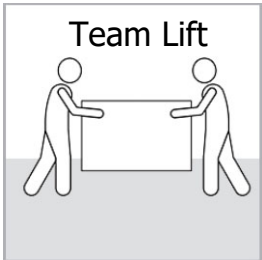
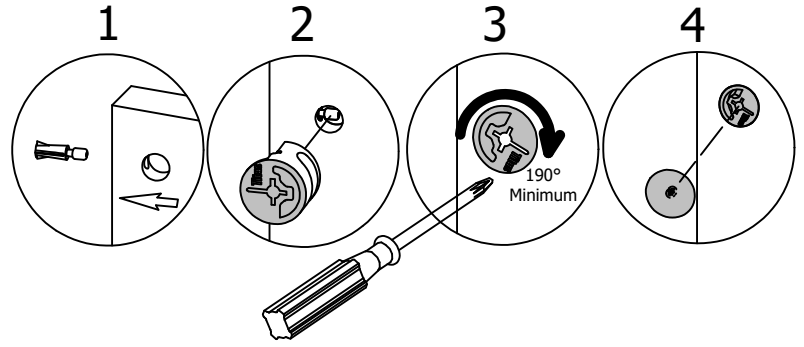
KD Cam3000



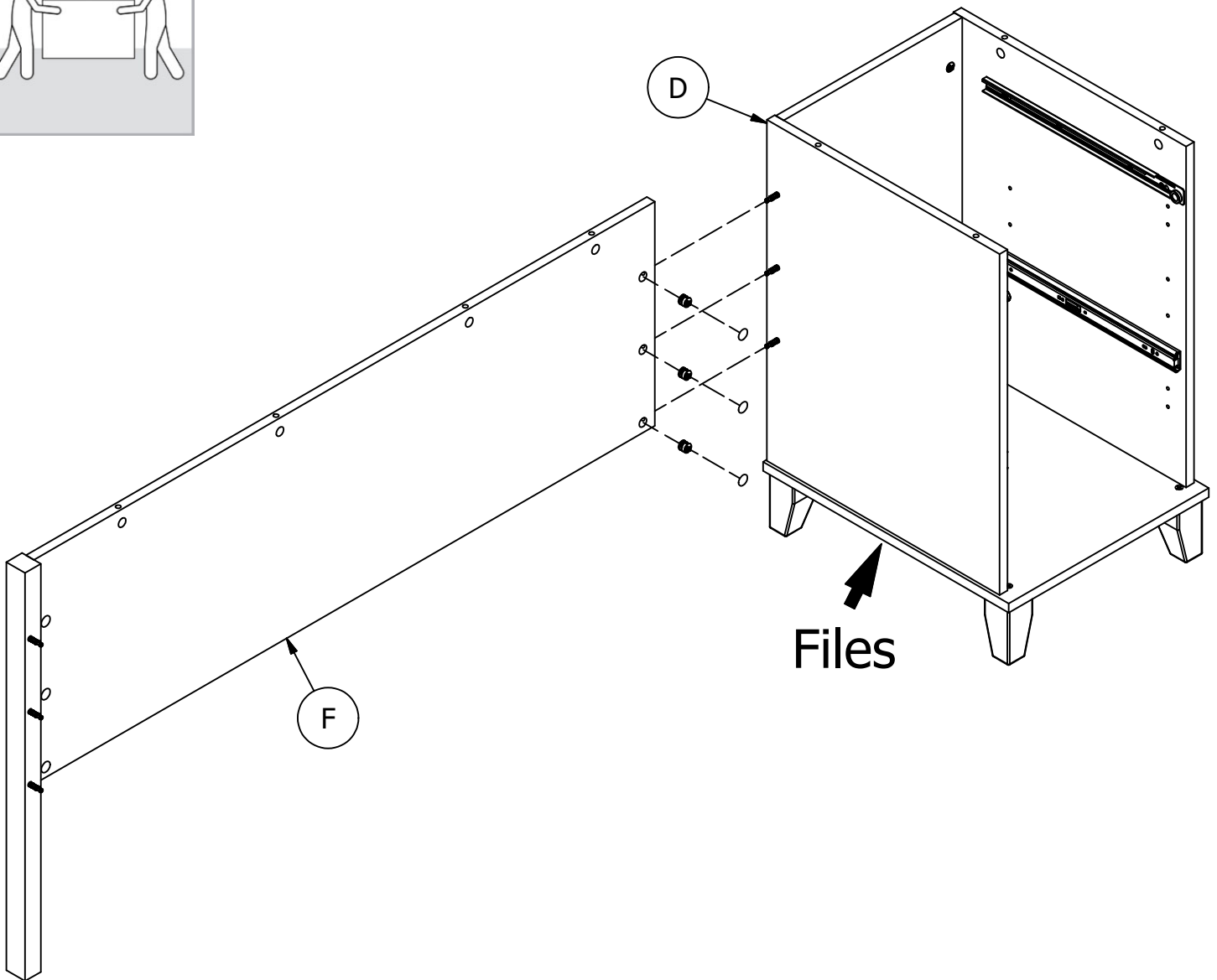
Cover Cap

[ 3 ]

[ 3 ]



Team Lift



Have an assembly question or need a replacement part? Just call **1-800-950-4782**, we are here to help.



# STEP 24

# Assemble Panels

A186366H

Scan QR Code to Watch Video on:



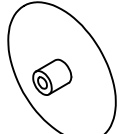
How to Tighten KD Cams

H181468US



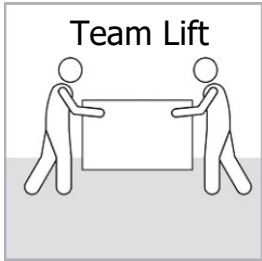
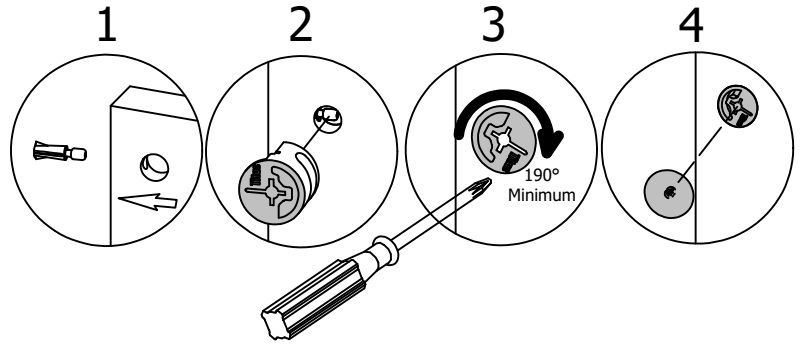
KD Cam3000

[ 6 ]

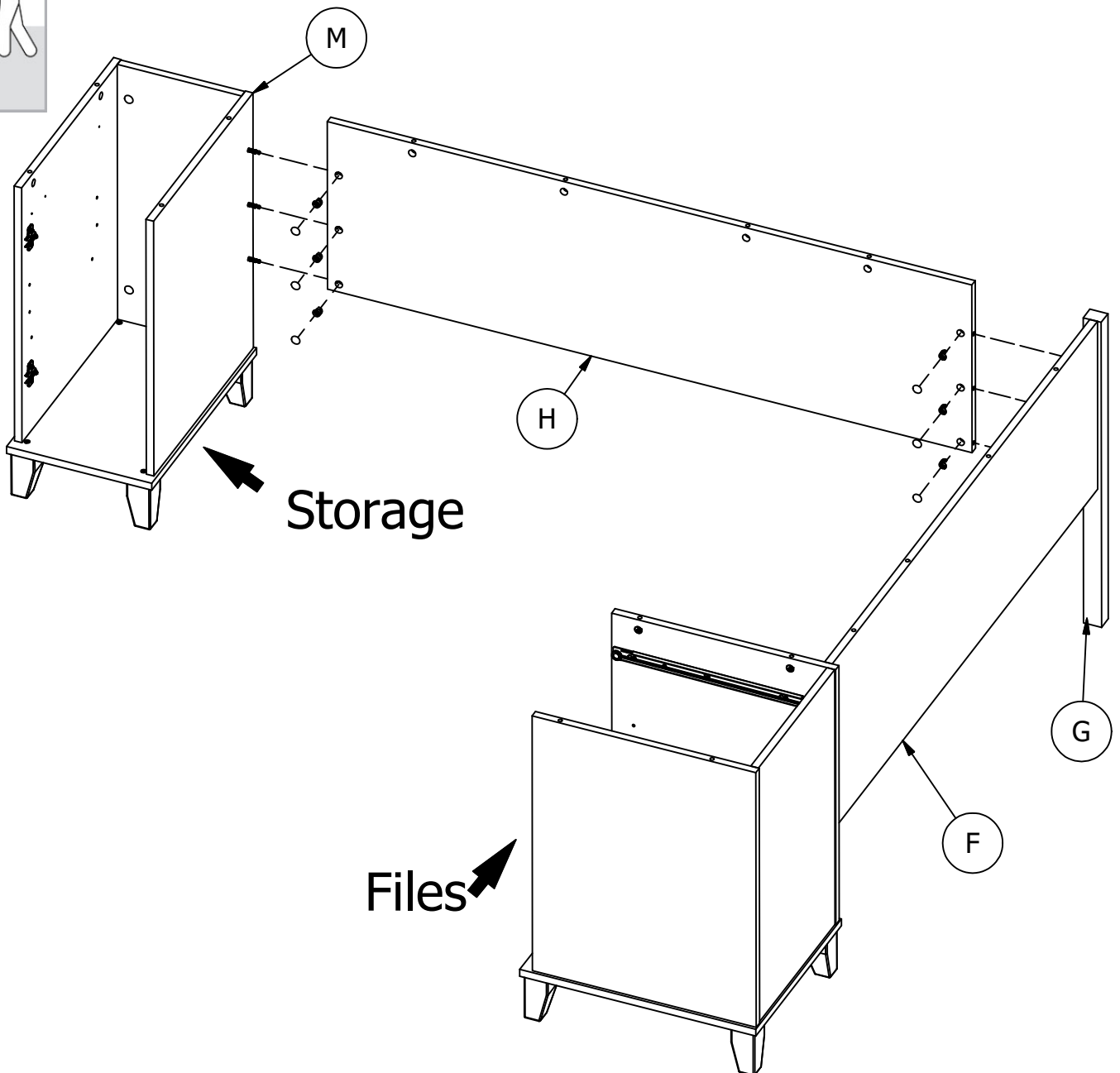


Cover Cap

[ 6 ]



Team Lift

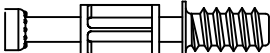


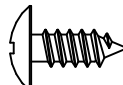
Have an assembly question or need a replacement part? Just call **1-800-950-4782**, we are here to help.

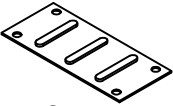
# STEP 25

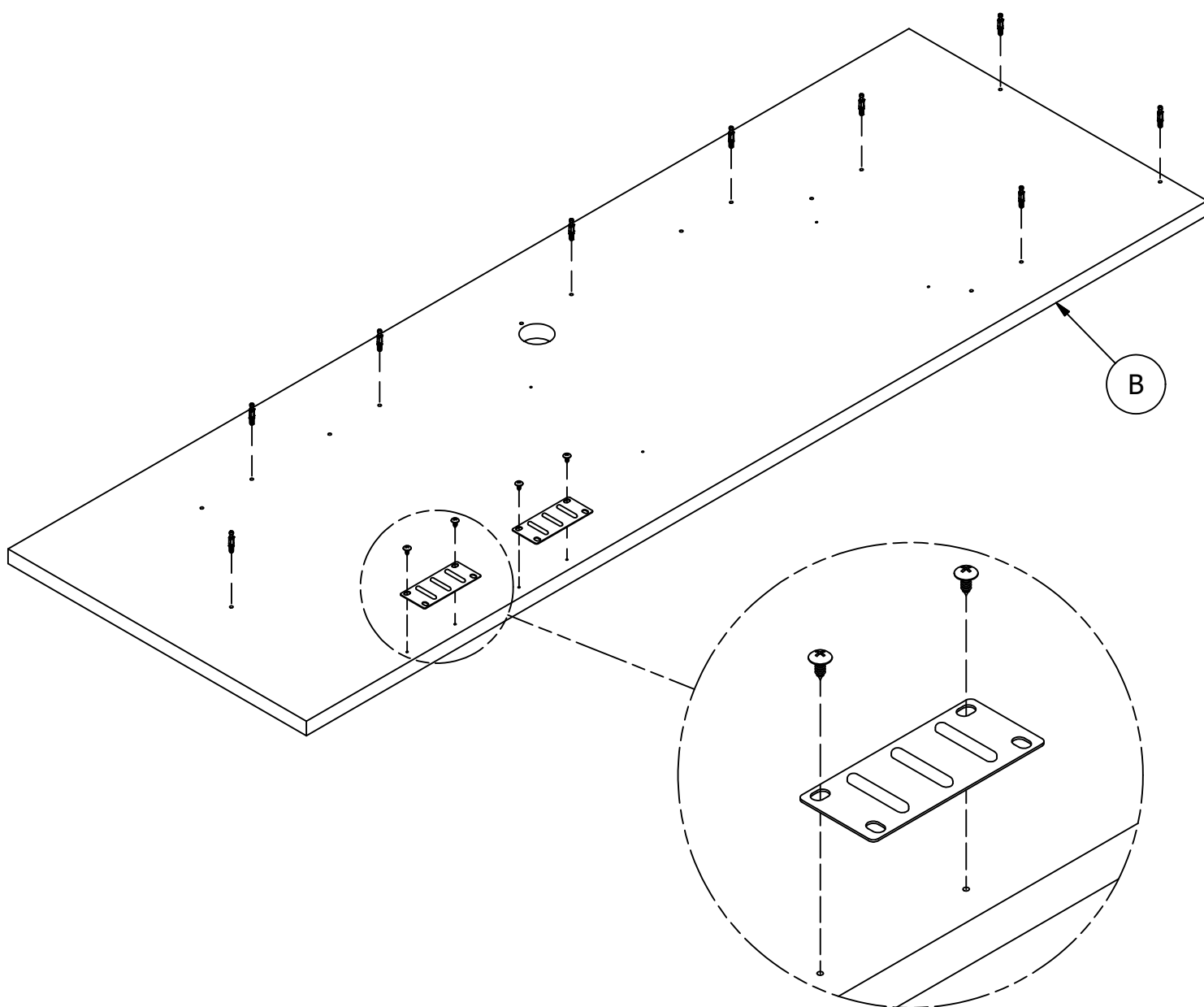
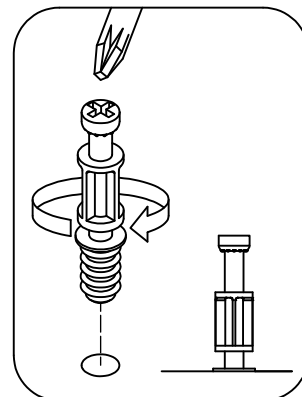
# Prepare Panel

A186366H

H72988  [ 9 ]  
KD Bolt

H35251  [ 4 ]  
#10 x 1/2"

H39922  [ 2 ]  
Strap

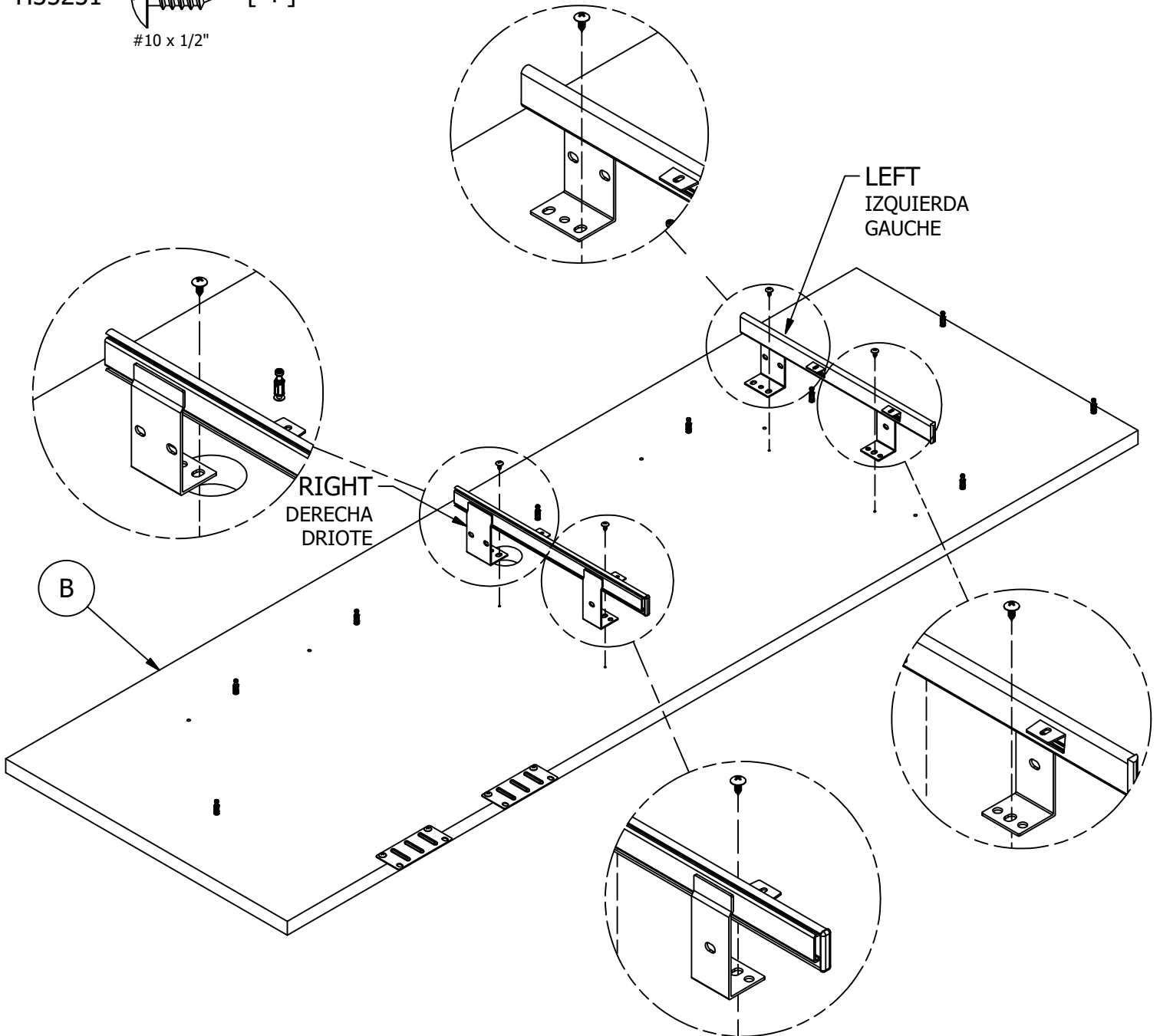
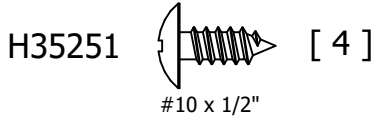
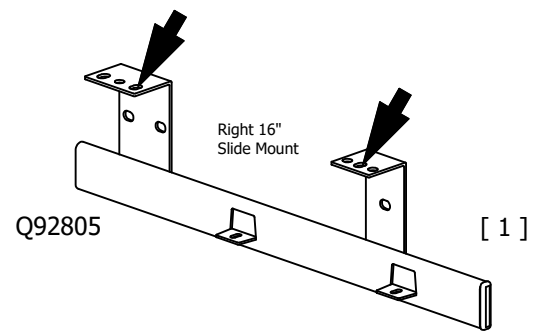
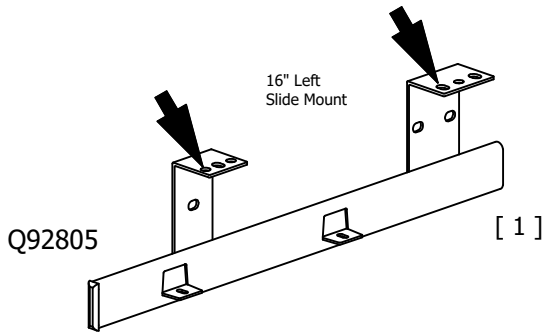


Have an assembly question or need a replacement part? Just call  
**1-800-950-4782**, we are here to help.

# STEP 26

# Attach Hardware

A186366H



Have an assembly question or need a replacement part? Just call  
**1-800-950-4782**, we are here to help.

# STEP 27

# Attach Panel

A186366H

Scan QR Code to Watch Video on:



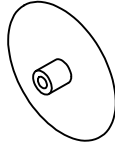
How to Tighten KD Cams

H181468US



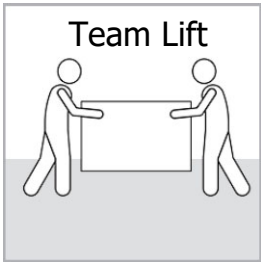
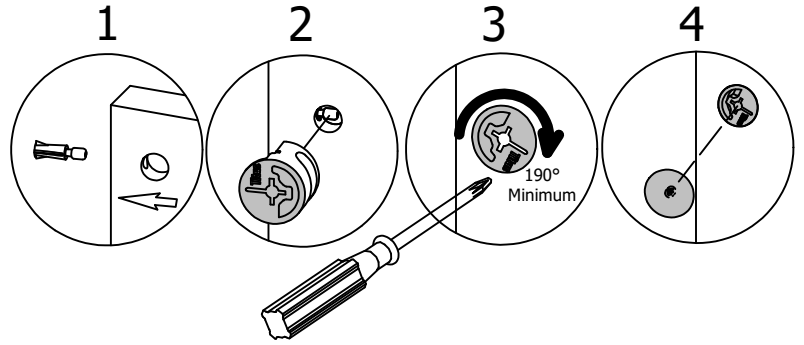
KD Cam3000

[ 9 ]

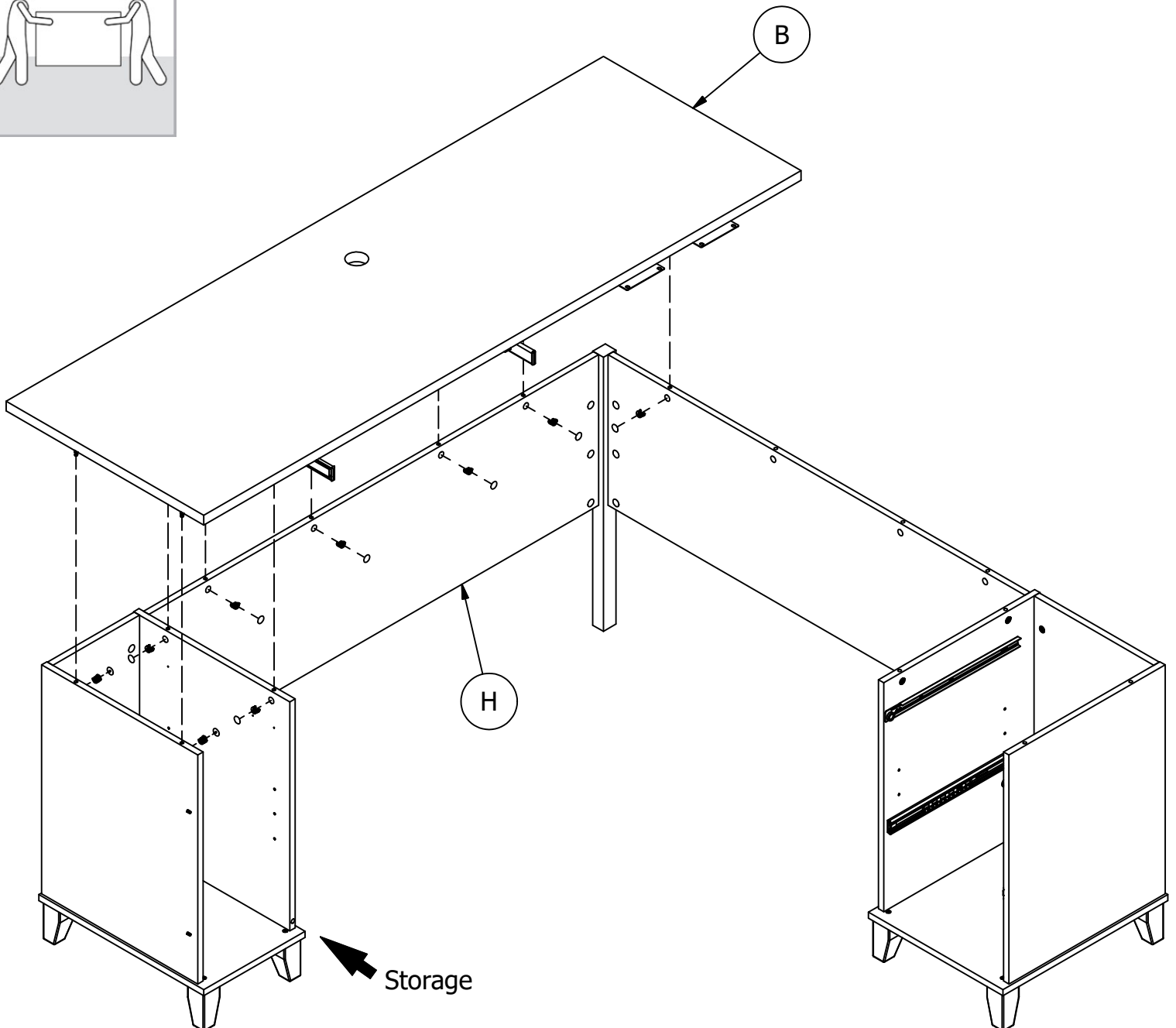


Cover Cap

[ 9 ]



Team Lift



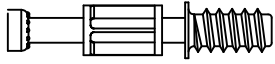
Have an assembly question or need a replacement part? Just call **1-800-950-4782**, we are here to help.

# STEP 28

# Prepare Panel

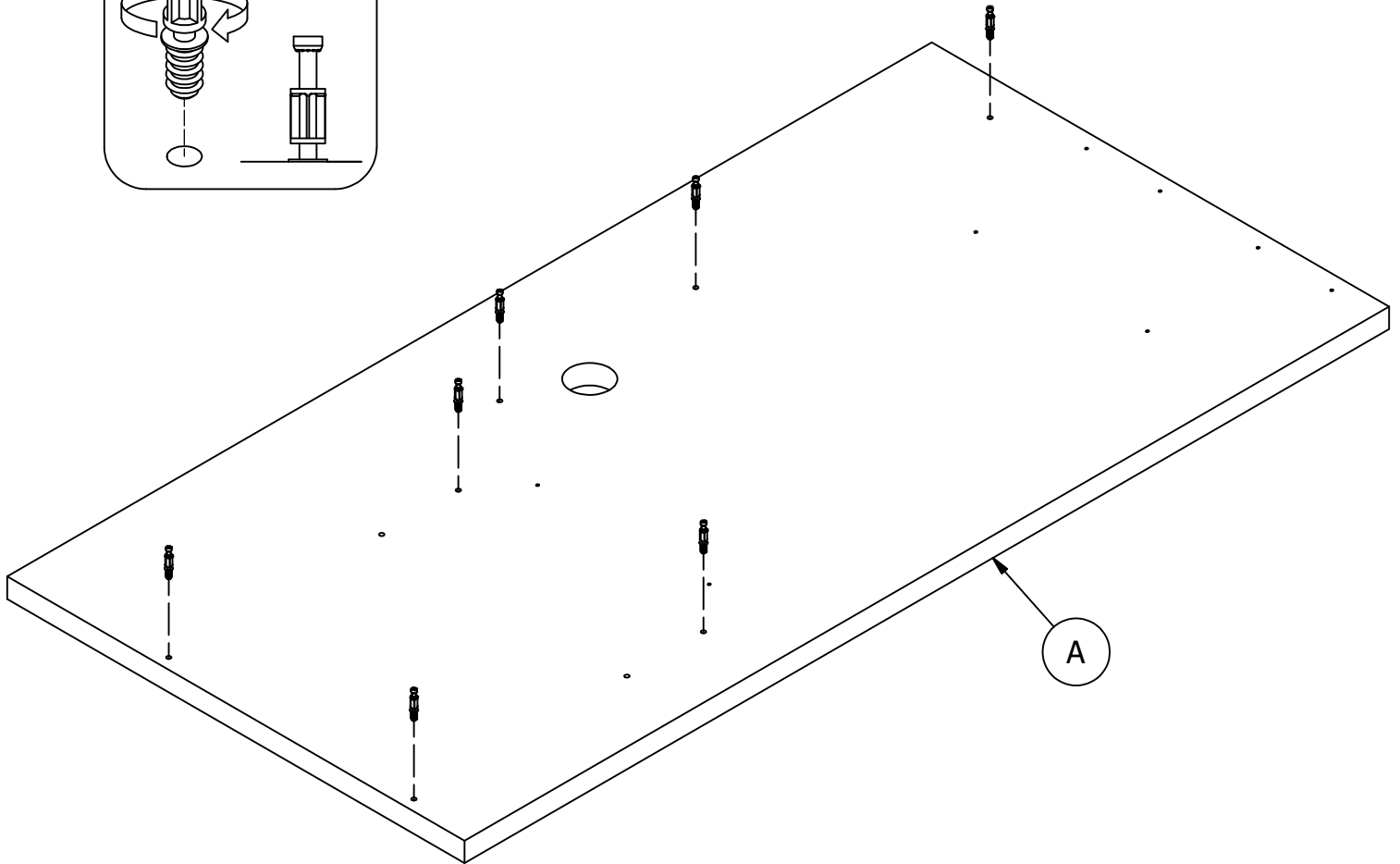
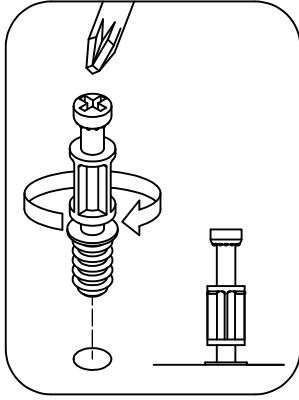
A186366H

H72988



[ 7 ]

KD Bolt



Have an assembly question or need a replacement part? Just call  
**1-800-950-4782**, we are here to help.

# STEP 29

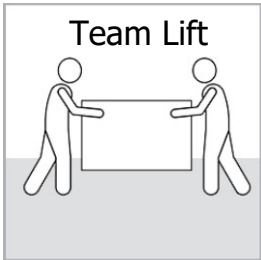
# Attach Panel

A186366H

Scan QR Code to Watch Video on:



How to Tighten KD Cams

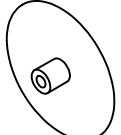


H181468US



KD Cam3000

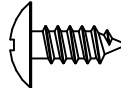
[ 7 ]



Cover Cap

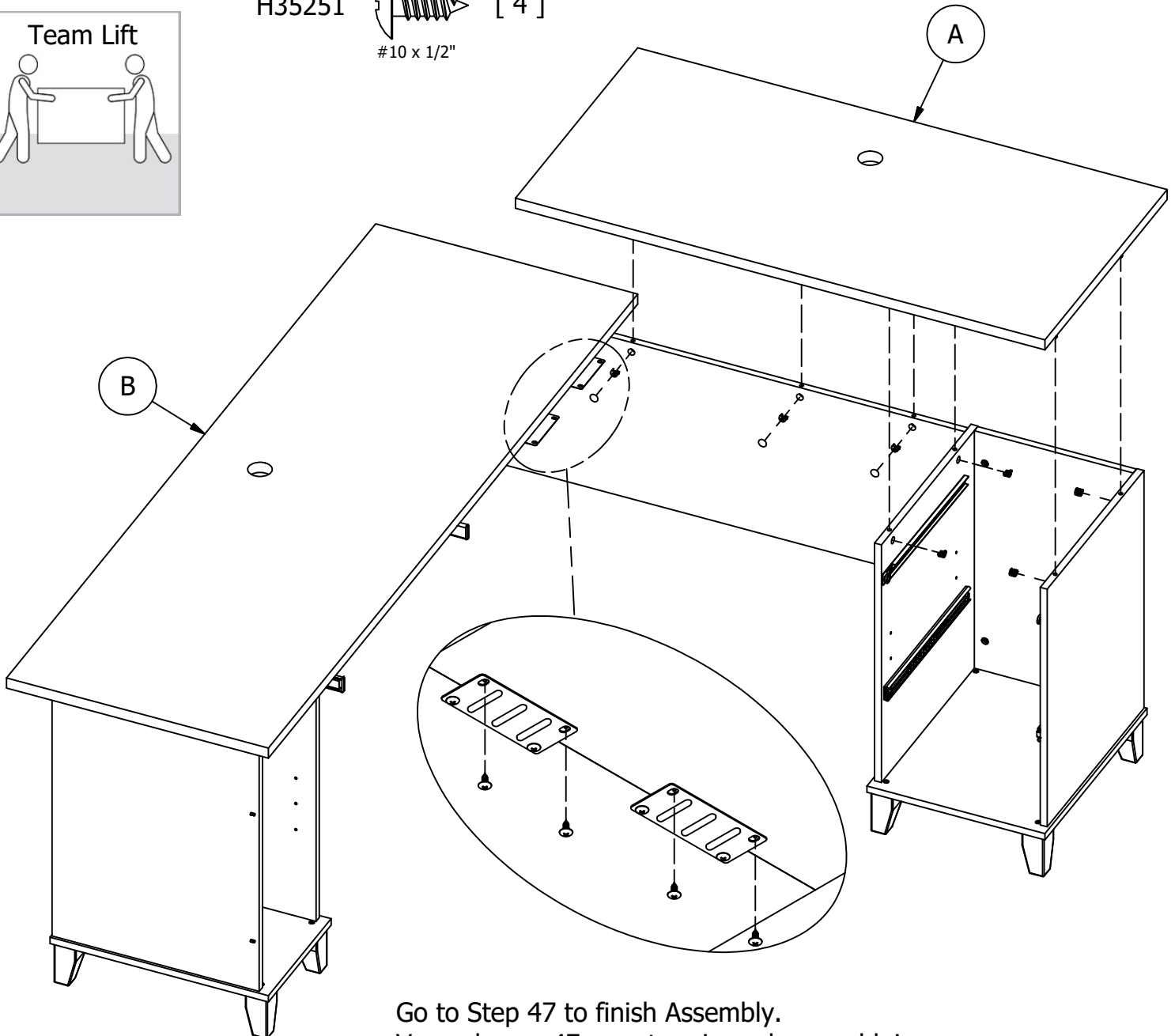
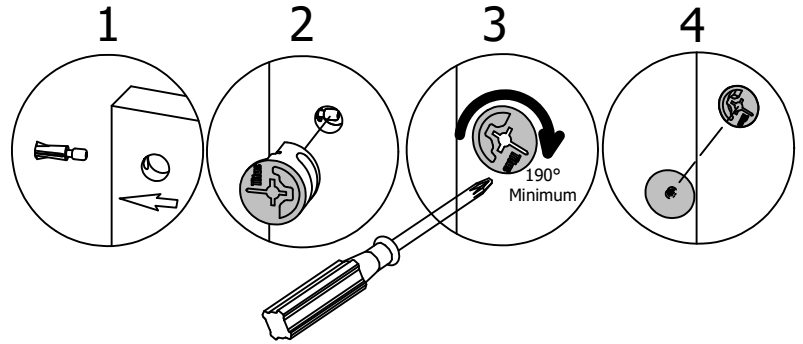
[ 3 ]

H35251



#10 x 1/2"

[ 4 ]



Go to Step 47 to finish Assembly.  
Vaya al paso 47 para terminar el ensamblaje.  
Passez à l'étape 47 pour terminer l'assemblage.

Have an assembly question or need a replacement part? Just call **1-800-950-4782**, we are here to help.

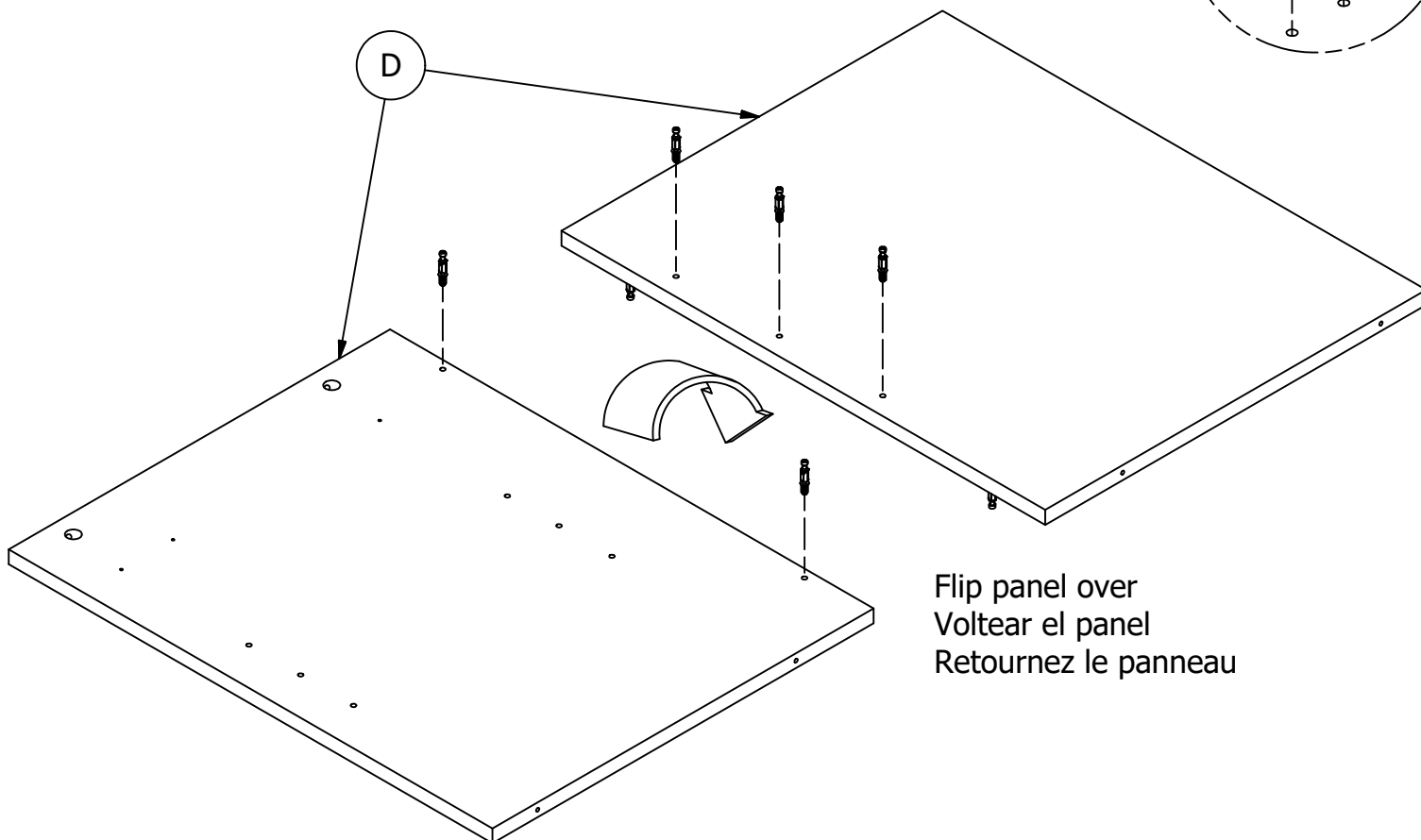
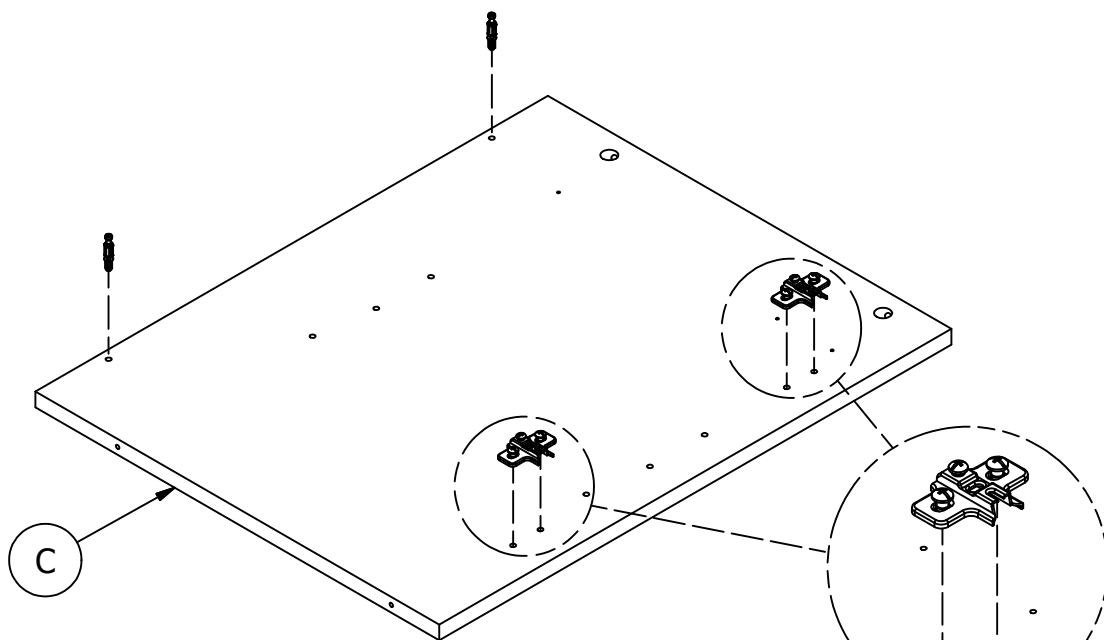
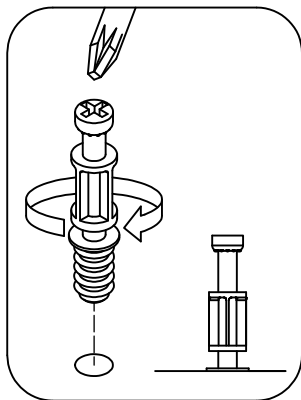
# STEP 30

# Prepare Panels

A186366H

H72988 [ 7 ]  
KD Bolt

H126364 [ 2 ]  
Mounting Plate



Flip panel over  
Voltar el panel  
Retournez le panneau

Have an assembly question or need a replacement part? Just call  
**1-800-950-4782**, we are here to help.

# STEP 31

## Assemble Panels

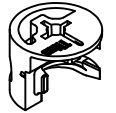
A186366H

Scan QR Code to Watch Video on:



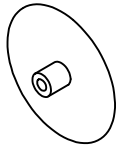
How to Tighten KD Cams

H181468US



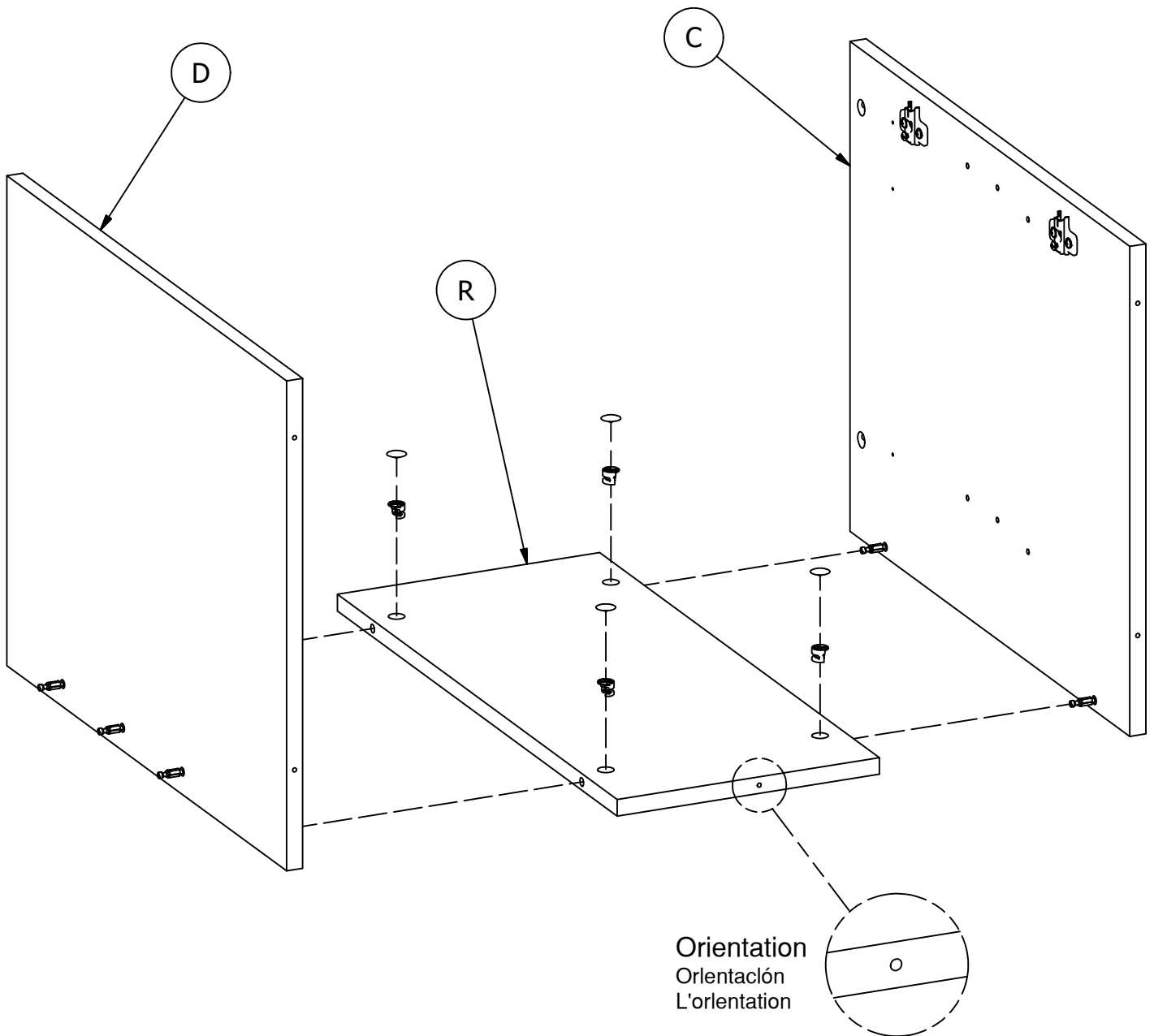
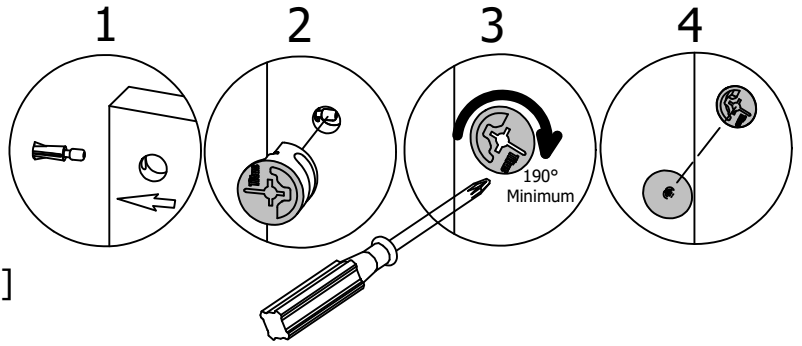
KD Cam3000

[ 4 ]



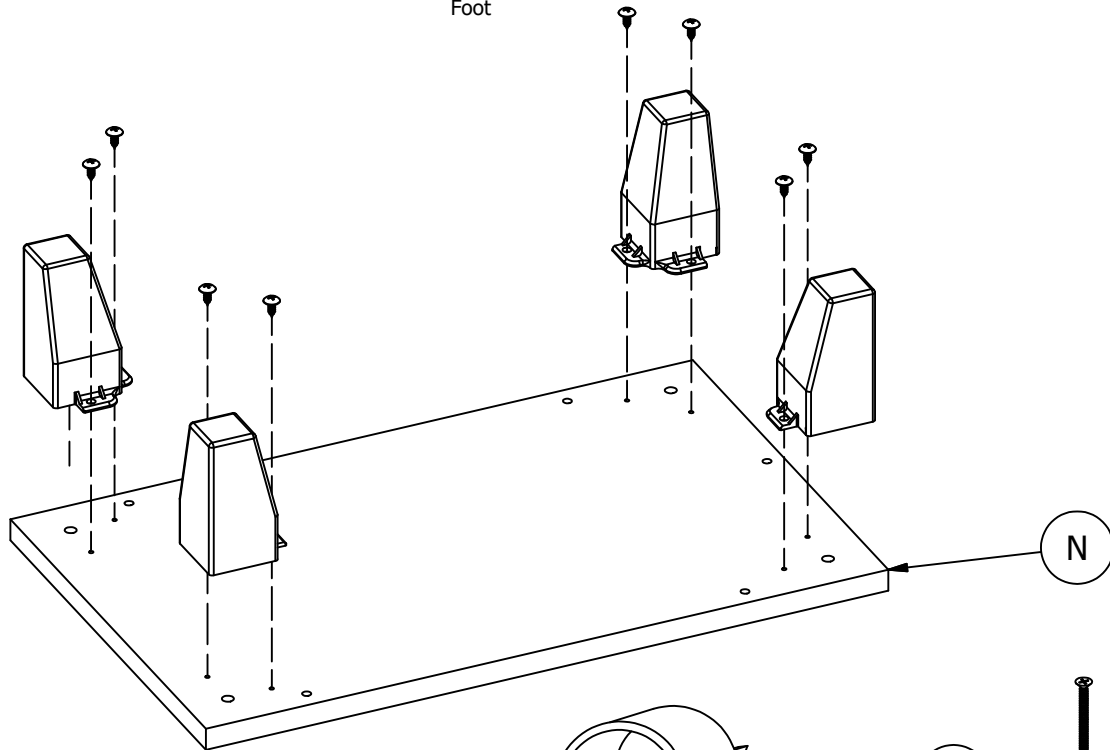
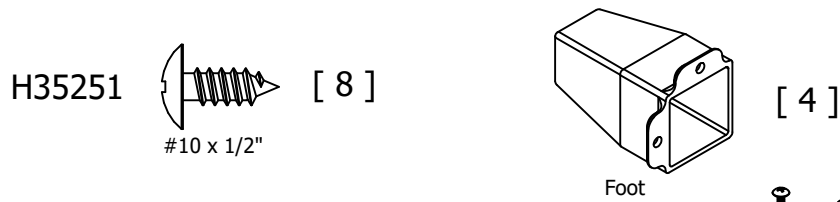
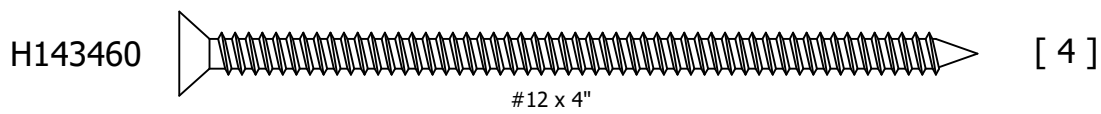
Cover Cap

[ 4 ]

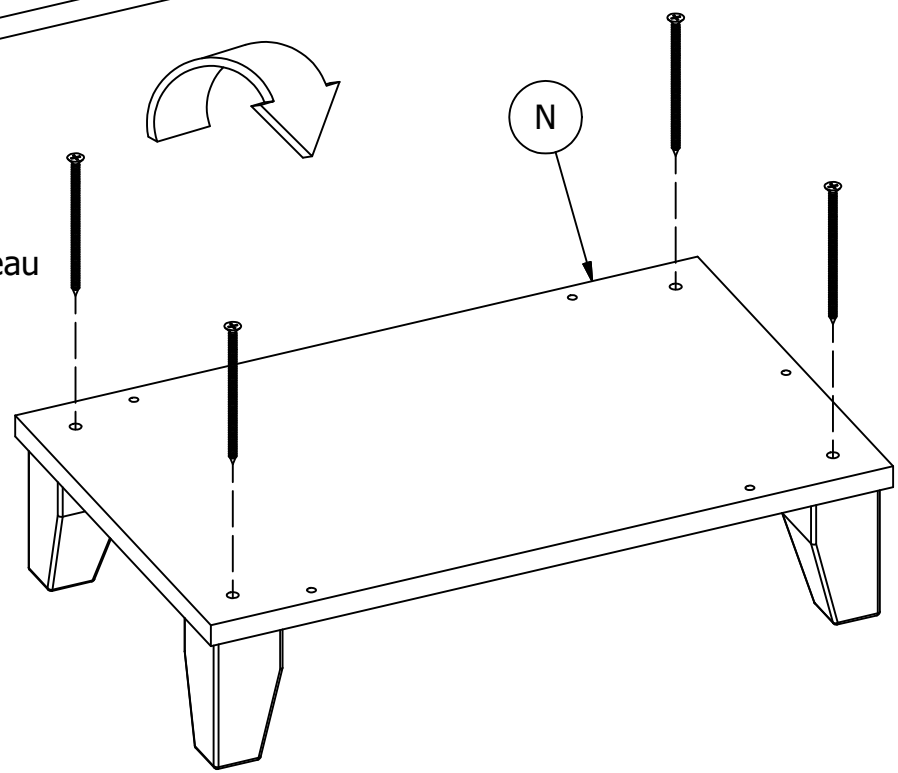


Have an assembly question or need a replacement part? Just call **1-800-950-4782**, we are here to help.



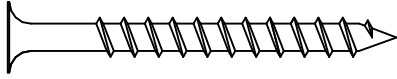


Flip panel over  
Voltear el panel  
Retournez le panneau



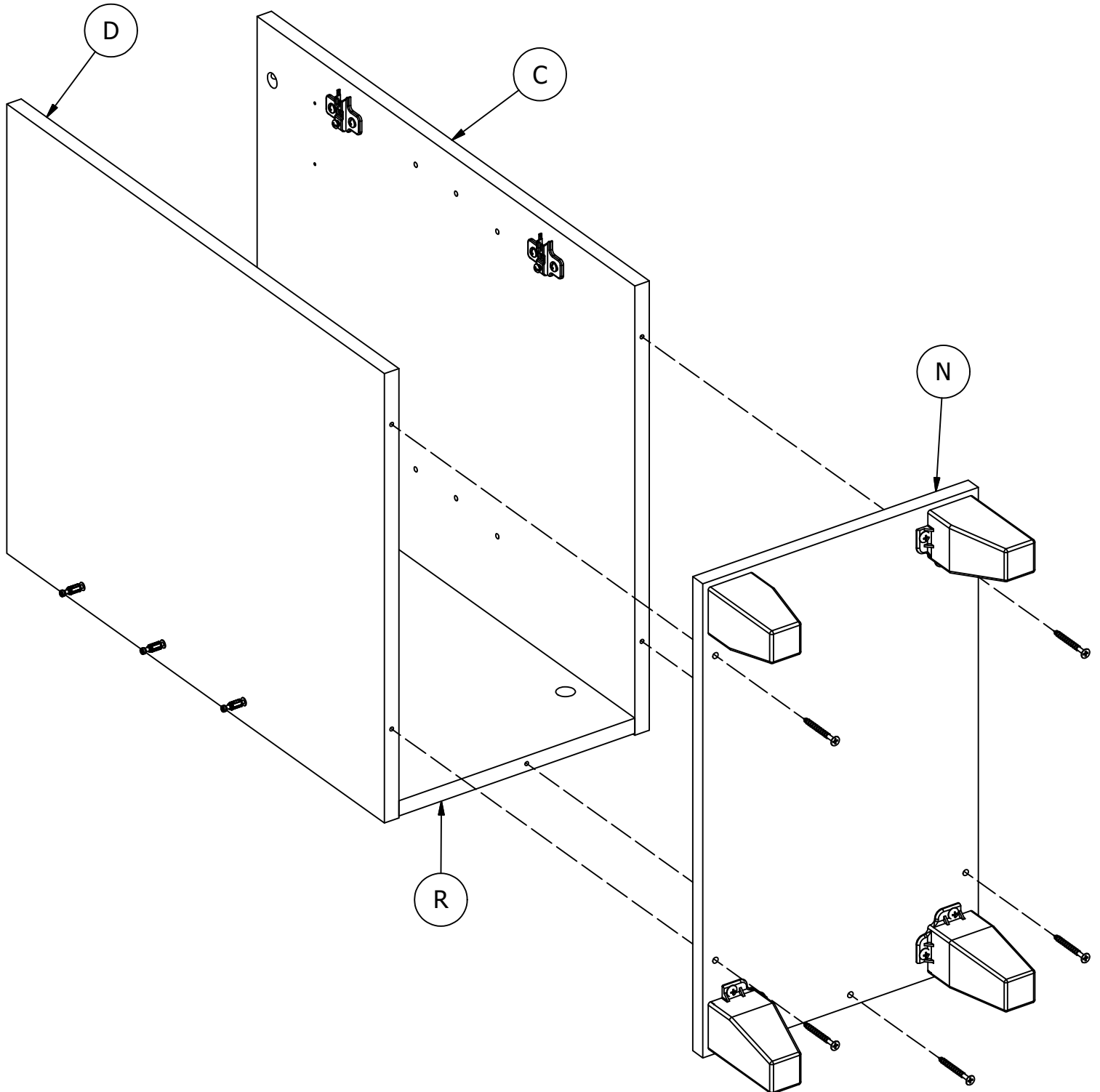
Have an assembly question or need a replacement part? Just call **1-800-950-4782**, we are here to help.

H23491



[ 5 ]

#10 x 2"



Have an assembly question or need a replacement part? Just call  
**1-800-950-4782**, we are here to help.

# STEP 34

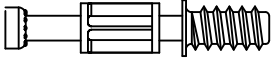
# Prepare Panel


A186366H


Scan QR Code to Watch Video on:

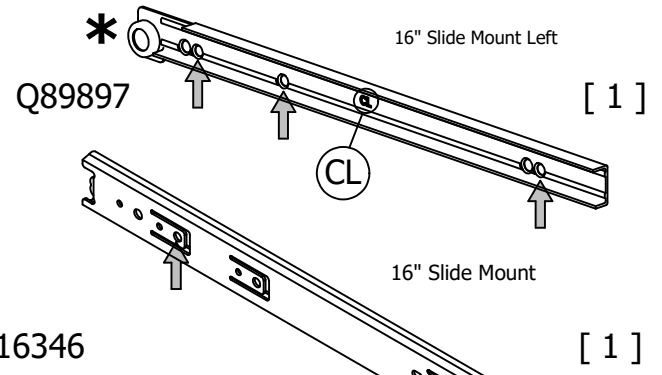


How to Separate and Install Drawer Slides

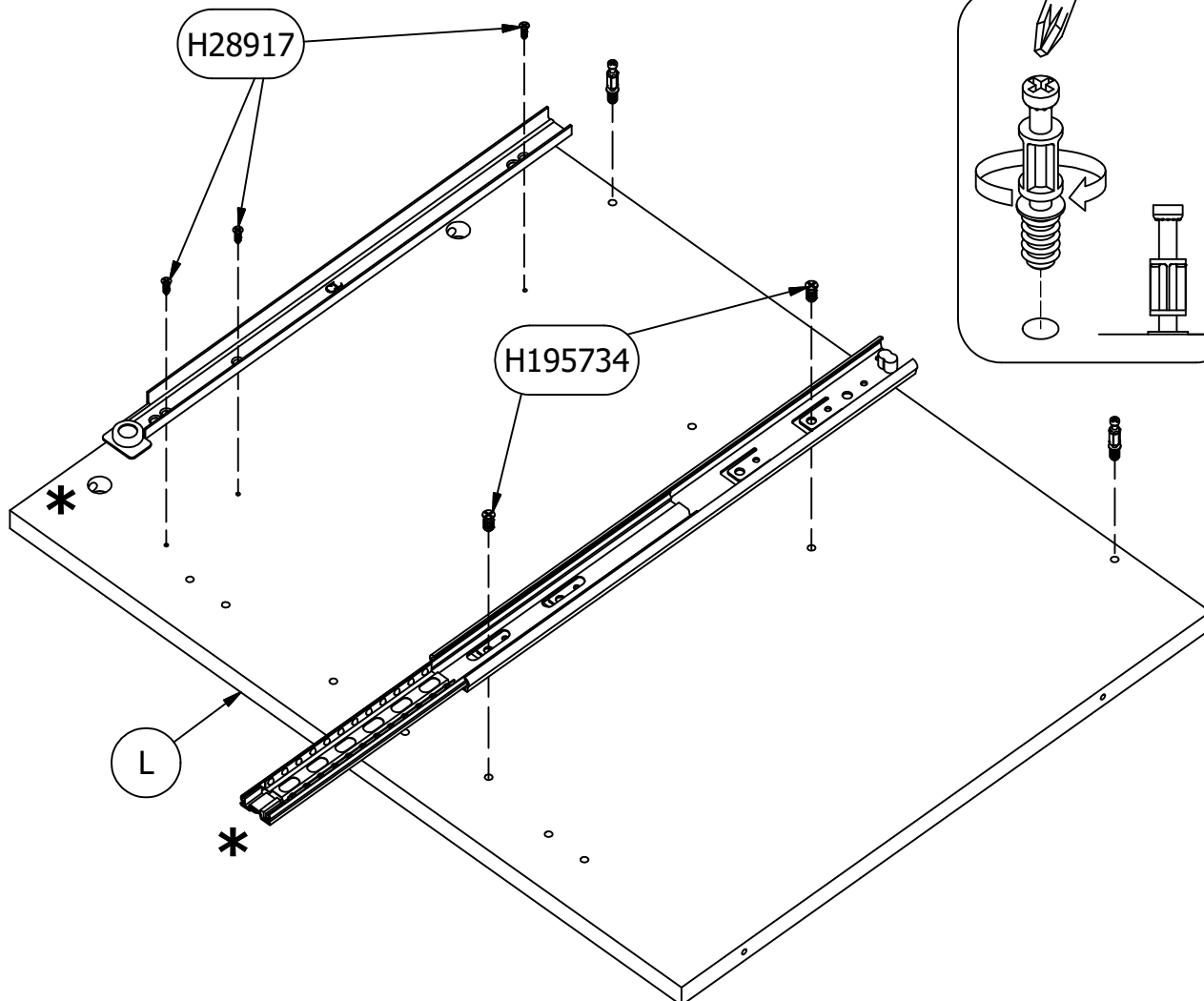
H72988  [ 2 ]  
KD Bolt

H28917  [ 3 ]  
#6 x 1/2" Silver

H195734  [ 2 ]  
M6.3 X 13MM



Orientation  
Orientación  
L'orientation



Have an assembly question or need a replacement part? Just call **1-800-950-4782**, we are here to help.

# STEP 35

## Prepare Panel

A186366H

Scan QR Code to Watch Video on:

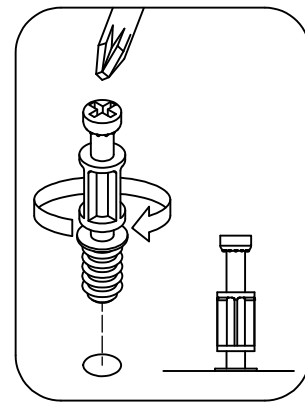
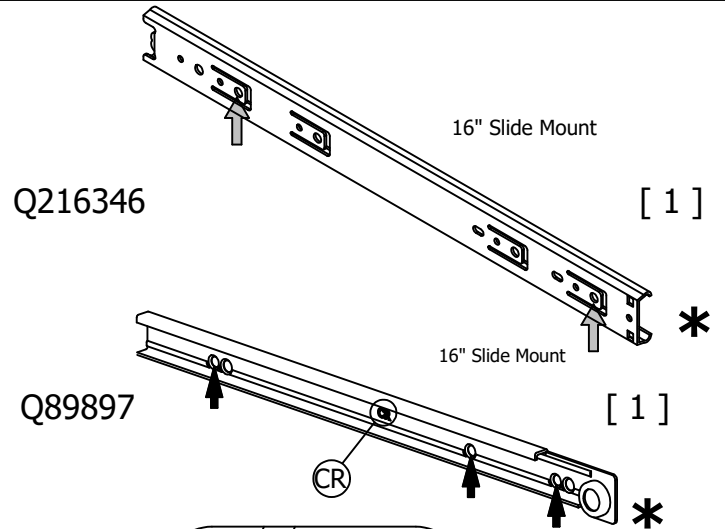


How to Separate and Install Drawer Slides

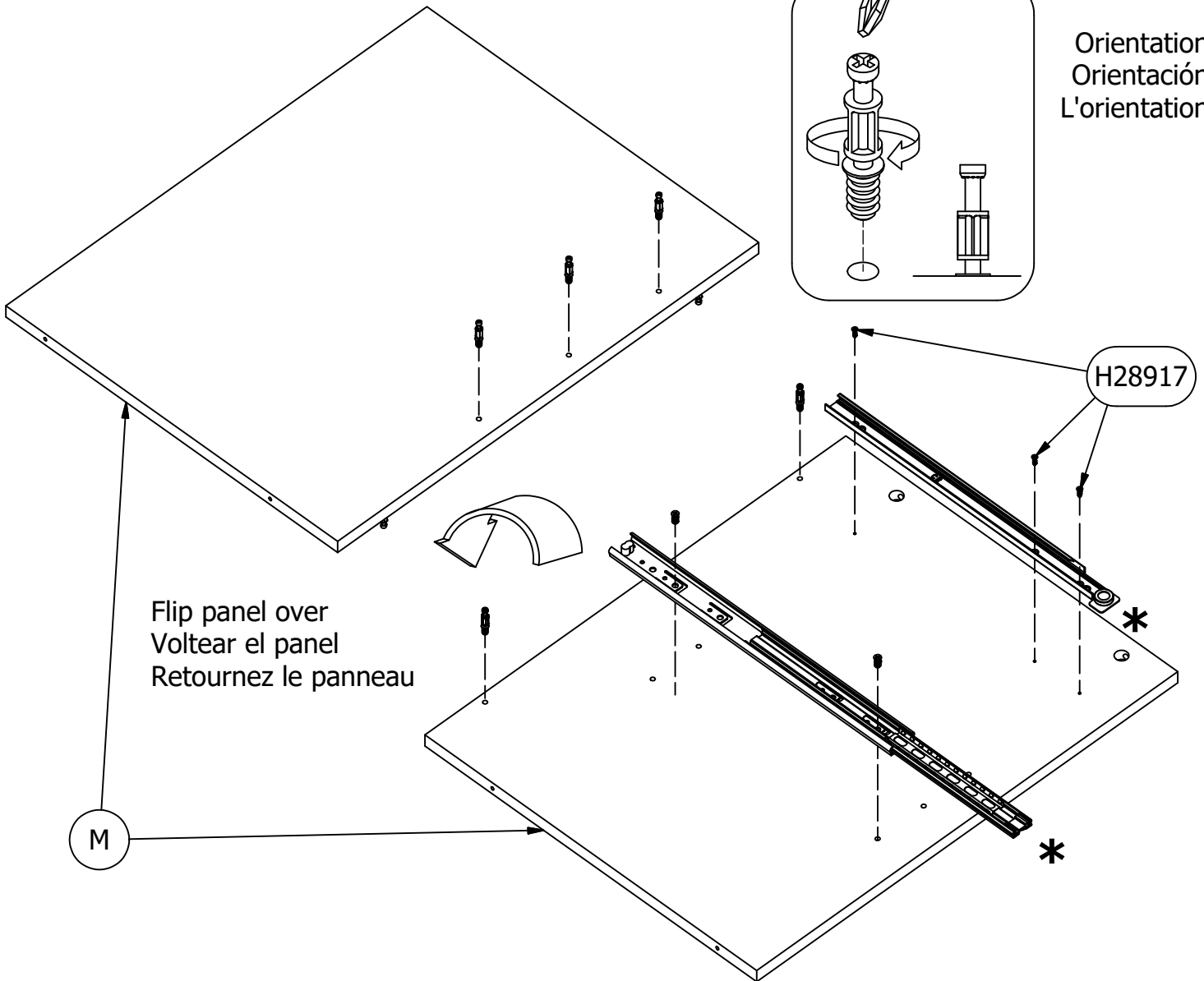
H28917 [ 3 ]  
#6 x 1/2" Silver

H195734 [ 2 ]  
M6.3 X 13MM

H72988 [ 5 ]  
KD Bolt



Orientation  
Orientación  
L'orientation



Flip panel over  
Voltear el panel  
Retournez le panneau

Have an assembly question or need a replacement part? Just call **1-800-950-4782**, we are here to help.

Scan QR Code to Watch Video on:

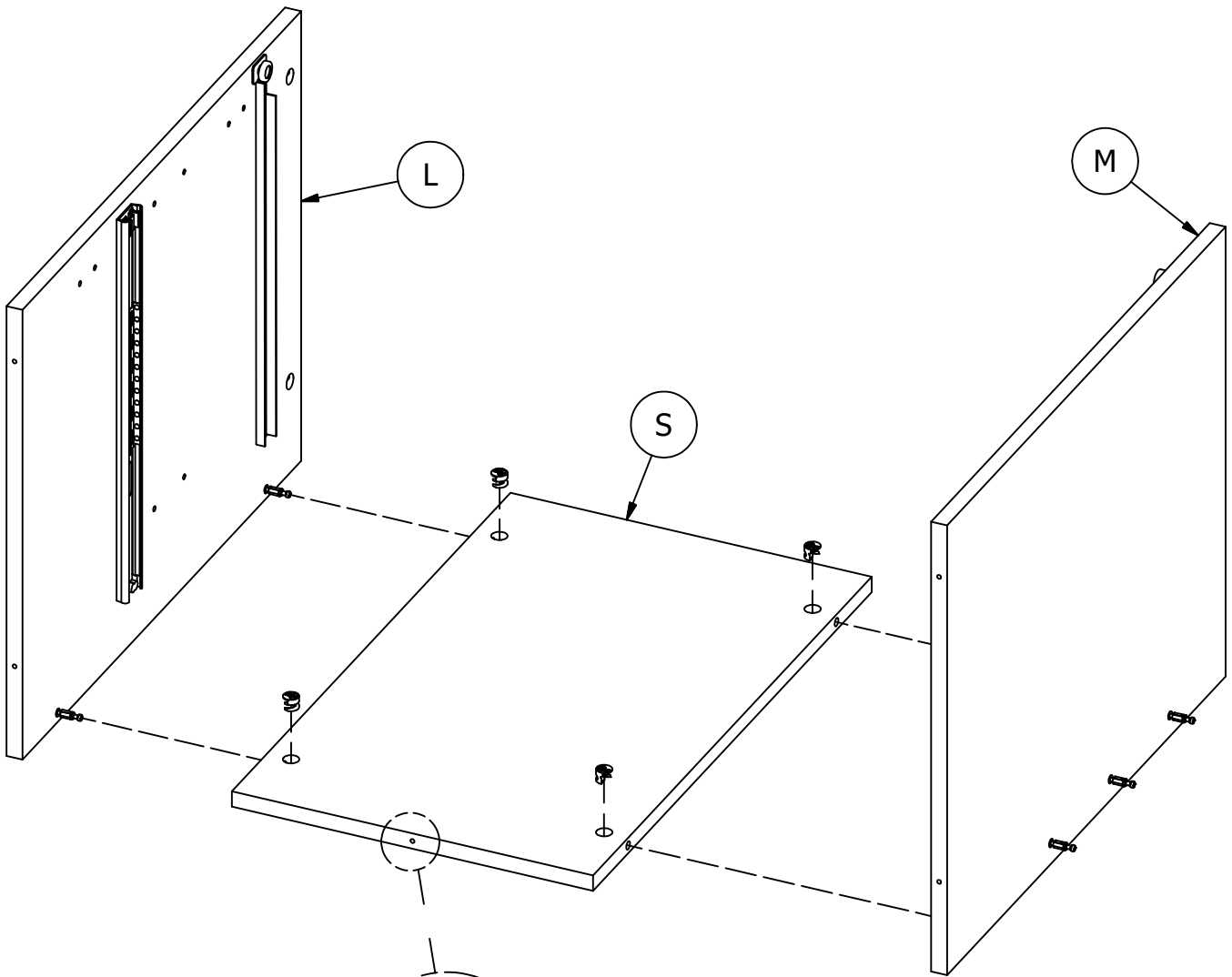
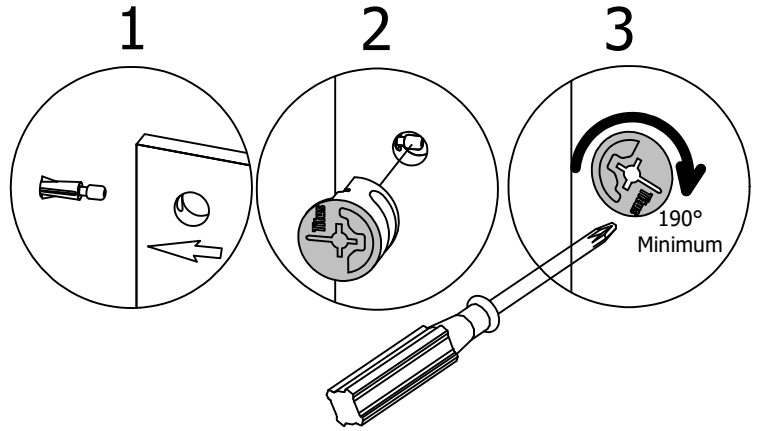


How to Tighten KD Cams

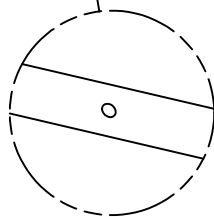
H181468US



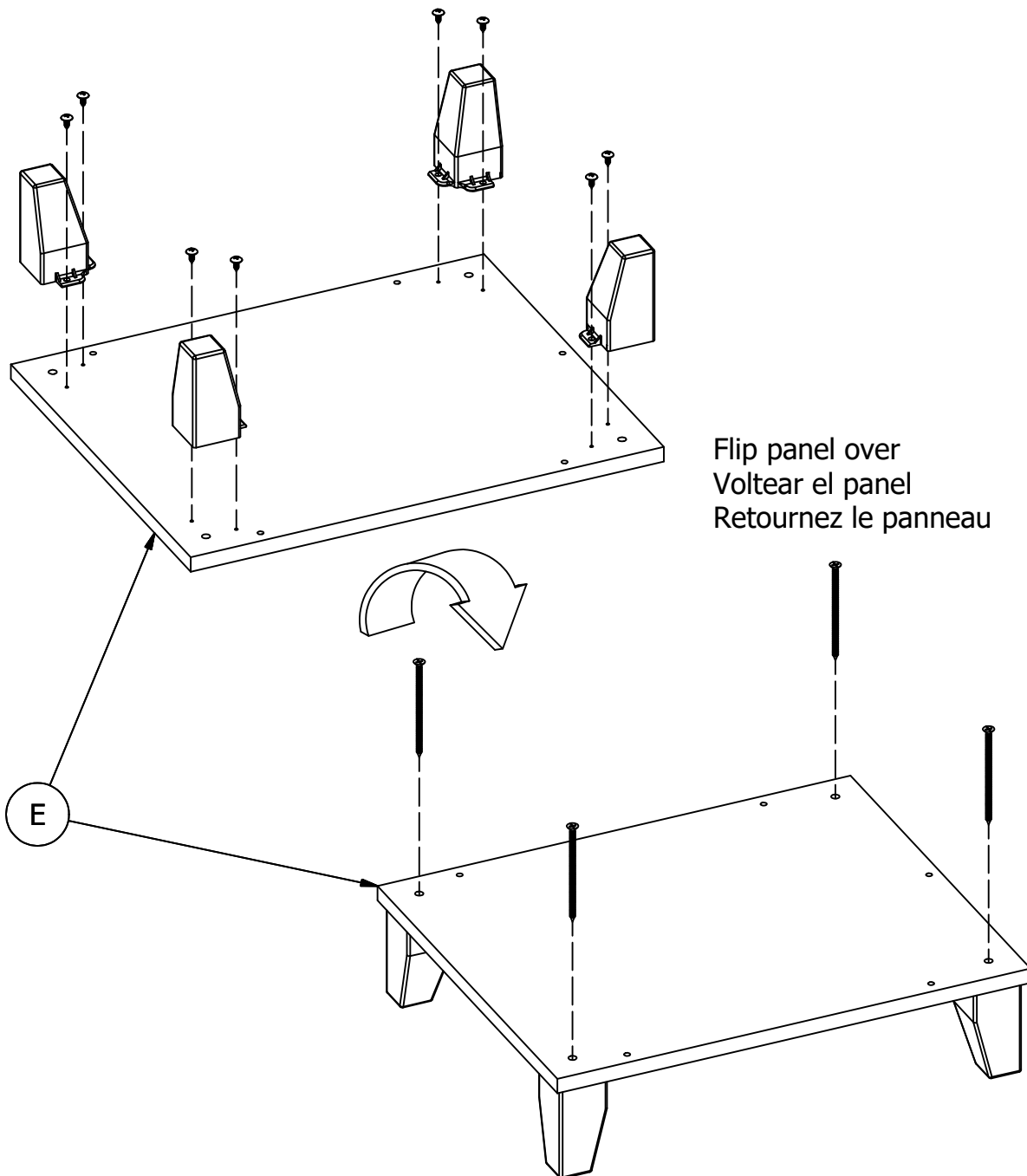
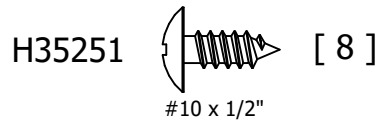
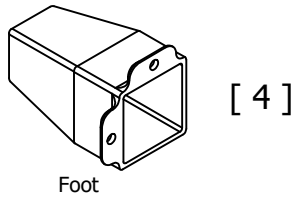
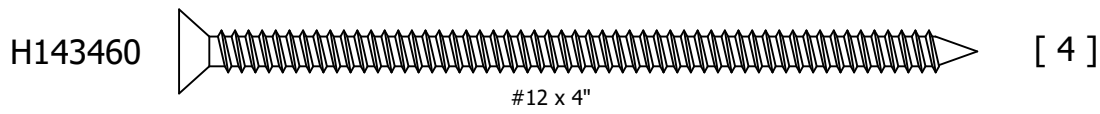
[ 4 ]



Orientation  
Orientación  
L'orientation



Have an assembly question or need a replacement part? Just call **1-800-950-4782**, we are here to help.



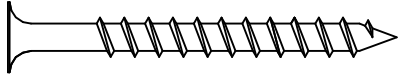
Have an assembly question or need a replacement part? Just call  
**1-800-950-4782**, we are here to help.

# STEP 38

# Assemble Panels

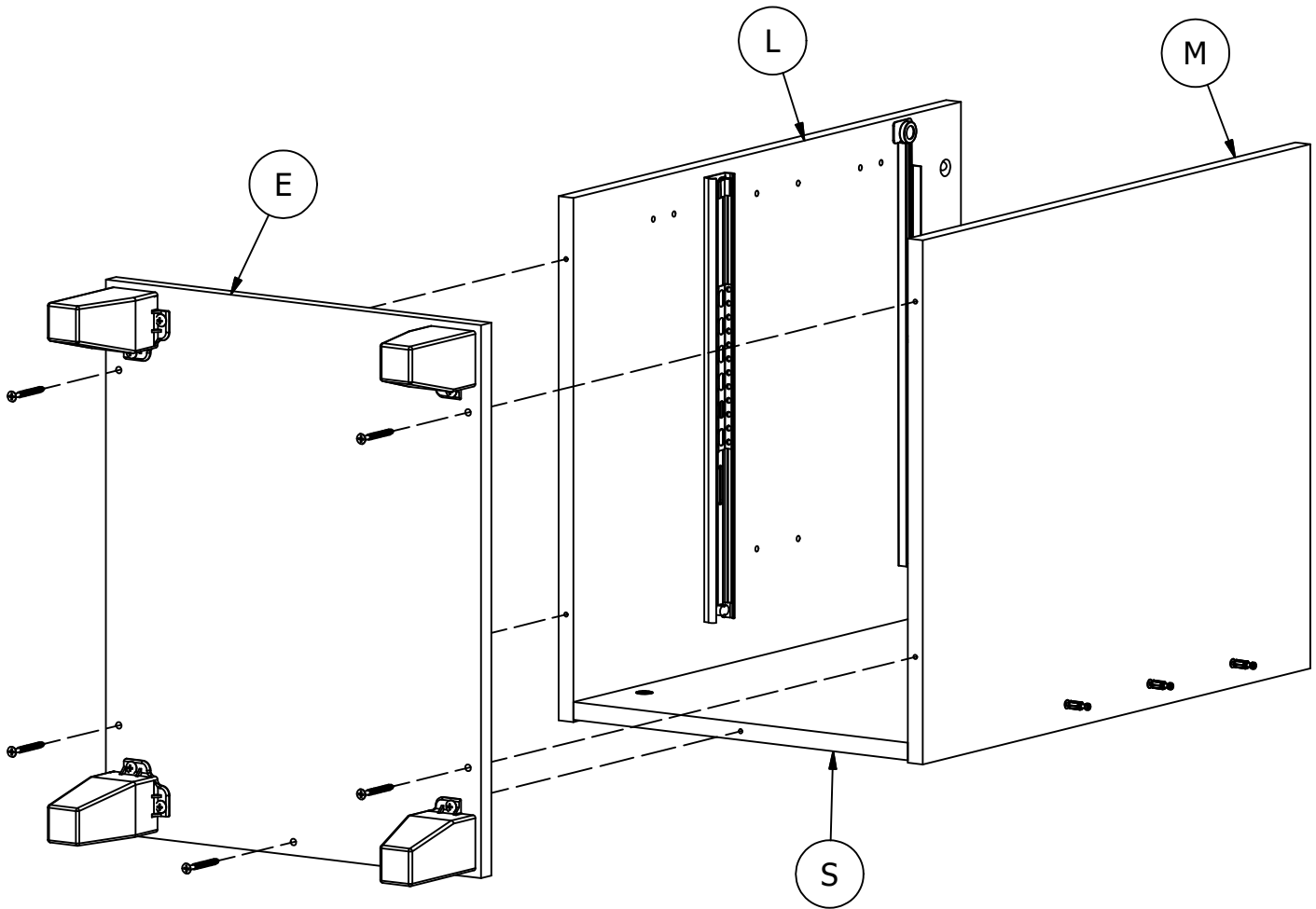
A186366H

H23491



[ 5 ]

#10 x 2"



Have an assembly question or need a replacement part? Just call  
**1-800-950-4782**, we are here to help.

# STEP 39

# Assemble Panels

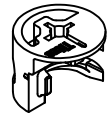
A186366H

Scan QR Code to Watch Video on:

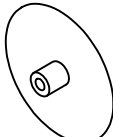


How to Tighten KD Cams

H181468US



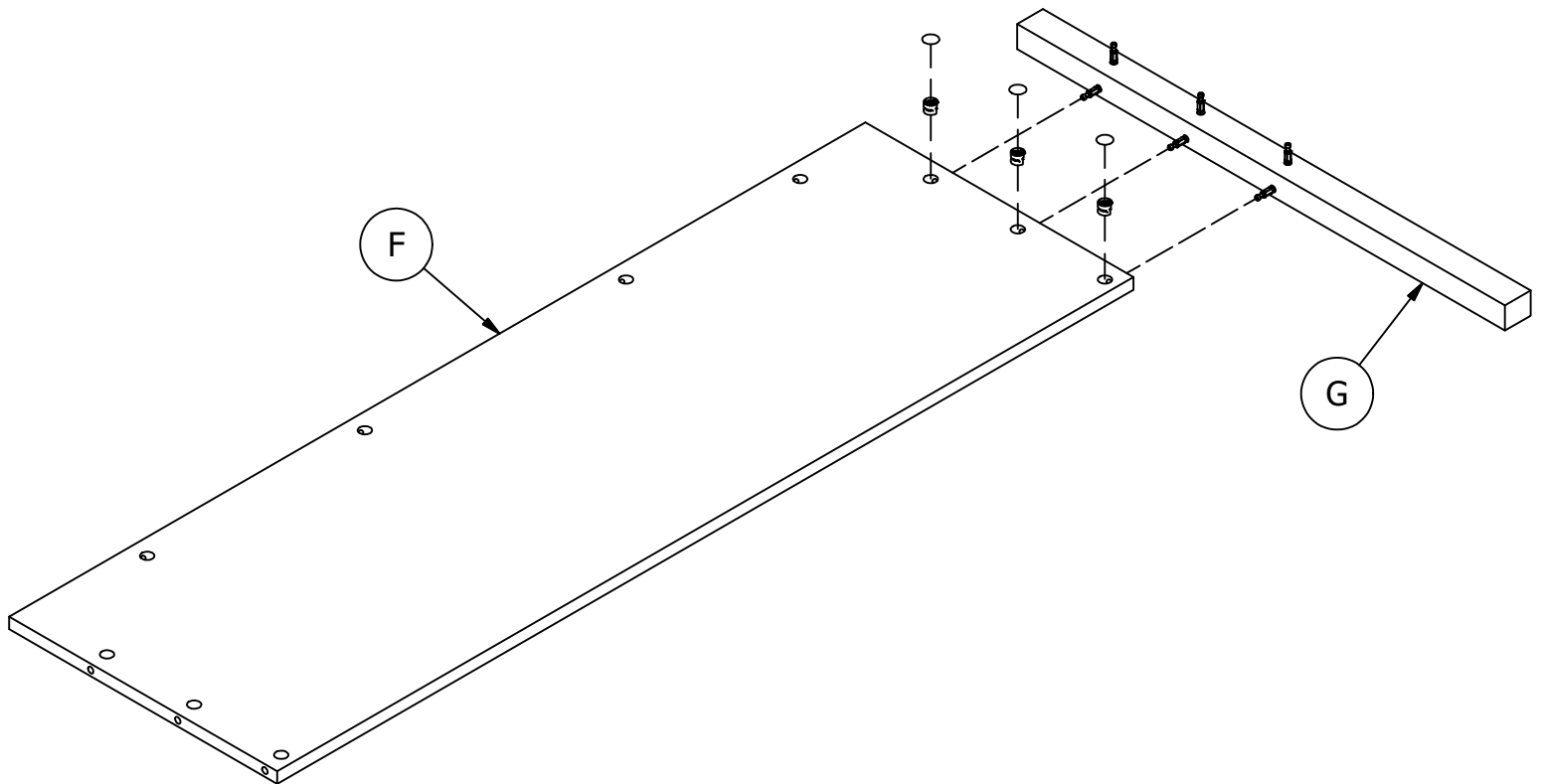
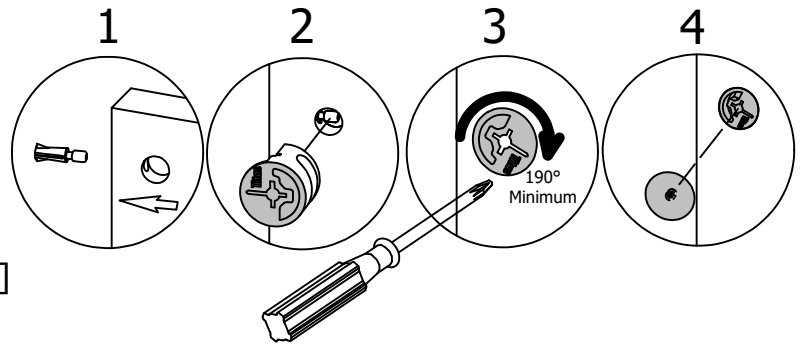
KD Cam3000



Cover Cap

[ 3 ]

[ 3 ]



Have an assembly question or need a replacement part? Just call **1-800-950-4782**, we are here to help.



# STEP 40

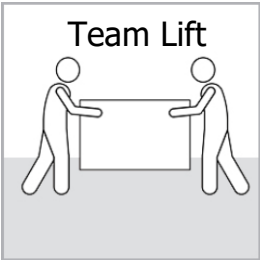
# Assemble Panels

A186366H

Scan QR Code to Watch Video on:



How to Tighten KD Cams

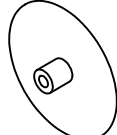


H181468US



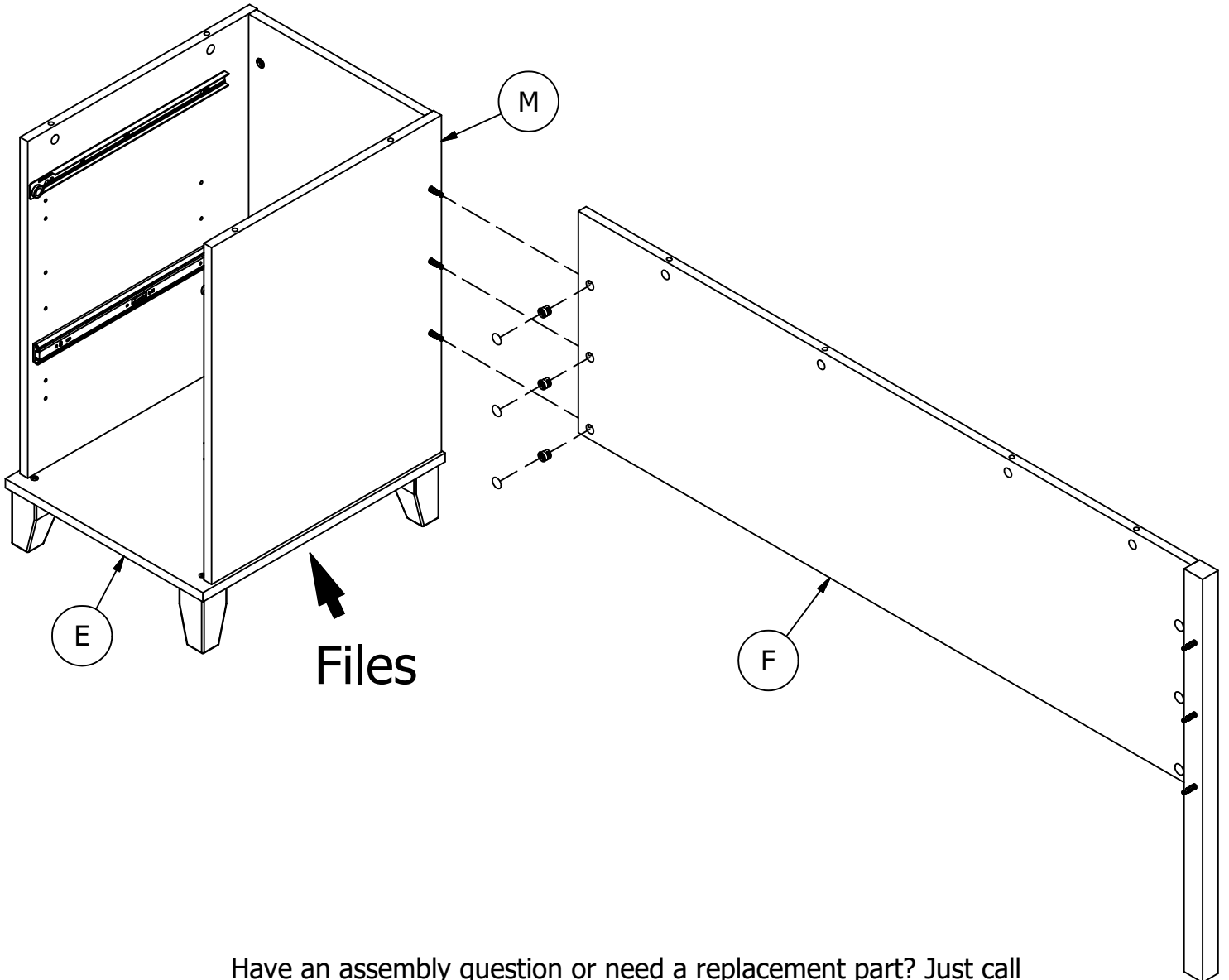
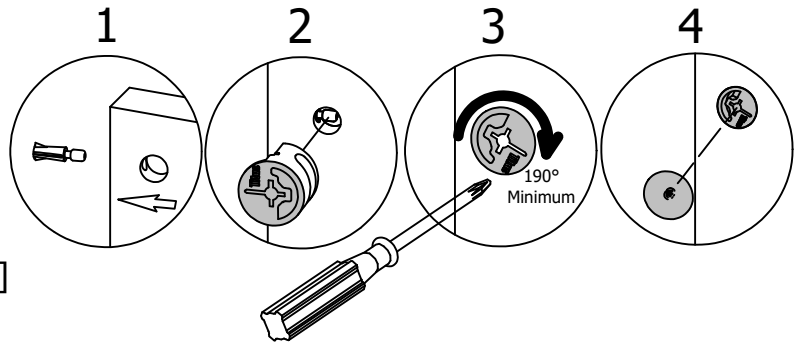
KD Cam3000

[ 3 ]



[ 3 ]

Cover Cap



Have an assembly question or need a replacement part? Just call **1-800-950-4782**, we are here to help.

# STEP 41

## Assemble Panels

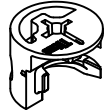
A186366H

Scan QR Code to Watch Video on:

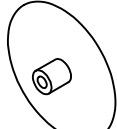


How to Tighten KD Cams

H181468US



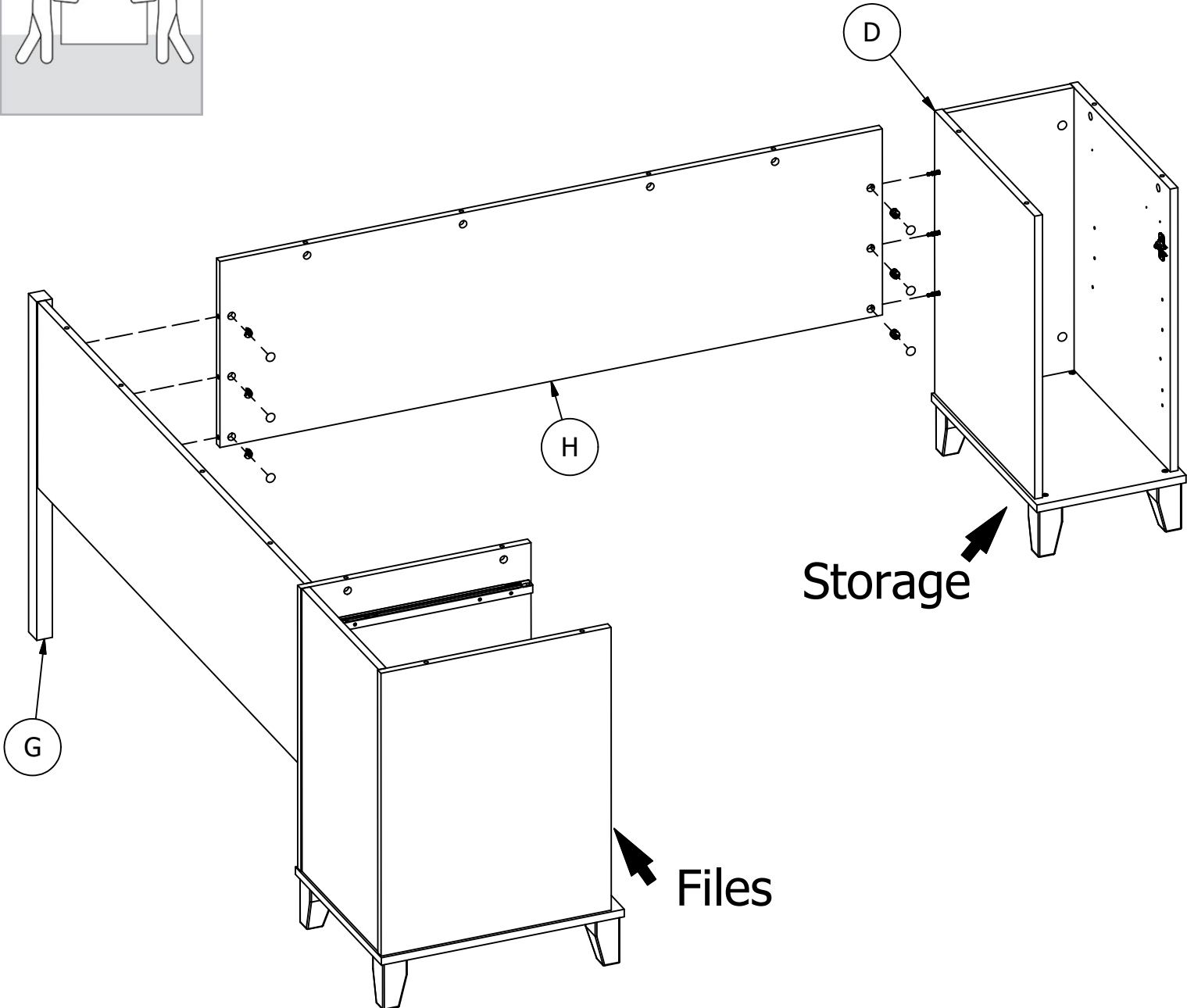
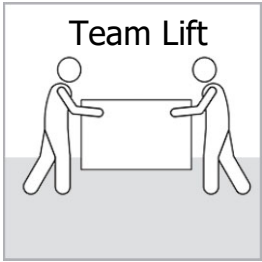
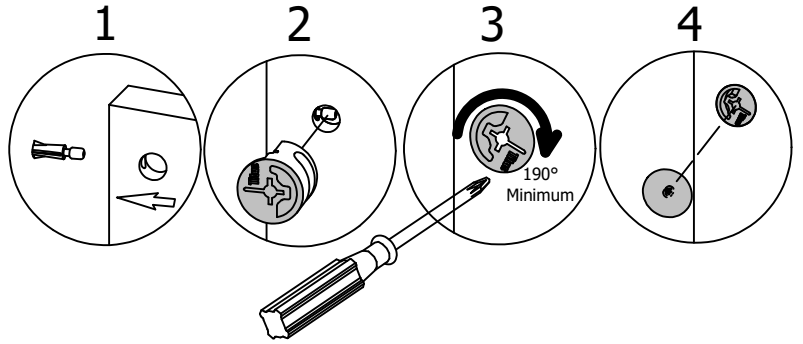
KD Cam3000



Cover Cap

[ 6 ]

[ 6 ]



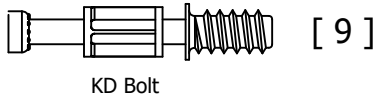
Have an assembly question or need a replacement part? Just call **1-800-950-4782**, we are here to help.

# STEP 42

# Prepare Panel

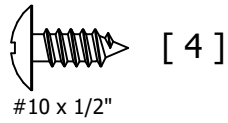
A186366H

H72988



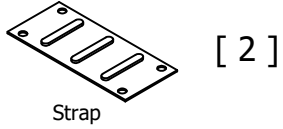
KD Bolt

H35251

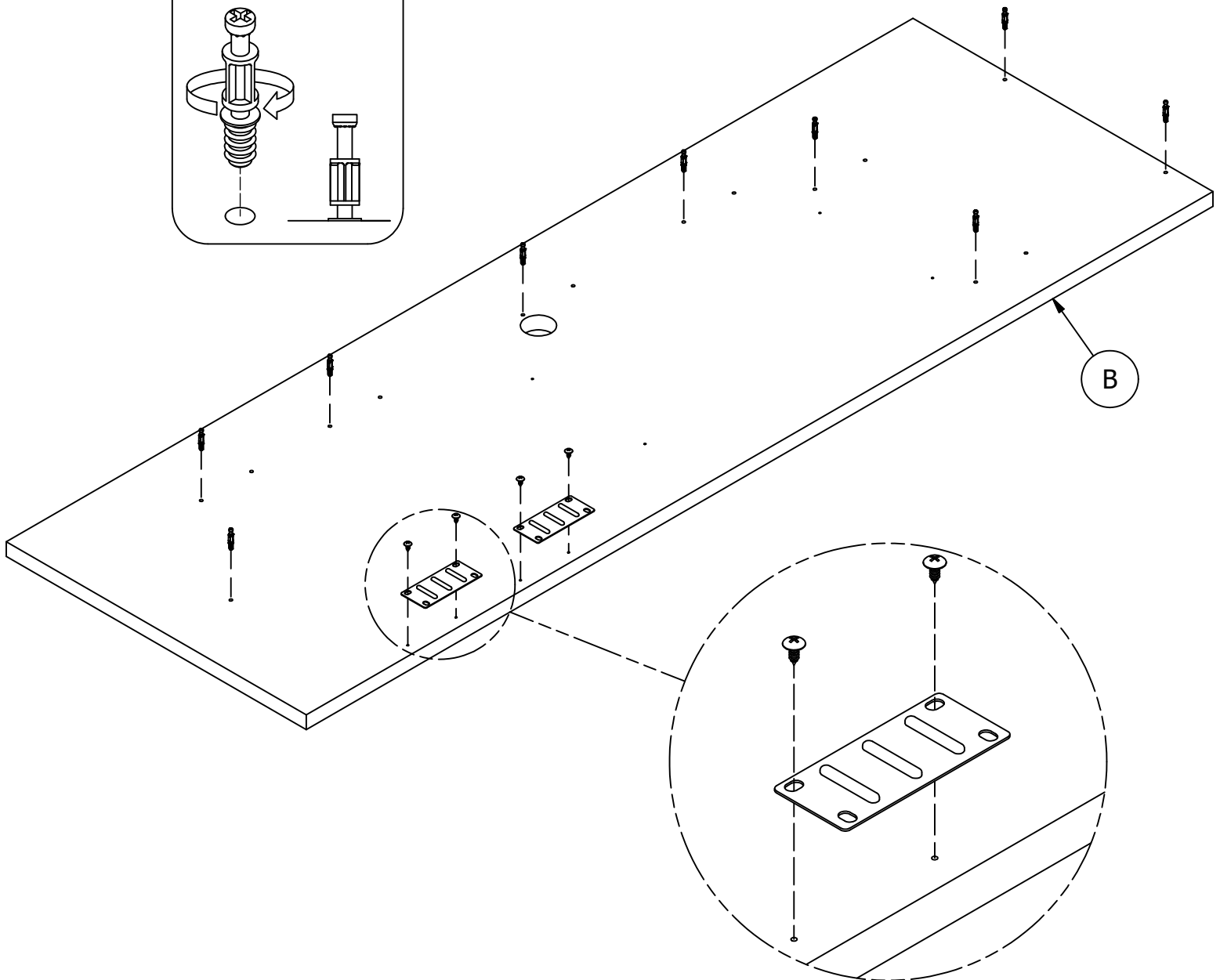
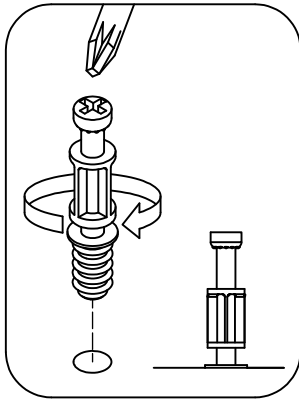


#10 x 1/2"

H39922



Strap



Have an assembly question or need a replacement part? Just call **1-800-950-4782**, we are here to help.

# STEP 43

# Attach Panel

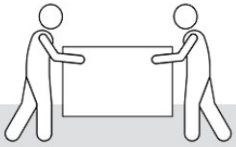
A186366H

Scan QR Code to Watch Video on:



How to Tighten KD Cams

Team Lift

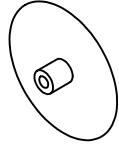


H181468US



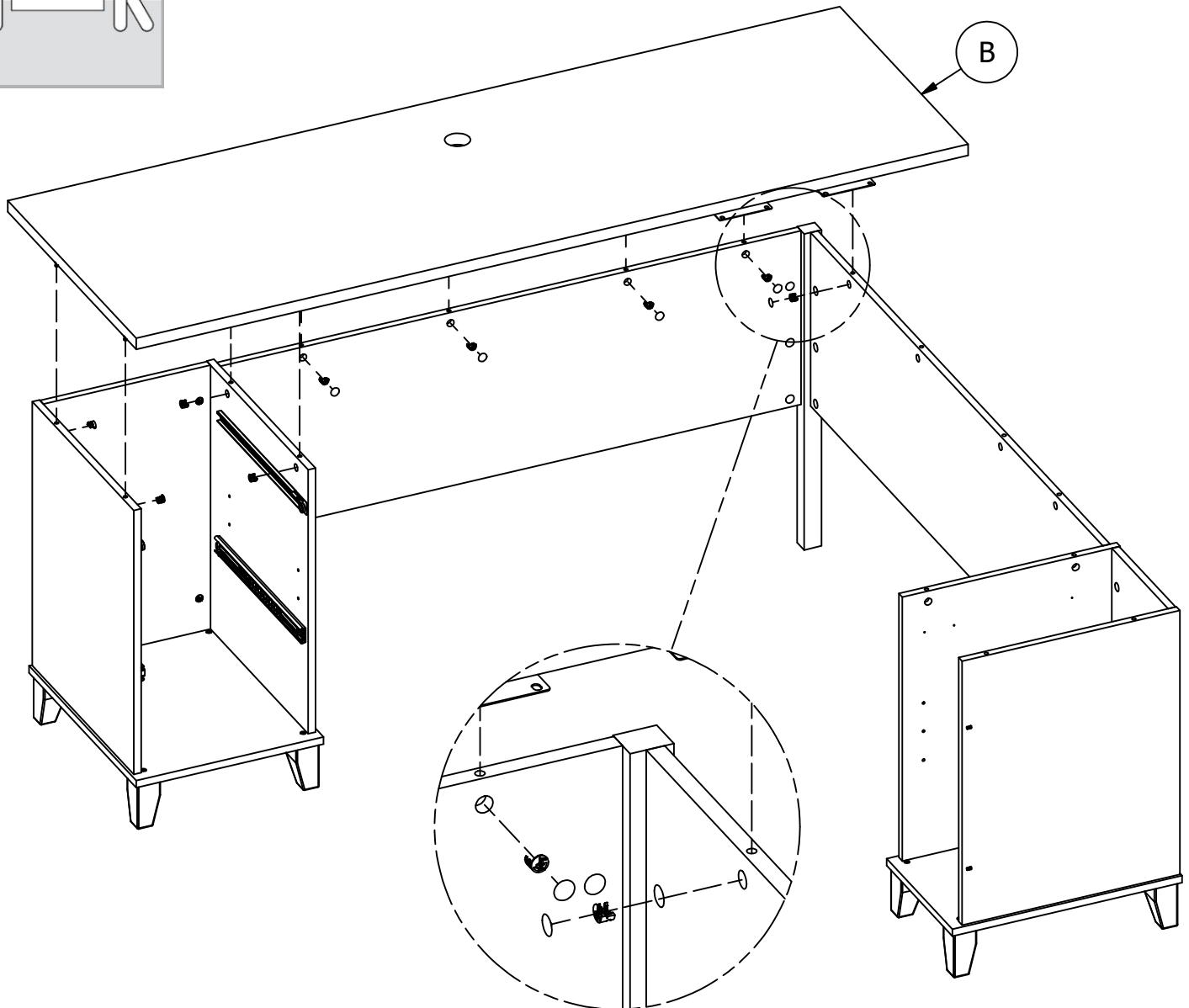
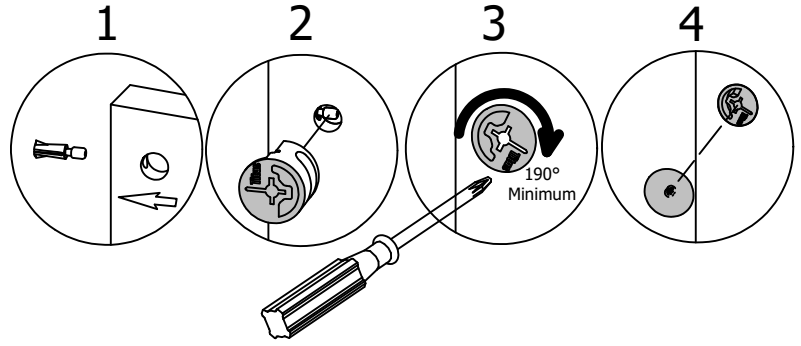
KD Cam3000

[ 9 ]



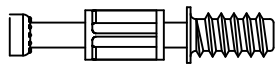
Cover Cap

[ 5 ]



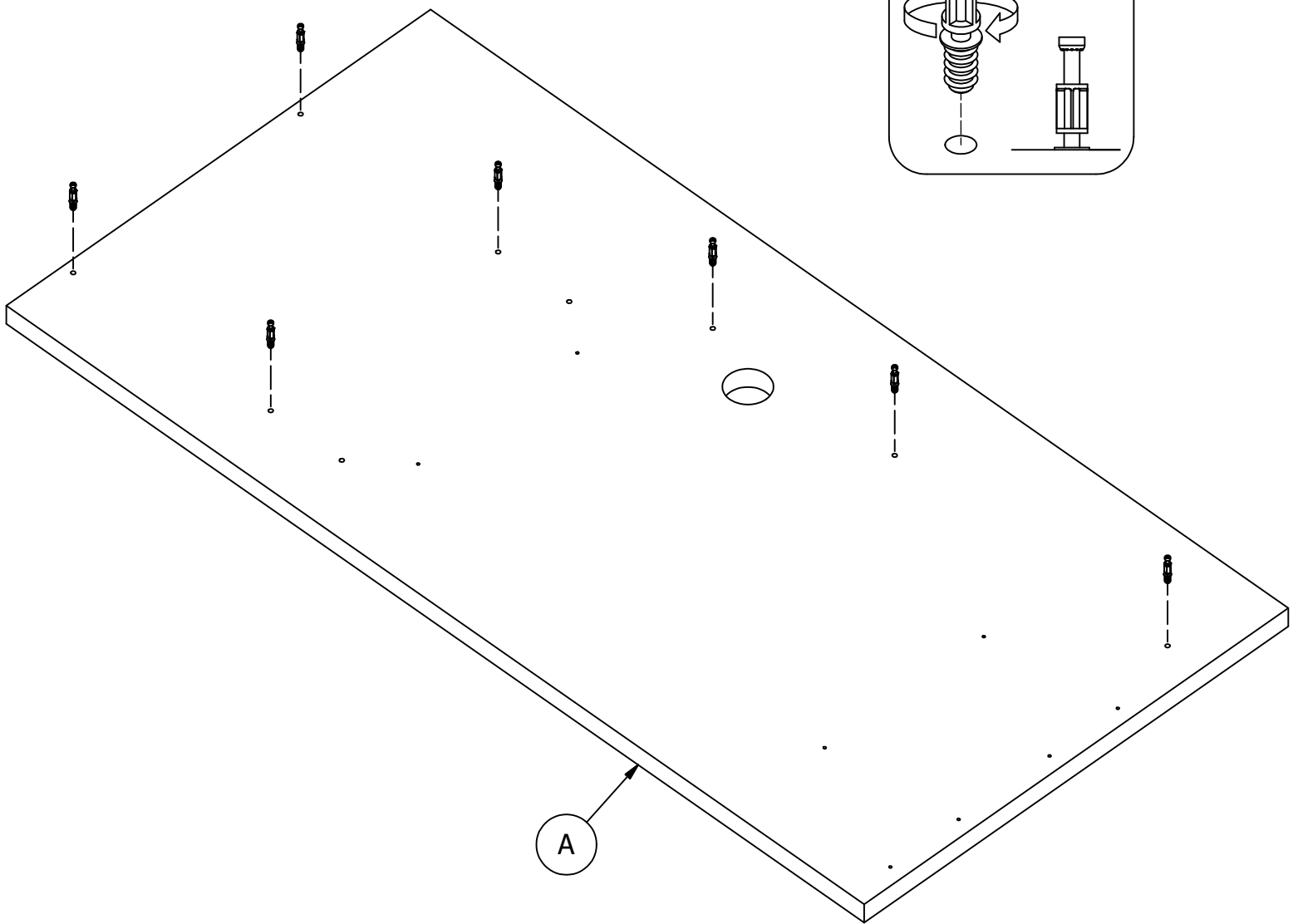
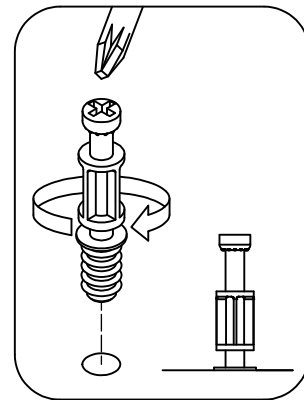
Have an assembly question or need a replacement part? Just call **1-800-950-4782**, we are here to help.

H72988



[ 7 ]

KD Bolt

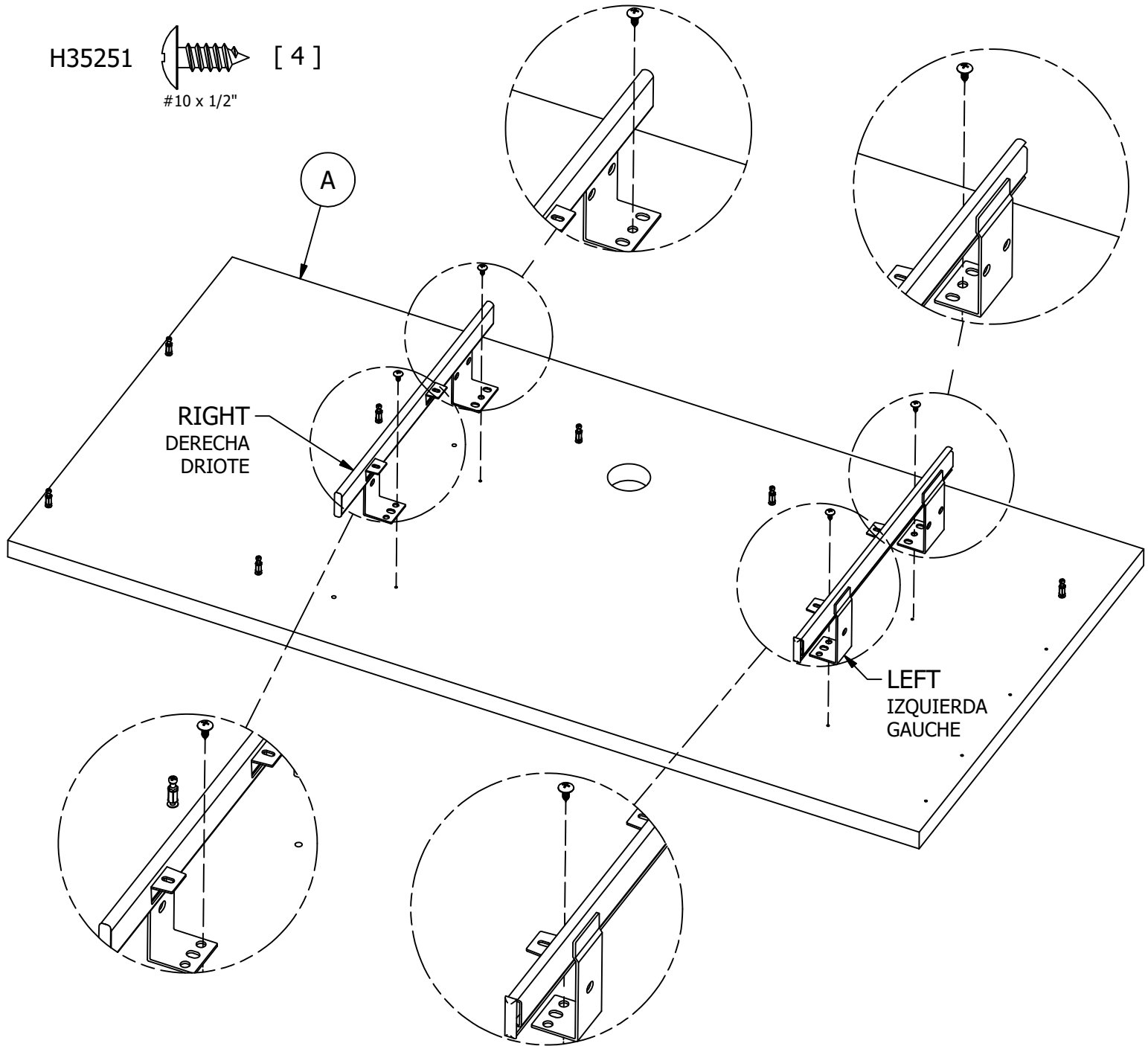
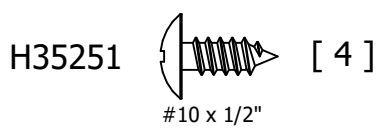
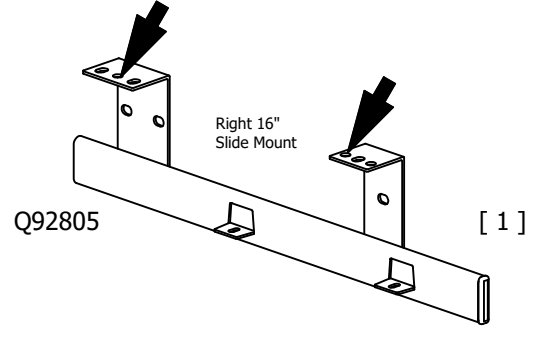
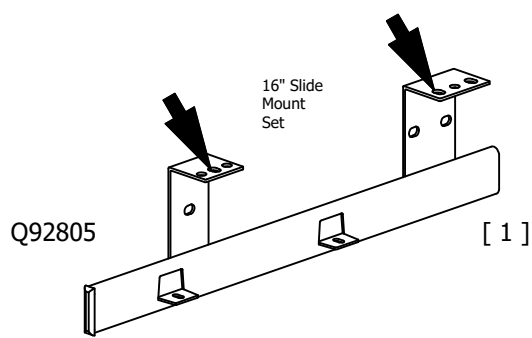


Have an assembly question or need a replacement part? Just call **1-800-950-4782**, we are here to help.

# STEP 45

# Attach Hardware

A186366H



Have an assembly question or need a replacement part? Just call **1-800-950-4782**, we are here to help.

# STEP 46

# Assemble Panels

A186366H

Scan QR Code to Watch Video on:



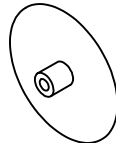
How to Tighten KD Cams

H181468US



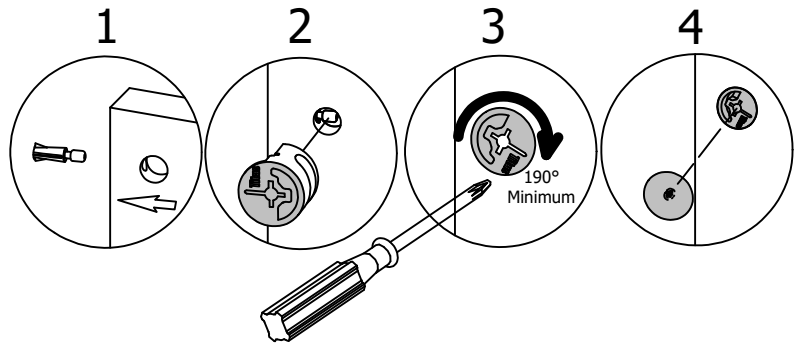
KD Cam3000

[ 7 ]

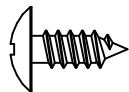


Cover Cap

[ 7 ]

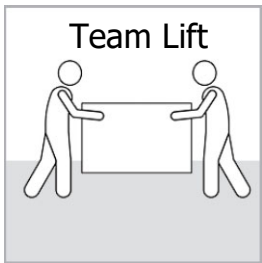


H35251

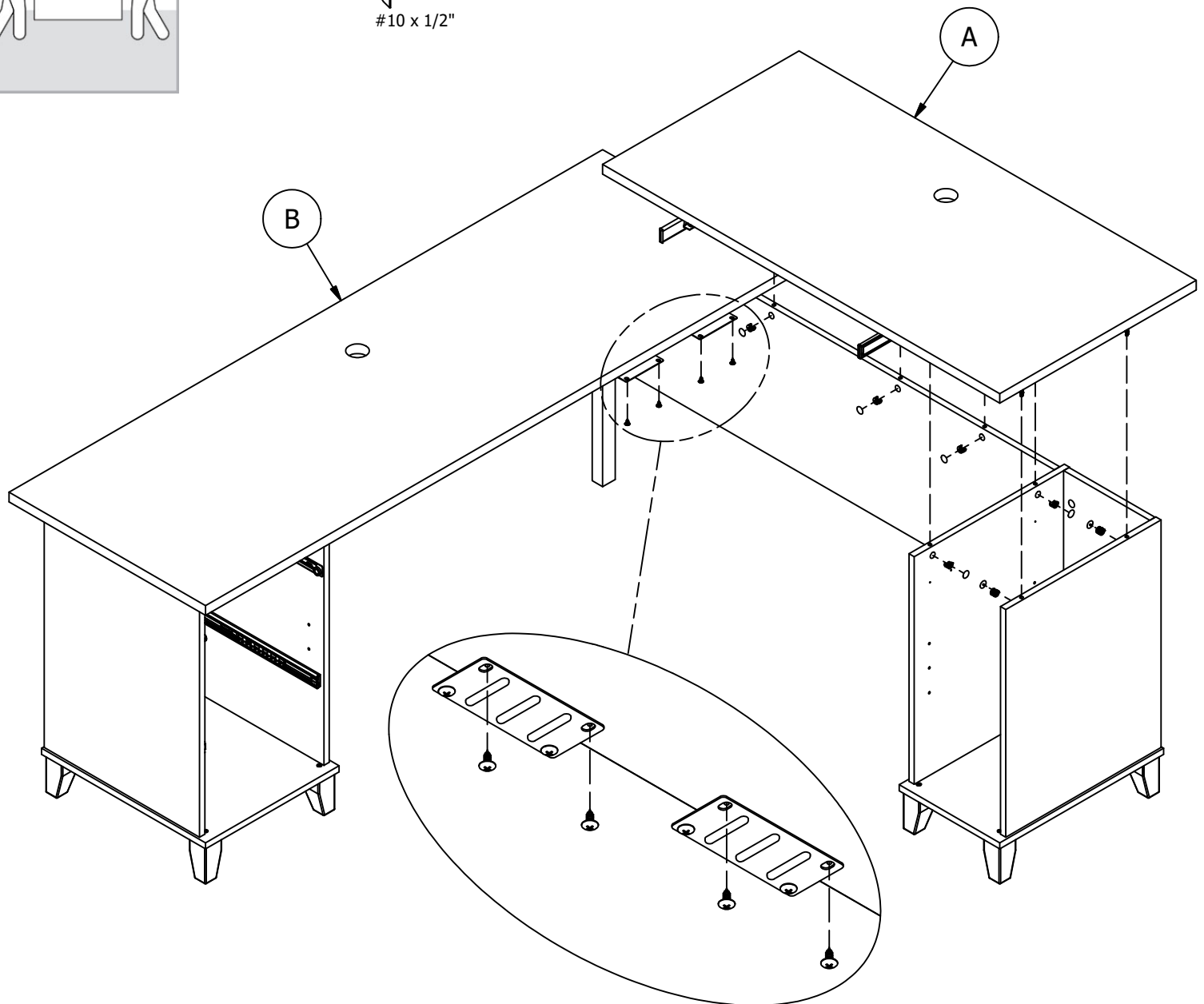


#10 x 1/2"

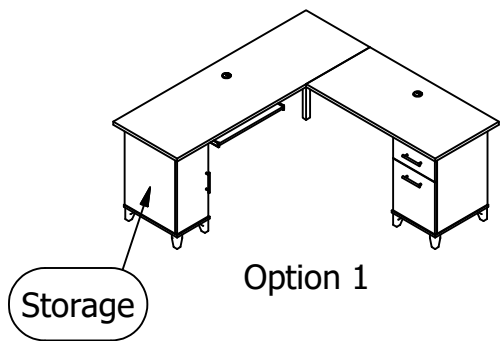
[ 4 ]



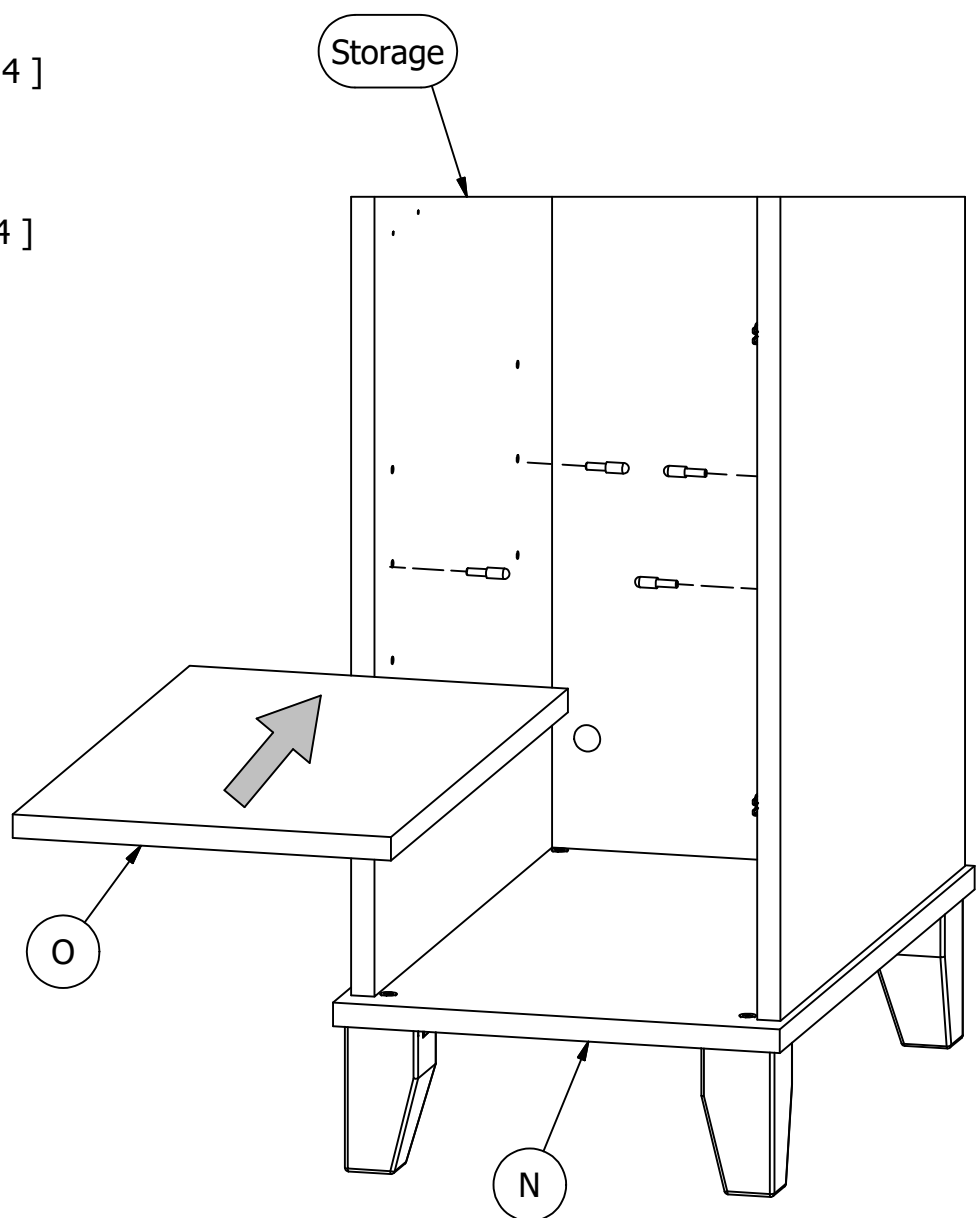
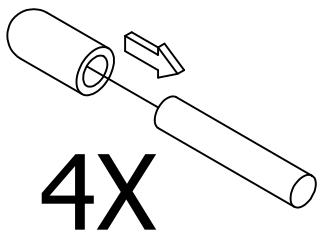
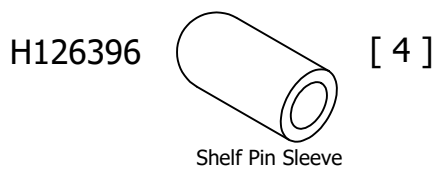
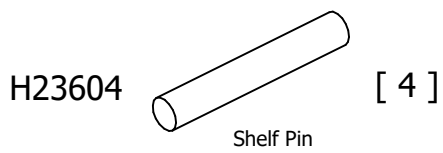
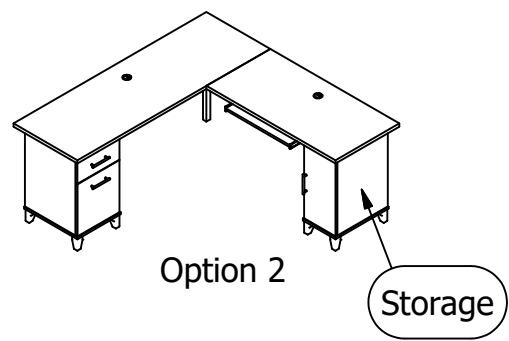
Team Lift



Have an assembly question or need a replacement part? Just call **1-800-950-4782**, we are here to help.



OR  
O  
OU





# STEP 48

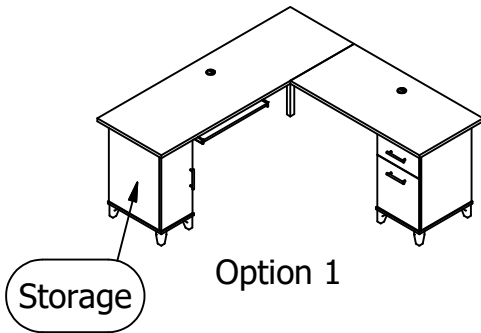
# Attach Panel

A186366H

Scan QR Code to Watch Video on:

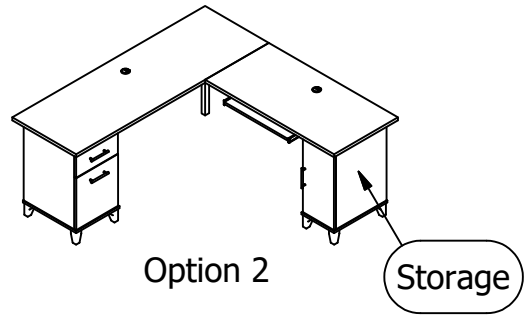


How to Adjust Door Hinges

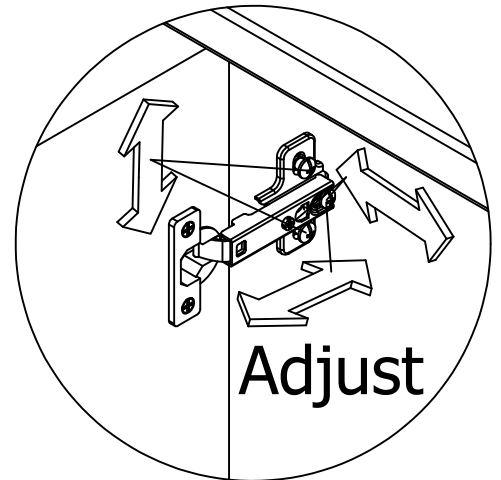
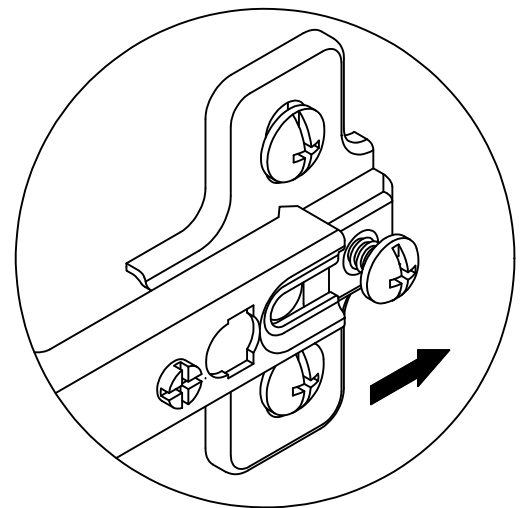
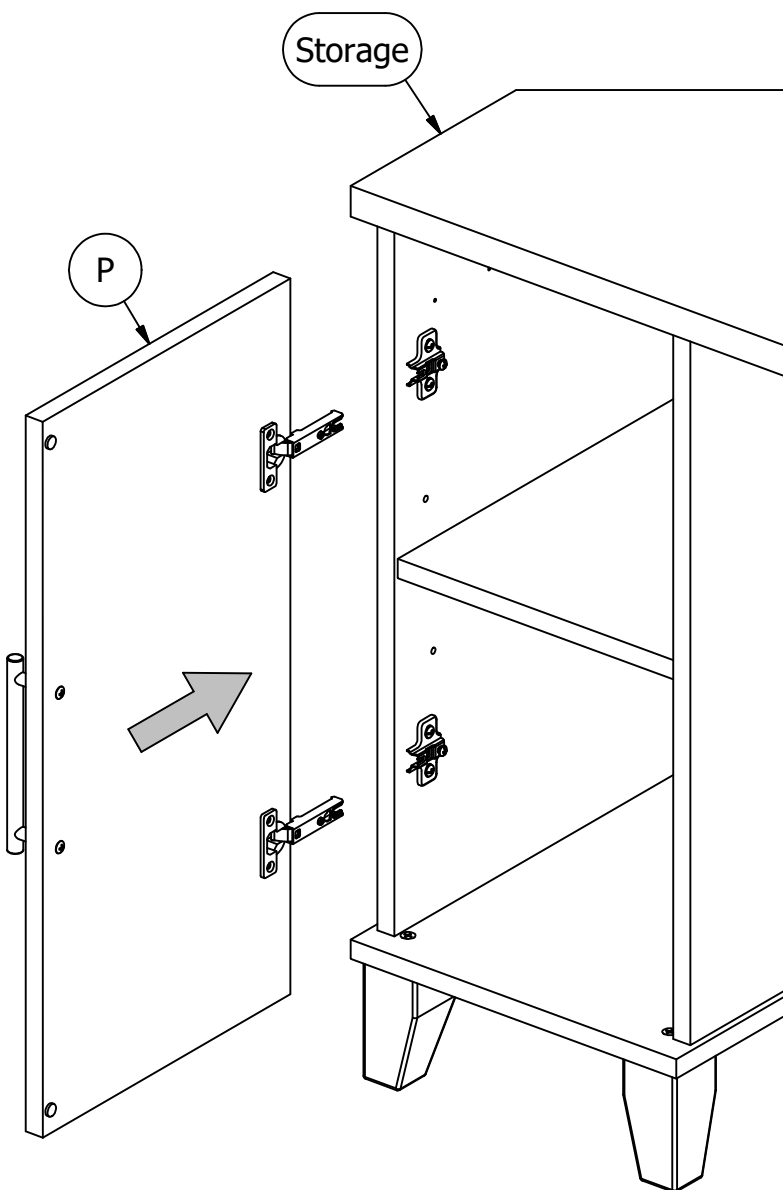


Option 1

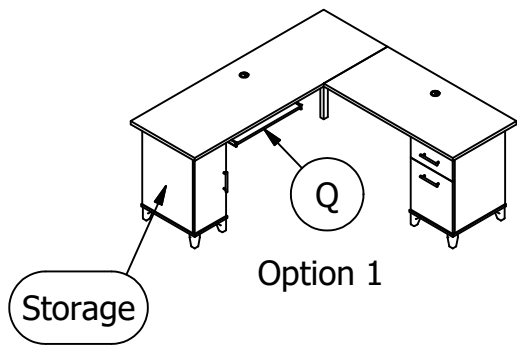
OR  
O  
OU



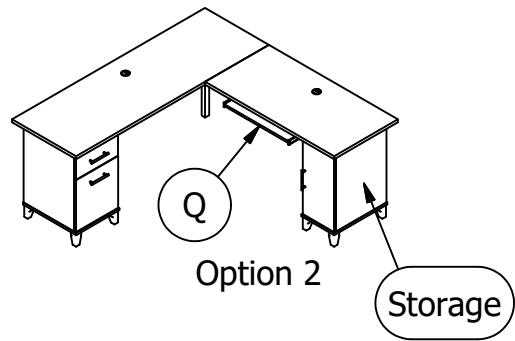
Option 2



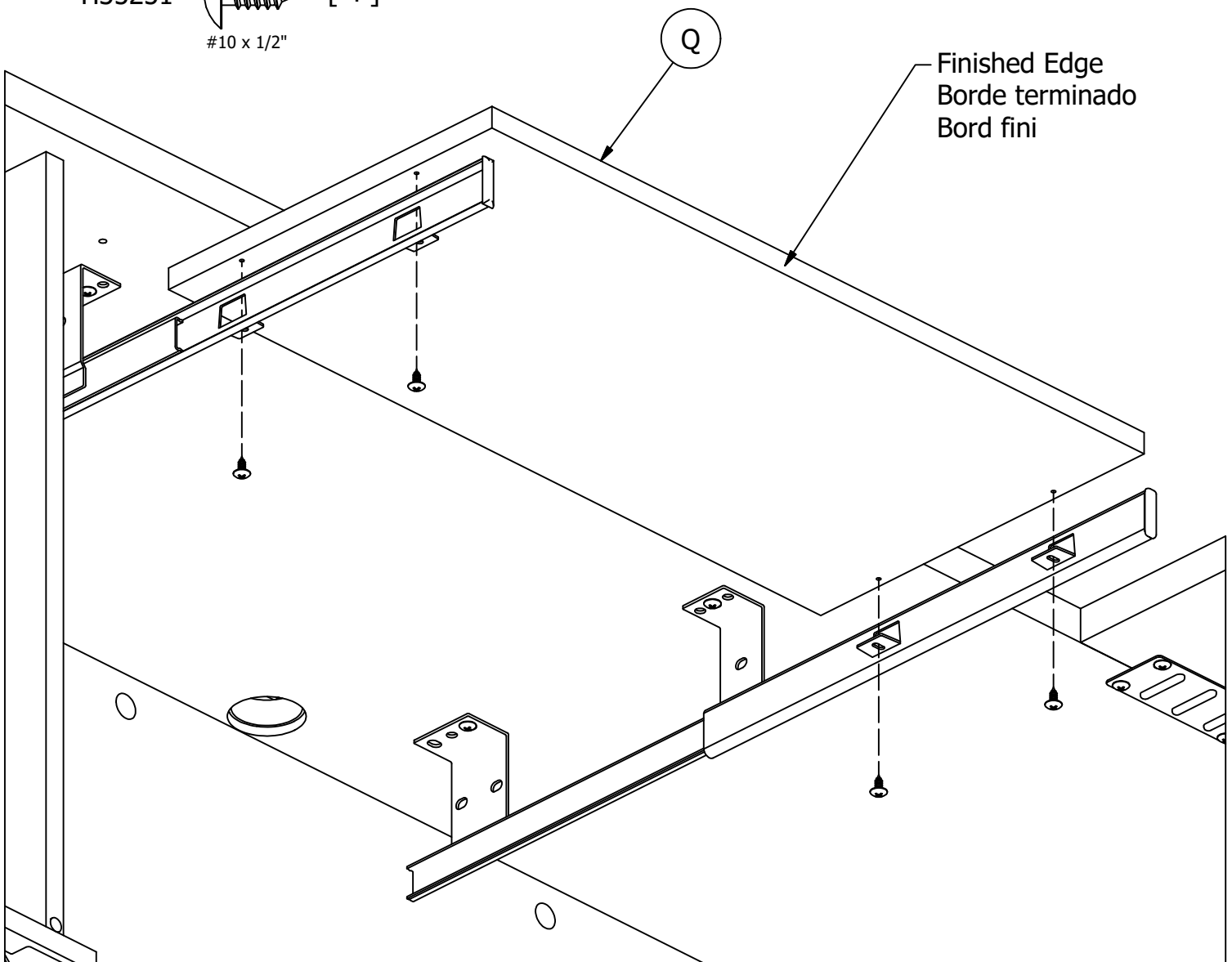
Have an assembly question or need a replacement part? Just call **1-800-950-4782**, we are here to help.



OR  
O  
OU



H35251 [ 4 ]  
#10 x 1/2"



Have an assembly question or need a replacement part? Just call  
**1-800-950-4782**, we are here to help.

# STEP 50

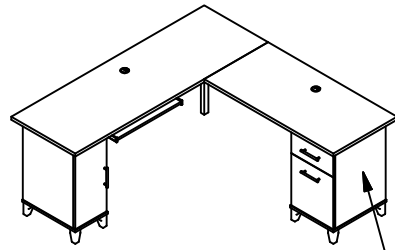
# Insert Drawers

A186366H

Scan QR Code to Watch Video on:



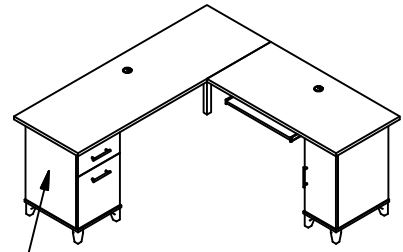
How to Separate and Install Drawer Slides



Option 1

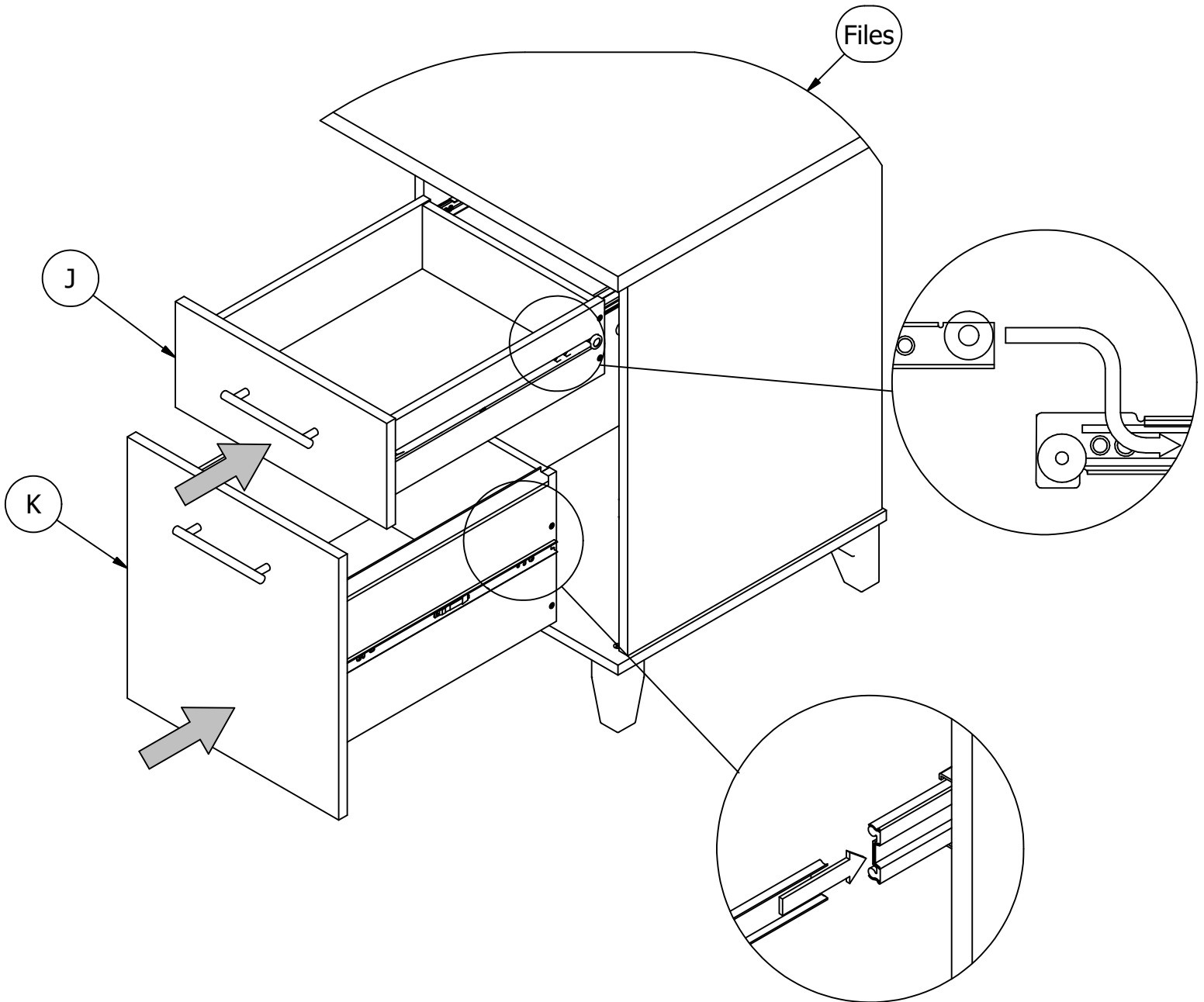
Files

OR  
O  
OU



Option 2

Files



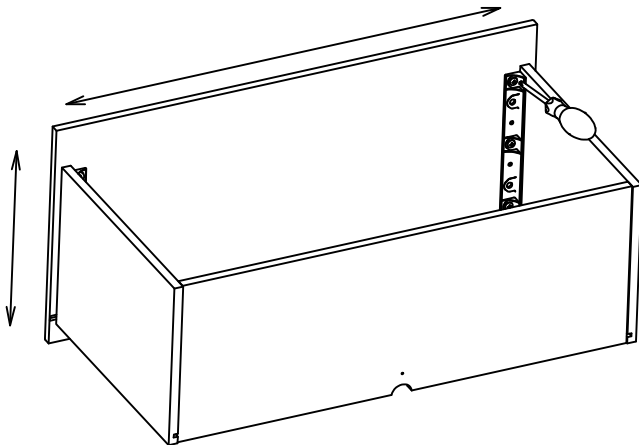
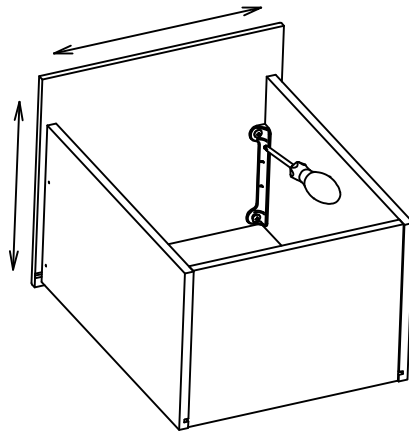
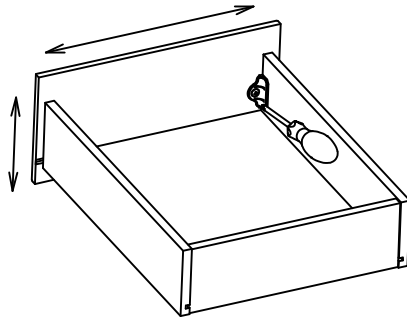
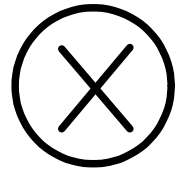
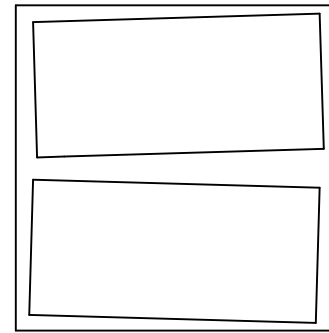
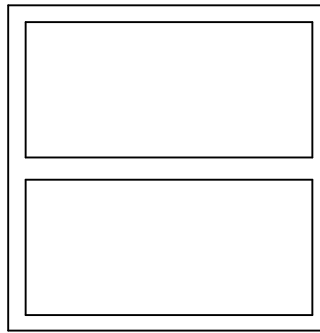
Have an assembly question or need a replacement part? Just call **1-800-950-4782**, we are here to help.

Scan QR Code to Watch Video on:



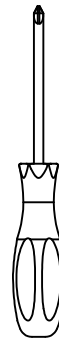
How to Adjust Drawer Fronts

### DRAWER FRONT VIEW



REQUIRED TOOL: PHILLIPS SCREWDRIVER

HERRAMIENTA REQUERIDA: DESTORNILLADOR PHILLIPS  
 OUTIL REQUIS: TOURNEVIS CRUCIFORME



1. LOOSEN SCREWS.
2. ADJUST DRAWER FRONTS.
3. TIGHTEN SCREWS.

1. Afloje los tornillos
2. Ajustar frentes de cajón
3. Apriete los tornillos

1. Desserrer les vis
2. Ajuster les façades des tiroirs
3. Serrer les vis

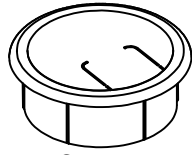
Have an assembly question or need a replacement part? Just call  
**1-800-950-4782**, we are here to help.

Scan QR Code to Watch Video on:



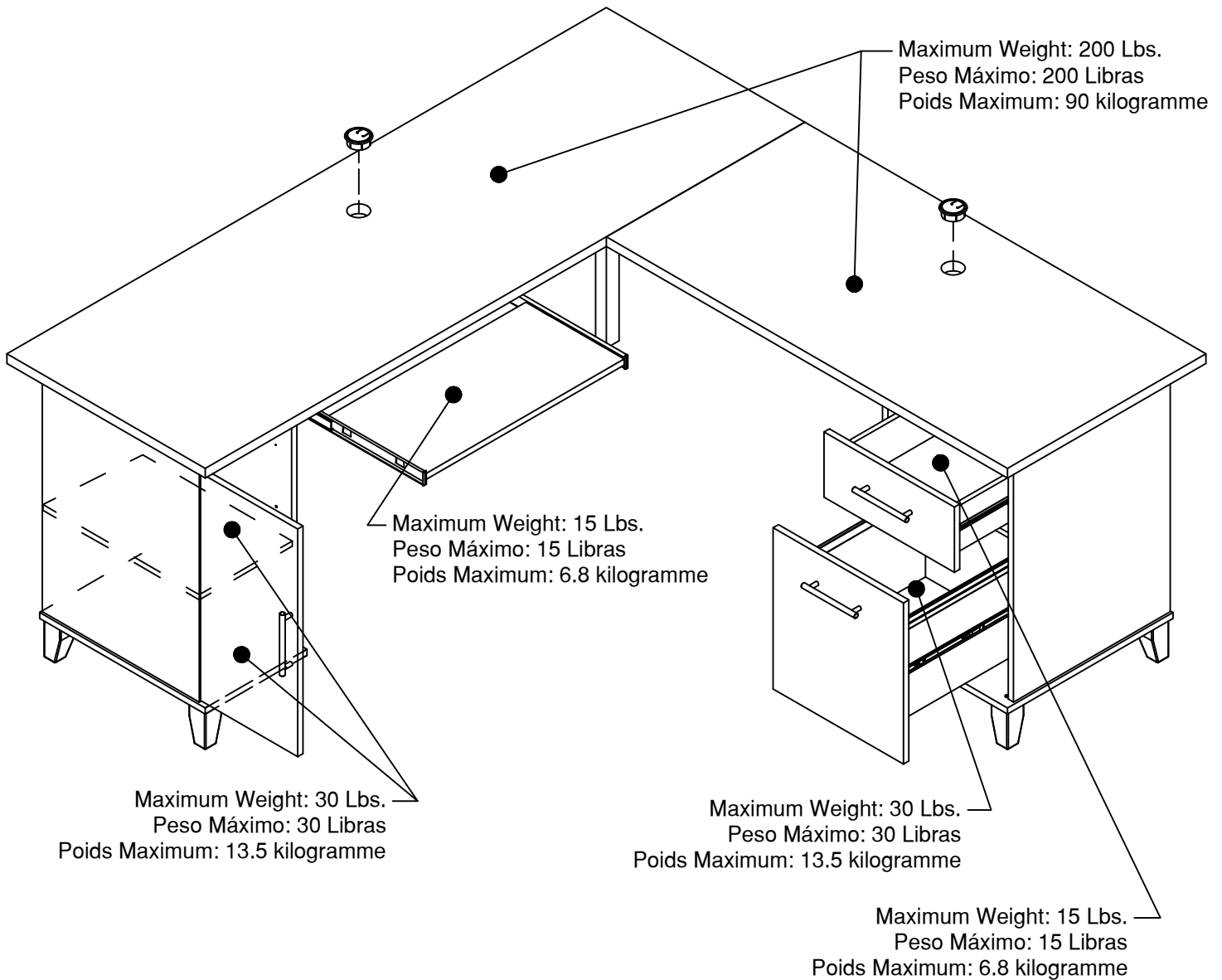
How to Clean the Surface

Gently clean surfaces with a damp sponge eraser.



[ 2 ]

Grommet

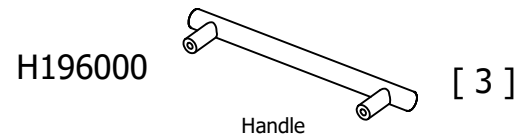
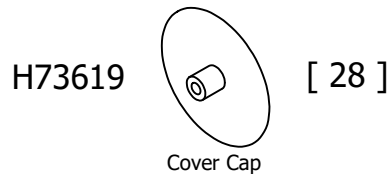
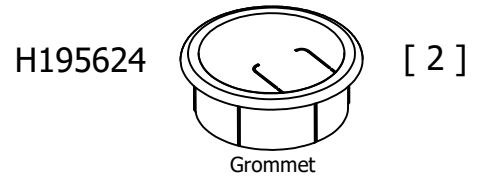
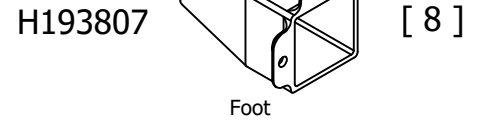


Congratulations! You are all done. If you have any questions or concerns, please call.

Have an assembly question or need a replacement part? Just call **1-800-950-4782**, we are here to help.

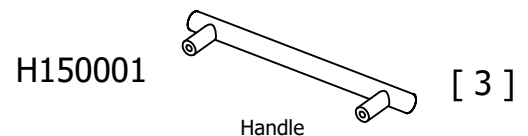
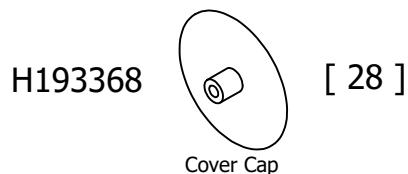
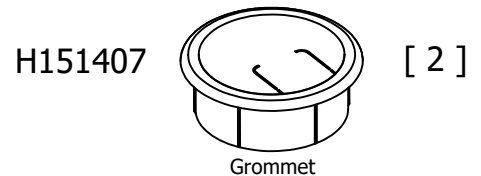
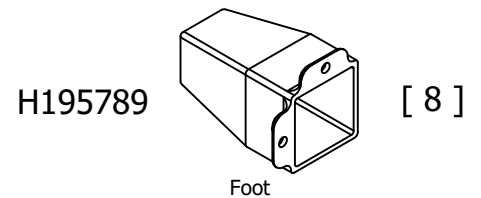
## WC81010

A	W200549	[ 1 ]	N	W196055	[ 1 ]
B	W200550	[ 1 ]	O	W200724	[ 1 ]
C	W218682	[ 1 ]	P	W193865	[ 1 ]
D	W218683	[ 1 ]	Q	W200559	[ 1 ]
E	W196047	[ 1 ]	R	W193867	[ 1 ]
F	W196048	[ 1 ]	S	W193868	[ 1 ]
G	W196049	[ 1 ]	T	W106489	[ 2 ]
H	W196050	[ 1 ]	U	W192433	[ 1 ]
J	W218511	[ 1 ]	V	W215261	[ 2 ]
K	W218512	[ 1 ]	W	W218468	[ 1 ]
L	W218684	[ 1 ]	X	W87410	[ 2 ]
M	W218685	[ 1 ]			



## WC81110

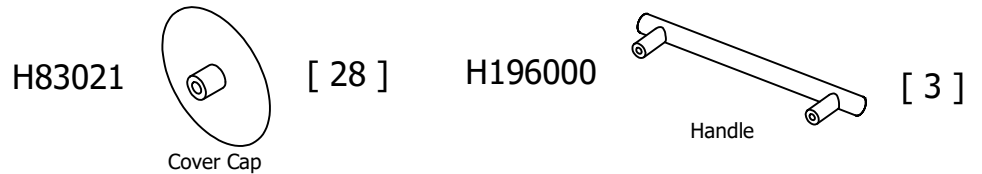
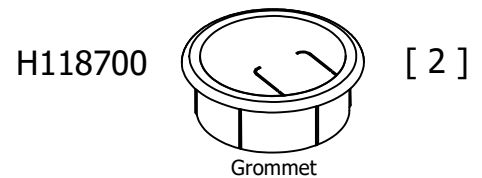
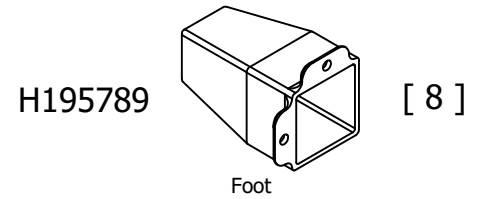
A	W200455	[ 1 ]	N	W200467	[ 1 ]
B	W200456	[ 1 ]	O	W200468	[ 1 ]
C	W218686	[ 1 ]	P	W200469	[ 1 ]
D	W218687	[ 1 ]	Q	W200472	[ 1 ]
E	W200459	[ 1 ]	R	W200470	[ 1 ]
F	W200460	[ 1 ]	S	W200471	[ 1 ]
G	W200461	[ 1 ]	T	W106489	[ 2 ]
H	W200462	[ 1 ]	U	W192433	[ 1 ]
J	W218513	[ 1 ]	V	W215261	[ 2 ]
K	W218514	[ 1 ]	W	W218468	[ 1 ]
L	W218688	[ 1 ]	X	W87410	[ 2 ]
M	W218689	[ 1 ]			



Have an assembly question or need a replacement part? Just call  
**1-800-950-4782**, we are here to help.

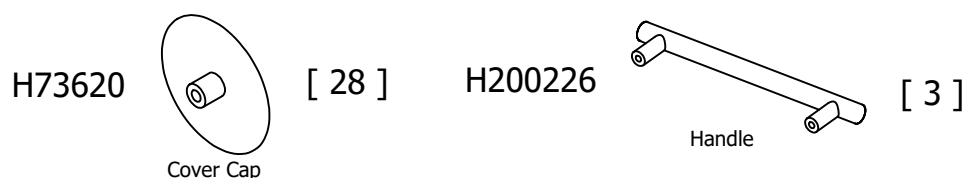
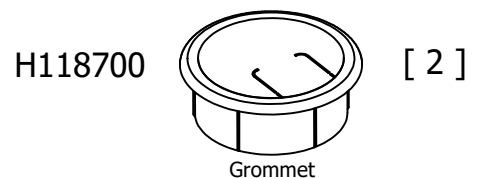
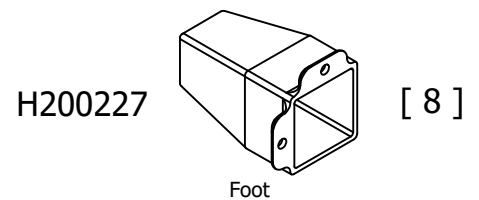
## WC81210

A	W195836	[ 1 ]	N	W195848	[ 1 ]
B	W195837	[ 1 ]	O	W195849	[ 1 ]
C	W218690	[ 1 ]	P	W195850	[ 1 ]
D	W218691	[ 1 ]	Q	W195853	[ 1 ]
E	W195840	[ 1 ]	R	W195851	[ 1 ]
F	W195841	[ 1 ]	S	W195852	[ 1 ]
G	W195842	[ 1 ]	T	W106489	[ 2 ]
H	W195843	[ 1 ]	U	W192433	[ 1 ]
J	W218515	[ 1 ]	V	W215261	[ 2 ]
K	W218516	[ 1 ]	W	W218468	[ 1 ]
L	W218692	[ 1 ]	X	W87410	[ 2 ]
M	W218693	[ 1 ]			



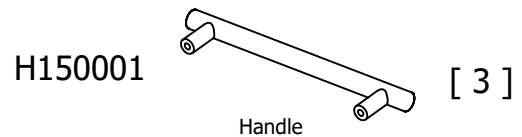
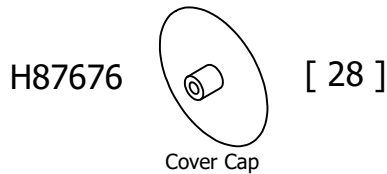
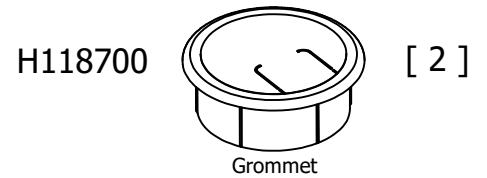
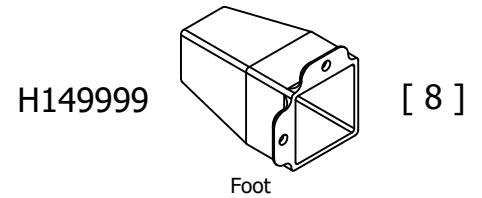
## WC81310

A	W200361	[ 1 ]	N	W200373	[ 1 ]
B	W200362	[ 1 ]	O	W200374	[ 1 ]
C	W218694	[ 1 ]	P	W200375	[ 1 ]
D	W218695	[ 1 ]	Q	W200378	[ 1 ]
E	W200365	[ 1 ]	R	W200376	[ 1 ]
F	W200366	[ 1 ]	S	W200377	[ 1 ]
G	W200367	[ 1 ]	T	W106489	[ 2 ]
H	W200368	[ 1 ]	U	W192433	[ 1 ]
J	W218517	[ 1 ]	V	W215261	[ 2 ]
K	W218518	[ 1 ]	W	W218468	[ 1 ]
L	W218696	[ 1 ]	X	W87410	[ 2 ]
M	W218697	[ 1 ]			



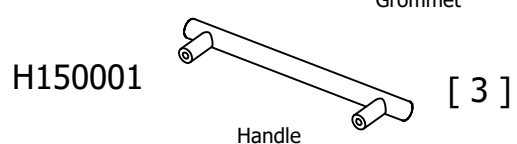
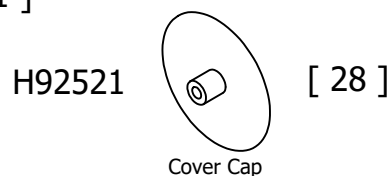
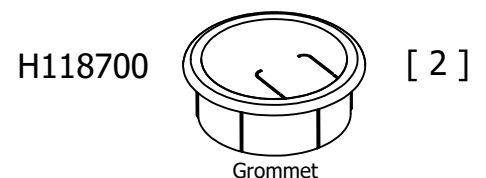
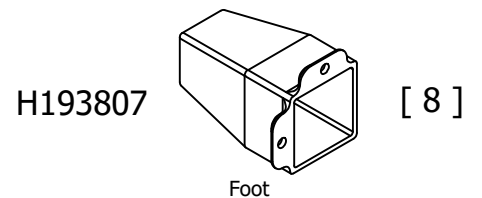
## WC81410C

A	W187360	[ 1 ]	N	W187372	[ 1 ]
B	W187361	[ 1 ]	O	W187373	[ 1 ]
C	W218698	[ 1 ]	P	W187374	[ 1 ]
D	W218699	[ 1 ]	Q	W195729	[ 1 ]
E	W187364	[ 1 ]	R	W187376	[ 1 ]
F	W187365	[ 1 ]	S	W187377	[ 1 ]
G	W187366	[ 1 ]	T	W106489	[ 2 ]
H	W187367	[ 1 ]	U	W192433	[ 1 ]
J	W218519	[ 1 ]	V	W215261	[ 2 ]
K	W218520	[ 1 ]	W	W218468	[ 1 ]
L	W218700	[ 1 ]	X	W87410	[ 2 ]
M	W218701	[ 1 ]			



## WC81510

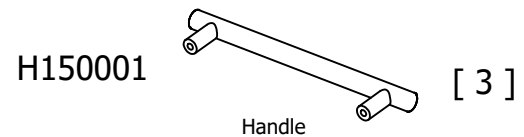
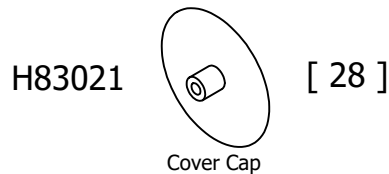
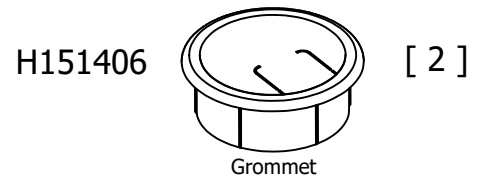
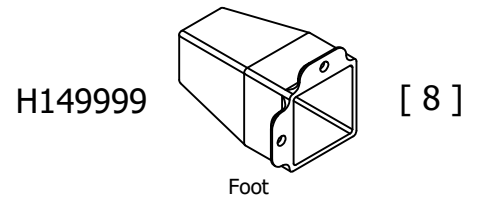
A	W193851	[ 1 ]	N	W193863	[ 1 ]
B	W193852	[ 1 ]	O	W193864	[ 1 ]
C	W218702	[ 1 ]	P	W193865	[ 1 ]
D	W218703	[ 1 ]	Q	W195730	[ 1 ]
E	W193855	[ 1 ]	R	W193867	[ 1 ]
F	W193856	[ 1 ]	S	W193868	[ 1 ]
G	W193857	[ 1 ]	T	W106489	[ 2 ]
H	W193858	[ 1 ]	U	W192433	[ 1 ]
J	W218511	[ 1 ]	V	W215261	[ 2 ]
K	W218512	[ 1 ]	W	W218468	[ 1 ]
L	W218704	[ 1 ]	X	W87410	[ 2 ]
M	W218705	[ 1 ]			





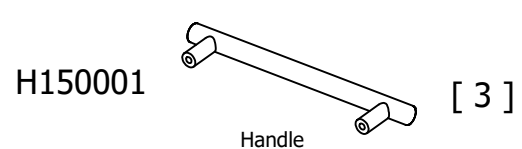
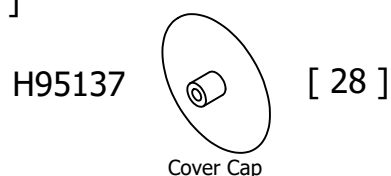
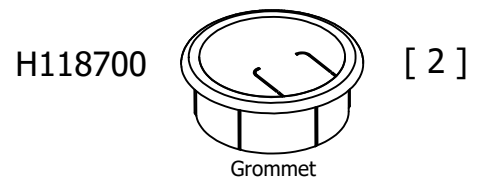
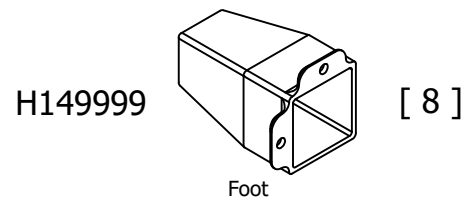
## WC81610

A	W186349	[ 1 ]	N	W186350	[ 1 ]
B	W186359	[ 1 ]	O	W186375	[ 1 ]
C	W218706	[ 1 ]	P	W186365	[ 1 ]
D	W218707	[ 1 ]	Q	W195731	[ 1 ]
E	W186353	[ 1 ]	R	W186363	[ 1 ]
F	W186361	[ 1 ]	S	W186364	[ 1 ]
G	W186354	[ 1 ]	T	W106489	[ 2 ]
H	W186362	[ 1 ]	U	W192433	[ 1 ]
J	W218523	[ 1 ]	V	W215261	[ 2 ]
K	W218524	[ 1 ]	W	W218468	[ 1 ]
L	W218708	[ 1 ]	X	W87410	[ 2 ]
M	W218709	[ 1 ]			



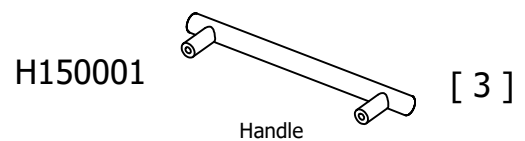
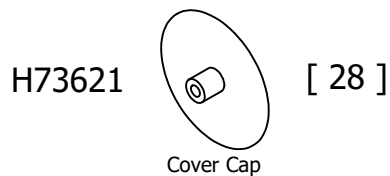
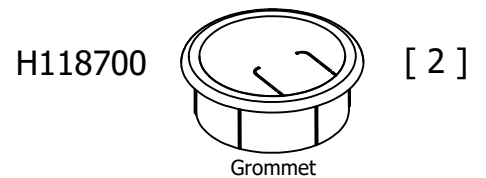
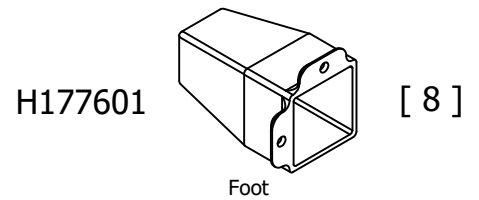
## WC81710C

A	W187378	[ 1 ]	N	W187390	[ 1 ]
B	W187379	[ 1 ]	O	W187391	[ 1 ]
C	W218710	[ 1 ]	P	W187392	[ 1 ]
D	W218711	[ 1 ]	Q	W195732	[ 1 ]
E	W187382	[ 1 ]	R	W187394	[ 1 ]
F	W187383	[ 1 ]	S	W187395	[ 1 ]
G	W187384	[ 1 ]	T	W106489	[ 2 ]
H	W187385	[ 1 ]	U	W192433	[ 1 ]
J	W218525	[ 1 ]	V	W215261	[ 2 ]
K	W218526	[ 1 ]	W	W218468	[ 1 ]
L	W218712	[ 1 ]	X	W87410	[ 2 ]
M	W218713	[ 1 ]			



## WC81810C

A	W187396	[ 1 ]	N	W187408	[ 1 ]
B	W187397	[ 1 ]	O	W187409	[ 1 ]
C	W218714	[ 1 ]	P	W187410	[ 1 ]
D	W218715	[ 1 ]	Q	W195733	[ 1 ]
E	W187400	[ 1 ]	R	W187412	[ 1 ]
F	W187401	[ 1 ]	S	W187413	[ 1 ]
G	W187402	[ 1 ]	T	W106489	[ 2 ]
H	W187403	[ 1 ]	U	W192433	[ 1 ]
J	W218527	[ 1 ]	V	W215261	[ 2 ]
K	W218528	[ 1 ]	W	W218468	[ 1 ]
L	W218716	[ 1 ]	X	W87410	[ 2 ]
M	W218717	[ 1 ]			



## WC81910

A	W196043	[ 1 ]	N	W196055	[ 1 ]
B	W196044	[ 1 ]	O	W196056	[ 1 ]
C	W218682	[ 1 ]	P	W196057	[ 1 ]
D	W218683	[ 1 ]	Q	W196060	[ 1 ]
E	W196047	[ 1 ]	R	W196058	[ 1 ]
F	W196048	[ 1 ]	S	W196059	[ 1 ]
G	W196049	[ 1 ]	T	W106489	[ 2 ]
H	W196050	[ 1 ]	U	W192433	[ 1 ]
J	W218529	[ 1 ]	V	W215261	[ 2 ]
K	W218530	[ 1 ]	W	W218468	[ 1 ]
L	W218684	[ 1 ]	X	W87410	[ 2 ]
M	W218685	[ 1 ]			

