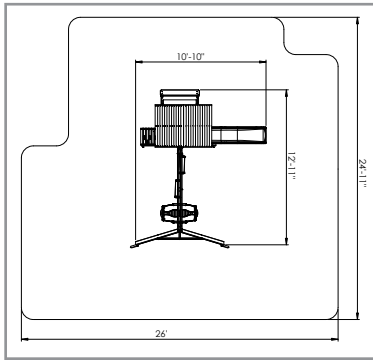


# WINDALE PLAY SYSTEM – F23220

## INSTALLATION AND OPERATING INSTRUCTIONS



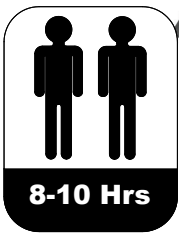
**! WARNING** To reduce the risk of serious injury or death, you must read and follow these instructions. Keep and refer to these instructions often and give them to any future owner of this play system. Manufacturer contact information provided below.

OBSTACLE FREE SAFETY ZONE - 24'11" x 26' (7.348m x 7.924m) area requires Protective Surfacing. See page 3.

MAXIMUM VERTICAL FALL HEIGHT - 6'5"

CAPACITY - 9 Users Maximum, Ages 3 to 10; Weight Limit 110 lbs. (49.9 kg) per child.

RESIDENTIAL HOME USE ONLY. Not intended for public areas such as schools, churches, nurseries, day cares or parks. Warning. Only for domestic use.



Two person assembly



KidKraft, Inc.  
4630 Olin Road  
Dallas, Texas 75244 USA  
customerservice@kidkraft.com  
canadacustomerservice@kidkraft.com  
1.800.933.0771  
972.385.0100  
For online parts replacement visit  
<https://parts.kidkraft.com/>

KidKraft Netherlands BV  
Olympisch Stadion 8  
1076 DE Amsterdam  
The Netherlands  
europecustomerservice@kidkraft.com  
+31 20 305 8620 M-F from 09:00 to 17:30  
(GMT+1)  
For online parts replacement visit  
<https://parts.kidkraft.eu/>

### Table of Contents

Warnings and Safe Play Instructions.....	pg. 2
Protective Surfacing Guidelines.....	pg. 3
Instructions for Proper Maintenance.....	pg. 4
About Our Wood – Limited Warranty.....	pg. 5
Keys to Assembly Success.....	pg. 7
Metric Conversion Sheets.....	pg. 8
Part ID.....	pg. 10
Installation of I.D./Warning Plaque.....	Final Step

9403220

Rev 04/09/2021

## Warnings and Safe Play Instructions



**CONTINUOUS ADULT SUPERVISION REQUIRED.** Most serious injuries and deaths on playground equipment have occurred while children were unsupervised! Our products are designed to meet mandatory and voluntary safety standards. Complying with all warnings and recommendations in these instructions will reduce the risk of serious or fatal injury to children using this play system. Go over the warnings and safe play instructions regularly with your children and make certain that they understand and follow them. Remember on-site adult supervision is required for children of all ages.



### WARNING

#### SERIOUS HEAD INJURY HAZARD

Installation over concrete, asphalt, dirt, grass, carpet and other hard surface creates a risk of serious injury or death from falls to the ground. Install and maintain shock absorbing material under and around play-set as recommended on page 3 of these instructions.

#### COLLISION HAZARD

Place play-set on level ground at least 2m from any obstruction such as a garage or house, fences, poles, trees, sidewalks, walls, landscape timbers, rocks, pavement, planters, garden borders, overhanging branches, laundry lines, and electrical wires. (See OBSTACLE FREE SAFETY ZONE on cover)

#### CHOKING HAZARD/SHARP EDGES & POINTS

Adult assembly required. This product contains small parts and parts with sharp edges and points. Keep parts away from children until fully assembled.

#### WARNING LABEL

Owners shall be responsible for maintaining the legibility of the warning labels.

#### STRANGULATION HAZARD

- NEVER allow children to play with ropes, clotheslines, pet leashes, cables, chains or cord-like items when using this play-set or to attach these items to play-set.
- NEVER allow children to wear loose fitting clothing, ponchos, hoods, scarves, capes, necklaces, items with draw-strings, cords or ties when using this play-set.
- NEVER allow children to wear bike or sport helmets when using this play-set.

Failure to prohibit these items, even helmets with chin straps, increases the risk of serious injury and death to children from entanglement and strangulation.

#### TIP OVER HAZARD

Choose a level location for the equipment. This can reduce the likelihood of the play set tipping over and loose-fill surfacing materials washing away during heavy rains.

DO NOT allow children to play on the play-set until the assembly is complete and the unit is properly anchored.

Never add extra length to chain or rope. The chains or ropes provided are the maximum length designed for the swinging element(s).



### WARNING – Safe Play Instructions

- ✓ Observe capacity limitations of your play-set. See front cover.
- ✓ Dress children with well fitting and full foot enclosing footwear.
- ✓ Teach children to sit with their full weight in the center of the swing seat to prevent erratic swing motion or falling off.
- ✓ Check for splintered, broken or cracked wood; missing, loose, or sharp edged hardware. Replace, tighten and or sand smooth as required prior to playing.
- ✓ Verify that suspended climbing ropes, rope ladders, chain or cable are secured at both ends and cannot be looped back on itself as to create an entanglement hazard.
- ✓ On sunny and or hot days, check the slide and other plastic rides to assure that they are not very hot as to cause burns. Cool hot slide and rides with water and wipe dry prior to using.
- ✓ Orientate slide such that it gets the least amount of exposure to the sun.
- ✗ Do not allow children to wear open toe or heel footwear like sandals, flip-flops or clogs.
- ✗ Do not allow children to walk, in front, between, behind or close to moving rides.
- ✗ Do not let children twist swing chains or ropes or loop them over the top support bar. This may reduce the strength of the chain or rope and cause premature failure.
- ✗ Do not let children get off rides while they are in motion.
- ✗ Do not permit climbing on equipment when it is wet.
- ✗ Do not permit rough play or use of equipment in a manner for which it was not intended. Standing on or jumping from the roof, elevated platforms, swings, climbers, ladders or slide can be dangerous.
- ✗ Do not allow children to swing empty rides or seats.
- ✗ Do not allow children to go down slide head first or run up slide.

# ! Protective Surfacing - Reducing Risk of Serious Head Injury From Falls

One of the most important things you can do to reduce the likelihood of serious head injuries is to install shock-absorbing protective surfacing under and around your play equipment. The protective surfacing should be applied to a depth that is suitable for the equipment height in accordance with ASTM F1292. There are different types of surfacing to choose from; whichever product you select, follow these guidelines:

## Loose-Fill Materials

- Maintain a minimum depth of 9 inches (23 cm) of loose-fill materials such as wood mulch/chips, engineered wood fiber (EWF), or shredded/recycled rubber mulch for equipment up to 8 feet (2,45 m) high; and 9 inches (23 cm) of sand or pea gravel for equipment up to 5 feet (1,5 m) high. NOTE: An initial fill level of 12 inches (31 cm) will compress to about a 9-inch (23 cm) depth of surfacing over time. The surfacing will also compact, displace, and settle, and should be periodically raked and refilled to maintain at least a 9-inch (23 cm) depth.
- Use a minimum of 6 inches (16 cm) of protective surfacing for play equipment less than 4 feet (1,22 m) in height. If maintained properly, this should be adequate. (At depths less than 6 inches (16 cm), the protective material is too easily displaced or compacted.)

NOTE: Do not install home playground equipment over concrete, asphalt, or any other hard surface. A fall onto a hard surface can result in serious injury to the equipment user. Grass and dirt are not considered protective surfacing because wear and environmental factors can reduce their shock absorbing effectiveness. Carpeting and thin mats are not adequate protective surfacing. Ground level equipment -- such as a sandbox, activity wall, playhouse or other equipment that has no elevated play surface -- does not need any protective surfacing.

- Use containment, such as digging out around the perimeter and/or lining the perimeter with landscape edging. Don't forget to account for water drainage.
- Periodically rake, check and maintain the depth of the loose-fill surfacing material. Marking the correct depth on the play equipment support posts will help you to see when the material has settled and needs to be raked and or replenished. Be sure to rake and evenly redistribute the surfacing in heavily used areas.
- Do not install loose fill surfacing over hard surfaces such as concrete or asphalt.

## Poured-In-Place Surfaces or Pre-Manufactured Rubber Tiles

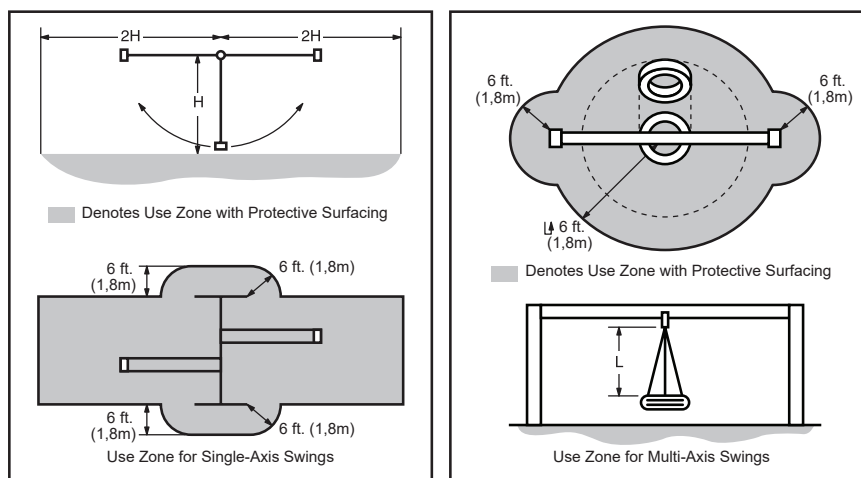
You may be interested in using surfacing other than loose-fill materials - like rubber tiles or poured-in-place surfaces.

- Installations of these surfaces generally require a professional and are not "do-it yourself" projects.
- Review surface specifications before purchasing this type of surfacing. Ask the installer/manufacturer for a report showing that the product has been tested to the following safety standard: ASTM F1292 *Standard Specification for Impact Attenuation of Surfacing Materials within the Use Zone of Playground Equipment*. This report should show the specific height for which the surface is intended to protect against serious head injury. This height should be equal to or greater than the fall height - vertical distance between a designated play surface (*elevated surface for standing, sitting, or climbing*) and the protective surfacing below - of your play equipment.
- Check the protective surfacing frequently for wear.

## Placement

Proper placement and maintenance of protective surfacing is essential. Refer to diagram on front cover. Be sure to;

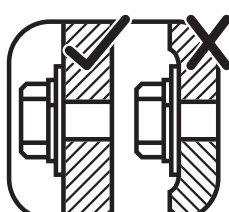
- Extend surfacing at least 6 feet (1,8 m) from the equipment in all directions.
- For to-fro swings, extend protective surfacing in front of and behind the swing to a distance equal to twice the height of the top bar from which the swing is suspended.
- For tire swings, extend surfacing in a circle whose radius is equal to the height of the suspending chain or rope, plus 6 feet (1,8 m) in all directions.



# Instructions for Proper Maintenance

Your KidKraft Play System is designed and constructed of quality materials with your child's safety in mind. As with all outdoor products used by children, it will weather and wear. To maximize the enjoyment, safety and life of your Play Set, it is important that you, the owner, properly maintain it.

## Check the following at the beginning of the play season:

<p><b>HARDWARE:</b></p> <ul style="list-style-type: none"> <li>✓ Check metal parts for rust. If found, sand and repaint using a non-lead paint complying with 16 CFR 1303.</li> <li>✓ Inspect and tighten all hardware. On wood assemblies <b>DO NOT OVER-TIGHTEN</b> as to cause crushing and splintering of wood.</li> <li>✓ Check for sharp edges or protruding screw threads, add washers if required.</li> </ul>  <p>If Bolt protrudes beyond T-Nut</p> <p>Use an extra flat washer</p> <p><b>SHOCK ABSORBING SURFACING:</b></p> <ul style="list-style-type: none"> <li>✓ Check for foreign objects. Rake and check depth of loose fill protective surfacing materials to prevent compaction and maintain appropriate depth. Replace as necessary. (See Protective Surfacing, page 3)</li> </ul>	<p><b>GROUND STAKES (ANCHORS):</b></p> <ul style="list-style-type: none"> <li>✓ Check for looseness, damage or deterioration. Should firmly anchor unit to ground during use. Re-secure and or replace, if necessary.</li> </ul> <p><b>SWING HANGERS:</b></p> <ul style="list-style-type: none"> <li>✓ Check that bolts are secure and tight. Quick clips should be completely closed and threaded clips screwed tight.</li> <li>✓ If squeaking occurs lubricate bushings with oil or WD-40®.</li> </ul> <p><b>SWINGS, ROPES AND RIDES:</b></p> <ul style="list-style-type: none"> <li>✓ Reinstall if removed during cold season. Check all moving parts including swing seats, ropes, chains and attachments for wear, rust and other deterioration. Replace as needed.</li> <li>✓ Check that ropes are tight, secure at both ends and cannot loop back as to create an entrapment.</li> </ul> <p><b>WOOD PARTS:</b></p> <ul style="list-style-type: none"> <li>✓ Check all wood members for deterioration, structural damage and splintering. Sand down splinters and replace deteriorated wood members. As with all wood, some checking and small cracks in grain is normal.</li> <li>✓ Applying a water repellent or stain (water-based) on a yearly basis is important maintenance to maintain maximum life and performance of the product.</li> </ul>
--	---

## Check twice a month during play season:

<p><b>HARDWARE:</b></p> <ul style="list-style-type: none"> <li>✓ Inspect for tightness. Must be firmly against, but not crushing the wood. <b>DO NOT OVER-TIGHTEN.</b> This will cause splintering of wood.</li> <li>✓ Check for sharp edges or protruding screw threads. Add washers if required.</li> </ul>	<p><b>SHOCK ABSORBING SURFACING:</b></p> <ul style="list-style-type: none"> <li>✓ Rake and check depth of loose fill protective surfacing materials to prevent compaction and maintain appropriate depth. Replace as necessary. (See Protective Surfacing, page 3)</li> </ul>
---	---

## Check once a month during play season:

<p><b>SWING HANGERS:</b></p> <ul style="list-style-type: none"> <li>✓ Check that they are secure and orientated correctly. Hook should rotate freely and perpendicular to support beam.</li> <li>✓ If squeaking occurs lubricate bushings with oil or WD-40®.</li> </ul>	<p><b>SWINGS AND RIDES:</b></p> <ul style="list-style-type: none"> <li>✓ Check swing seats, all ropes, chains and attachments for fraying, wear, excessive corrosion or damage. Replace if structurally damaged or deteriorated.</li> </ul>
--	---

## Check at the end of the play season:

<p><b>SWINGS AND RIDES:</b></p> <ul style="list-style-type: none"> <li>✓ To prolong their life, remove swings and store inside when outside temperature is below 32°F/0°C. Below freezing, plastic parts may become more brittle.</li> </ul>	<p><b>SHOCK ABSORBING SURFACING:</b></p> <ul style="list-style-type: none"> <li>✓ Rake and check depth of loose fill protective surfacing materials to prevent compaction and maintain appropriate depth. Replace as necessary. (See Protective Surfacing, page 3)</li> </ul>
--	---

**If you dispose of your play set:** Please disassemble and dispose of your unit so that it does not create any unreasonable hazards at the time it is discarded. Be sure to follow your local waste ordinances.

## About Our Wood

KidKraft Premium Play Systems uses only premium playset lumber, ensuring the safest product for your children's use. Although we take great care in selecting the best quality lumber available, wood is still a product of nature and susceptible to weathering which can change the appearance of your set.

### **What causes weathering? Does it affect the strength of my Play System?**

One of the main reasons for weathering is the effects of water (moisture); the moisture content of the wood at the surface is different than the interior of the wood. As the climate changes, moisture moves in or out of the wood, causing tension which can result in checking and or warping. You can expect the following due to weathering. These changes will not affect the strength of the product:

1. **Checking** is surface cracks in the wood along the grain. A post (4" x 4") will experience more checking than a board (1" x 4") because the surface and interior moisture content will vary more widely than in thinner wood.
2. **Warping** results from any distortion (twisting, cupping) from the original plane of the board and often happens from rapid wetting and drying of the wood.
3. **Fading** happens as a natural change in the wood color as it is exposed to sun-light and will turn a grey over time.

### **How can I reduce the amount of weathering to my Play System?**

At the factory we have coated the wood with a water repellent or stain. This coating decreases the amount of water absorption during rain or snow thus decreasing the tension in the wood. Sunlight will break down the coating, so we recommend applying a water repellent or stain on a yearly basis (see your local stain and paint supplier for a recommended product).

Most weathering is just the normal result of nature and will not affect safe play and enjoyment for your child. However if you are concerned that a part has experienced a severe weathering problem please call our consumer relations department for further assistance.

**Complete and mail registration card to receive important product notifications and assure prompt warranty service.**



# KidKraft Limited Warranty

## MISSING OR DAMAGED PARTS:

KidKraft will replace any parts within 90 days from date of purchase found to be missing from or damaged in the original packaging. See Fig.1

Fig. 1	<u>Product Age (All Parts)</u> 0-90 Days from date of purchase	<u>Consumer Pays</u> \$0 for Part + Free Shipping
--------	---	--

## DEFECTS IN MATERIAL AND WORKMANSHIP:

KidKraft warrants that this product is free from defects in materials and workmanship for a period of one (1) year from the original date of purchase (dated sales receipt and/or product registration is required). This one (1) year warranty covers all parts including wood, hardware, and all accessories (Such as swings, rides, and slides). See Fig. 2

Fig. 2	<u>Product Age (All Parts)</u> 91 Days to 1 Year	<u>Consumer Pays</u> \$0 for Part + Free Shipping
--------	---	--

## WOOD ROT, DECAY, AND INSECT DAMAGE:

All wood carries a five (5) year warranty against rot, decay, and insect damage (dated sales receipt and/or product registration is required). Refer to the schedule below for charges associated with replacement of wood parts under this **Limited Warranty**. See Fig. 3

Fig. 3	<u>Product Age (Wood Parts)</u> 0 Days to 1 Year After 1 Year to 5 Year Over 5 Years	<u>Consumer Pays</u> \$0 for Part + Free Shipping \$0 for Part + Shipping & Handling 100% for Part (if available) + Shipping & Handling
--------	---	--

This warranty applies to the original owner and registrant and is non-transferable. Regular maintenance is required to ensure the integrity of this product. Failure by the owner to maintain the product according to the maintenance requirements may void this warranty.

This Limited Warranty does NOT cover:

- Any inspection cost
- Labor and/or costs for replacement of any defective item(s), including but not limited to, professional installer costs
- Incidental or consequential damages, including but not limited to, as a result of set relocation, move and/or reinstall
- Cosmetic defects which do not affect performance or integrity of a part or the entire product
- Vandalism, improper use or installation, or acts of nature, including but not limited to, high winds, fire, and flood
- Minor twisting, warping, checking, or any natural occurring properties of wood that do not affect performance or integrity.
- Any KidKraft product purchased, including but not limited to, a non-approved retailer, auction houses, second-hand, and as-is clearance items.

KidKraft products have been designed for safety and quality. Modifications made to the original product may damage the structural integrity of the unit leading to failure and possible injury. KidKraft cannot assume any responsibility for the modified products. Furthermore, modifications void all warranties.

This product is warranted for **RESIDENTIAL USE ONLY**. Under no circumstance should a KidKraft product be used in public settings such as schools, churches, playgrounds, parks, home and professional day cares and the like. Such use may lead to product failure and potential injury. Public use will void this warranty. KidKraft disclaims all other representations and warranties of any kind, express or implied.

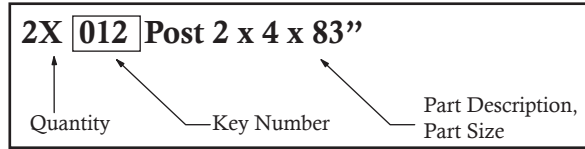
# Keys to Assembly Success

## Tools Required

<ul style="list-style-type: none"> <li>• Tape Measure</li> <li>• Carpenters Level</li> <li>• Carpenters Square</li> <li>• Claw Hammer</li> <li>• Standard or Cordless Drill</li> <li>• Rubber Mallet</li> </ul>	<ul style="list-style-type: none"> <li>• #1 Phillips, #2 Robertson and Screwdriver</li> <li>• Ratchet with extension (1/2" &amp; 9/16" sockets)</li> </ul>	<ul style="list-style-type: none"> <li>• Open End Wrench (1/2" &amp; 9/16")</li> <li>• Adjustable Wrench</li> <li>• 1/8" &amp; 3/16" Drill Bits</li> </ul>	<ul style="list-style-type: none"> <li>• 3/16" Hex Key</li> <li>• 8' Step Ladder</li> <li>• Safety Glasses</li> <li>• Adult Helpers</li> <li>• Pencil</li> </ul>
---	--	--	--








## Part Identification Key

On each page, you will find the parts and quantities required to complete the assembly step illustrated on that page. Here is a sample.



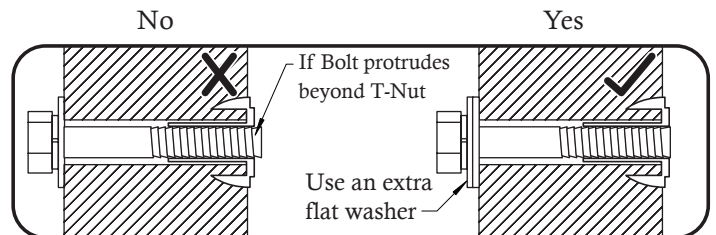
## Symbols

Throughout these instructions symbols are provided as important reminders for proper and safe assembly.

<p>This identifies information that requires special attention. Improper assembly could lead to an unsafe or dangerous condition.</p> 	<p>Check that set or assembly is properly level before proceeding.</p> <p>Use Level</p> 
<p>Use Help</p>  <p>Use Help</p>  <p>Where this is shown, 2 or 3 people are required to safely complete the step. To avoid injury or damage to the assembly make sure to get help!</p>	<p>Pre-drill 1/8" &amp; 3/16" Bit</p> <p>Pre-drill a pilot hole before fastening screw or lag to prevent splitting of wood.</p>
<p>Measure Distance</p>  <p>Check that assembly is square before tightening bolts.</p> <p>Square Assembly</p>  <p>Use a measuring tape to assure proper location.</p>	<p>Tighten Bolts</p>  <p>This indicates time to tighten bolts, but not too tight! Do not crush the wood. This may create splinters and cause structural damage.</p>

## CAUTION – Protrusion Hazard

Once the assembly is tightened, watch for exposed threads. If a thread protrudes from the T-Nut, remove the bolt and add washers to eliminate this condition. Extra washers have been provided for this purpose.

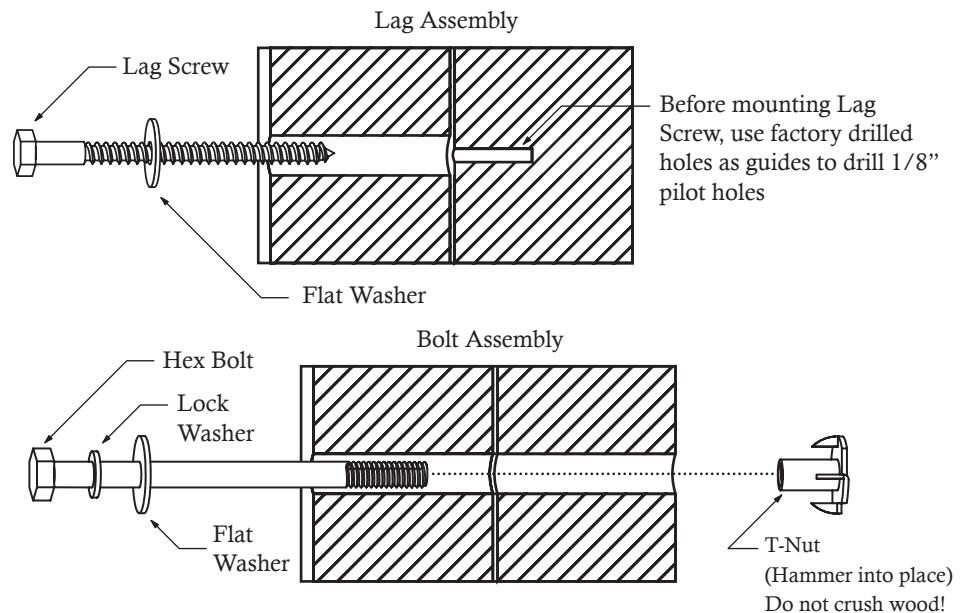


## Proper Hardware Assembly

Lag screws require drilling pilot holes to avoid splitting wood. Only a flat washer is required. For ease of installation liquid soap can be used on all lag-type screws.

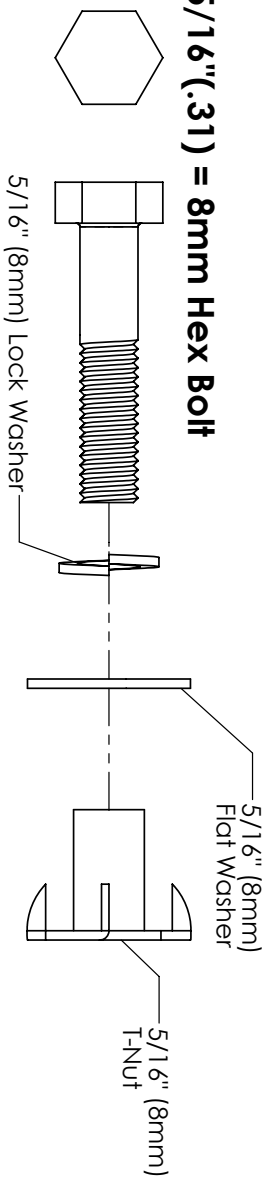
For bolts, tap T-Nut into hole with hammer. Insert the hex bolt through lock washer first then flat washer then hole. Because the assemblies need to be squared do not completely tighten until instructed. Pay close attention to diameter of the bolts. 5/16" is slightly larger than 1/4".

Note: Wafer head bolts with blue lock tight or a bolt with a Ny-Lok nut do NOT require a lock washer.

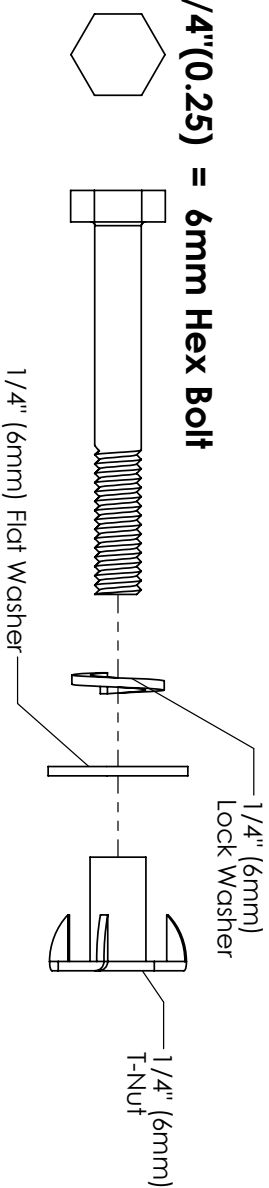


# KIDKRAFT DESIGN HARDWARE

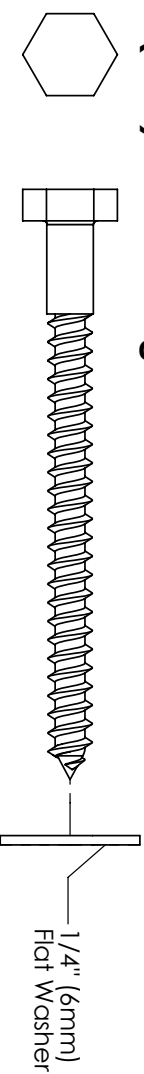
**5/16"(.31) = 8mm Hex Bolt**



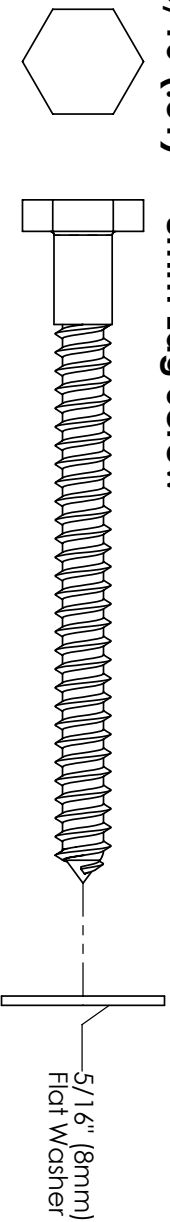
**1/4"(0.25) = 6mm Hex Bolt**



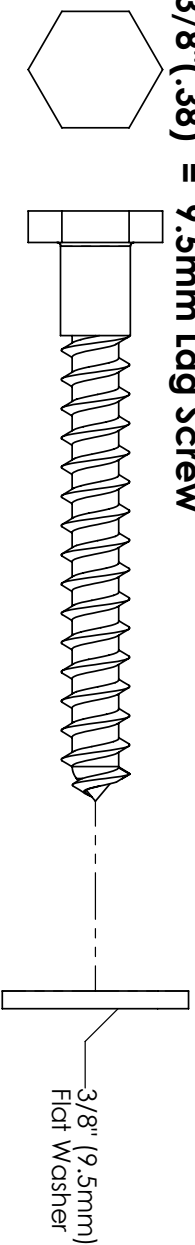
**1/4"(0.25) = 6mm Lag Screw**



**5/16"(.31) = 8mm Lag Screw**



**3/8"(.38) = 9.5mm Lag Screw**



## HARDWARE LENGTH CHART

inches	vs	millimetres
6		152
5½		140
5		127
4½		114
4		102
3½		89
3		76
2½		64
2		51
1½		38
1¼		32
1-1/8		29
1		25.4
7/8		22
3/4		19
1/2		12.7

## DIAMETER CONVERSION

1 inch = 25.4mm

**For example:**

BOLT DIAMETER 5/16 (0.31) inches

0.31 inches x 25.4mm = 8mm

## LENGTH CONVERSION

1 inch = 25.4mm

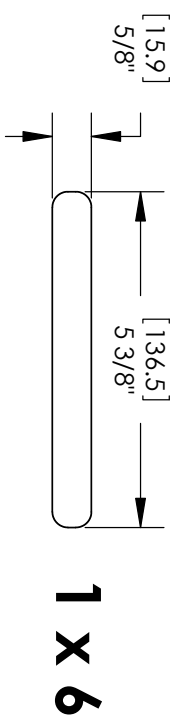
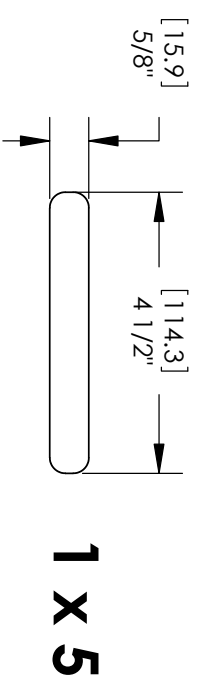
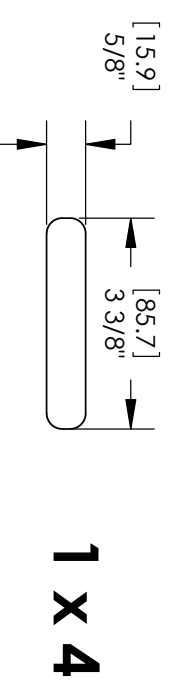
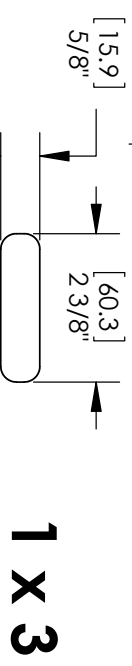
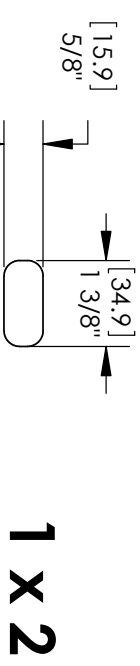
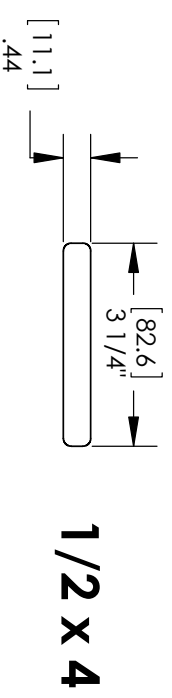
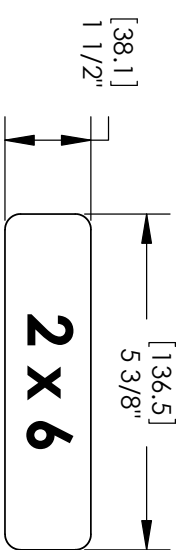
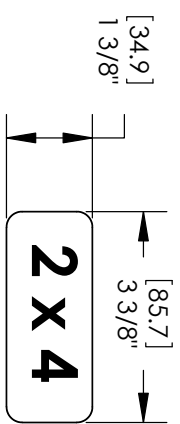
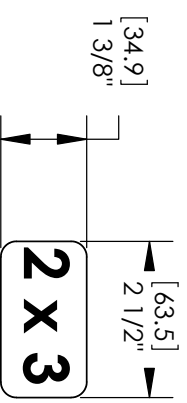
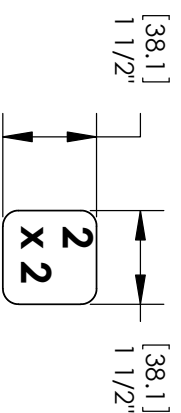
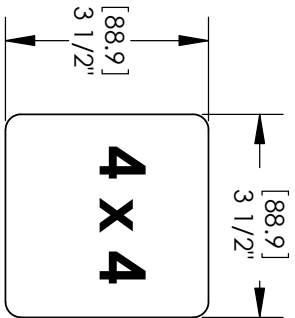
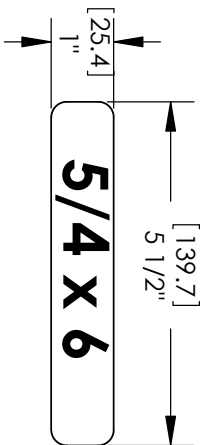
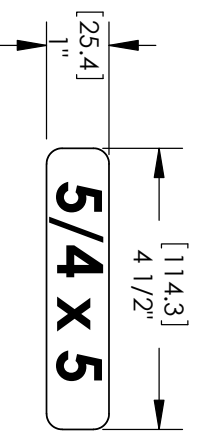
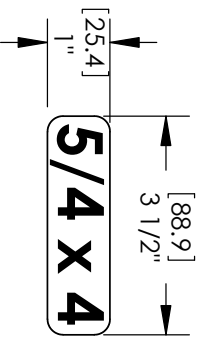
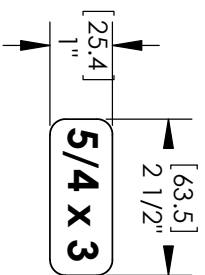
**For example:**

BOLT LENGTH 4½ (4.5) inches long

4.5 inches x 25.4mm = 114mm long



# KIDKRAFT DESIGN WOOD PROFILES



## LENGTH CONVERSION

1 inch = 25.4mm

**For example:**

BOARD LENGTH 59 1/4 (59.25) inches

59.25 inches x 25.4mm = 1505mm

Dimensions in brackets [mm] represent millimetres.

# Part Identification (Reduced Part Size)

Nominal Size	Actual Size
1/2 x 4	7/16" x 3 1/4"
1 x 2	5/8" x 1 3/8"
1 x 3	5/8" x 2 3/8"
1 x 4	5/8" x 3 3/8"

3pc. - **[2232]** - Door Siding 3/8 x 3 1/2 x 11-13/16" - 3602232



1pc. - **[2233]** - Door Siding Top 3/8 x 3 1/2 x 11-13/16" - 3602233



9pc. - **[2219]** - Siding 3/8 x 3-1/2 x 20" - 3672219



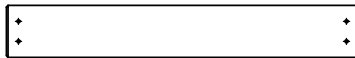
6pc. - **[2220]** - Siding 3/8 x 3-1/2 x 33" - 3672220



24pc. - **[1930]** - Siding 3/8 x 3-1/2 x 41-1/2" - 3671930



12pc. - **[2227]** - Wall Board 1/2 x 4 x 22" - 3672227



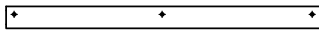
2pc. - **[2230]** - Door Cross 1/2 x 3 3/8 x 15-7/8" - 3602230



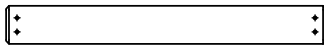
1pc. - **[2231]** - Door Arch 1/2 x 4 1/2 x 15-7/8" - 3602231



2pc. - **[1808]** - Short Trim 1 x 2 x 19-5/8" - 3671808



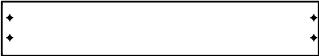
2pc. - **[2214]** - Lower Window 1 x 3 x 20" - 3672214



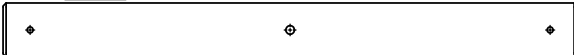
4pc. - **[2222]** - Side Window 1 x 4 x 12-3/4" - 3672222



2pc. - **[1227]** - CE Wall Board 1 x 4 x 20" - 3671227



1pc. - **[2224]** - SW Side 1 x 4 x 35-7/8" - 3672224



1pc. - **[2203]** - Café Side Top 1 x 4 x 35-7/8" - 3672203



# Part Identification (Reduced Part Size)

Nominal Size	Actual Size
1 x 4	$\frac{5}{8}$ " x $3\frac{3}{8}$ "
1 x 5	$\frac{5}{8}$ " x $4\frac{1}{2}$ "
1 x 6	$\frac{5}{8}$ " x $5\frac{3}{8}$ "

2pc. - **2217** - Seat Support 1 x 4 x 35-7/8" - 3672217



1pc. - **2221** - Side Ground 1 x 4 x 35-7/8" - 3672221



2pc. - **1906** - Top Front Back 1 x 4 x 38-1/2" - 3671906



1pc. - **2200** - Back Divider 1 x 4 x 39-3/16" - 3672200



2pc. - **2210** - Front Back Ground 1 x 4 x 53" - 3672210



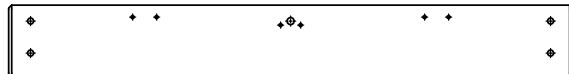
2pc. - **1935** - Side Roof 1 x 4 x 55-1/8" - 3671935



2pc. - **2226** - Wall Board 1 x 5 x 20" - 3672226



1pc. - **2211** - Floor End 1 x 5 x 35-1/4" - 3672211



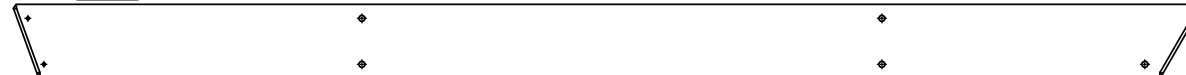
1pc. - **1934** - End Floor 1 x 5 x 35-1/4" - 3671934



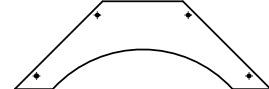
1pc. - **2212** - Floor Front 1 x 5 x 38-1/2" - 3672212



1pc. - **2223** - SW Ground 1 x 5 x 74" - 3672223



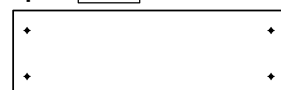
2pc. - **1663** - Roof Arch 1 x 6 x 16" - 3671663



2pc. - **1778** - CE Rock Board A 1 x 6 x 17" - 3671778



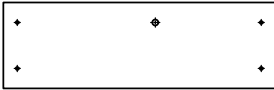
2pc. - **1779** - CE Access Board 1 x 6 x 17" - 3671779



# Part Identification (Reduced Part Size)

Nominal Size	Actual Size
1 x 6	5/8" x 5 3/8"
5/4 x 2	1" x 1 3/8"
5/4 x 3	1" x 2 1/2"
5/4 x 4	1" x 3 1/2"
5/4 x 5	1" x 4 1/2"
5/4 x 6	1" x 5 1/2"

3pc. - **1777** - CE Rock Board B 1 x 6 x 17" - 3671777



4pc. - **2206** - Cedar Floor Board 1 x 6 x 35-3/4" - 3672206



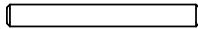
2pc. - **2207** - Cedar Gap Board 1 x 6 x 35-3/4" - 3672207



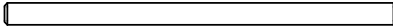
1pc. - **2208** - Centre Gap Board 1 x 6 x 35-3/4" - 3672208



1pc. - **2229** - Window Frame 5/4 x 2 x 12" - 3672229



2pc. - **2205** - Café Upright 5/4 x 2 x 24-1/2" - 3672205



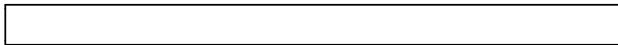
2pc. - **2201** - Café Gusset 5/4 x 2-1/4 x 8" - 3672201



1pc. - **2209** - Door Stop 5/4 x 3 x 10" - 3672209



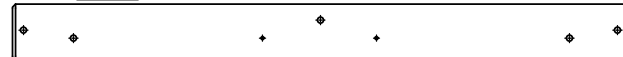
1pc. - **1903** - Floor Joist 5/4 x 3 x 38-1/2" - 3671903



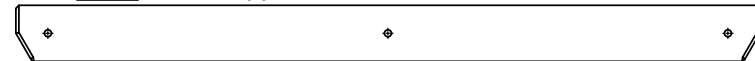
2pc. - **2202** - Café Leg 5/4 x 4 x 14-1/4" - 3672202



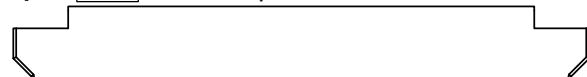
1pc. - **1894** - Back Floor 5/4 x 4 x 38-1/2" - 3671894



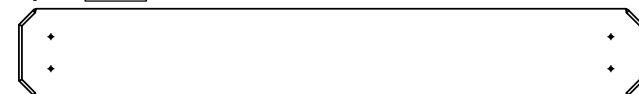
1pc. - **1862** - SW Support 5/4 x 4 x 46-1/2" - 3671862



1pc. - **2204** - Café Top 5/4 x 5 x 36" - 3672204



1pc. - **2216** - Seat 5/4 x 6 x 39" - 3672216

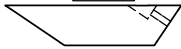


# Part Identification (Reduced Part Size)

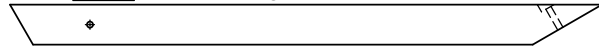
Nominal Size Actual Size

2 x 2	1½" x 1½"
2 x 3	1¾" x 2½"
2 x 4	1¾" x 3¾"
2 x 6	1½" x 5¾"

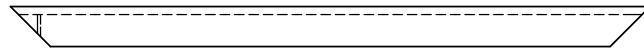
2pc. - **0367** - Floor Gusset 2 x 3 x 11" - 3670367



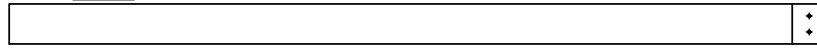
1pc. - **0369** - Lower Diagonal 2 x 3 x 37" - 3670369



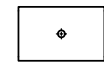
4pc. - **1424** - Roof Support 2 x 3 x 40" - 3671424



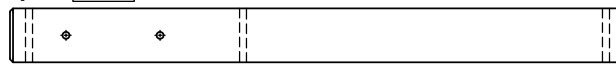
2pc. - **0349** - Rock Rail 2 x 3 x 51" - 3670349



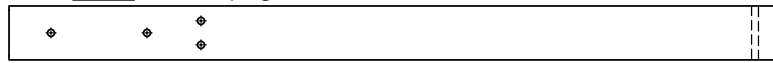
1pc. - **4919** - SW Rail Block 2 x 4 x 5-3/8" - 3674919



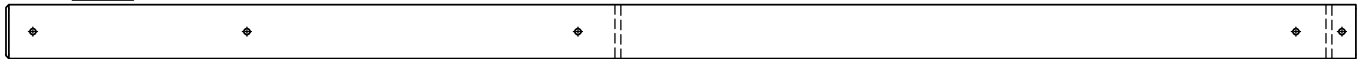
1pc. - **2228** - Wall Mount 2 x 4 x 38-1/4" - 3672228



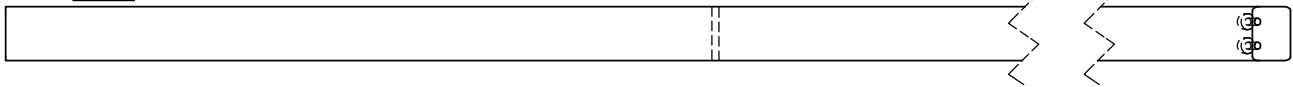
1pc. - **1856** - SW Upright 2 x 4 x 48-5/16" - 3671856



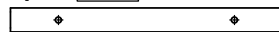
4pc. - **2215** - Post 2 x 4 x 84-3/8" - 3672215



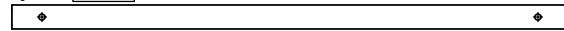
2pc. - **1863** - SW Post 2 x 4 x 86-11/16" - 3671863



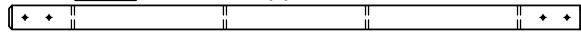
2pc. - **2218** - Short Joist 2 x 2 x 17" - 3672218



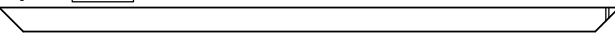
1pc. - **1761** - Side Joist 2 x 2 x 34-3/4" - 3671761



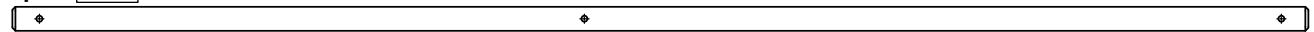
1pc. - **2225** - Table Support 2 x 2 x 35-7/8" - 3672225



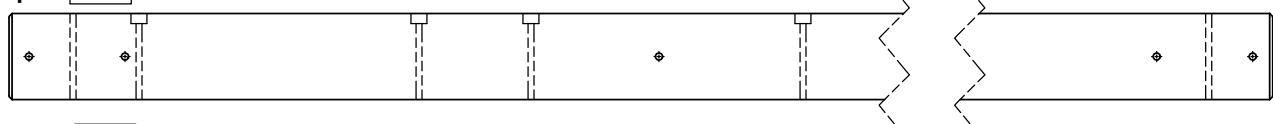
2pc. - **1425** - Roof Joist 2 x 2 x 38-3/4" - 3671425



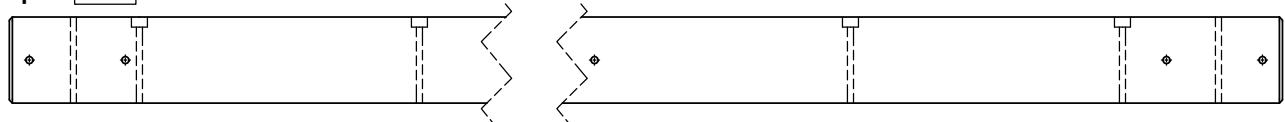
1pc. - **2213** - Front Divider 2 x 2 x 81" - 3672213



1pc. - **1825** - Back Beam 2 x 6 x 83-5/8" - 3671825



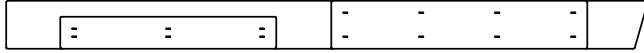
1pc. - **1826** - Front Beam 2 x 6 x 83-5/8" - 3671826



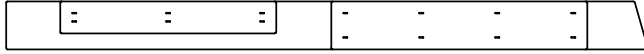


# Part Identification (Reduced Part Size)

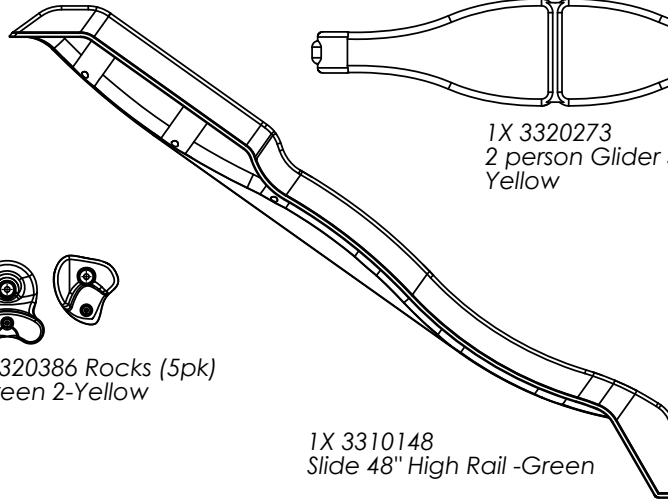
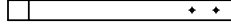
1pc. - **2057** - Door Side Right 1 1/4 x 3 x 40 1/8" - 3602057



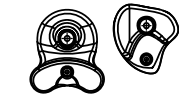
1pc. - **2058** - Door Side Left 1 1/4 x 3 x 40 1/8" - 3602058



4pc. - **0318** - Ground Stake 2 x 2 x 14" - 3650318



1X 3320273  
2 person Glider Seat  
Yellow



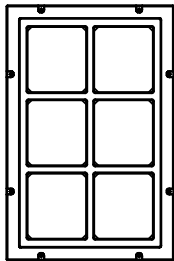
1X 3320386 Rocks (5pk)  
3-Green 2-Yellow

1X 9320374  
KidKraft I.D  
Plaque w hardware

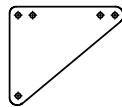
1X 3310148  
Slide 48" High Rail -Green



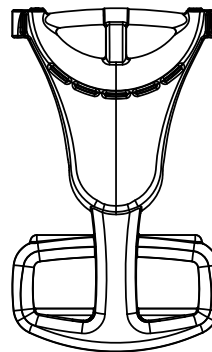
1X 3533860  
39" Glider Rope & Chain  
(4pk) w. welded chain



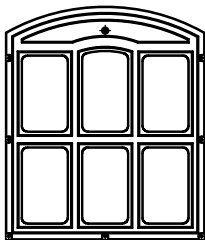
1X 9320146  
Small Window (Green)



1X 3200184  
Triangle Plate (4pk)  
Green



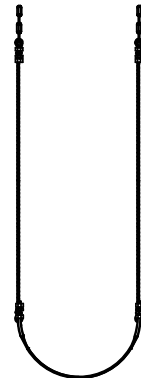
2X 3320172  
2 person Glider End



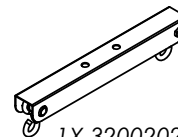
1X 3320165  
6 Pane Arch Window (2 Pk)



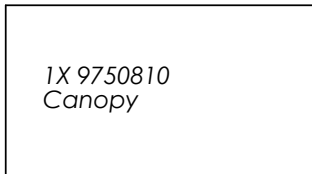
1X 9200014  
#2 Robertson  
Driver



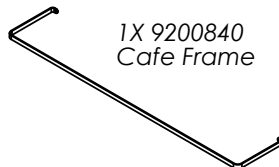
2X 3724943  
42" Belt Swing Yellow  
w.welded chain



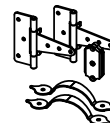
1X 3200202  
Glider Hanger (2pk)



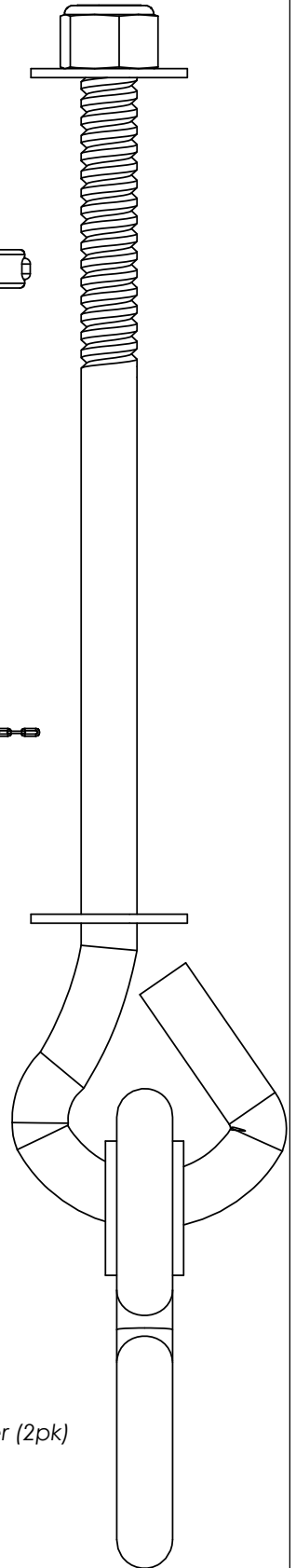
1X 9750810  
Canopy



1X 9200840  
Cafe Frame



1X 3201710  
Door Hardware

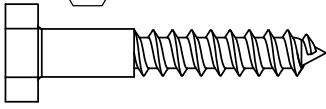


1X 3202000  
Swing Hanger Bolt  
Thru. (4 pk)

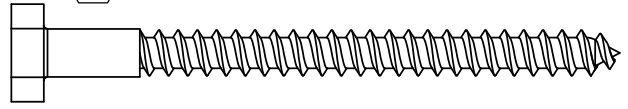
1X 3750220 Cafe Set

# Hardware Identification (Actual Size)

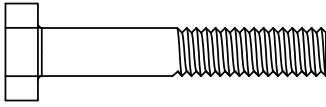
4pc. **LS1** - Lag Screw 1/4 x 1-1/2" - (9262212)



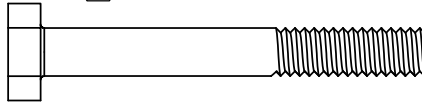
3pc. **LS3** - Lag Screw 1/4 x 3" - (9262230)



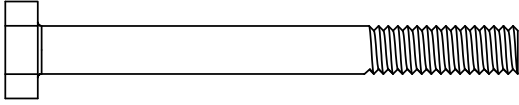
5pc. **H1** - Hex Bolt 1/4 x 1-1/2" - (9277212)



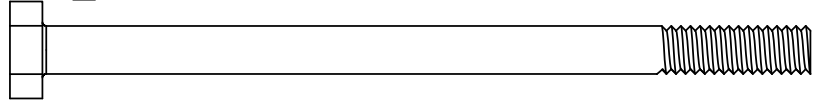
26pc. **H2** - Hex Bolt 1/4 x 2" - (9277220)



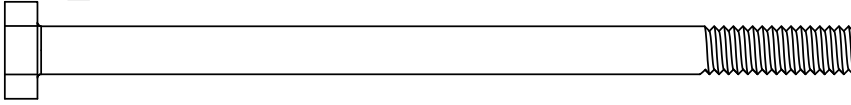
2pc. **H3** - Hex Bolt 1/4 x 2-1/2" - (9277222)



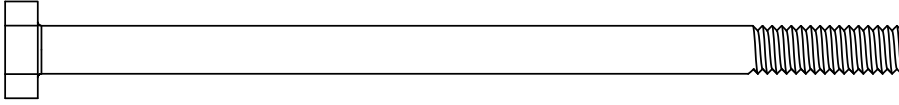
6pc. **H4** - Hex Bolt 1/4 x 4" - (9277240)



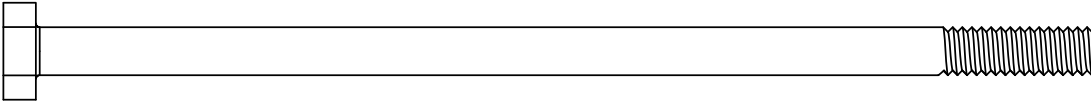
1pc. **H8** - Hex Bolt 1/4 x 4-1/4" - (9277241)



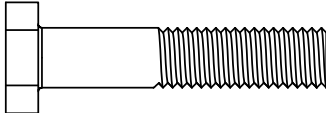
2pc. **H5** - Hex Bolt 1/4 x 4-1/2" - (9277242)



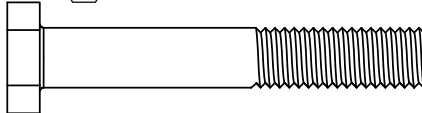
4pc. **H7** - Hex Bolt 1/4 x 5-1/2" - (9277252)



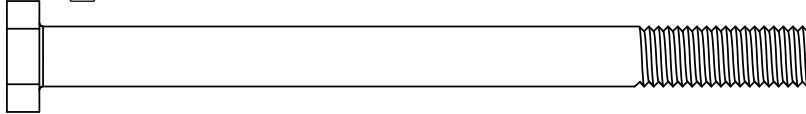
4pc. **G1** - Hex Bolt 5/16 x 1-1/2" - (9277312)



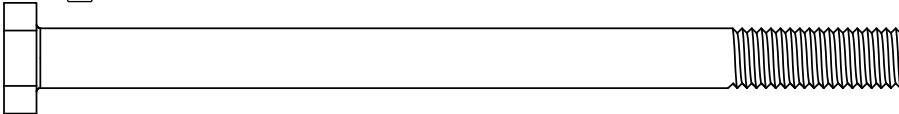
2pc. **G8** - Hex Bolt 5/16 x 2" - (9277320)



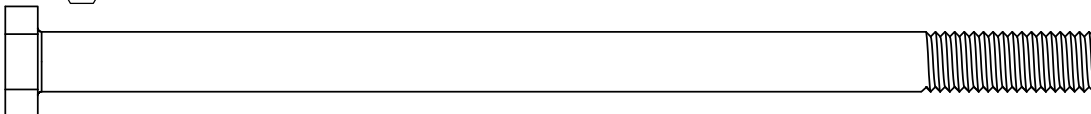
5pc. **G4** - Hex Bolt 5/16 x 4" - (9277340)



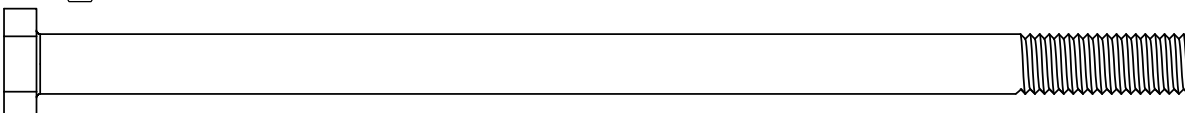
5pc. **G5** - Hex Bolt 5/16 x 4-1/2" - (9277342)



4pc. **G7** - Hex Bolt 5/16 x 5-1/2" - (9277352)

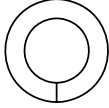


2pc. **Z** - Hex Bolt 5/16 x 6" - (9277360)

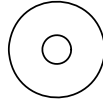


# Hardware Identification (Actual Size)

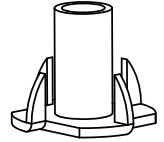
14pc. **LW2** - 5/16" Lock Washer - (9253300)



6pc. **FW3** - #8 Flat Washer - (9251500)



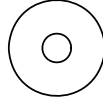
47pc. **TN1** - 1/4" T - Nut -(9285200)



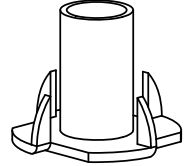
52pc. **LW1** - 1/4" Lock Washer - (9253200)



16pc. **FW0** - 3/16" Flat Washer - (9251100)



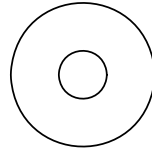
14pc. **TN2** - 5/16" T- Nut - (9285300)



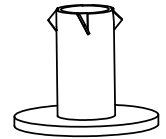
12pc. **LN2** - 5/16" Lock Nut - (9283300)



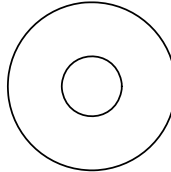
54pc. **FW1** - 1/4" Flat Washer - (9251200)



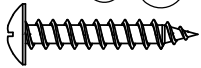
5pc. **BN1** - 1/4" Barrel Nut - (9248200)



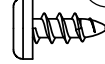
38pc. **FW2** - 5/16" Flat Washer - (9251300)



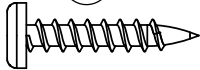
177pc. **S0** / **S22** - Truss Screw #8 x 7/8" - (9229505)



46pc. **S13** - Pan Screw #6 x 5/8" - (9264990)



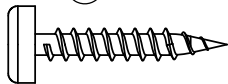
5pc. **S10** - Pan Screw #8 x 1" - (9264510)



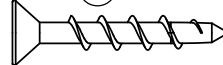
4pc. **S18** - Wood Screw #6 x 1" - (9260910)



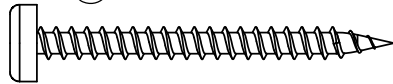
2pc. **S6** - Pan Screw #12 x 1" - (9264610)



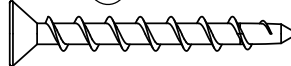
20pc. **S1** - Wood Screw #8 x 1-1/8" - (52042514)



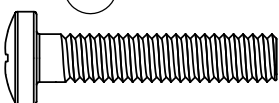
20pc. **S7** - Pan Screw #12 x 2" - (9264620)



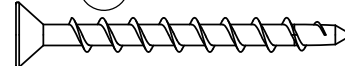
137pc. **S2** - Wood Screw #8 x 1-1/2" - (52042512)



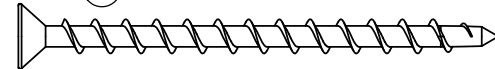
6pc. **PB2** - Pan Bolt 1/4 x 1-1/4" - (9274211)



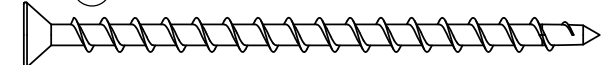
15pc. **S15** - Wood Screw #8 x 1-3/4" - (52043513)



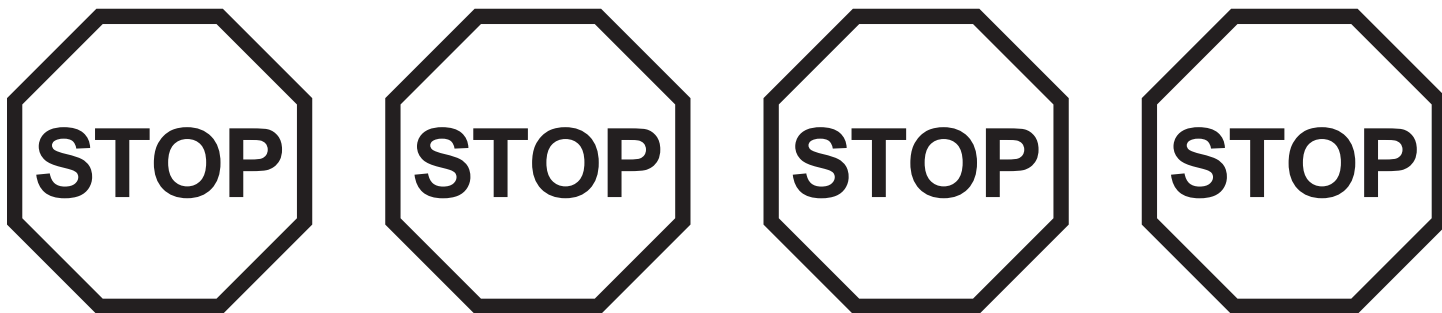
14pc. **S3** - Wood Screw #8 x 2-1/2" - (9290522)



7pc. **S4** - Wood Screw #8 x 3" - (52042530)



# Step 1: Inventory Parts - Read This Before Starting Assembly



- A.** This is the time for you to inventory all your hardware, wood and accessories, referencing the parts identification sheets. This will assist you with your assembly.
- The wood pieces will have the four digit key number stamped on the ends of the boards. The wood pieces are referenced throughout the instructions with this number.
  - Please refer to Page 6 for proper hardware assembly.
  - Each step indicates which bolts and/or screws you will need for assembly, as well as any flat washers, lock washers, t-nuts or lock nuts.
- B.** If there are any missing or damaged pieces or you need assistance with assembly please contact the consumer relations department directly. Call us before going back to the store.

**1.800.933.0771 or 972.385.0100**  
**customerservice@kidkraft.com**  
**canadacustomerservice@kidkraft.com**  
For online parts replacement visit  
<https://parts.kidkraft.com/>

**+31 20 305 8620**  
**europcustomerservice@KidKraft.com**  
For online parts replacement visit  
<https://parts.kidkraft.eu/>

- C.** Read the assembly manual completely, paying special attention to ANSI warnings; notes; and safety/maintenance information.
- D.** Before you discard your cartons fill out the form below.
- The carton I.D. stamp is located on the end of each carton. The tracking number is located on the KidKraft ID Plaque (9320374).
  - Please retain this information for future reference. You will need this information if you contact the Consumer Relations Department.

## MODEL NUMBER: **F23220**

CARTON I.D. STAMP: \_ \_ \_ \_ \_ 14459 \_ (Box 1)

CARTON I.D. STAMP: \_ \_ \_ \_ \_ 14459 \_ (Box 4)

CARTON I.D. STAMP: \_ \_ \_ \_ \_ 14459 \_ (Box 2)

CARTON I.D. STAMP: \_ \_ \_ \_ \_ 14459 \_ (Box 5)

CARTON I.D. STAMP: \_ \_ \_ \_ \_ 14459 \_ (Box 3)

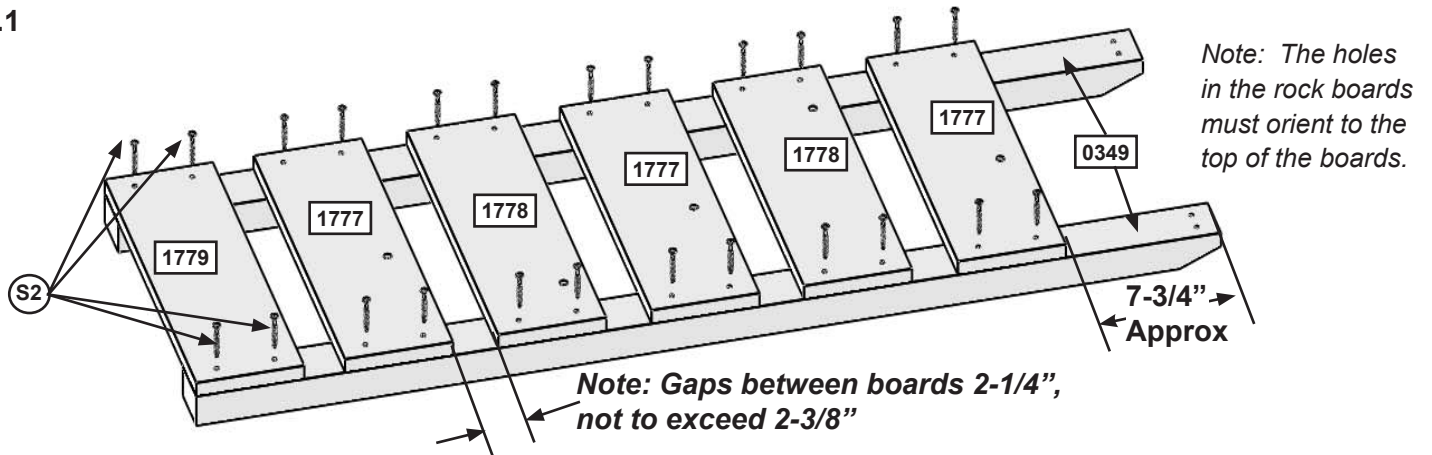
CARTON I.D. STAMP: \_ \_ \_ \_ \_ 14459 \_ (Box 6)

TRACKING NUMBER (from ID Plaque): \_\_\_\_\_

# Step 2: Rock Wall Assembly



Fig. 2.1



**A:** Lay 2 (0349) Rock Rails down, side by side with angled edges facing down. (fig. 2.1)

**B:** Place (1779) CE Access Board on the bottom of each (0349) Rock Rail as shown in fig. 2.1. Make sure (1779) CE Access Board is flush to the outside and bottom edges of each (0349). Attach using 4 (S2) #8 x 1-1/2" Wood Screws.

**C:** 7-3/4" down from the top of both (0349) Rock Rails place 1 (1777) CE Rock Board B, making sure the sides are flush to the outside edges of each (0349) Rock Rail. Attach using 4 (S2) #8 x 1-1/2" Wood Screws. (fig. 2.1)

**D:** In between the (1779) CE Access Board and (1777) CE Rock Board B stagger 2 (1777) and 2 (1778) CE Rock Boards A and B using 4 (S2) #8 x 1-1/2" Wood Screws per board. Placing them as shown in fig. 2.1, this will prevent rocks from forming a straight line. Make sure the boards are evenly spaced and do not exceed 2-3/8" between boards.

Fig. 2.2

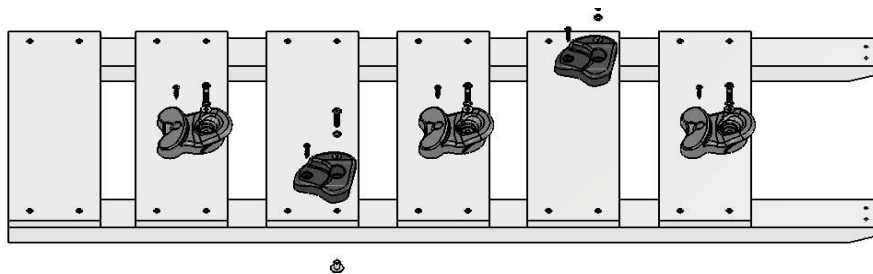
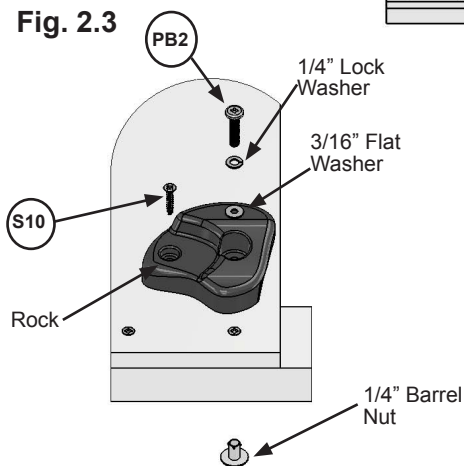


Fig. 2.3



**E:** Place 1 rock on each (1777) and (1778) CE Rock Board A and B (fig. 2.2) and attach using 1 (PB2) 1/4 x 1-1/4" Pan Bolt (with lock washer, flat washer and barrel nut) and 1 (S10) #8 x 1" Pan Screw per rock. The Screw must be in the hole directly under the Pan Bolt, it will stop the rock from spinning. (fig. 2.3)

**Wood Parts**

- 1 x 1779 CE Access Board 1 x 6 x 17"
- 2 x 1778 CE Rock Board A 1 x 6 x 17"
- 3 x 1777 CE Rock Board B 1 x 6 x 17"
- 2 x 0349 Rock Rail 2 x 3 x 51"

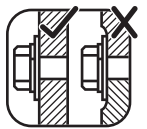
**Hardware**

- 24 x S2 #8 x 1-1/2" Wood Screw
- 5 x S10 #8 x 1" Pan Screw
- 5 x PB2 1/4 x 1-1/4 Pan Bolt (1/4" lock washer, 3/16" flat washer & 1/4" barrel nut)

**Other Parts**

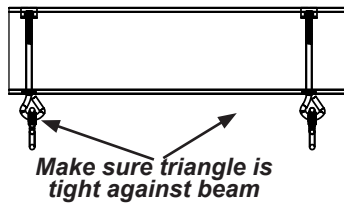
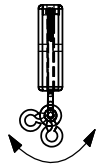
- 5 x Rocks (3 green/2 yellow)





# Step 3: Swing Beam Assembly

Fig. 3.4



**Warning:** For your child's safety, orientate the swing hangers as shown to ensure your swing will have proper swing motion when installed. Failure to do so could result in premature failure of the swing hanger or swing chain.

**A:** In the middle holes of (1825) Back Beam install 2 Bolt-Thru Swing Hangers (fig. 3.1) making sure the swing hangers are oriented in the direction shown in fig. 3.4 to maintain proper swing motion.

**B:** In the end holes of (1826) Front Beam install 2 Bolt-Thru Swing Hangers (fig. 3.1) making sure the swing hangers are oriented in the direction shown in fig. 3.4 to maintain proper swing motion.

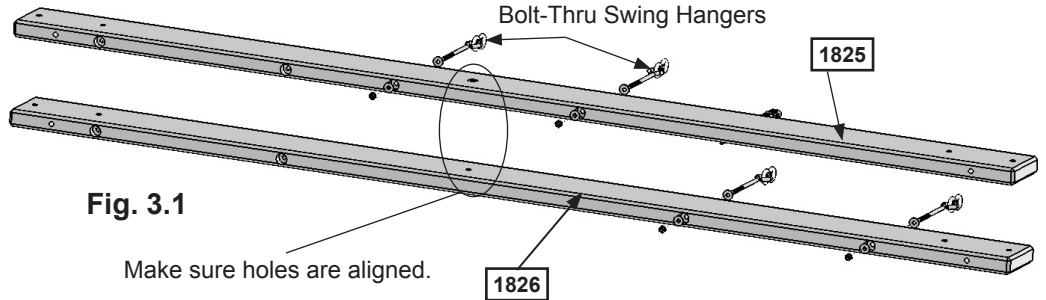
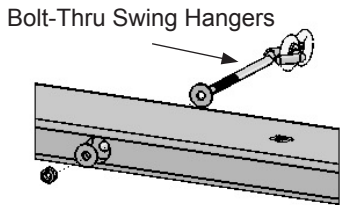


Fig. 3.1

**C:** Attach 1 Triangle Plate to the ends of each (1826) Front Beam and (1825) Back Beam using 1 (G1) 5/16 x 1-1/2" Hex Bolt (with lock washer, flat washer and t-nut) per triangle plate in the hole indicated in fig. 3.2 & 3.3. **Correct hole usage is very important.**

Fig. 3.2

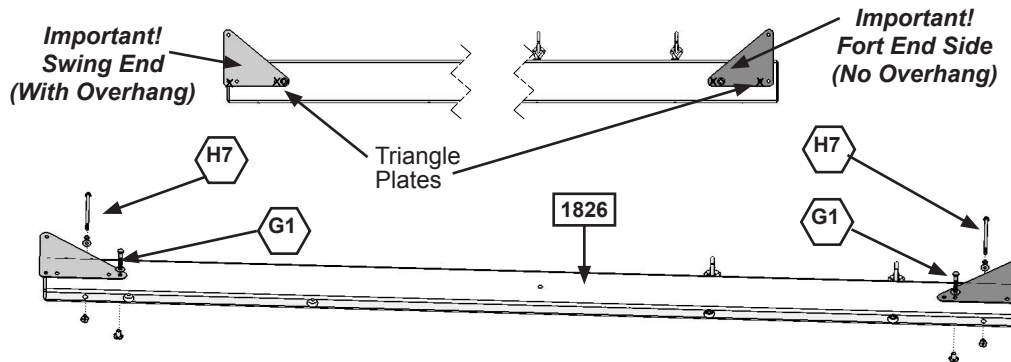
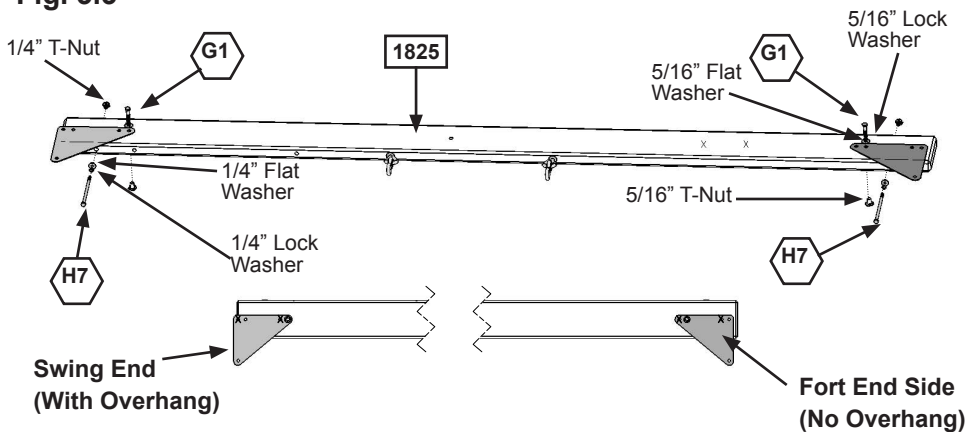


Fig. 3.3



**D:** Attach 1 (H7) 1/4 x 5-1/2" Hex Bolt (with lock washer, flat washer and t-nut) to the ends of each (1826) Front Beam and (1825) Back Beam. The bolts do not attach to anything, but **MUST** be installed to the beams to prevent splitting and checking of wood. (fig. 3.2 & 3.3)

**Wood Parts**

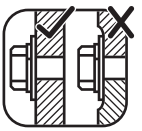
- 1 x 1826 Front Beam 2 x 6 x 83-5/8"
- 1 x 1825 Back Beam 2 x 6 x 83-5/8"

**Hardware**

- 4 x H7 1/4 x 5-1/2" Hex Bolt (1/4" flat washer, 1/4" lock washer, 1/4" t-nut)
- 4 x G1 5/16 x 1-1/2" Hex Bolt (5/16" flat washer, 5/16" lock washer, 5/16" t-nut)

**Other Parts**

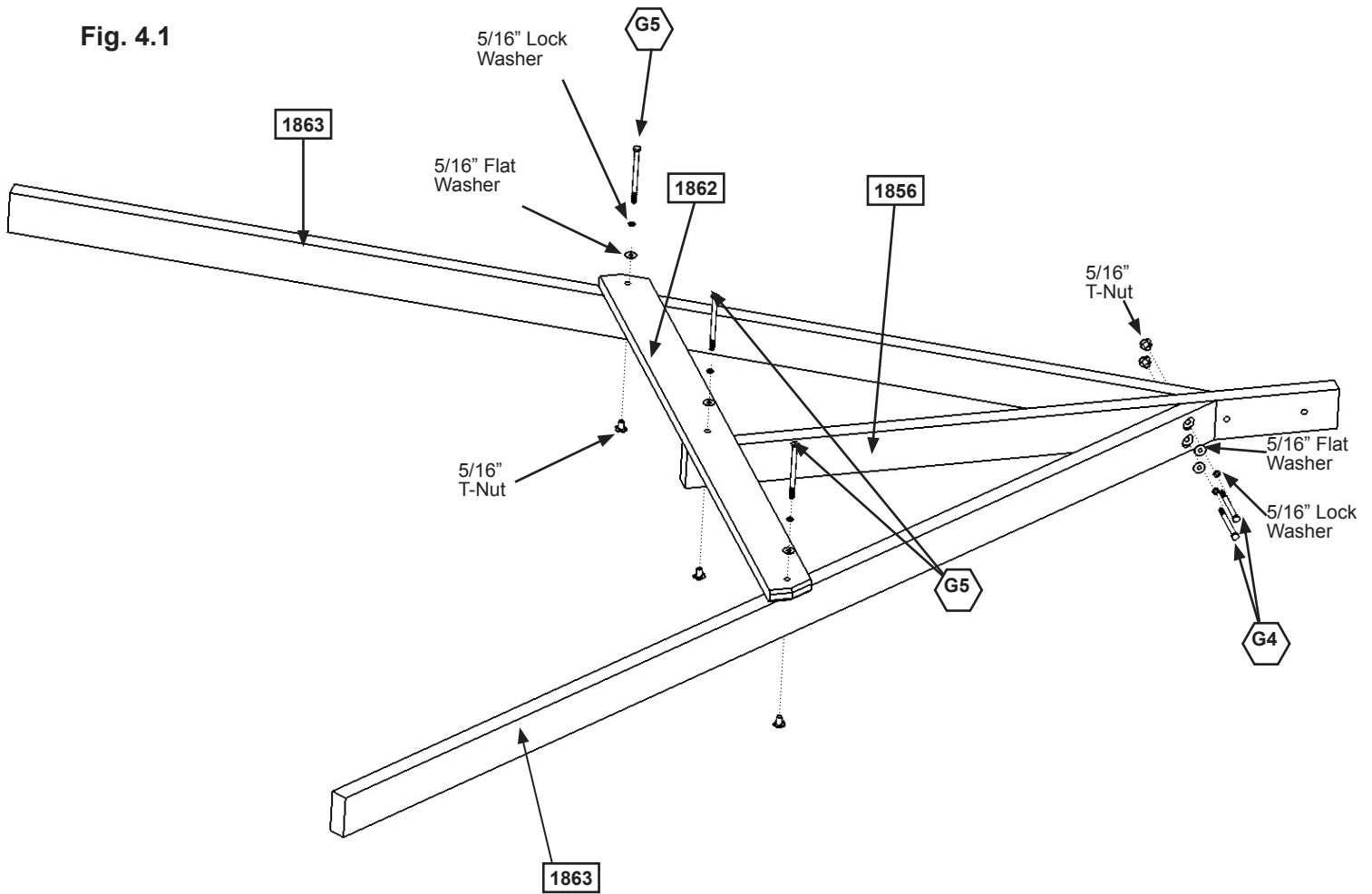
- 1 x Bolt-Thru Swing Hangers (pkg of 4)
- 1 x Triangle Plate (pkg of 4)



# Step 4: Swing End Assembly

**A:** Attach 2 (1863) SW Posts to (1856) SW Upright using 2 (G4) 5/16 x 4" Hex Bolts (with lock washer, flat washer and t-nut). (fig. 4.1)

**Fig. 4.1**



**B:** Attach (1862) SW Support to both (1863) SW Posts and (1856) SW Upright using 3 (G5) 5/16 x 4-1/2" Hex Bolts (with lock washer, flat washer and t-nut). (fig. 4.1)

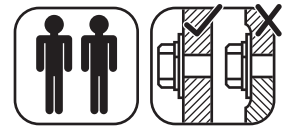
### Wood Parts

- 2 x 1863 SW Post 2 x 4 x 86-11/16"
- 1 x 1862 SW Support 5/4 x 4 x 46-1/2"
- 1 x 1856 SW Upright 2 x 4 x 48-5/16"

### Hardware

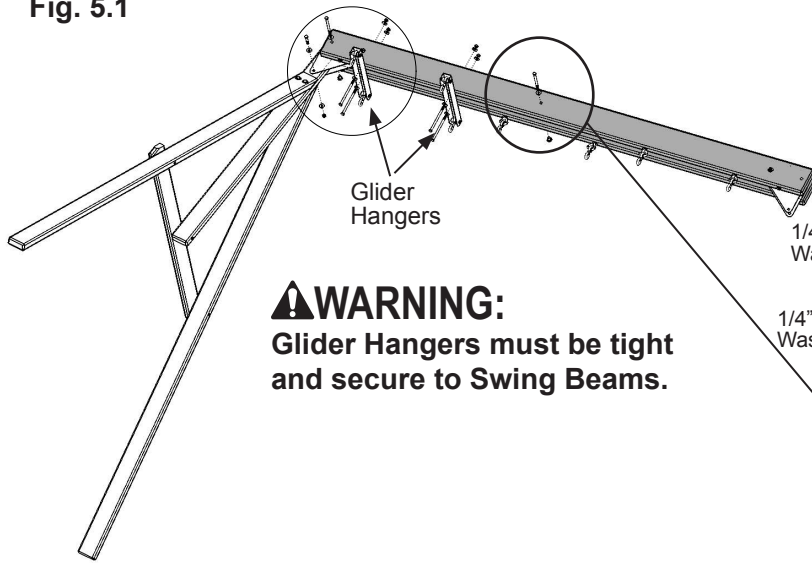
- 2 x G4 5/16 x 4" Hex Bolt  
(5/16" lock washer, 5/16" flat washer, 5/16" t-nut)
- 3 x G5 5/16 x 4-1/2" Hex Bolt  
(5/16" lock washer, 5/16" flat washer, 5/16" t-nut)

# Step 5: Attach Swing End to Swing Beam



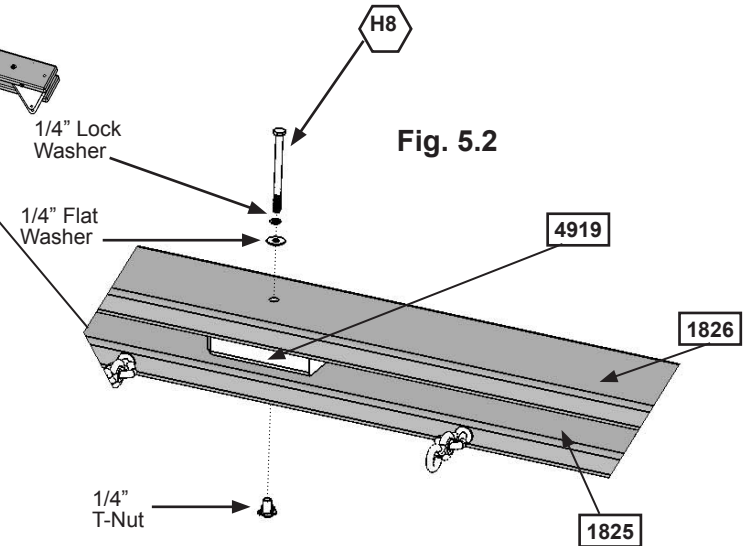
**A:** Place (4919) SW Rail Block in the centre between (1826) Front Beam and (1825) Back Beam and attach with 1 (H8) 1/4 x 4-1/4" Hex Bolt (with lock washer, flat washer and t-nut). (fig. 5.1 & 5.2)

**Fig. 5.1**



**⚠ WARNING:**  
Glider Hangers must be tight and secure to Swing Beams.

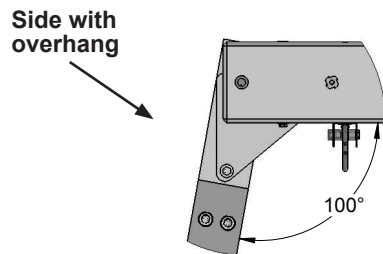
**Fig. 5.2**



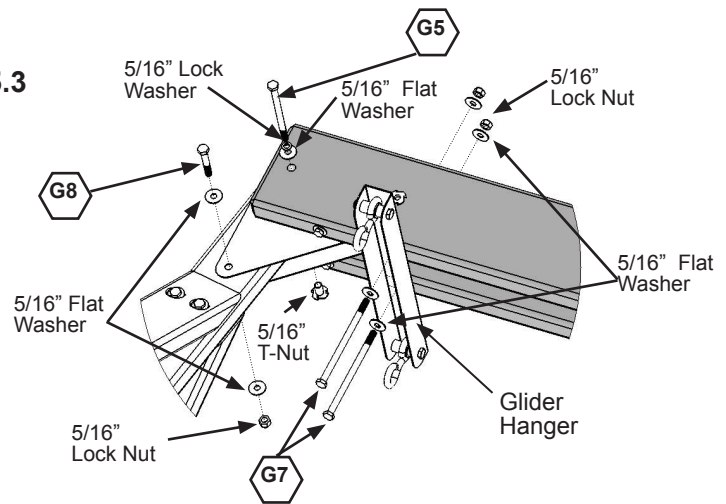
**B:** Attach Swing End Assembly to the side of the Swing Beam Assembly with the overhang (fig. 5.3 & 5.4) using 1 (G5) 5/16 x 4-1/2" Hex Bolt (with lock washer, flat washer and t-nut) in the top hole of Triangle Plate and 1 (G8) 5/16 x 2" Hex Bolt (with 2 flat washers and lock nut) in the bottom hole of Triangle Plate. (fig. 5.3) Make sure Swing End Assembly flares out at an angle. (fig. 5.4)

**C:** Attach 2 Glider Hangers to the Swing Beam Assembly using 2 (G7) 5/16 x 5-1/2" Hex Bolt (with 2 flat washers & lock nut) per Glider Hanger. (fig. 5.1 & 5.3)

**Fig. 5.4**



**Fig. 5.3**



## Wood Parts

1 x 4919 SW Rail Block 2 x 4 x 5-3/8"

## Hardware

- 1 x H8 1/4 x 4-1/4" Hex Bolt (1/4" lock washer, 1/4" flat washer, 1/4" t-nut)
- 1 x G5 5/16 x 4-1/2" Hex Bolt (5/16" lock washer, 5/16" flat washer, 5/16" t-nut)
- 4 x G7 5/16 x 5-1/2" Hex Bolt (5/16" flat washer x2, 5/16" lock nut)
- 1 x G8 5/16 x 2" Hex Bolt (5/16" flat washer x2, 5/16" lock nut)

## Other Parts

2 x Glider Hangers

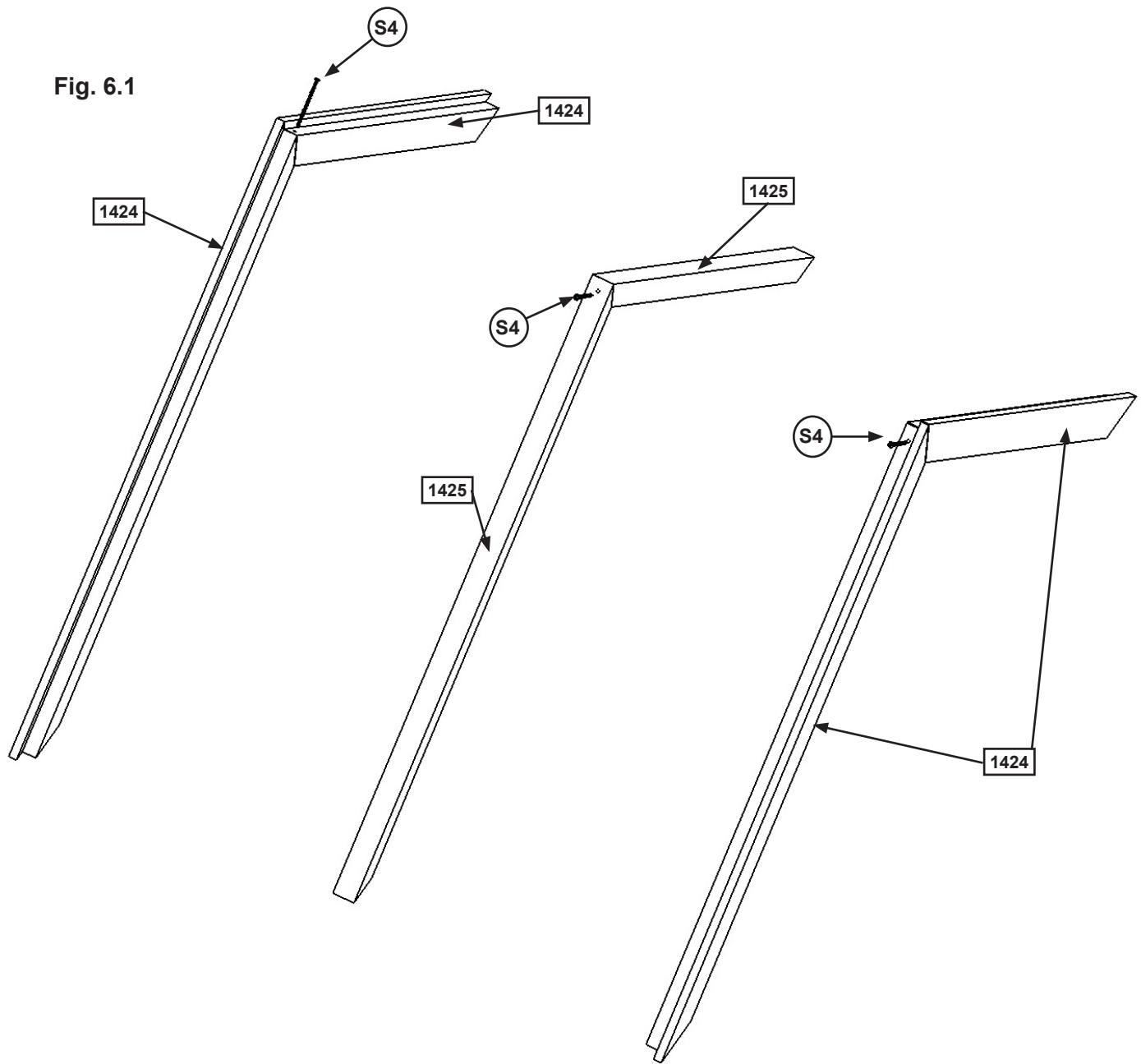
# Step 6: Roof Assembly

## Part 1

**A:** Attach 1 (1424) Roof Support to another at the peak using 1 (S4) #8 x 3" Wood Screw. Do this twice so you have 2 Roof Support Assemblies. (fig. 6.1)

**B:** Attach 1 (1425) Roof Joist to another at the peak using 1 (S4) #8 x 3" Wood Screw. (fig. 6.1)

**C:** Place the Roof Supports and Joist Assemblies in the pattern shown in fig. 6.1. Once in the pattern check that the assemblies have the same angles.



### Wood Parts

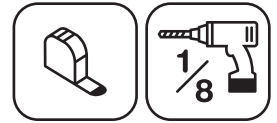
- 2 x 1425 Roof Joist 2 x 2 x 38-3/4"
- 4 x 1424 Roof Support 2 x 3 x 40"

### Hardware

- 3 x S4 #8 x 3" Wood Screw

# Step 6: Roof Assembly

## Part 2

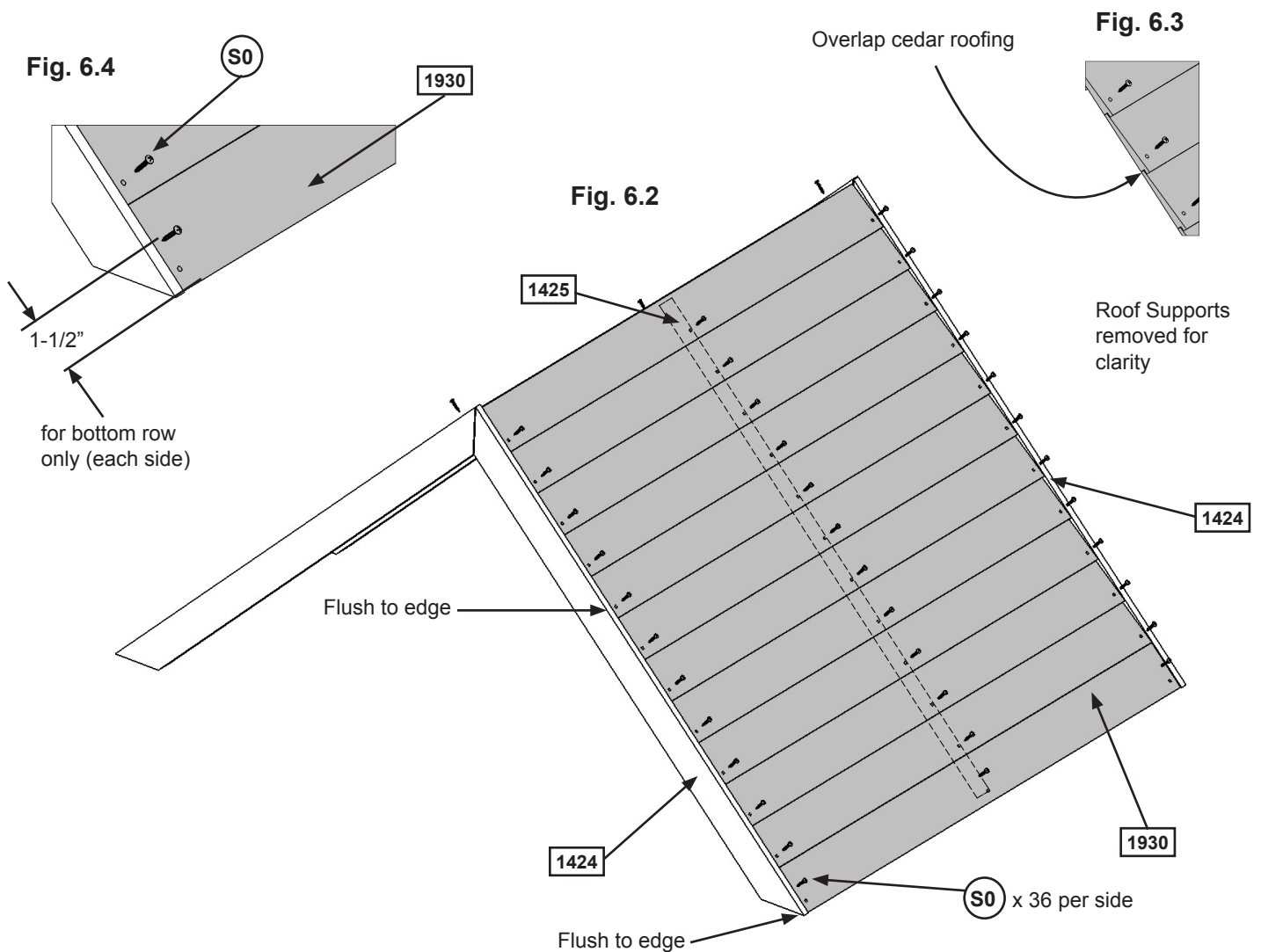


**D:** Starting at the top of the Roof Support Assembly attach 1 (1930) Siding on each side of the (1424) Roof Supports and (1425) Roof Joists with 3 (S0) #8 x 7/8" Truss Screws per board. (fig. 6.2) Be sure to overlap the top of the boards so there are no gaps. (fig. 6.3)

**E:** Drill a hole 1-1/2" up from the bottom of the 2 bottom (1930) Siding (for bottom row only). Attach 1 (1930) Siding at the bottom of the Roof Support Assembly on each side, making sure they are flush to each (1424) Roof Support with 3 (S0) #8 x 7/8" Truss Screws. (fig. 6.2 and 6.4)

**F:** On one side of the assembly evenly space and attach 10 (1930) Siding, leaving no gaps, with 3 (S0) #8 x 7/8" Truss Screws per board. There should be 12 (1930) Siding on this side. (fig. 6.2)

**G:** On the other side of the assembly evenly space and attach 10 (1930) Siding, leaving no gaps, with 3 (S0) #8 x 7/8" Truss Screws per board. (fig. 6.2)



### Wood Parts

24 x 1930 Siding 3/8 x 3-1/2 x 41-1/2"

### Hardware

72 x S0 #8 x 7/8" Truss Screw



# Step 7: Cafe Wall Assembly

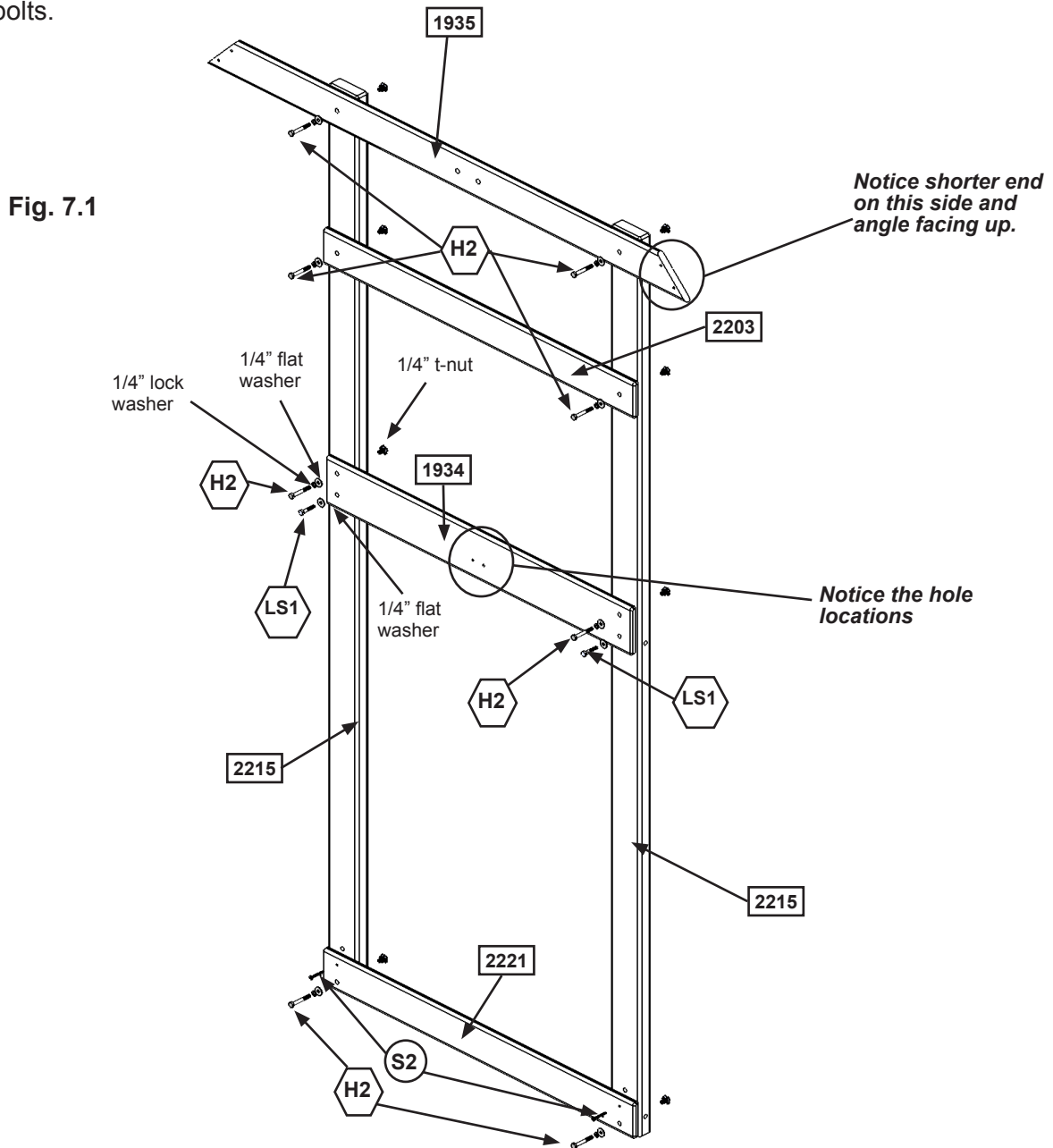


**Note: Pre-drill all holes using a 1/8" drill bit before installing the lag screws.**

**A:** On the ground lay flat 2 (2215) Posts then loosely attach (2221) Side Ground (in the bottom holes), (1934) End Floor (in the top holes), (2203) Cafe Side Top and (1935) Side Roof using 2 (H2) 1/4 x 2" Hex Bolts (with lock washer, flat washer and t-nut) per board as shown in fig. 7.1. **Keep bolts loose.**

**B:** Make sure assembly is square and then fasten (2221) Side Ground to (2215) Posts with 2 (S2) #8 x 1-1/2" Wood Screws and (1934) End Floor to posts with 2 (LS1) 1/4 x 1-1/2" Lag Screws (with flat washer). (fig. 7.1)

**C:** Tighten all bolts.



## Wood Parts

1 x	1934	End Floor 1 x 5 x 35-1/4"
1 x	2221	Side Ground 1 x 4 x 35-7/8"
2 x	2215	Post 2 x 4 x 84-3/8"
1 x	1935	Side Roof 1 x 4 x 55-1/8"
1 x	2203	Cafe Side Top 1 x 4 x 35-7/8"

## Hardware

8 x	H2	1/4 x 2" Hex Bolt (1/4" lock washer, 1/4" flat washer, 1/4" t-nut)
2 x	LS1	1/4 x 1-1/2" Lag Screw (1/4" flat washer)
2 x	S2	#8 x 1-1/2" Wood Screw

# Step 8: Swing Wall Assembly



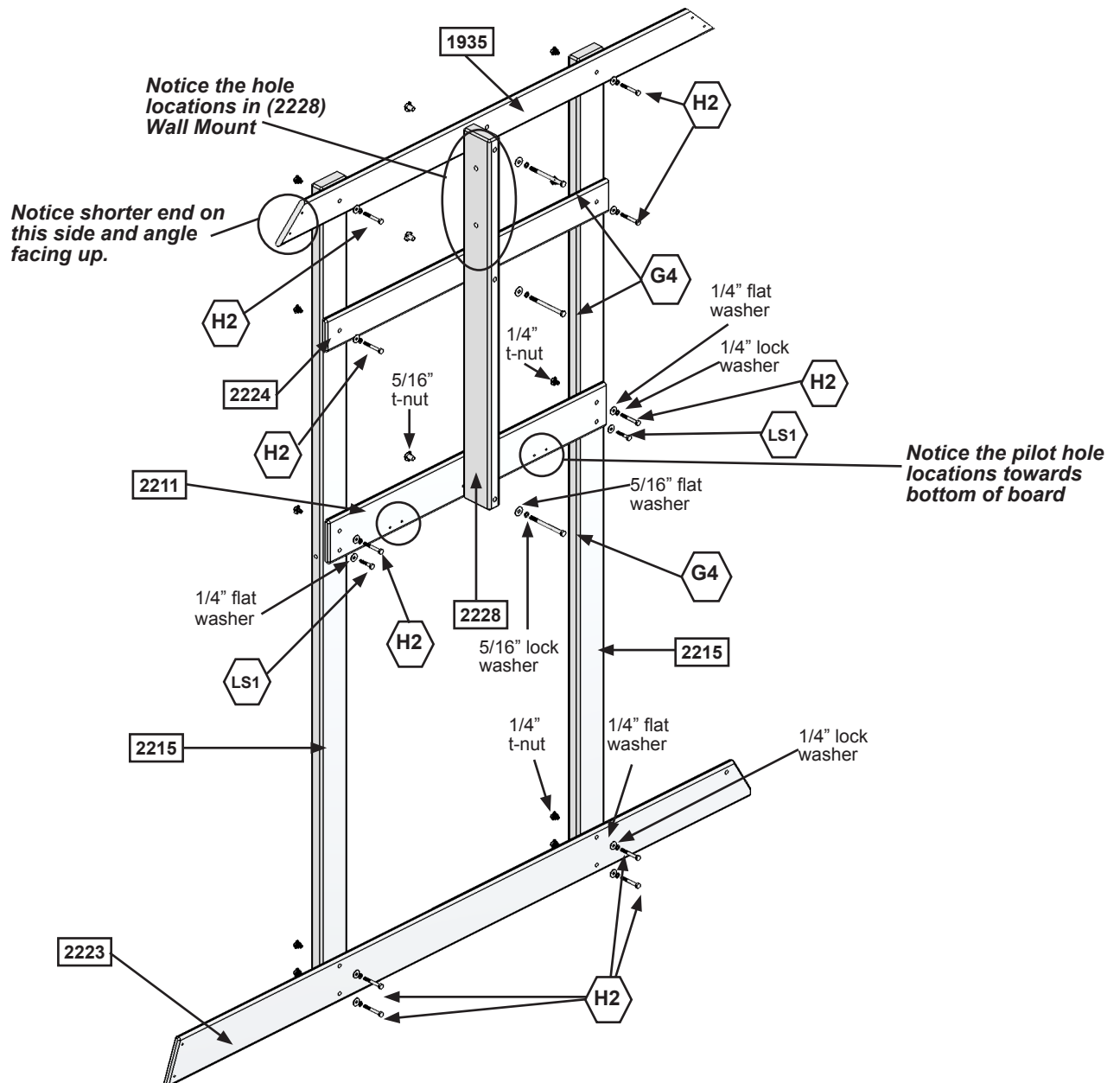
**A:** Loosely attach (2223) SW Ground using 4 (H2) 1/4 x 2" Hex Bolts (with lock washer, flat washer and t-nut); (2211) Floor End (in the top holes); (2224) SW Side and (1935) Side Roof using 2 (H2) 1/4 x 2" Hex Bolts (with lock washer, flat washer and t-nut) for each board to 2 (2215) Posts. (fig. 8.1) **Note: Keep all bolts loose.**

**B:** Place (2228) Wall Mount across (2211) Floor End, (2224) SW Side and (1935) Side Roof then attach using 3 (G4) 5/16 x 4" Hex Bolts (with lock washer, flat washer and t-nut) as shown in fig. 8.1. Notice the side holes are towards the top of the board.

**Note: Pre-drill all holes using a 1/8" drill bit before installing the lag screws.**

**C:** Make sure assembly is square and then fasten (2211) Floor End to (2215) Posts using 2 (LS1) 1/4 x 1-1/2" Lag Screws (with flat washer). (fig. 8.1) **Tighten all (H2) 1/4 x 2" Hex Bolts.**

Fig. 8.1



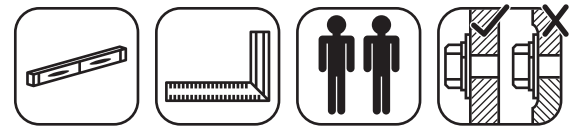
**Wood Parts**

- 1 x 2211 Floor End 1 x 5 x 35-1/4"
- 1 x 1935 Side Roof 1 x 4 x 55-1/8"
- 2 x 2215 Post 2 x 4 x 84-3/8"
- 1 x 2228 Wall Mount 2 x 4 x 38-1/4"
- 1 x 2223 SW Ground 1 x 5 x 74"
- 1 x 2224 SW Side 1 x 4 x 35-7/8"

**Hardware**

- 10 x H2 1/4 x 2" Hex Bolt (1/4" lock washer, 1/4" flat washer, 1/4" t-nut)
- 3 x G4 5/16 x 4" Hex Bolt (5/16" lock washer, 5/16" flat washer, 5/16" t-nut)
- 2 x LS1 1/4 x 1-1/2" Lag Screw (1/4" flat washer)

# Step 9: Front Wall Assembly



**A:** With both the Front and Back Walls facing each other, on the side with longer extension of (1935) Side Roof, loosely attach (2210) Front Back Ground to the (2215) Posts with 2 (H4) 1/4 x 4" Hex Bolts (with lock washer, flat washer and t-nut). (fig. 9.1)

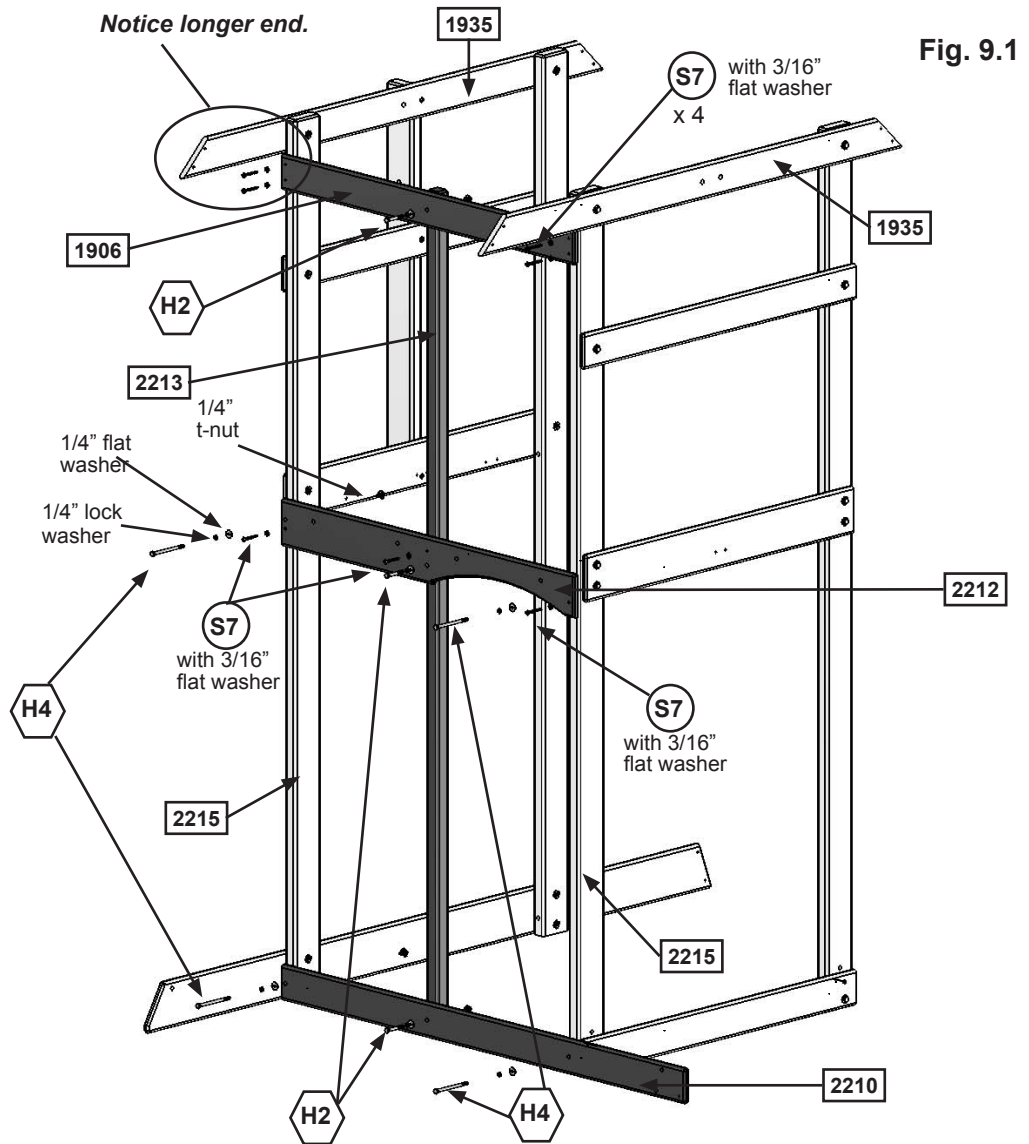
**B:** Approximately half way up the wall loosely attach (2212) Floor Front to both (2215) Posts with 2 (H4) 1/4 x 4" Hex Bolts (with lock washer, flat washer and t-nut). The arch should be on the right side of the wall. (fig. 9.1)

**C:** Loosely attach (2213) Front Divider to (2210) Front Back Ground, (2212) Floor Front and (1906) Top Front Back with 1 (H2) 1/4 x 2" Hex Bolt (with lock washer, flat washer and t-nut) per board. (fig. 9.1)

**D:** Make sure (1906) Top Front Back is level then attach to both (2215) Posts using 4 (S7) #12 x 2" Pan Screws (with 3/16" flat washers). (fig. 9.1)

**E:** Make sure the assembly is square, then attach (2212) Floor Front to the posts and (2213) Front Divider with 3 (S7) #12 x 2" Pan Screws (with 3/16" flat washers), as shown in fig. 9.1.

**F:** Tighten all bolts.



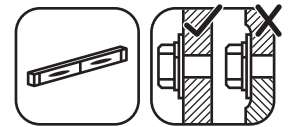
### Wood Parts

- 1 x 2210 Front Back Ground 1 x 4 x 53"
- 1 x 2212 Floor Front 1 x 5 x 38-1/2"
- 1 x 2213 Front Divider 2 x 2 x 81"
- 1 x 1906 Top Front Back 1 x 4 x 38-1/2"

### Hardware

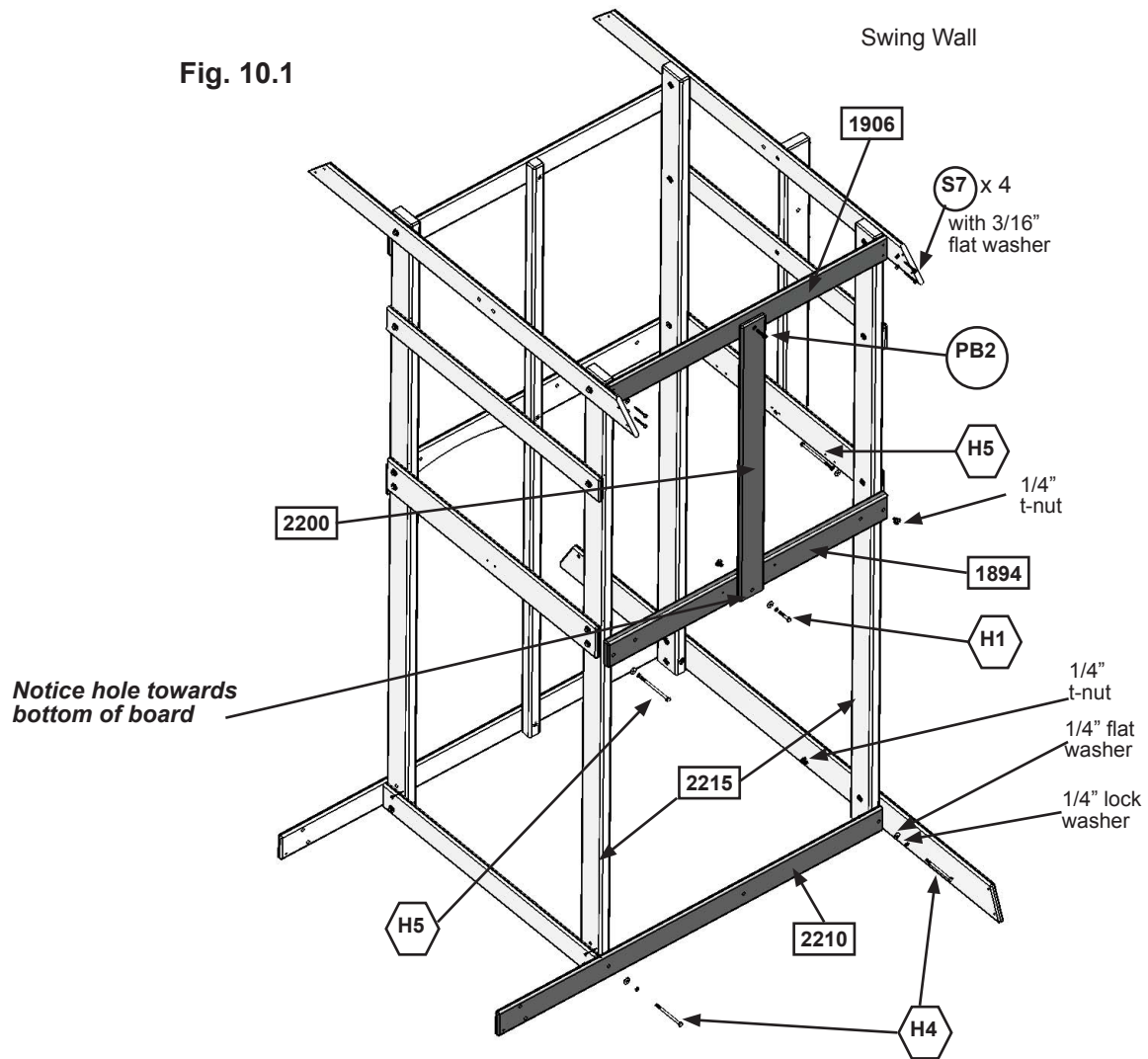
- 4 x H4 1/4 x 4" Hex Bolt (1/4" lock washer, 1/4" flat washer, 1/4" t-nut)
- 7 x S7 #12 x 2" Pan Screw (3/16" flat washer)
- 3 x H2 1/4 x 2" Hex Bolt (1/4" lock washer, 1/4" flat washer, 1/4" t-nut)

# Step 10: Back Frame Assembly



- A:** On the opposite side of the assembly loosely attach (2210) Front Back Ground to the (2215) Posts with 2 (H4) 1/4 x 4" Hex Bolts (with lock washer, flat washer and t-nut). (fig. 10.1)
- B:** Loosely attach (1894) Back Floor to both (2215) Posts using 2 (H5) 1/4 x 4-1/2" Hex Bolts (with lock washer, flat washer and t-nut). The bolt on the Swing Wall side must be installed from inside the fort. Notice the middle bolt hole is towards the bottom of the board. (fig. 10.1)
- C:** Attach (2200) Back Divider to (1894) Back Floor with 1 (H1) 1/4 x 1-1/2" Hex Bolt (with lock washer, flat washer and t-nut) and to (1906) Top Front Back with 1 (PB2) 1/4 x 1-1/4" Pan Bolt (with lock washer, flat washer and t-nut). (fig. 10.1)
- D:** Make sure (1906) Top Front Back is level then attach to both (2215) Posts using 4 (S7) #12 x 2" Pan Screws (with 3/16" flat washers). (fig. 10.1)
- E:** Tighten all bolts.

Fig. 10.1



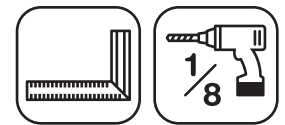
### Wood Parts

- 1 x 2210 Front Back Ground 1 x 4 x 53"
- 1 x 1894 Back Floor 5/4 x 4 x 38-1/2"
- 1 x 2200 Back Divider 1 x 4 x 39-3/16"
- 1 x 1906 Top Front Back 1 x 4 x 38-1/2"

### Hardware

- 4 x S7 #12 x 2" Pan Screw (3/16" flat washer)
- 1 x PB2 1/4 x 1-1/4" Pan Bolt (1/4" lock washer, 1/4" flat washer, 1/4" t-nut)
- 1 x H1 1/4 x 1-1/2" Hex Bolt (1/4" lock washer, 1/4" flat washer, 1/4" t-nut)
- 2 x H4 1/4 x 4" Hex Bolt (1/4" lock washer, 1/4" flat washer, 1/4" t-nut)
- 2 x H5 1/4 x 4-1/2" Hex Bolt (1/4" lock washer, 1/4" flat washer, 1/4" t-nut)

# Step 11: Attach Floor Gussets



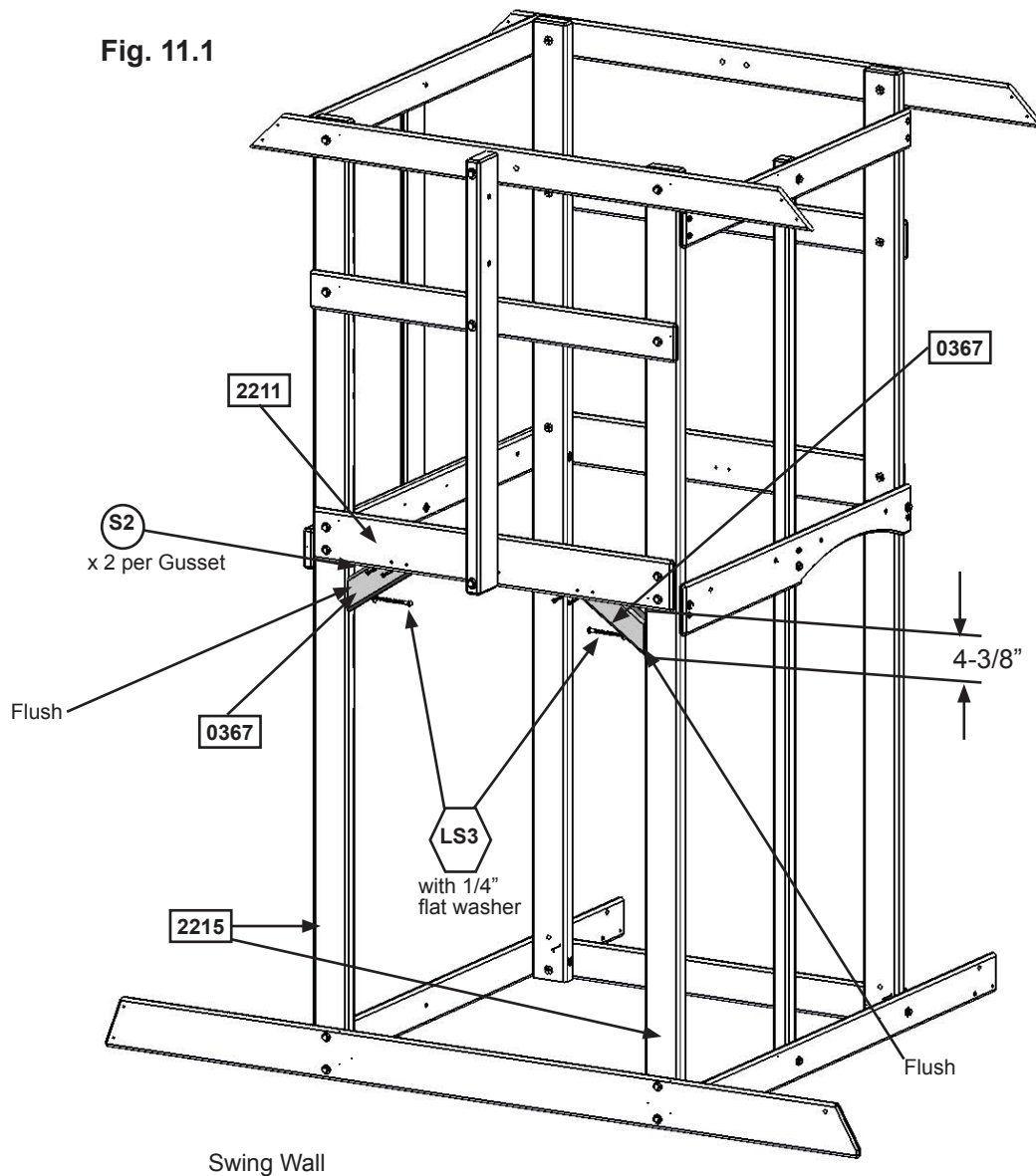
**Note:** Pre-drill all holes using a 1/8" drill bit before installing the lag screws.

**A:** Make sure the assembly is square before proceeding.

**B:** Measure 4-3/8" down from the bottom of (2211) Floor End, place 1 (0367) Floor Gusset against each (2215) Post on the Swing Wall at measured location and tight against (2211) Floor End. Attach flush to outside edge of posts using 1 (LS3) 1/4 x 3" Lag Screw (with flat washer) per post. (fig. 11.1)

**C:** Attach the other end of each (0367) Floor Gusset to (2211) Floor End with 2 (S2) #8 x 1-1/2" Wood Screws as shown in fig. 11.1.

Fig. 11.1



## Wood Parts

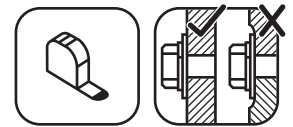
2 x 0367 Floor Gusset 2 x 3 x 11"

## Hardware

2 x LS3 1/4 x 3" Lag Screw (1/4" flat washer)

4 x S2 #8 x 1-1/2" Wood Screw

# Step 12: Attach Joists



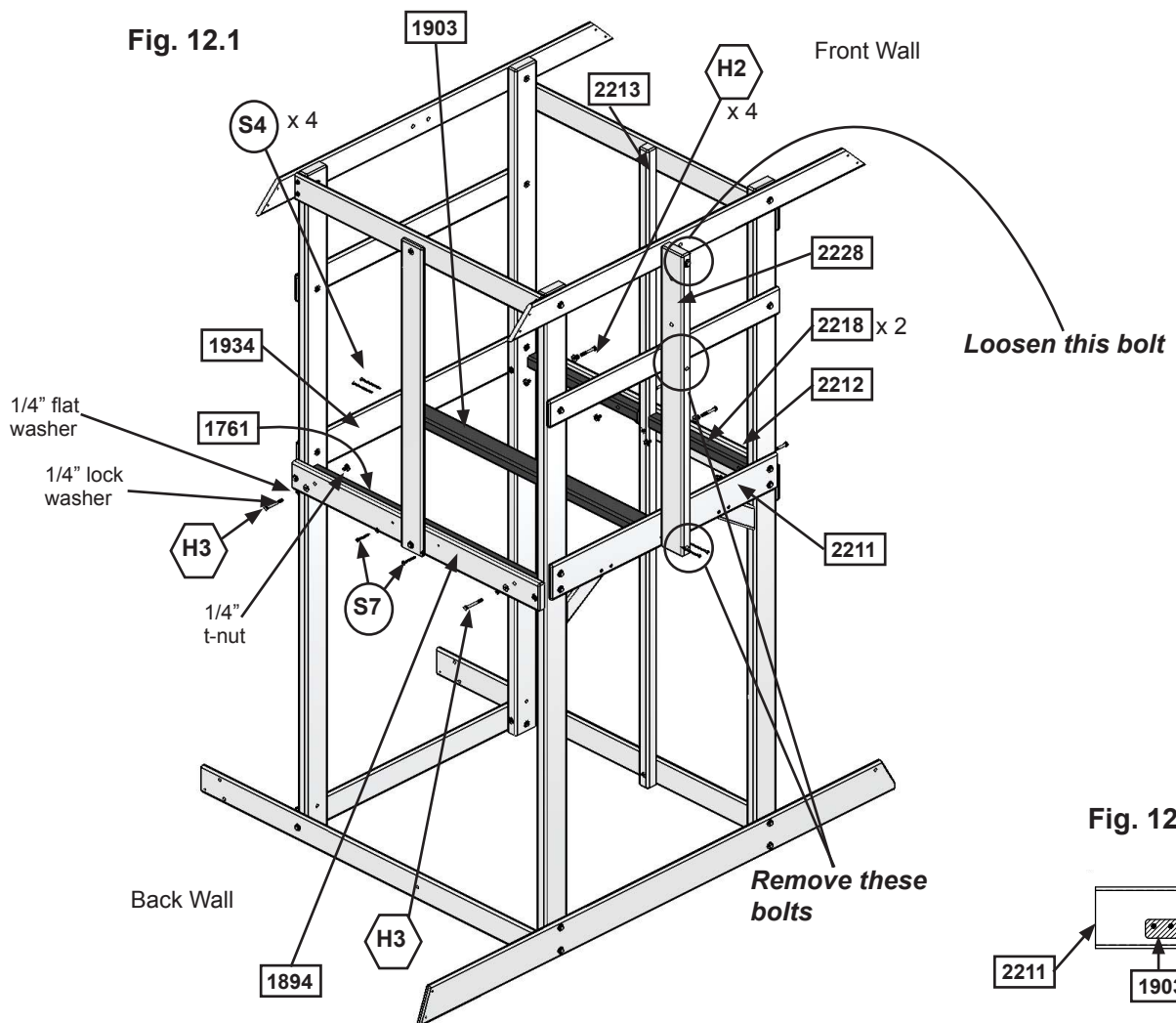
**A:** Loosen the top bolt and remove the middle and bottom bolts in (2228) Wall Mount. Do not discard these bolts, you will re-install them after the (1903) Floor Joist is attached. (fig. 12.1)

**B:** From inside of the assembly, measure 3/4" up from the bottom of (2211) Floor End and (1934) End Floor (fig. 12.2) and then attach (1903) Floor Joist to each board using the pilot holes with 2 (S4) #8 x 3" Wood Screws per end. (fig.12.1)

**C:** Re-install the bolts in (2228) Wall Mount and tighten all three bolts. (fig. 12.1)

**D:** On the Front Wall, on both sides of (2213) Front Divider, attach 2 (2218) Short Joists to (2212) Floor Front with 2 (H2) 1/4 x 2" Hex Bolts (with lock washer, flat washer and t-nut) per board. (fig. 12.1)

**E:** On the Back Wall attach (1761) Side Joist to the inside of (1894) Back Floor with 2 (H3) 1/4 x 2-1/2" Hex Bolts (with lock washer, flat washer and t-nut) in the outside holes and 2 (S7) #12 x 2" Pan Screws in the inside holes as shown in fig. 12.1.



- Wood Parts**
- 1 x 1903 Floor Joist 5/4 x 3 x 38-1/2"
  - 1 x 1761 Side Joist 2 x 2 x 34-3/4"
  - 2 x 2218 Short Joist 2 x 2 x 17"

- Hardware**
- 4 x H2 1/4 x 2" Hex Bolt (1/4" lock washer, 1/4" flat washer, 1/4" t-nut)
  - 2 x H3 1/4 x 2-1/2" Hex Bolt (1/4" lock washer, 1/4" flat washer, 1/4" t-nut)
  - 4 x S4 #8 x 3" Wood Screw
  - 2 x S7 #12 x 2" Pan Screw

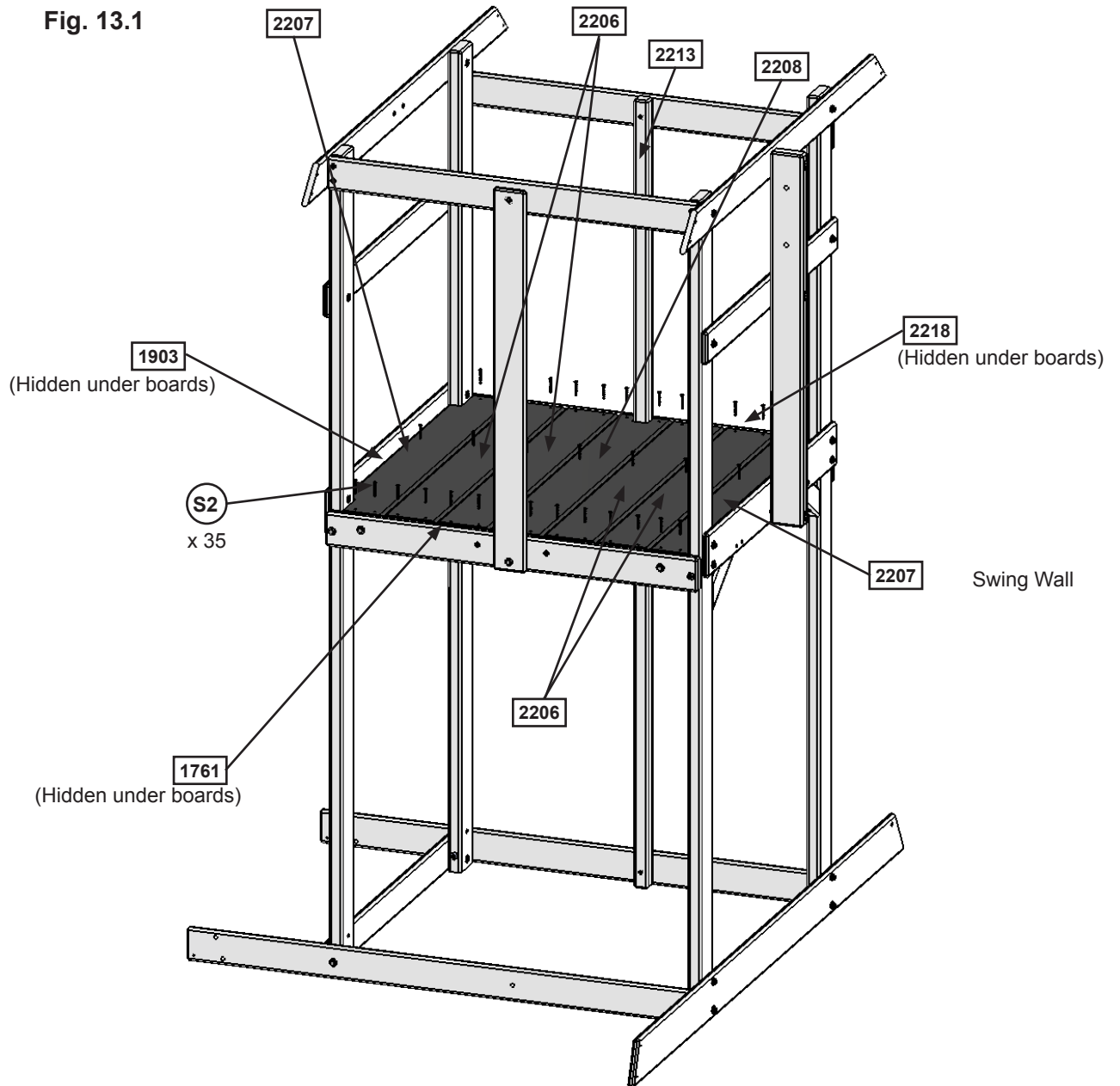


# Step 13: Attach Gap and Floor Boards



**A:** Place 1 (2207) Cedar Gap Board at each end of the assembly. Then starting on the Swing Wall side place 2 (2206) Cedar Floor Boards, 1 (2208) Centre Gap Board so the gap in the board fits around the (2213) Front Divider, and 2 more (2206) Cedar Floor Boards. Make sure all boards are evenly spaced. (fig. 13.1)

**B:** Attach all boards to (1761) Side Joist, (1903) Floor Joist and both (2218) Short Joists with 5 (S2) #8 x 1-1/2" Wood Screws per board. (fig. 13.1)



### Wood Parts

- 2 x 2207 Cedar Gap Board 1 x 6 x 35-3/4"
- 1 x 2208 Centre Gap Board 1 x 6 x 35-3/4"
- 4 x 2206 Cedar Floor Board 1 x 6 x 35-3/4"

### Hardware

- 35 x S2 #8 x 1-1/2" Wood Screw

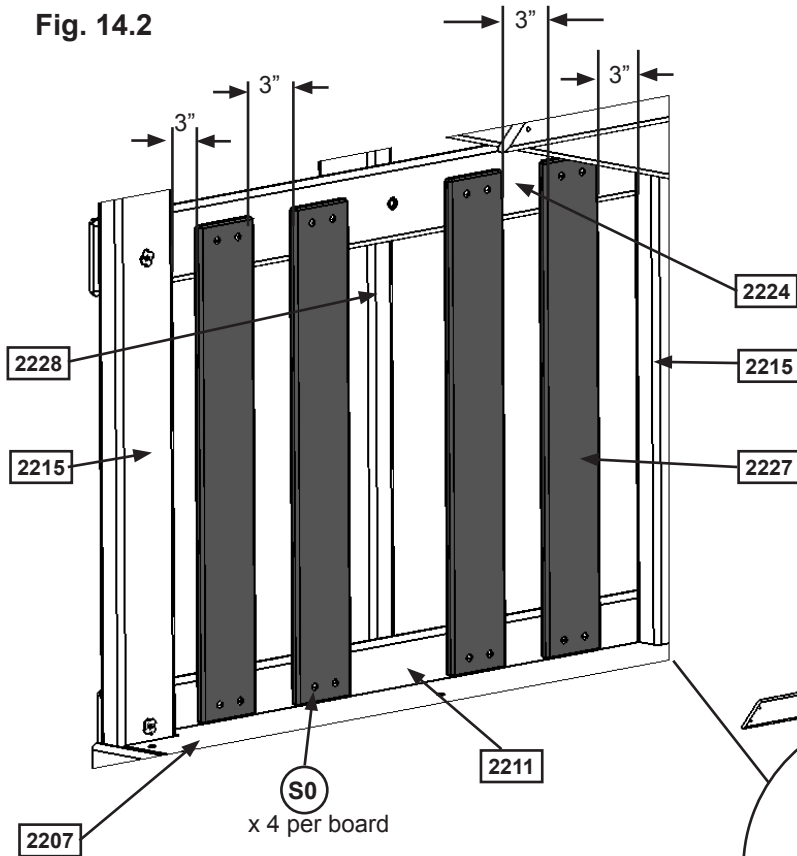


# Step 14: Swing Side Wall Assembly

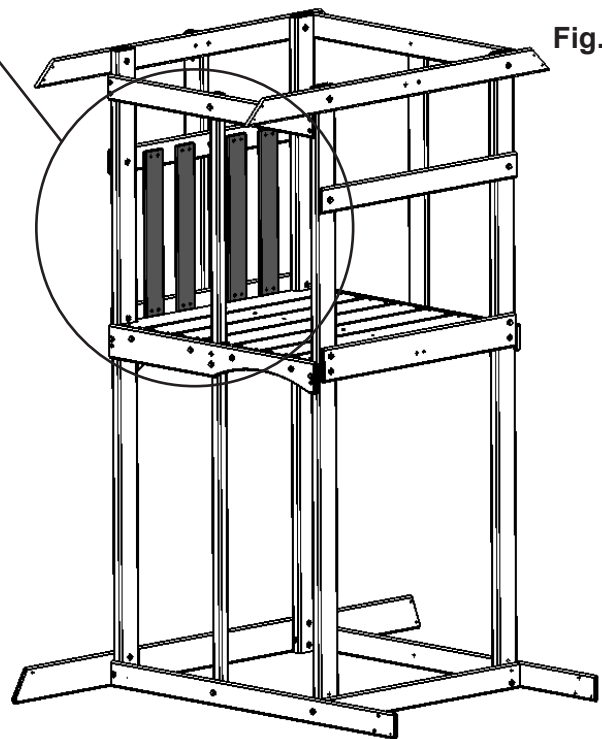


**A:** In between both (2215) Posts on Swing Wall attach 4 (2227) Wall Boards to (2211) Floor End and (2224) SW Side using 4 (S0) #8 x 7/8" Truss Screws per board. Make sure the bottom of the boards are tight against (2207) Cedar Gap Board. The distance between posts and (2227) Wall Boards should be 3" as shown below. (fig. 14.1 and 14.2)

**Fig. 14.2**



**Fig. 14.1**



**Wood Parts**

4 x **2227** Wall Board 1/2 x 4 x 22"

**Hardware**

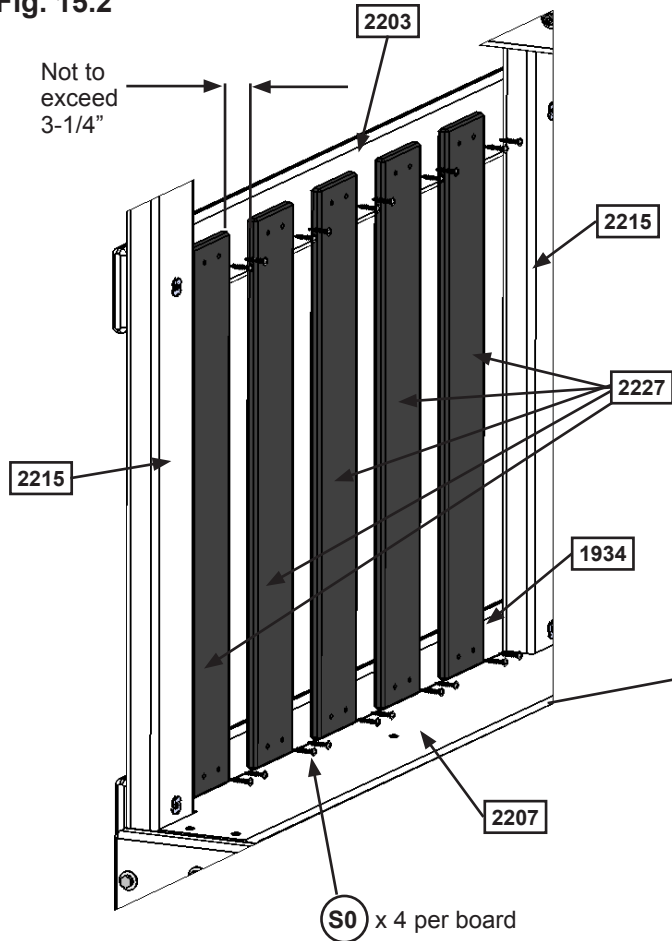
16 x **(S0)** #8 x 7/8" Truss Screw

# Step 15: Cafe Side Wall Assembly

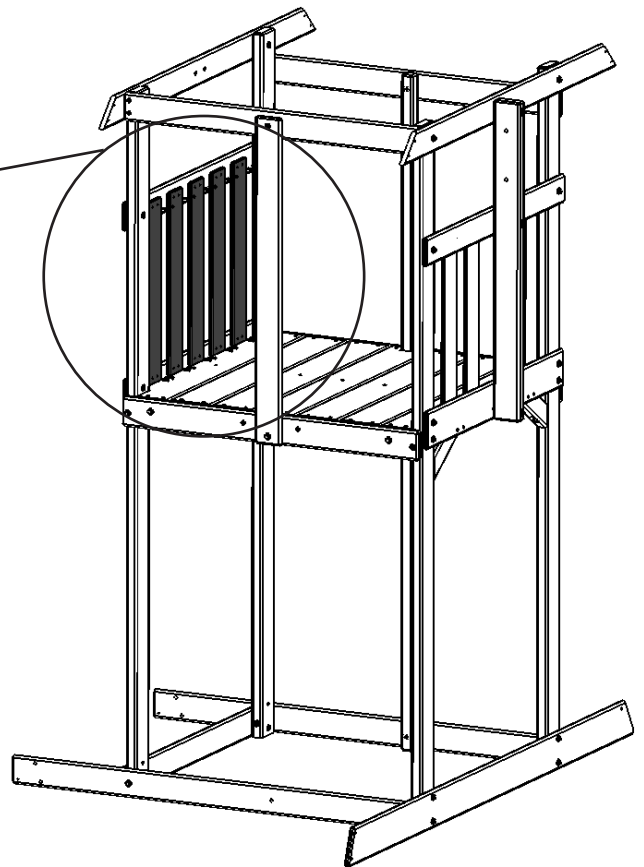


**A:** In between both (2215) Posts on Cafe Wall evenly space and attach 5 (2227) Wall Boards to (1934) End Floor and (2203) Cafe Side Top using 4 (S0) #8 x 7/8" Truss Screws per board. Make sure the bottom of the boards are tight against (2207) Cedar Gap Board. The distance between boards should not exceed 3-1/4" (fig. 15.1 and 15.2)

**Fig. 15.2**



**Fig. 15.1**



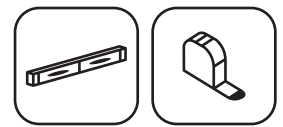
**Wood Parts**

5 x 2227 Wall Board 1/2 x 4 x 22"

**Hardware**

20 x S0 #8 x 7/8" Truss Screw

# Step 16: Back Wall Assembly

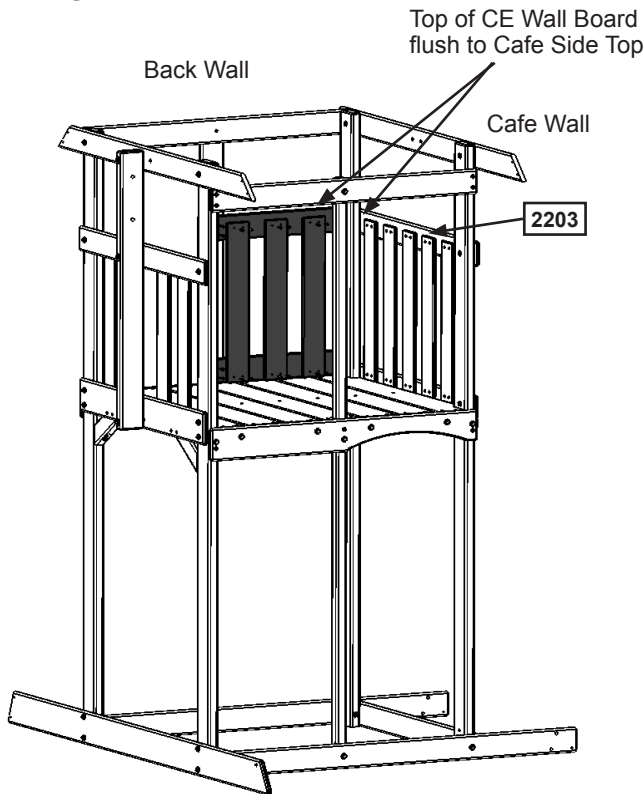


**A:** On the Back Wall, tight to the floor boards, attach 1 (1227) CE Wall Board to the outside of (2215) Post on Cafe Wall side with 2 (S2) #8 x 1-1/2" Wood Screws and to the inside face of (2200) Back Divider with 2 (S1) #8 x 1-1/8" Wood Screws. (fig. 16.1, 16.2 and 16.3)

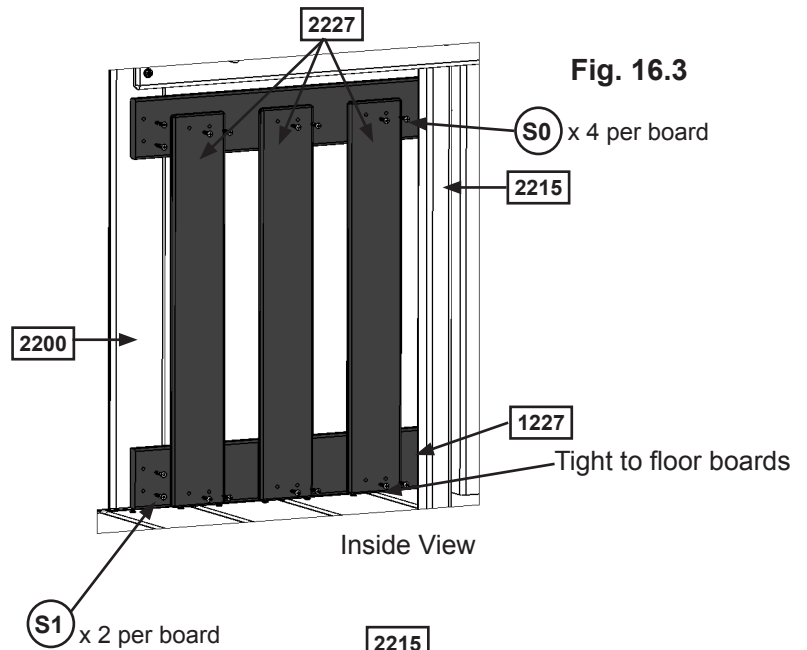
**B:** Flush to the top of (2203) Cafe Side Top, making sure board is level, attach 1 (1227) CE Wall Board to the outside of (2215) Post on Cafe Wall side with 2 (S2) #8 x 1-1/2" Wood Screws and to the inside face of (2200) Back Divider with 2 (S1) #8 x 1-1/8" Wood Screws. (fig. 16.1, 16.2 and 16.3)

**C:** In between (2215) Post and (2200) Back Divider evenly space and attach 3 (2227) Wall Boards to both (1227) CE Wall Boards using 4 (S0) #8 x 7/8" Truss Screws per board. Make sure the bottom of the boards are tight against the floor boards. The distance between boards should not exceed 3-1/4" (fig. 16.1, 16.2 and 16.3)

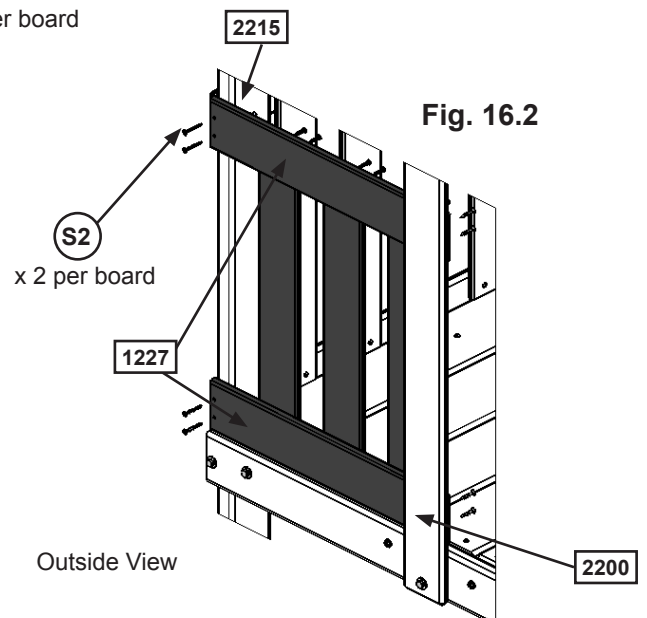
**Fig. 16.1**



**Fig. 16.3**



**Fig. 16.2**



**Wood Parts**

- 3 x 2227 Wall Board 1/2 x 4 x 22"
- 2 x 1227 CE Wall Board 1 x 4 x 20"

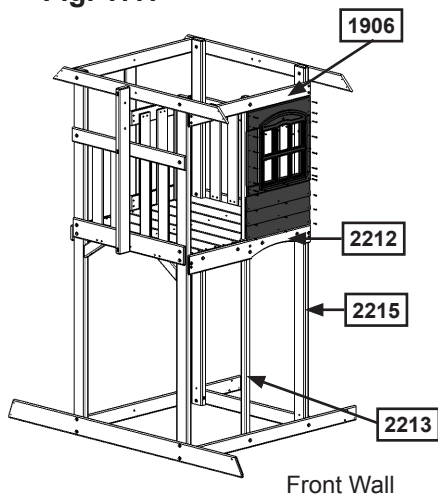
**Hardware**

- 12 x S0 #8 x 7/8" Truss Screw
- 4 x S1 #8 x 1-1/8" Wood Screw
- 4 x S2 #8 x 1-1/2" Wood Screw

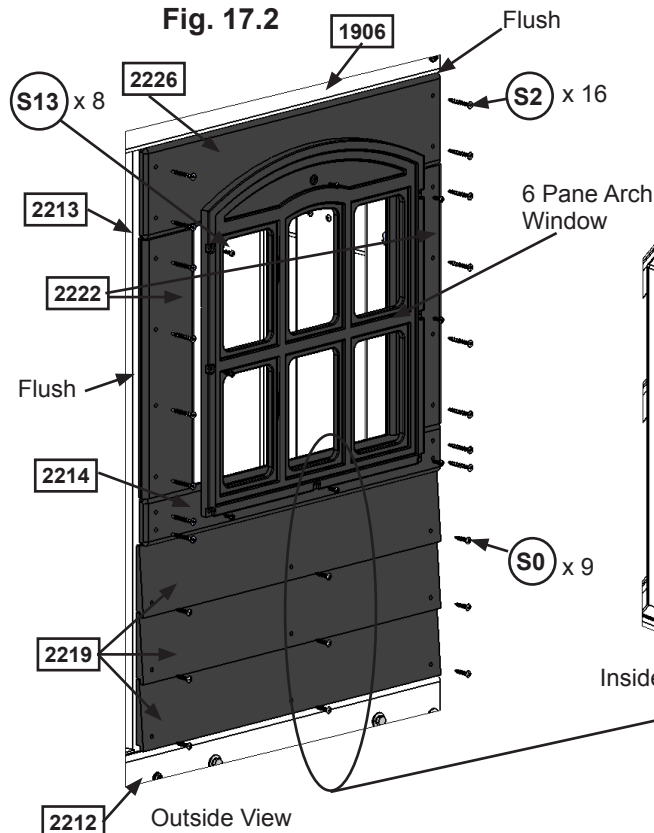
# Step 17: Front Wall Window Assembly

- A:** On the Front Wall, tight to (1906) Top Front Back and flush to the outside of (2215) Post and (2213) Front Divider, attach (2226) Wall Board with 4 (S2) #8 x 1-1/2" Wood Screws (fig. 17.1 and 17.2)
- B:** Tight to the bottom of (2226) Wall Board attach 1 (2222) Side Window flush to the outside of both (2215) Post and (2213) Front Divider with 4 (S2) #8 x 1-1/2" Wood Screws per board. Make sure the pilot holes are closer to the outside of the boards. (fig. 17.2)
- C:** Tight to the bottom of each (2222) Side Window and flush to the outside of both (2215) Post and (2213) Front Divider attach (2214) Lower Window with 4 (S2) #8 x 1-1/2" Wood Screws. (fig. 17.2)
- D:** Evenly space 3 (2219) Siding between (2214) Lower Window and (2212) Floor Front, flush to the outside of both (2215) Post and (2213) Front Divider, making sure there are no gaps between boards. Attach with 2 (S0) #8 x 7/8" Truss Screws per board. (fig. 17.2)
- E:** From inside the assembly place (2229) Window Frame over the centre pilot holes of the (2219) Siding and attach from outside of the assembly with 3 (S0) #8 x 7/8" Truss Screws as shown in fig. 17.2 and 17.3.
- F:** From outside the assembly place 1 6-Pane Arch Window in the window gap and attach with 8 (S13) #6 x 5/8" Pan Screws (fig. 17.2)

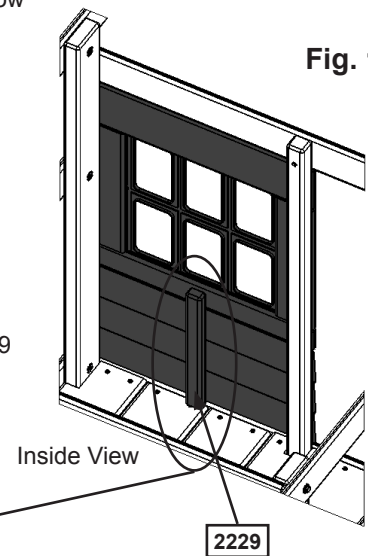
**Fig. 17.1** Cafe Wall



**Fig. 17.2**



**Fig. 17.3**



## Wood Parts

- 1 x 2226 Wall Board 1 x 5 x 20"
- 2 x 2222 Side Window 1 x 4 x 12-3/4"
- 1 x 2214 Lower Window 1 x 3 x 20"
- 3 x 2219 Siding 3/8 x 3-1/2 x 20"
- 1 x 2229 Window Frame 5/4 x 2 x 12"

## Hardware

- 9 x S0 #8 x 7/8" Truss Screw
- 16 x S2 #8 x 1-1/2" Wood Screw
- 8 x S13 #6 x 5/8" Pan Screw

## Other Parts

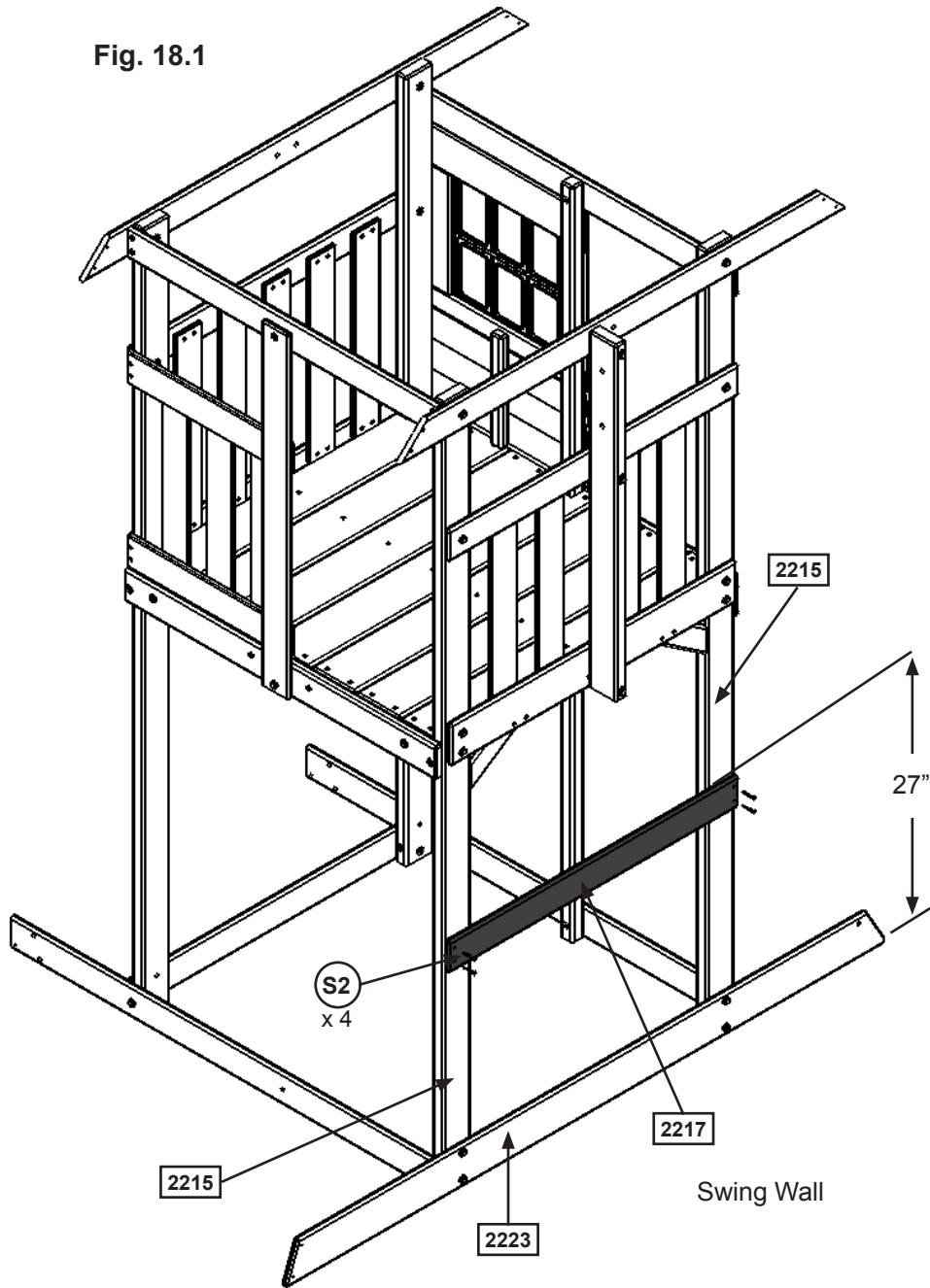
- 1 x 6-Pane Arch Window

# Step 18: Attach Seat Support



**A:** On the Swing Wall measure 27" up from the bottom of (2223) SW Ground on each (2215) Post. Place top of (2217) Seat Support at marked location and attach to both posts with 4 (S2) #8 x 1-1/2" Wood Screws. (fig. 18.1)

Fig. 18.1



### Wood Parts

1 x 2217 Seat Support 1 x 4 x 35-7/8"

### Hardware

4 x S2 #8 x 1-1/2" Wood Screw

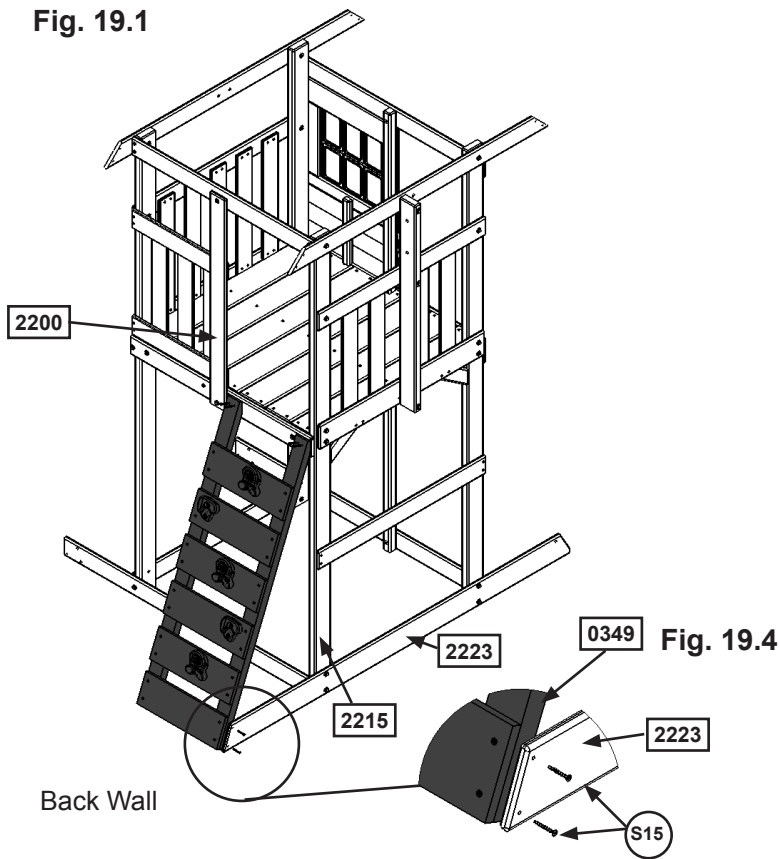
# Step 19: Attach Rock Rail to Fort

**A:** Place Rock Wall Assembly from Step 2 centred between (2215) Post and (2200) Back Divider, flush to top of (1894) Back Floor (fig. 19.1 and 19.2). Attach (0349) Rock Rails to (1894) Back Floor using 4 (S15) #8 x 1-3/4" Wood Screws as shown in fig. 19.3.

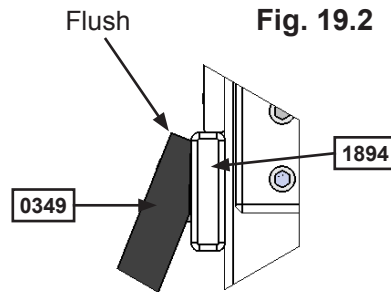
**B:** Attach (2223) SW Ground to bottom of (0349) Rock Rail with 2 (S15) #8 x 1-3/4" Wood Screws. (fig. 19.1 and 19.4)

**C:** Attach (1779) CE Access Board to top of Rock Wall Assembly, flush to top of (0349) Rock Rails using 4 (S2) #8 x 1-1/2" Wood Screws. (fig. 19.5)

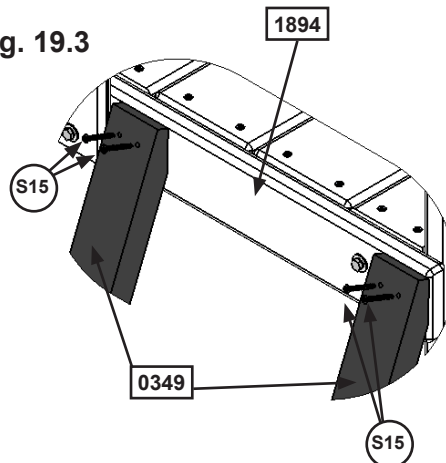
**Fig. 19.1**



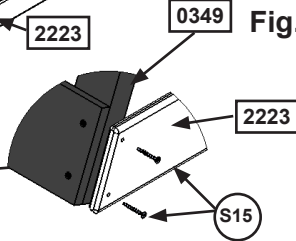
**Fig. 19.2**



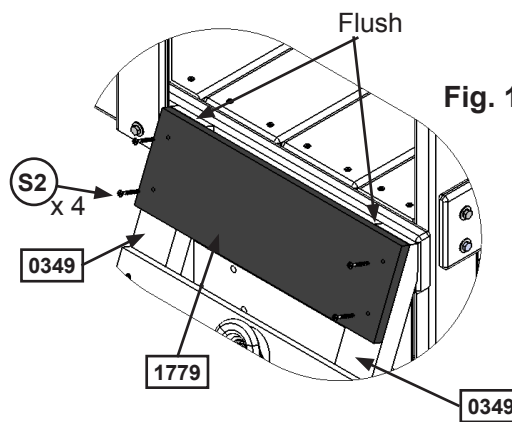
**Fig. 19.3**



**Fig. 19.4**



**Fig. 19.5**



**Wood Parts**

1 x 1779 CE Access Board 1 x 6 x 17"

**Hardware**

6 x S15 #8 x 1-3/4" Wood Screw

4 x S2 #8 x 1-1/2" Wood Screw

# Step 20: Lower Cafe Wall Assembly



**A:** Place 1 (1808) Short Trim tight to the top of (2221) Side Ground and flush to the outside edge of (2215) Post on the Front Wall side of the assembly. Attach to (2215) Post with 3 (S2) #8 x 1-1/2" Wood Screws. (fig. 20.1 and 20.2)

**B:** Tight to top of (2221) Side Ground and tight to (1808) Short Trim attach (2220) Siding to both (2215) Posts with 2 (S0) #8 x 7/8" Truss Screws as shown in fig. 20.2.

**C:** Tight to (2220) Siding and top of (2221) Side Ground attach a second (1808) Short Trim to (2215) Post with 3 (S2) #8 x 1-1/2" Wood Screws. (fig 20.2)

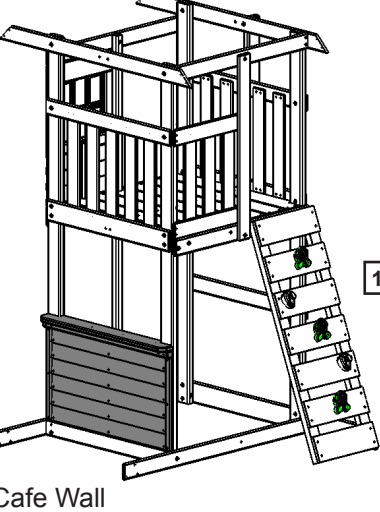
**D:** Install 5 more (2220) Siding directly above the first, attaching to both (2215) Posts with 2 (S0) #8 x 7/8" Truss Screws per board. (fig. 20.2)

**E:** From inside the assembly place (2205) Cafe Upright over the centre pilot holes of the (2220) Siding and attach from outside of the assembly with 1 (S0) #8 x 7/8" Truss Screw per board. (fig. 20.2 and 20.3)

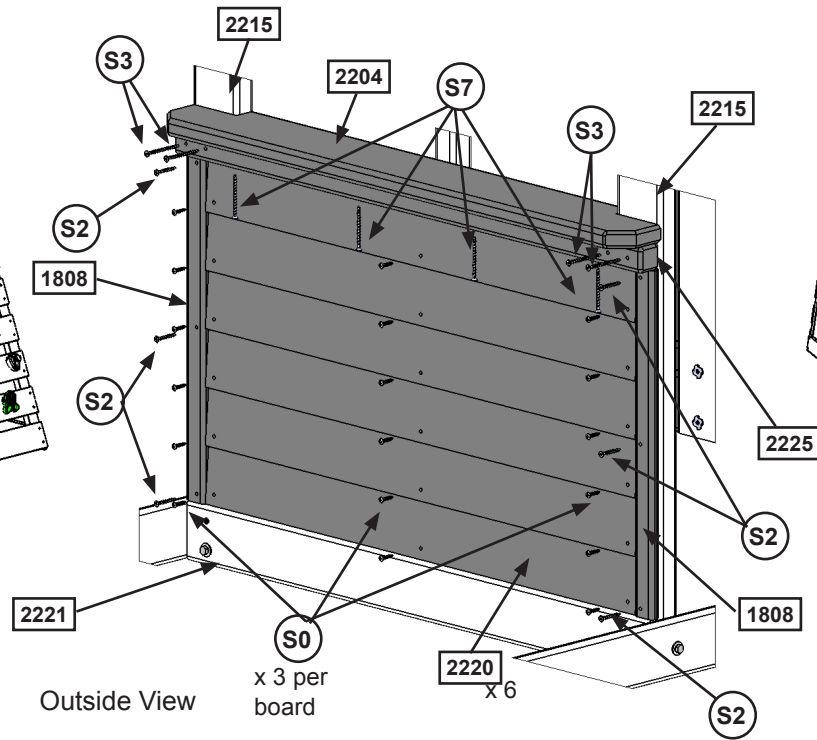
**F:** Tight to the top of both (1808) Short Trims attach (2225) Table Support to (2215) Posts with 4 (S3) #8 x 2-1/2" Wood Screws. (fig. 20.2)

**G:** Tight to the top of (2225) Table Support and tight to both (2215) Posts attach (2204) Cafe Top to (2225) Table Support with 4 (S7) #12 x 2" Pan Screws, as shown in fig. 20.2.

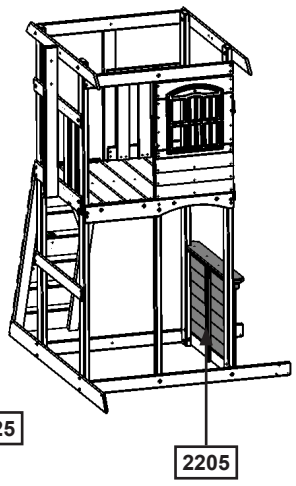
**Fig. 20.1**



**Fig. 20.2**



**Fig. 20.3**



Wood Parts	
6 x	(2220) Siding 3/8 x 3-1/2 x 33"
2 x	(1808) Short Trim 1 x 2 x 19-5/8"
1 x	(2225) Table Support 2 x 2 x 35-7/8"
1 x	(2204) Cafe Top 5/4 x 5 x 36"
1 x	(2205) Cafe Upright 5/4 x 2 x 24-1/2"

Hardware	
18 x	(S0) #8 x 7/8" Truss Screw
6 x	(S2) #8 x 1-1/2" Wood Screw
4 x	(S3) #8 x 2-1/2" Wood Screw
4 x	(S7) #12 x 2" Pan Screw



# Step 21: Cafe Seat Assembly

**A:** Loosely attach 1 (2202) Cafe Leg to each (2210) Front Back Ground with 2 (H1) 1/4 x 1-1/2" Hex Bolts (with lock washer, flat washer and t-nut) per board. (fig. 21.1 and 21.2)

**B:** Attach 1 (2201) Cafe Gusset tight to each (2202) Cafe Leg with 1 (S15) #8 x 1-3/4" Wood Screw per board in the top pilot holes and 1 (S3) #8 x 2-1/2" Wood Screw per board in the bottom pilot holes, and to each (2210) Front Back Ground with 1 (S2) #8 x 1-1/2" Wood Screw per board. The bottom of each (2201) Cafe Gusset should be flush to (2202) Cafe Leg and (2210) Front Back Ground. (fig. 21.2)

**C:** Centred over both (2202) Cafe Legs attach (2216) Seat with 4 (S15) #8 x 1-3/4" Wood Screws as shown in fig. 21.2.

**D:** Tight to (2216) Seat, on the inside of the assembly, attach (2217) Seat Support to the legs with 4 (S2) #8 x 1-1/2" Wood Screws. (fig. 21.2)

**E:** Tighten all bolts from this step.

Fig. 21.1

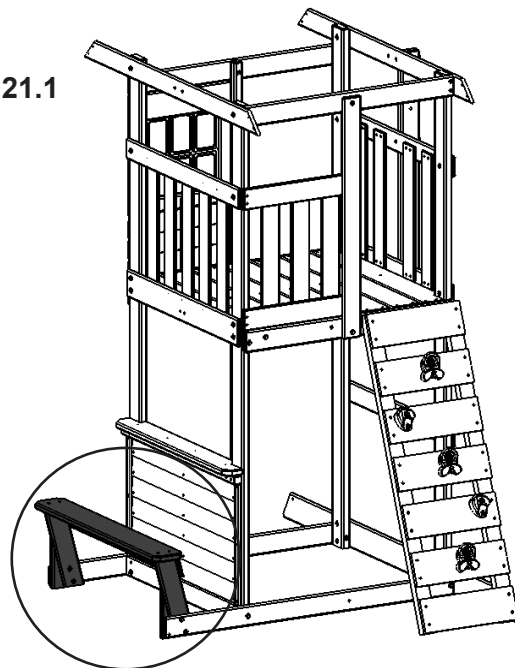
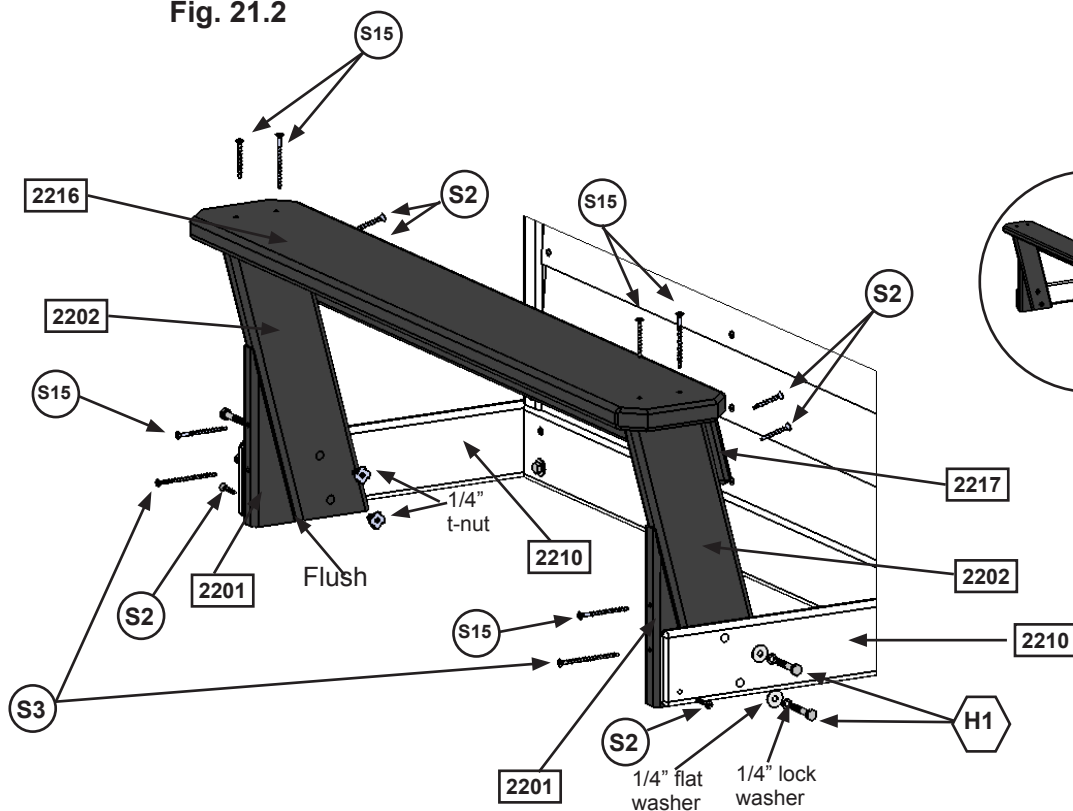


Fig. 21.2



## Wood Parts

- 2 x [2202] Cafe Leg 5/4 x 4 x 14-1/4"
- 2 x [2201] Cafe Gusset 5/4 x 2-1/4 x 8"
- 1 x [2216] Seat 5/4 x 6 x 39"
- 1 x [2217] Seat Support 1 x 4 x 35-7/8"

## Hardware

- 6 x (S15) #8 x 1-3/4" Wood Screw
- 6 x (S2) #8 x 1-1/2" Wood Screw
- 2 x (S3) #8 x 2-1/2" Wood Screw
- 4 x (H1) 1/4 x 1-1/2" Hex Bolt  
(1/4" lock washer, 1/4" flat washer, 1/4" t-nut)

# Step 22: Front Lower Wall Assembly Part 1

**A:** On the Front Wall, tight to the bottom of (1906) Top Front Back and flush to the outside of (2215) Post and (2213) Front Divider, attach (2226) Wall Board with 4 (S2) #8 x 1-1/2" Wood Screws (fig. 22.1 and 22.2)

**B:** Tight to the bottom of (2226) Wall Board attach 1 (2222) Side Window flush to the outside of both (2215) Post and (2213) Front Divider with 4 (S2) #8 x 1-1/2" Wood Screws per board. Make sure the pilot holes are closer to the outside of the boards. (fig. 22.2)

**C:** Tight to the bottom of each (2222) Side Window and flush to the outside of both (2215) Post and (2213) Front Divider attach (2214) Lower Window with 4 (S2) #8 x 1-1/2" Wood Screws. (fig. 22.2)

**D:** Tight to the top of (2210) Front Back Ground and flush to the outside of (2215) Post and (2213) Front Divider, attach 1 (2219) Siding with 2 (S0) #8 x 7/8" Truss Screws. (fig. 22.2)

Fig. 22.2

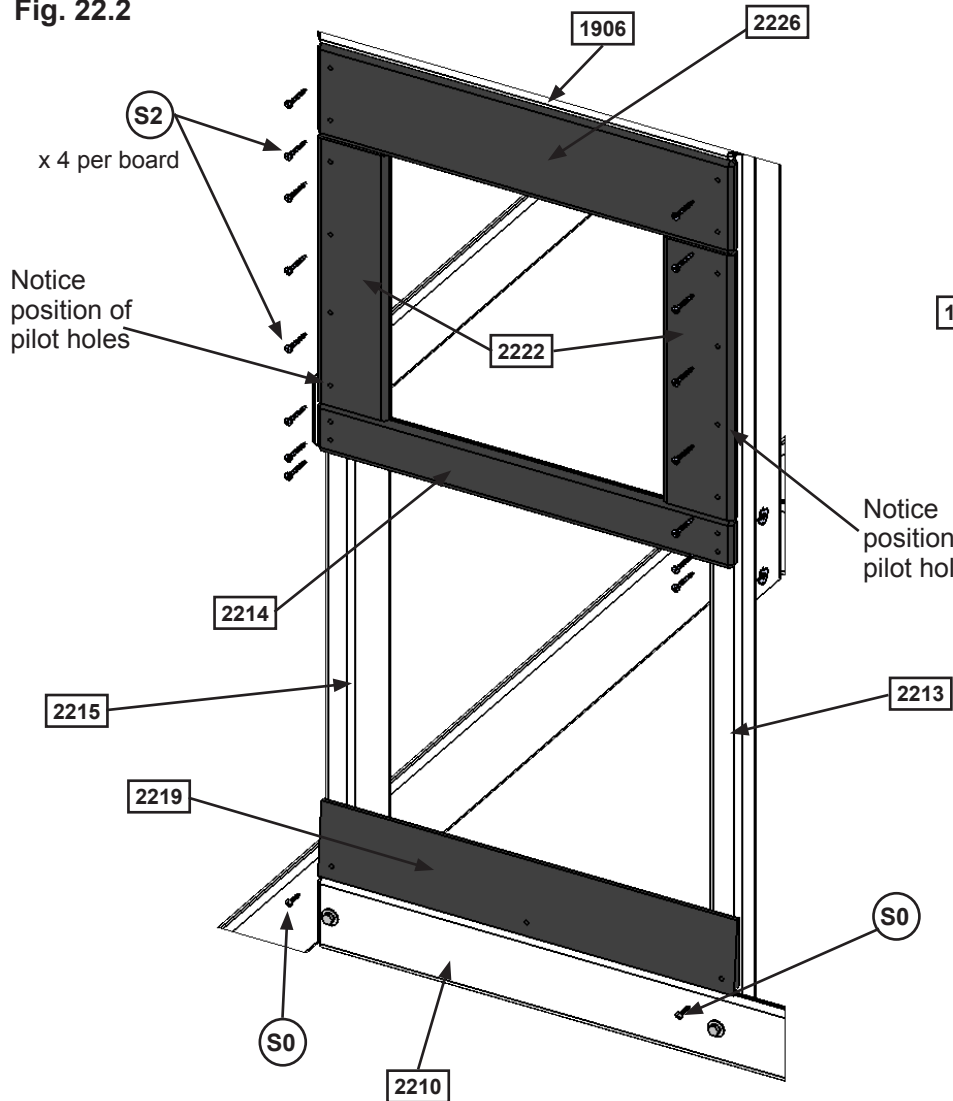
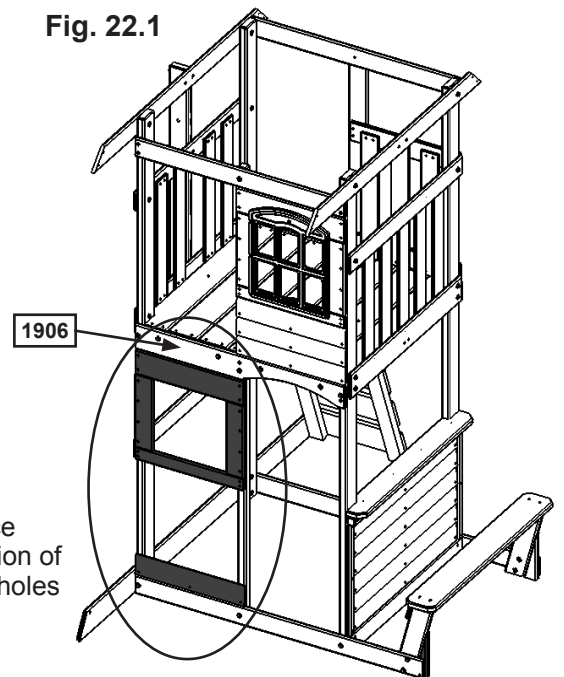


Fig. 22.1



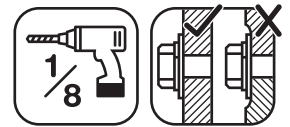
### Wood Parts

- 1 x (2226) Wall Board 1 x 5 x 20"
- 2 x (2222) Side Window 1 x 4 x 12-3/4"
- 1 x (2214) Lower Window 1 x 3 x 20"
- 1 x (2219) Siding 3/8 x 3-1/2 x 20"

### Hardware

- 2 x (S0) #8 x 7/8" Truss Screw
- 16 x (S2) #8 x 1-1/2" Wood Screw

# Step 22: Front Lower Wall Assembly Part 2



**E:** Evenly space 5 (2219) Siding between (2214) Lower Window and the bottom (2219) Siding, flush to the outside of both (2215) Post and (2213) Front Divider, making sure there are no gaps between boards. Attach with 2 (S0) #8 x 7/8" Truss Screws per board. (fig. 22.3 and 22.4)

**F:** From inside the assembly place (2205) Cafe Upright over the centre pilot holes of the (2219) Siding and attach from outside of the assembly with 6 (S0) #8 x 7/8" Truss Screws as shown in fig. 22.4 and 22.5.

**G:** From outside the assembly place 1 6-Pane Arch Window in the window gap and attach with 8 (S13) #6 x 5/8" Pan Screws. (fig. 22.4)

**Note:** Pre-drill all holes using a 1/8" drill bit before installing the lag screws.

**H:** Loosely attach 1 (0369) Lower Diagonal to (2223) SW Ground with 1 (H2) 1/4 x 2" Hex Bolt (with lock washer, flat washer and t-nut). (fig. 22.4)

**I:** Attach the other end of (0369) Lower Diagonal to (2222) Side Window with 1 (LS3) 1/4 x 3" Lag Screw (with flat washer). Tighten the bolt from Step H. (fig. 22.4)

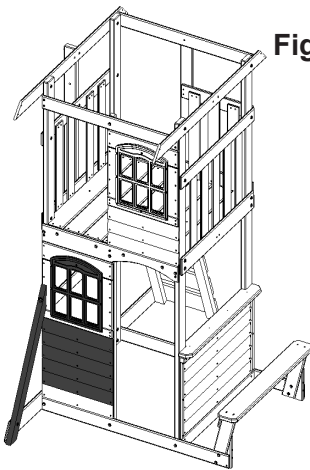


Fig. 22.3

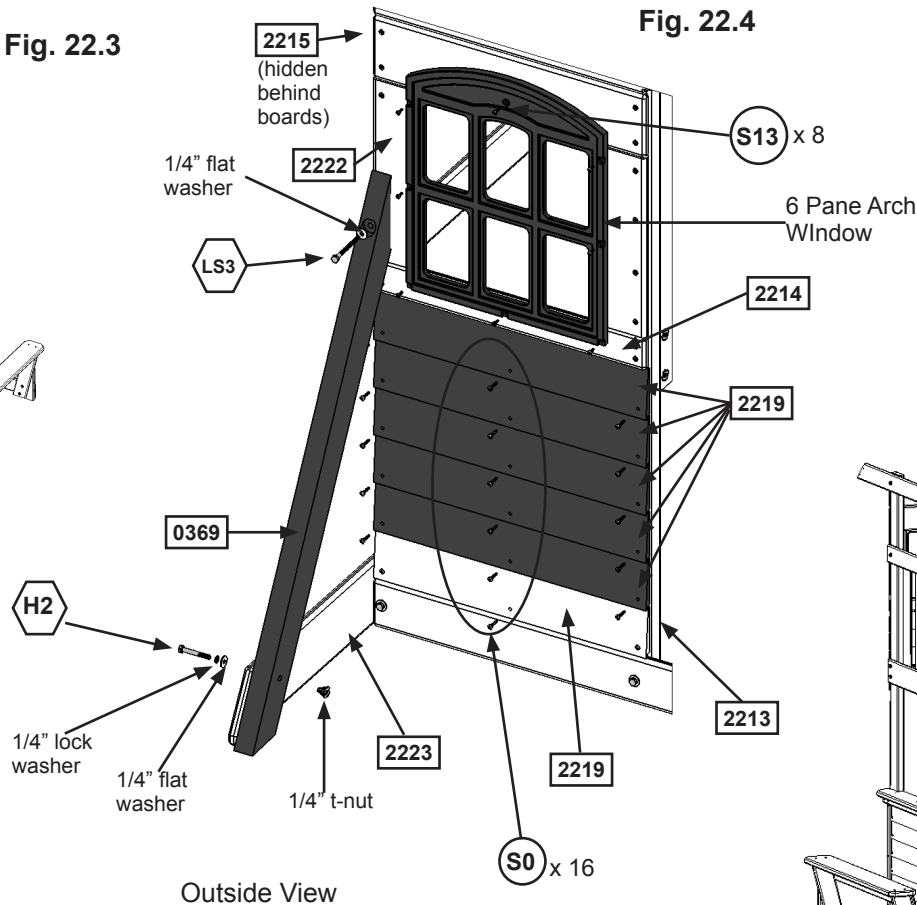
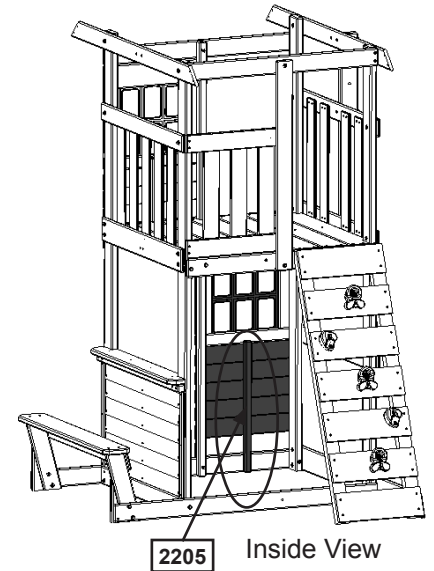


Fig. 22.4

Fig. 22.5



2205 Inside View

### Wood Parts

- 5 x 2219 Siding 3/8 x 3-1/2 x 20"
- 1 x 2205 Cafe Upright 5/4 x 2 x 24-1/2"
- 1 x 0369 Lower Diagonal 2 x 3 x 37"

### Hardware

- 16 x S0 #8 x 7/8" Truss Screw
- 8 x S13 #6 x 5/8" Pan Screw
- 1 x H2 1/4 x 2" Hex Bolt (1/4" lock washer, 1/4" flat washer, 1/4" t-nut)
- 1 x LS3 1/4 x 3" Lag Screw (1/4" flat washer)

### Other Parts

- 1 x 6-Pane Arch Window

## Step 23: Attach Ground Stakes



MOVE FORT TO FINAL LOCATION. FINAL LOCATION MUST BE LEVEL GROUND

**⚠️WARNING:** To prevent tipping and avoid potential injury, stakes must be driven 10-1/2" into ground. Digging or driving stakes can be dangerous if you do not check first for underground wiring, cables or gas lines.

**A:** Drive 2 (0318) Ground Stakes 10-1/2" into the ground at both ends of (2223) SW Ground into both (0369) Lower Diagonal and (0349) Rock Rail as shown in fig. 23.1. Attach using 2 (S3) #8 x 2-1/2" Wood Screws per ground stake. (fig. 23.2)

Fig. 23.1

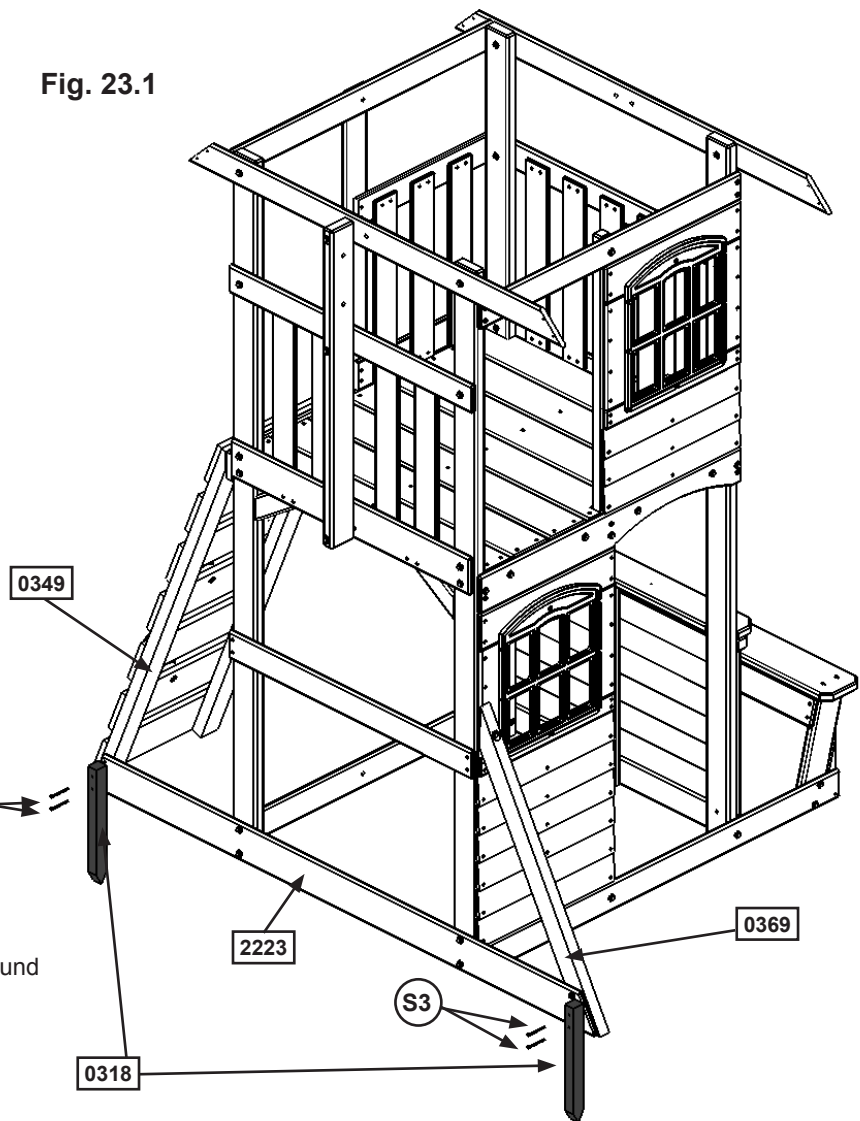
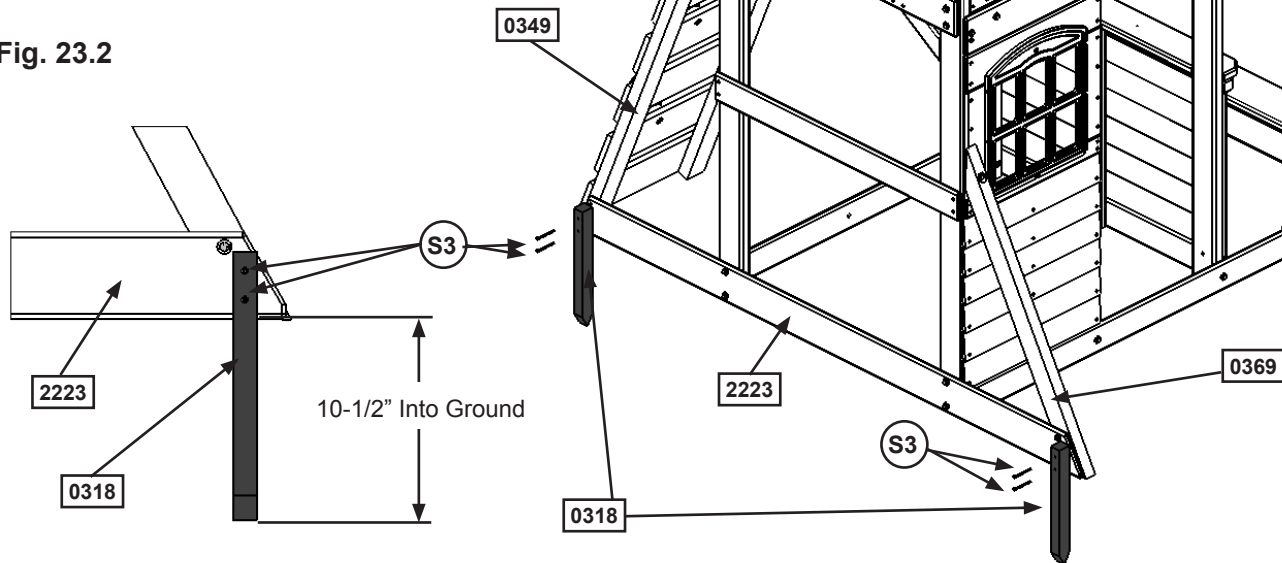


Fig. 23.2



### Wood Parts

2 x 0318 Ground Stake 1-1/4 x 1-1/2 x 14"

### Hardware

4 x S3 #8 x 2-1/2" Wood Screw

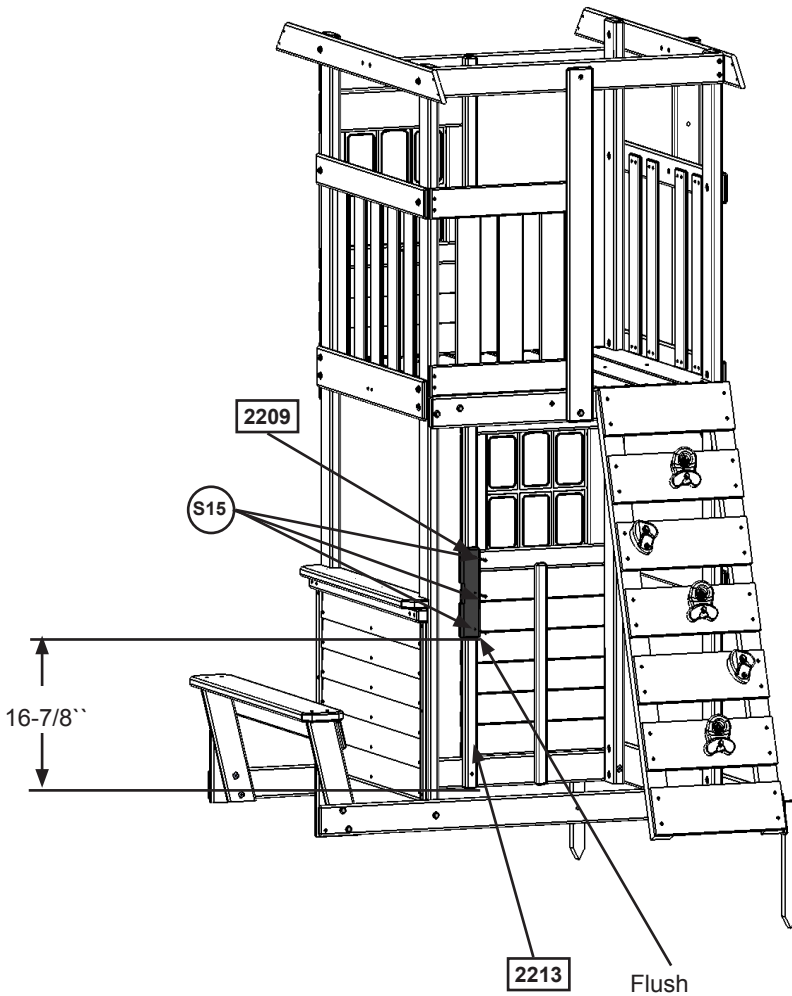
# Step 24: Attach Door Stop to Fort



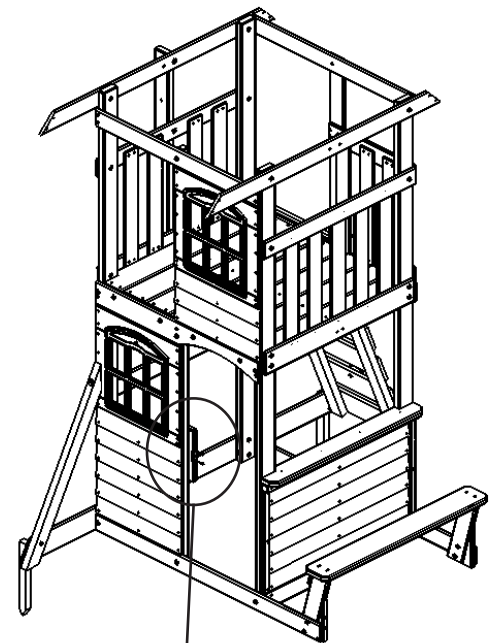
**A:** From inside the fort measure 16-7/8" up from the bottom of (2213) Front Divider and attach (2209) Door Stop flush to the inside edge of (2213) Front Divider with 3 (S15) #8 x 1-3/4" Wood Screws. (fig. 24.1)

**B:** In the notched out opening of (2209) Door Stop attach the Magnetic Catch using 2 (S18) #6 x 1" Wood Screws. (fig. 24.2 and 24.3) **Important: Use a hand held screw driver and DO NOT over tighten.**

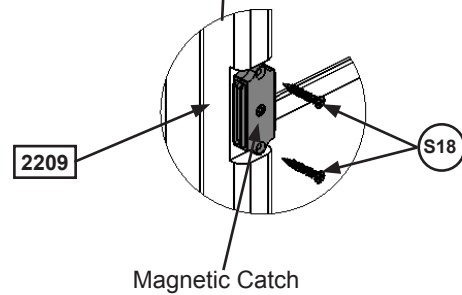
**Fig. 24.1** Front Wall



**Fig. 24.2**



**Fig. 24.3**



**Wood Parts**

1 x (2209) Door Stop 5/4 x 3 x 10"

**Hardware**

3 x (S15) #8 x 1-3/4" Wood Screw

2 x (S18) #6 x 1" Wood Screw

**Other Parts**

1 x Magnetic Catch

# Step 25: Door Assembly Part 1



**A:** Place 1 (2230) Door Cross flush to the bottom and outside edges of (2057) Door Side Right and (2058) Door Side Left. (fig. 25.1)

**B:** Place the second (2230) Door Cross in the middle notches of (2057) Door Side Right and (2058) Door Side Left, flush to the outside edges. (fig. 25.1)

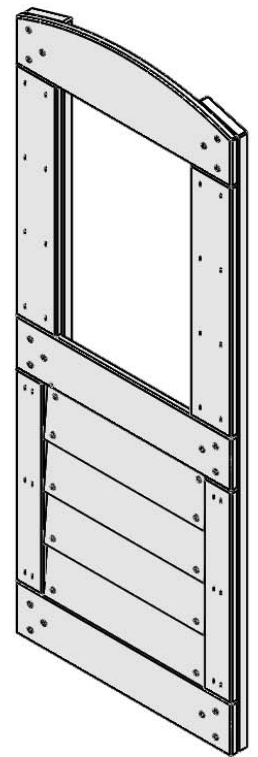
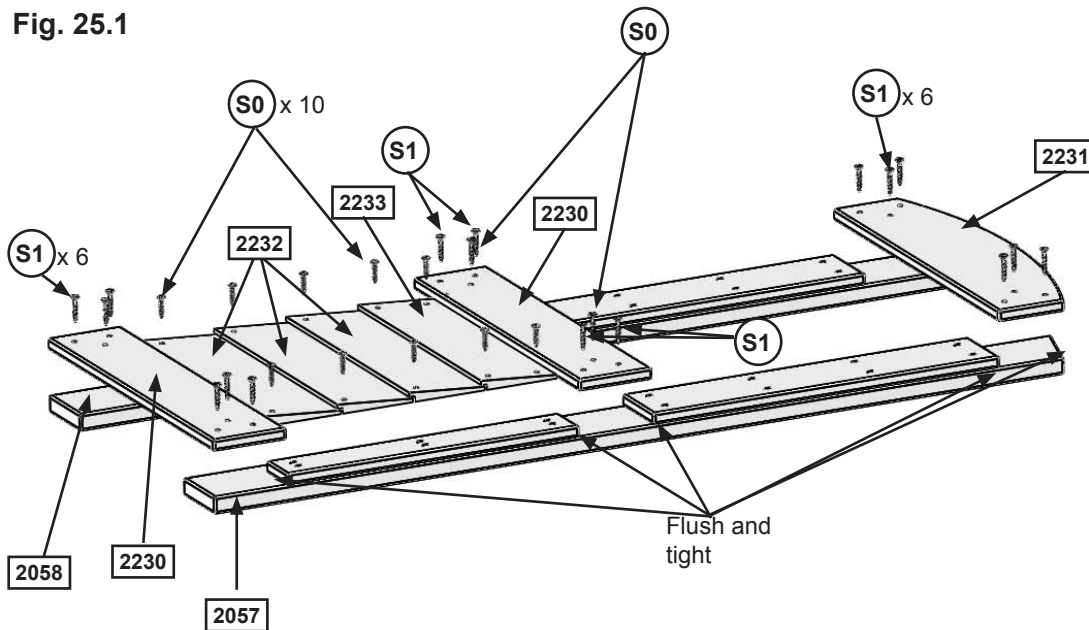
**C:** Place (2231) Door Arch tight to the top notches of (2057) Door Side Right and (2058) Door Side Left, flush to the outside edges. (fig. 25.1)

**D:** Make sure assembly is square then attach top and bottom boards with 6 (S1) #8 x 1-1/8" Wood Screws per board. Attach the middle (2230) Door Cross with 4 (S1) #8 x 1-1/8" Wood Screws in the outer holes and 2 (S0) #8 x 7/8" Truss Screws in the inner holes. (fig. 25.1)

**E:** Starting tight to the bottom (2230) Door Cross, and working up, evenly space 3 (2232) Door Siding then 1 (2233) Door Siding Top tight to the inside edges of (2057) Door Side Right and (2058) Door Side Left. (2233) Door Siding Top should sit tight to the top (2230) Door Cross. Attach each (2232) Door Siding with 2 (S0) #8 x 7/8" Truss Screws per board and (2233) Door Siding Top with 4 (S0) #8 x 7/8" Truss Screws. (fig. 25.1)

Fig. 25.2

Fig. 25.1



### Wood Parts

1 x  2057 Door Side Right 1-1/4 x 3 x 40-1/8"	3 x  2232 Door Siding 3/8 x 3-1/2 x 11-13/16"
1 x  2058 Door Side Left 1-1/4 x 3 x 40-1/8"	1 x  2233 Door Siding Top 3/8 x 3-1/2 x 11-13/16"
2 x  2230 Door Cross 1/2 x 3-3/8 x 15-7/8"	
1 x  2231 Door Arch 1/2 x 4-1/2 x 15-7/8"	

### Hardware

16 x  S1 #8 x 1-1/8" Wood Screw
12 x  S0 #8 x 7/8" Truss Screw



## Step 25: Door Assembly Part 2

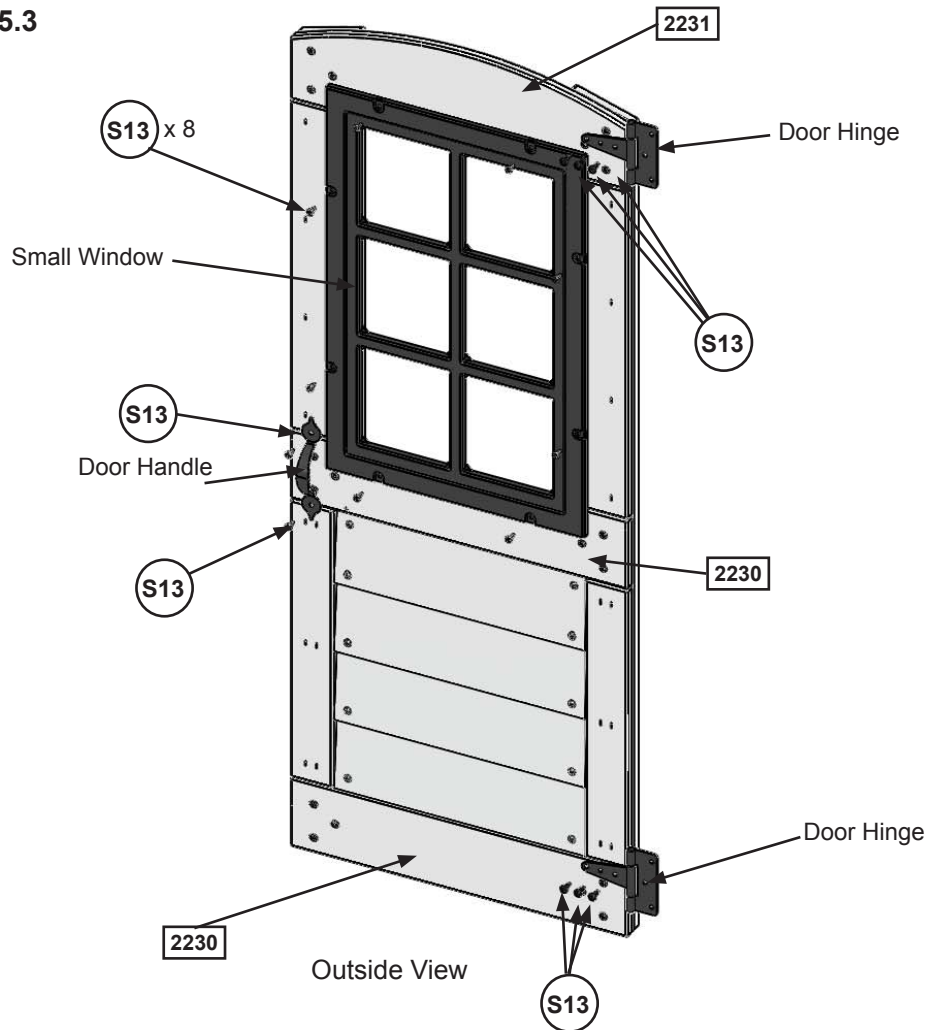
**F:** On the outside face of the Door Assembly place Small Window in the window gap and attach with 8 (S13) #6 x 5/8" Pan Screws. (fig. 25.3)

**G:** On the outside of the Door Assembly place 1 Door Handle centred over the top (2230) Door Cross, as shown in fig. 25.3, then attach with 2 (S13) #6 x 5/8" Pan Screws.

**H:** On the opposite side from the Door Handle, on the outside, place 1 Door Hinge flush to the top of the lower (2230) Door Cross and 1 Door Hinge centred on (2231) Door Arch, as shown in fig. 25.3, then attach with 3 (S13) #6 x 5/8" Pan Screws per hinge.

**Note:** Hinge stops must be tight to the Door Assembly.

**Fig. 25.3**



### Hardware

16 x (S13) #6 x 5/8" Pan Screw

### Other Parts

1 x Door Handle  
2 x Door Hinge  
1 x Small Window



# Step 25: Door Assembly Part 3



I: On the inside of Door Assembly, measure 16-3/4" up from the bottom of (2058) Door Side Left and attach Catch Plate using 2 (S18) #6 x 1" Wood Screws. (fig.25.4 and 25.5)

J: Place a second Door Handle on the inside of the Door Assembly at approximately the same spot as the first then attach with 2 (S13) #6 x 5/8" Pan Screws. (fig. 25.4 and 25.5)

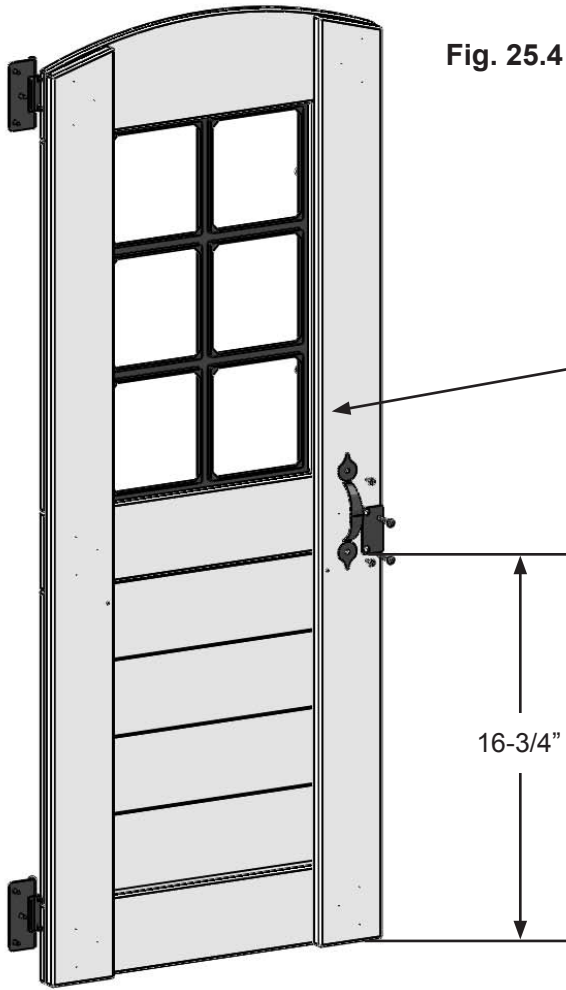


Fig. 25.4

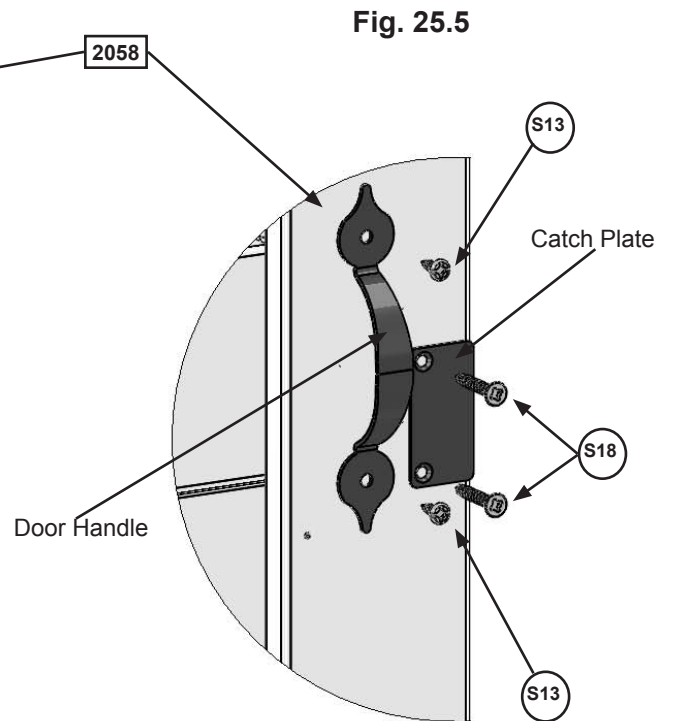


Fig. 25.5

Inside View

### Hardware

- 2 x (S18) #6 x 1" Wood Screw
- 2 x (S13) #6 x 5/8" Pan Screw

### Other Parts

- 1 x Door Handle
- 1 x Catch Plate

# Step 26: Attach Door Assembly to Fort



**A:** In the opening for the door on the Front Wall, measure 5/8" up from the top of (2210) Front Back Ground then attach remaining side of the Door Hinges to (2215) Post with 3 (S13) #6 x 5/8" Pan Screws per hinge. (fig. 26.1, 26.2 and 26.3)

Fig. 26.1

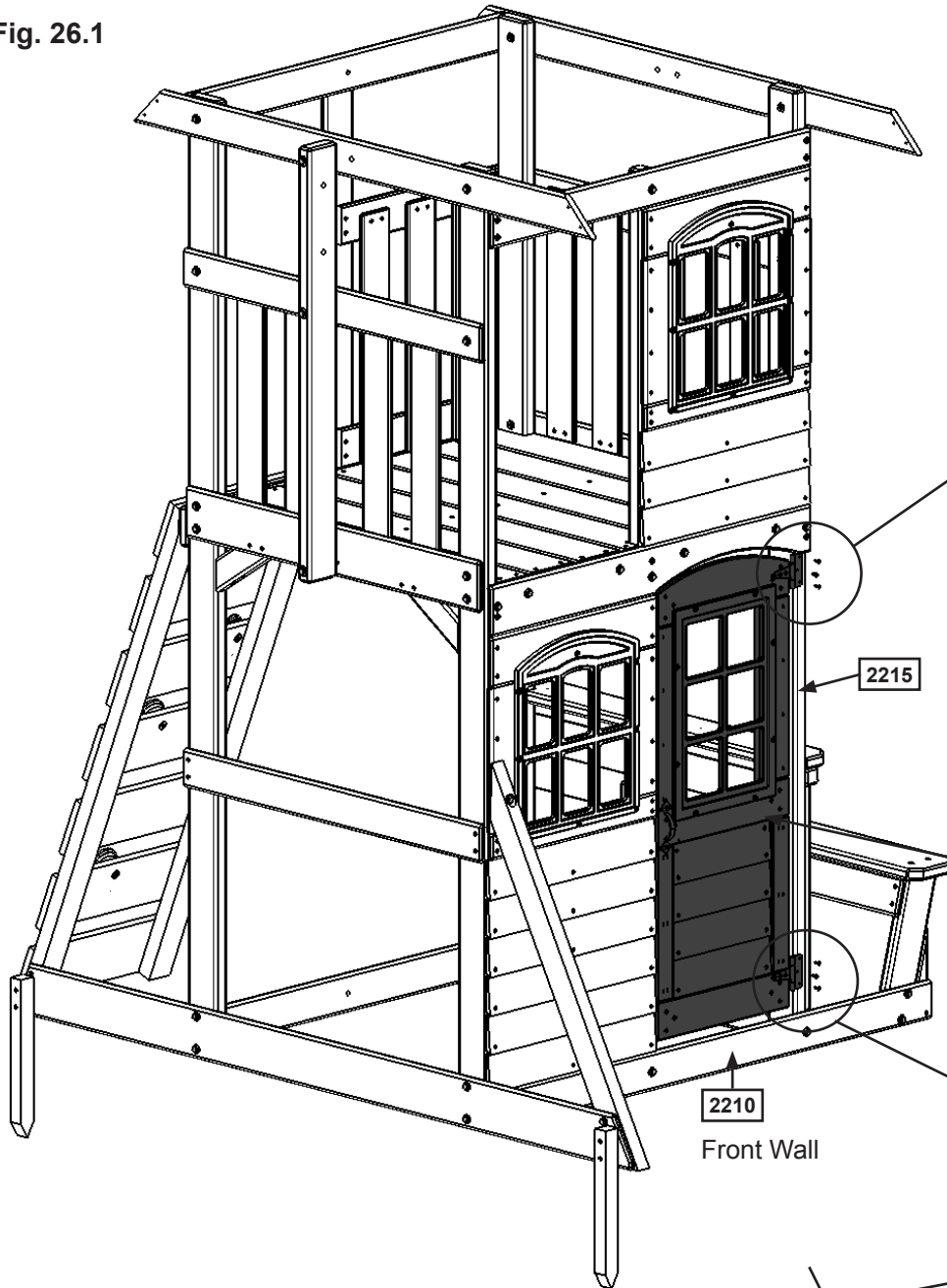


Fig. 26.3

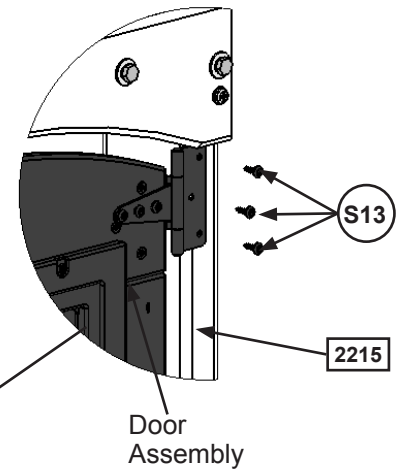
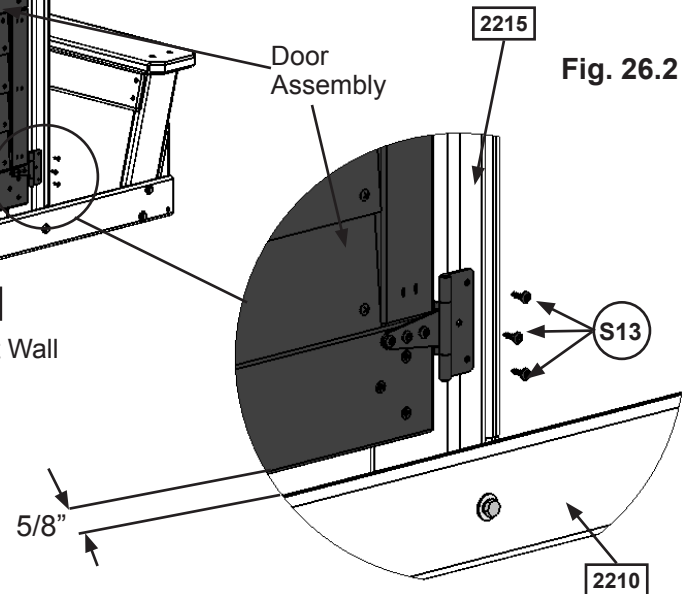


Fig. 26.2



### Hardware

6 x (S13) #6 x 5/8" Pan Screw

# Step 27: Attach Cafe Canopy to Fort



- A:** Feed Cafe Canopy Frame through the pocket of the Cafe Canopy. (fig. 27.2)
- B:** With a helper, hold the Cafe Canopy Frame against the (2215) Posts on the Cafe Wall. The top of the canopy should rest flush to the top of (1934) End Floor and pulled tight. (fig. 27.1 and 27.2)
- C:** Attach Cafe Canopy Frame to (2215) Posts with 1 (S6) #12 x 1" Pan Screw per side. (fig. 27.2 and 27.3)
- D:** Make sure the Cafe Canopy is smooth and tight then attach to the top edge of (1934) End Floor with 4 evenly spaced (S13) #6 x 5/8" Pan Screws (with #8 flat washer). On each side of the Cafe Canopy, measure 1-1/2" down from the top of (1934) End Floor and 1/2" in from each edge of the canopy then install 1 (S13) #6 x 5/8" Pan Screw (with 8" flat washer) to each side. (fig. 27.2)

Fig. 27.1

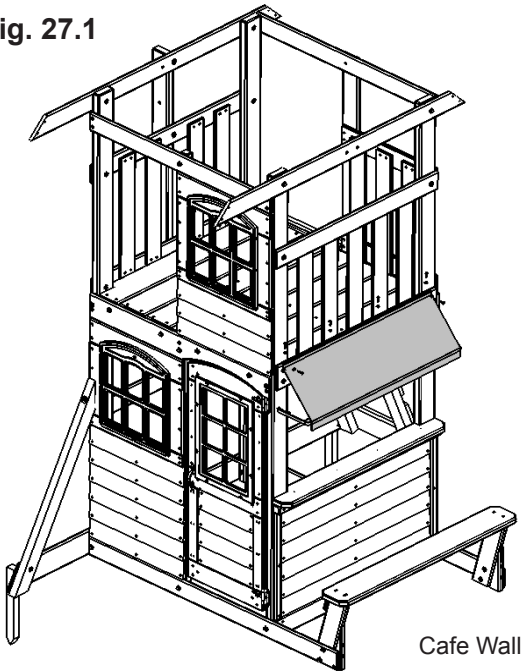


Fig. 27.2

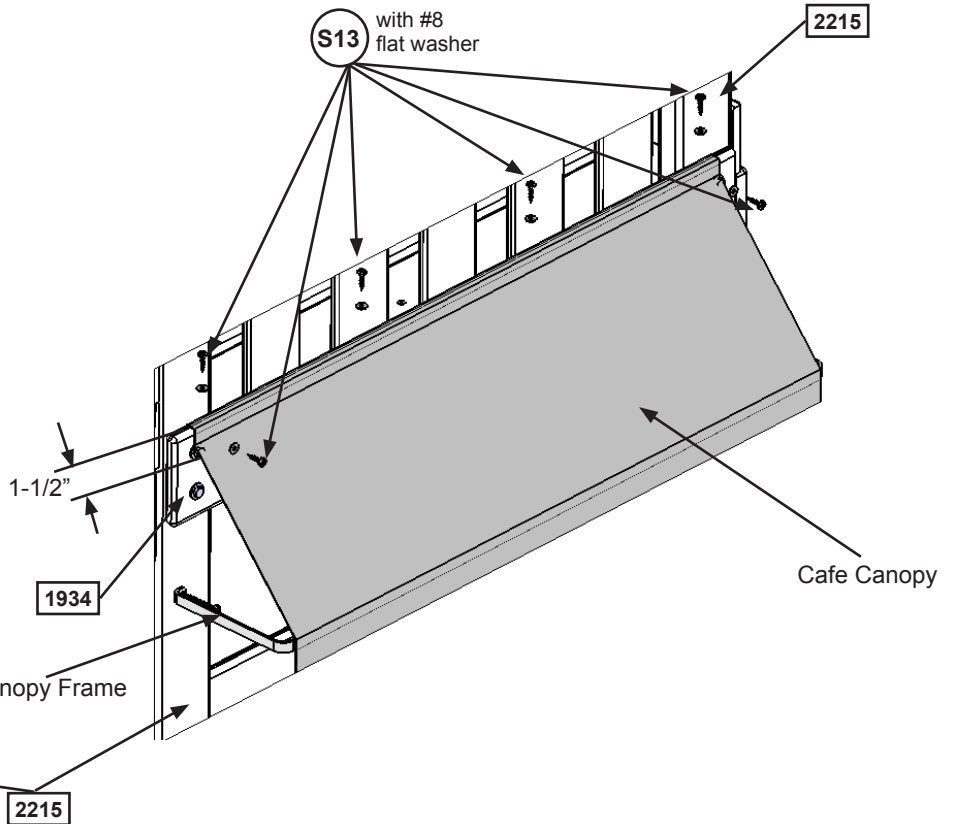
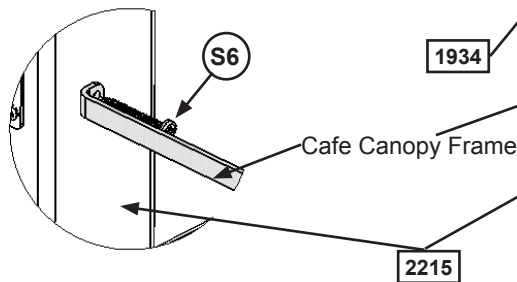


Fig. 27.3



**Hardware**

- 6 x (S13) #6 x 5/8" Pan Screw (#8 flat washer)
- 2 x (S6) #12 x 1" Pan Screw

**Other Parts**

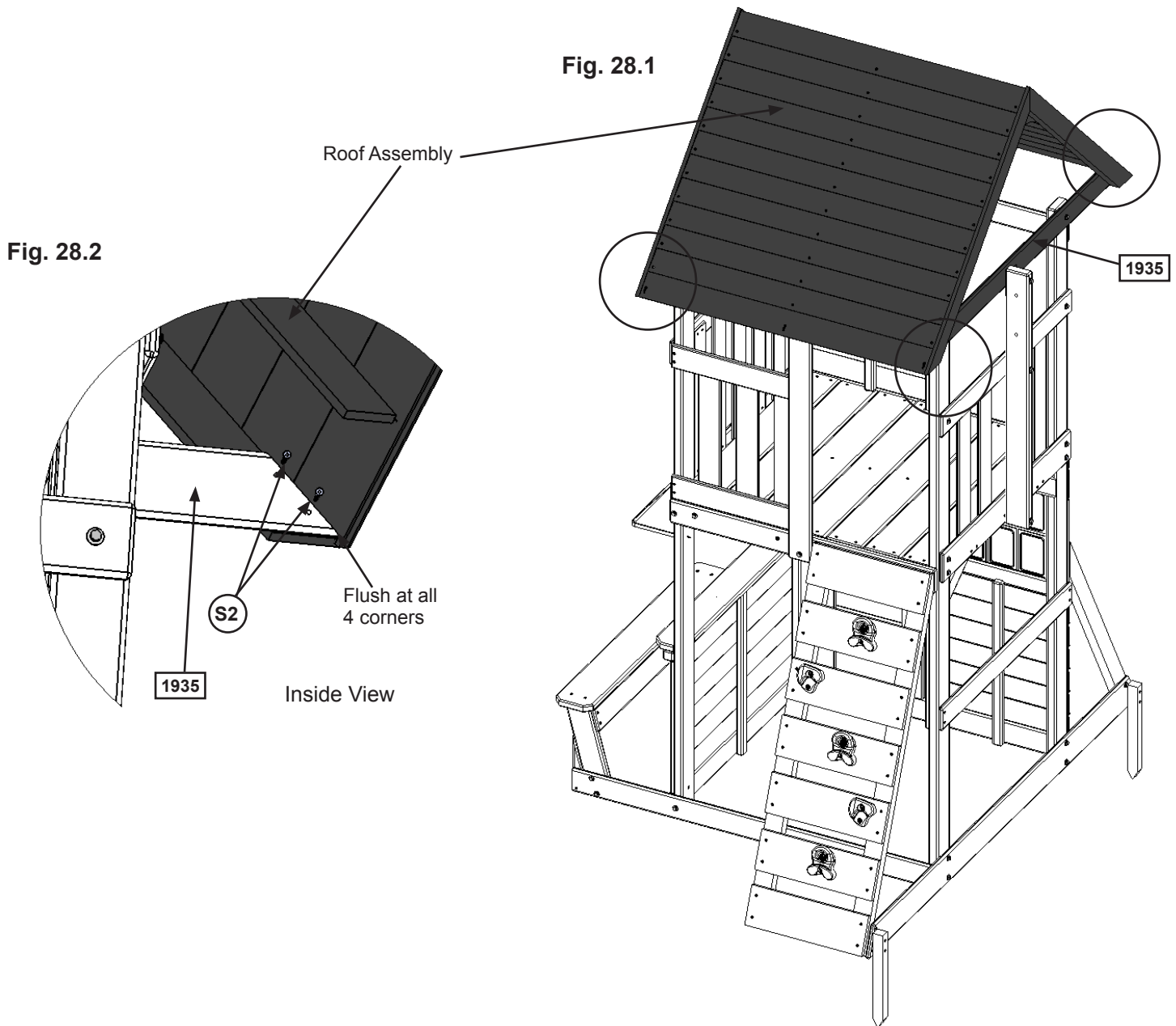
- 1 x Cafe Canopy
- 1 x Cafe Canopy Frame

# Step 28: Attach Roof to Fort Part 1




**A:** With two helpers place the Roof Assembly, from Step 6, on the fort as shown in fig. 28.1. All four corners of the roof should be flush to the bottoms of both (1935) Side Roof. (fig. 28.1 and 28.2)

**B:** Predrill and attach (1935) Side Roof to the Roof Assembly at all four corners with 2 (S2) #8 x 1-1/2" Wood Screw per corner. (fig. 28.2)



### Hardware

8 x  #8 x 1-1/2" Wood Screw

## Step 28: Attach Roof to Fort Part 2

**C:** On this inside of the assembly attach 1 (1663) Roof Arch to each (1424) Roof Support Assembly with 4 (S2) #8 x 1-1/2" Wood Screws per arch. The sides of the arch should be tight to the (1930) Siding. (fig. 28.3 and 28.4)

Fig. 28.3

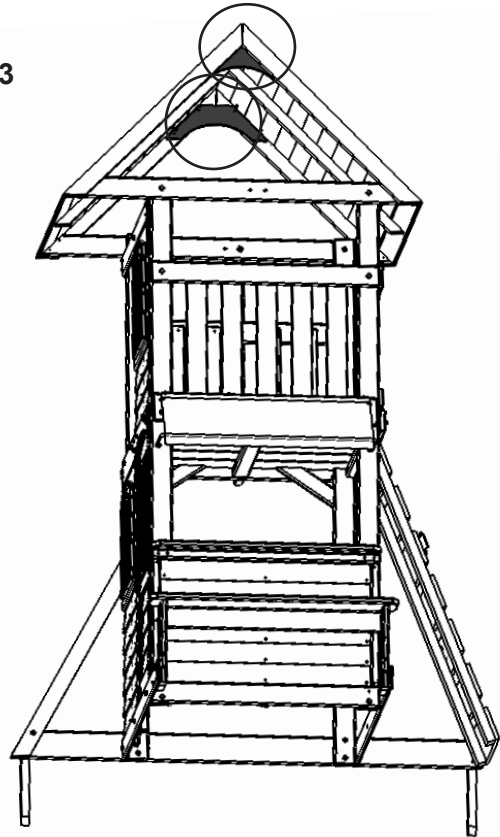
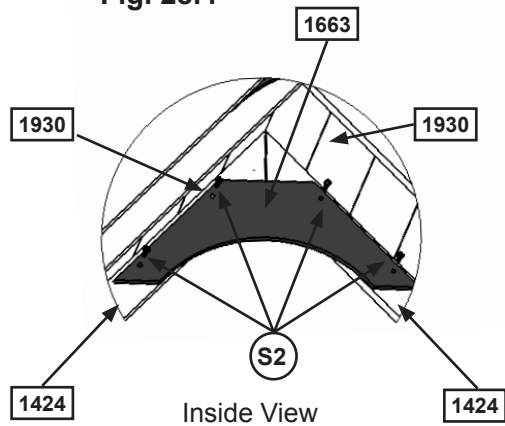


Fig. 28.4



### Wood Parts

2 x 1663 Roof Arch 1 x 6 x 16"

### Hardware

8 x S2 #8 x 1-1/2" Wood Screw

# Step 29: Attach Slide to Fort



**A:** Place Slide in the centre between (2213) Front Divider and (2215) Post. (fig. 29.1 and 29.2)

**B:** Pre-drill with a 1/8" drill bit then attach slide to fort through floor boards and into (2218) Short Joist using 3 (S7) #12 x 2" Pan Screws. (fig. 29.2)

Fig. 29.1

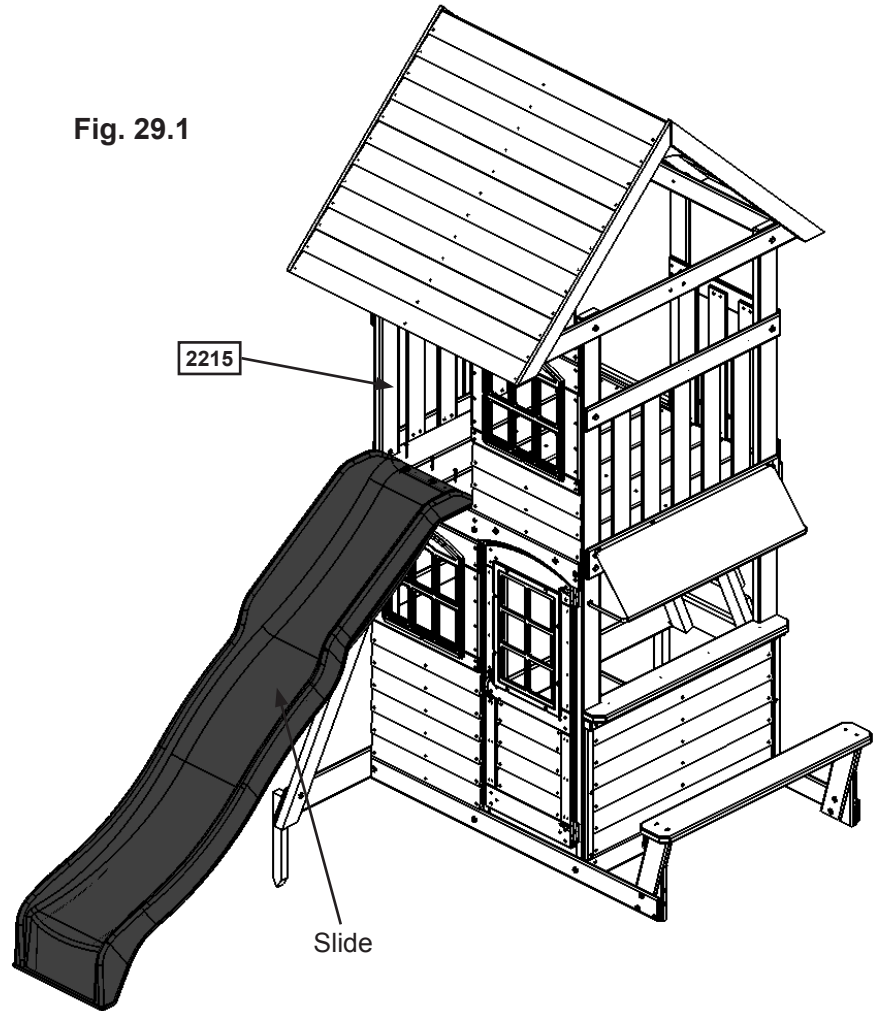
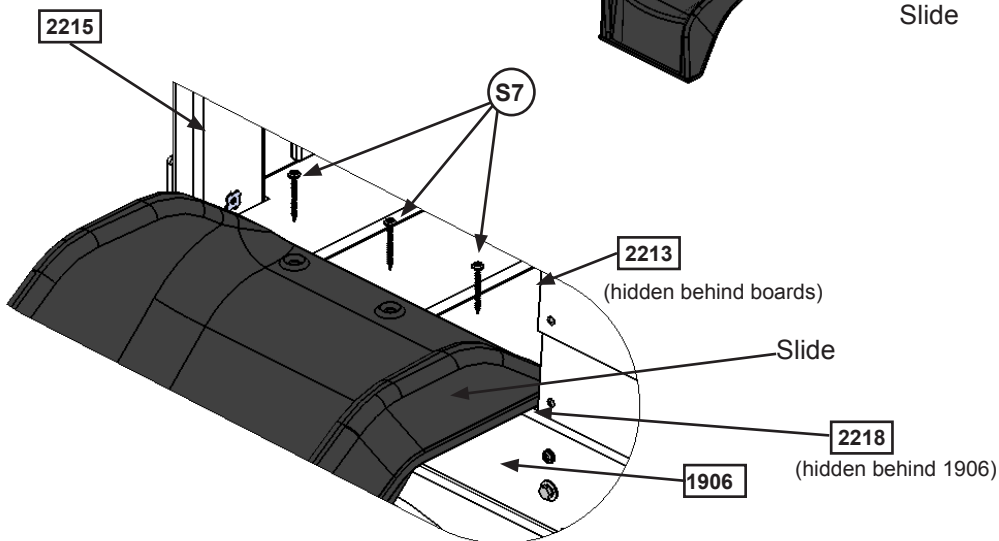



Fig. 29.2



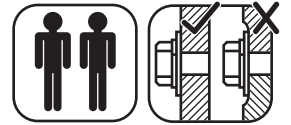
**Hardware**

3 x  #12 x 2" Pan Screw

**Other Parts**

1 x Slide

# Step 30: Attach Swing Assembly to Fort



**A:** Attach Swing Assembly from Step 5 to (2228) Wall Mount with 1 (G5) 5/16 x 4-1/2" Hex Bolt (with lock washer, flat washer and t-nut) and 1 (G8) 5/16 x 2" Hex Bolt (with 2 flat washers and 1 lock nut) as shown in fig. 30.1 and 30.2.

Fig. 30.1

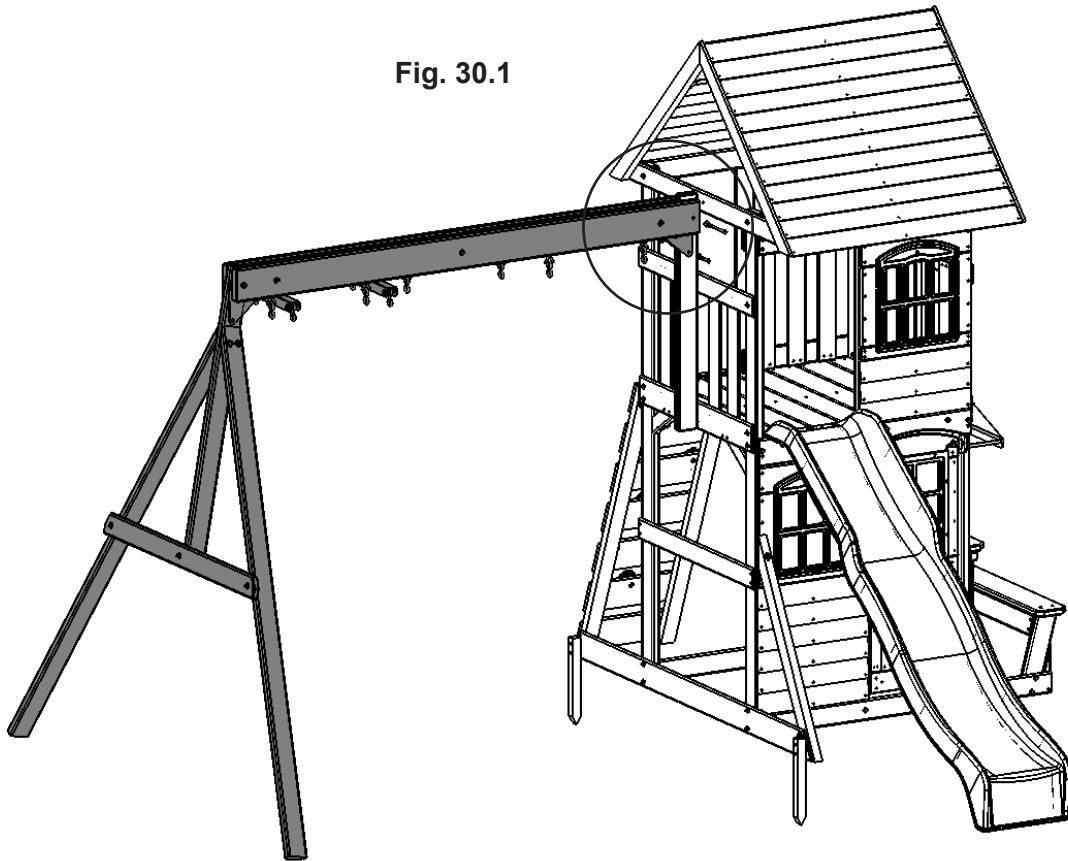
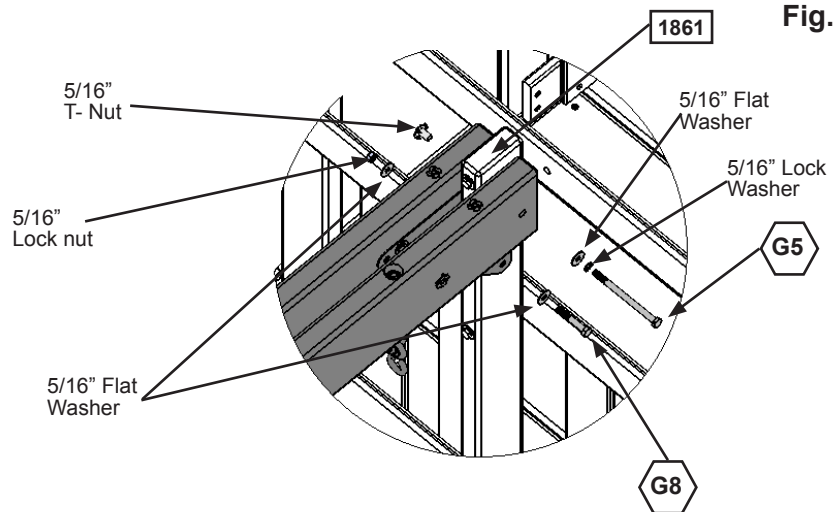


Fig. 30.2



### Hardware

1 x G5 5/16 x 4-1/2" Hex Bolt (5/16" lock washer, 5/16" flat washer, 5/16" t-nut)

1 x G8 5/16 x 2" Hex Bolt (5/16" flat washer x 2, 5/16" lock nut)



# Step 31: Attach Swing Ground Stakes



**A:** Drive one (0318) Ground Stake 10-1/2" into the ground at each (1863) SW Post and attach with 2 (S3) #8 x 2-1/2" Wood Screws per ground stake. (fig. 31.1 and 31.2)

**⚠ WARNING:** To prevent tipping and avoid potential injury, stakes must be driven 10-1/2" into ground. Digging or driving stakes can be dangerous if you do not check first for underground wiring, cables or gas lines.

Fig. 31.1

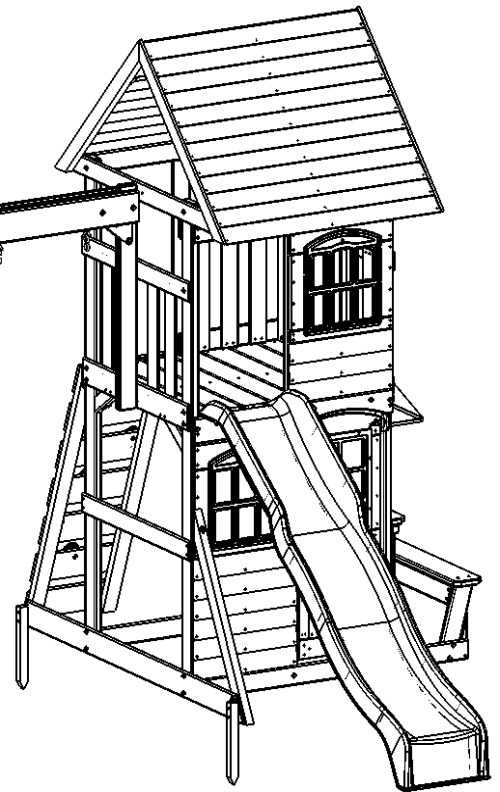
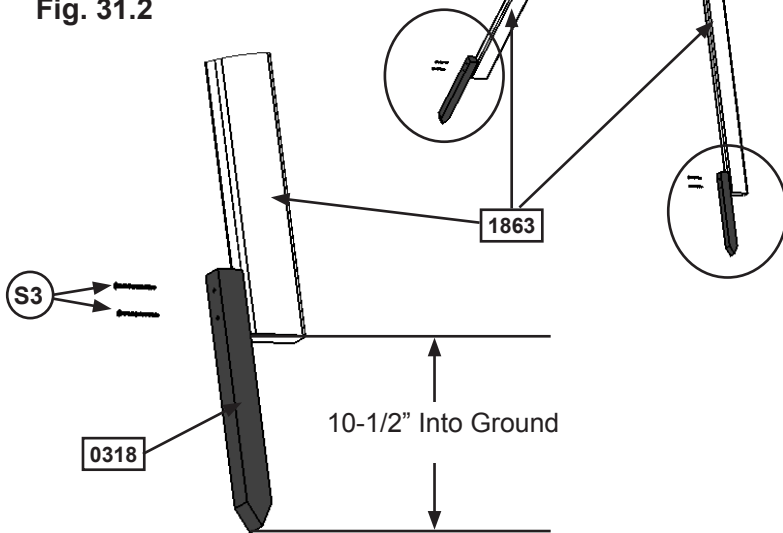


Fig. 31.2



### Wood Parts

2 x 0318 Ground Stake 1-1/4 x 1-1/2 x 14"

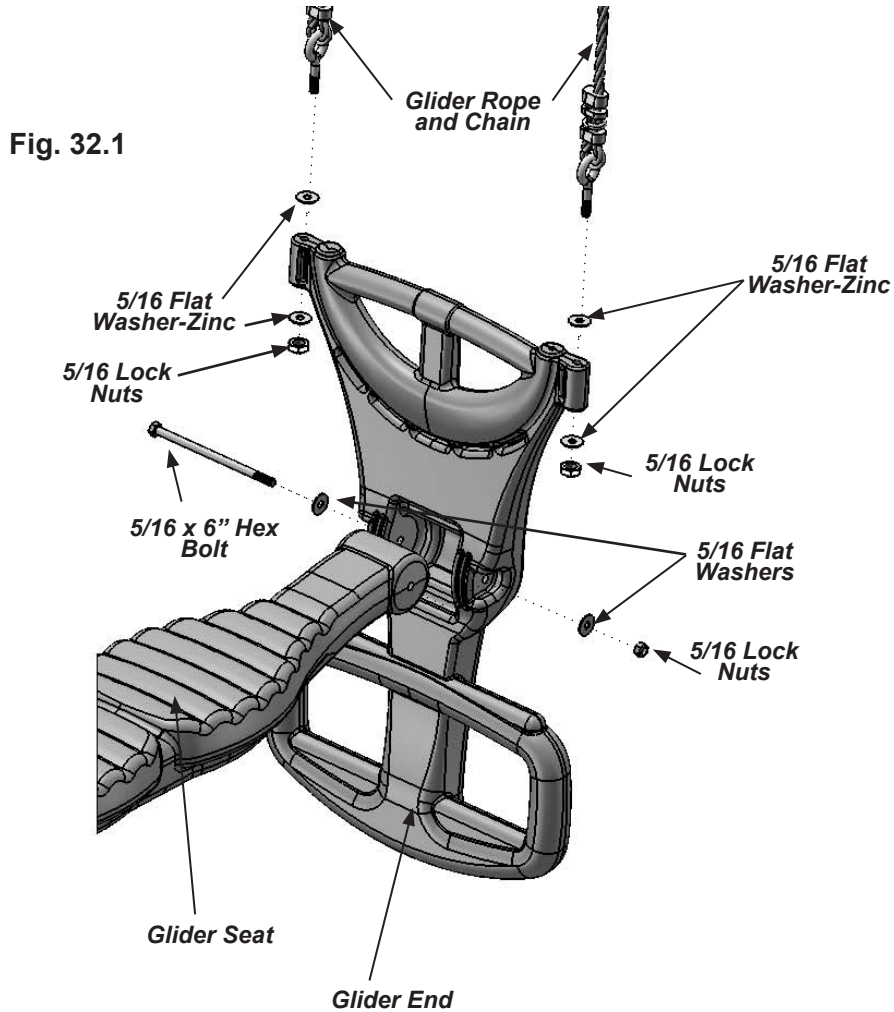
### Hardware

4 x S3 #8 x 2-1/2" Wood Screw

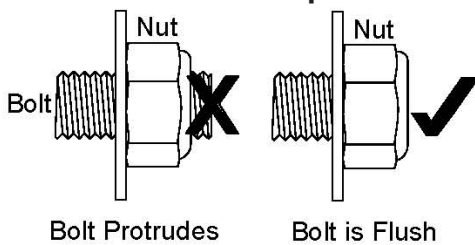
# Step 32: Glider Assembly

**A:** Attach 1 Glider End to the Glider Seat using 1 (Z) 5/16 x 6" Hex Bolt (with 2 flat washers and 1 lock nut). Repeat for the second Glider End. (fig. 32.1)

**B:** Install 2 Glider Rope with Chains into each Glider End using 2 - 5/16" Flat Washers and 1 Lock Nut per rope. (fig. 32.1)



**⚠ WARNING:** Bolt must not exceed 1/2 thread past the nut



### Hardware

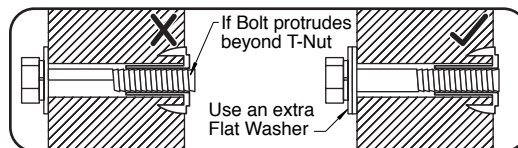
- 2 x (Z) 5/16 x 6" Hex Bolt (5/16" flat washer x 2, 5/16" lock nut)
- 8 x 5/16" Flat Washer
- 4 x 5/16" Lock Nut

### Other Parts

- 2 x Glider Ends
- 1 x Glider Seat
- 1 x Glider Rope and Chain (pkg of 4)

## Step 33: Attach Glider and Swings

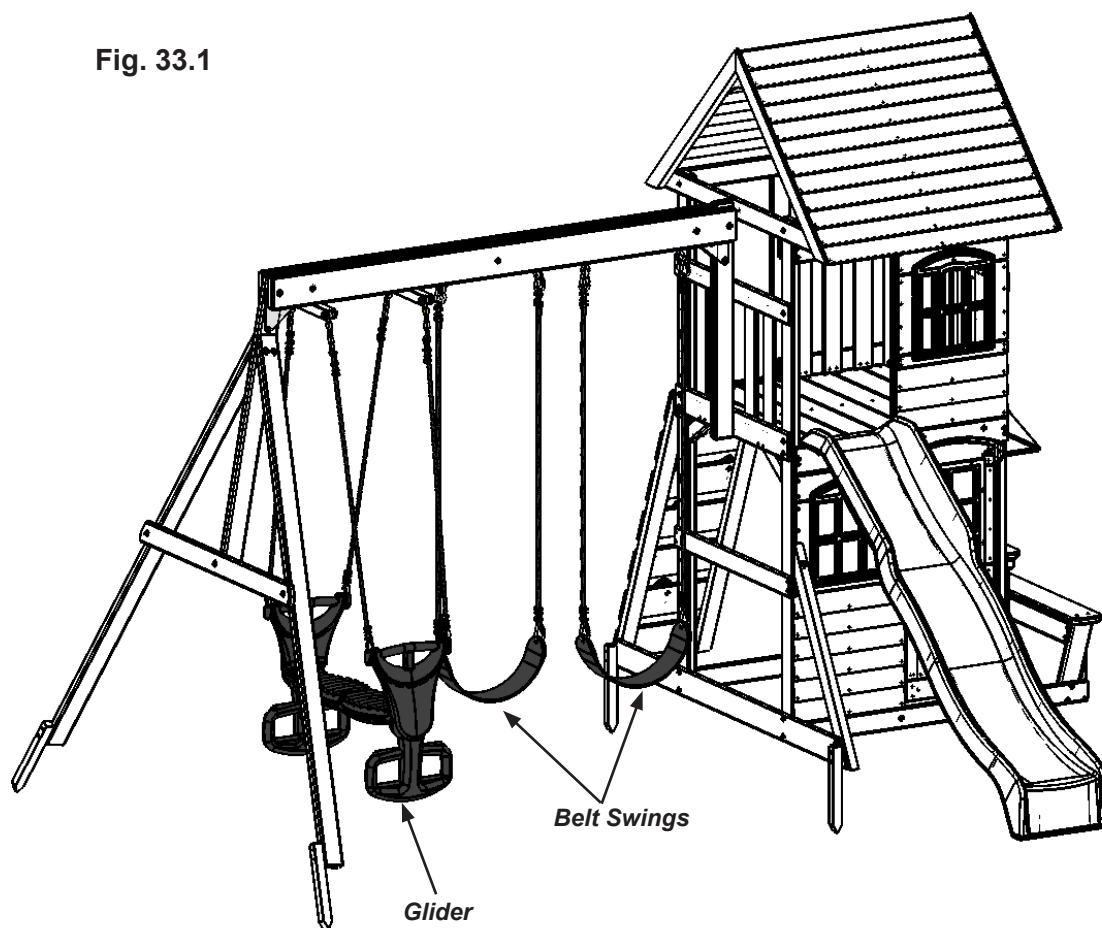
**⚠ WARNING:** Check entire play centre for bolts protruding beyond T-Nuts. Use extra washers to eliminate this condition.



**A:** Connect the assembled Glider to the Glider Hangers previously installed. (fig. 33.1)

**B:** Attach 2 Belt Swings to the Bolt-Thru Swing Hangers. (fig. 33.1)

Fig. 33.1

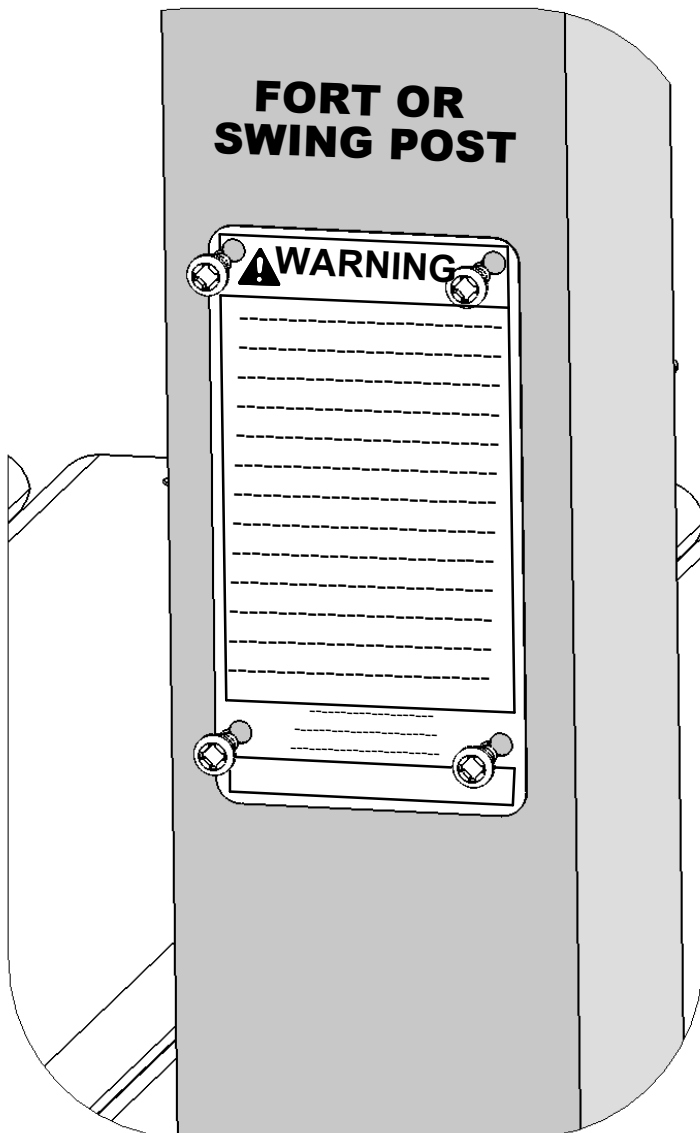


**Other Parts**  
2 x Belt Swings

## Final Step: Attach I.D. Plaque

### ATTACH THIS WARNING & I.D. PLAQUE TO A PROMINENT LOCATION ON YOUR PLAY EQUIPMENT! (Fort or Swing Post)

This provides warnings concerning safety and important contact information. A Tracking Number is provided to allow you to get critical information or order replacement parts for this specific model.



Attach with screws provided to a location on your set that is easily seen and read by a supervising adult.



# KIDKRAFT

## Consumer Registration Card

First Name

Initial

Last Name

Street

Apt. No.

City

State/Province ZIP/Postal Code

Country

Telephone Number

E-Mail Address

Model Name

Model Number

(Box Labels)

Serial Number (on ID Plaque)

Date Purchase

Purchased From

MM / DD / YY

How would you rate this product for quality?

Excellent

Very Good

Average

Below Average

Poor

How would you rate this product for ease of assembly?

Excellent

Very Good

Average

Below Average

Poor

How would you rate our instructions?

Excellent

Very Good

Average

Below Average

Poor

How would you rate the quality of packaging?

Excellent

Very Good

Average

Below Average

Poor

Would you recommend the purchase of our products to friends and family?

Yes

No

Comments:

---



---



---



**MAIL TO:**  
 KidKraft  
 4630 Olin Road  
 Dallas, TX 75244  
 United States  
 Attention: Customer Service

Fill out your registration card online at  
<https://prdregistration.kidkraft.com/>

KidKraft would like to say Thank You for  
 your time and feedback.

CUT ALONG LINE

