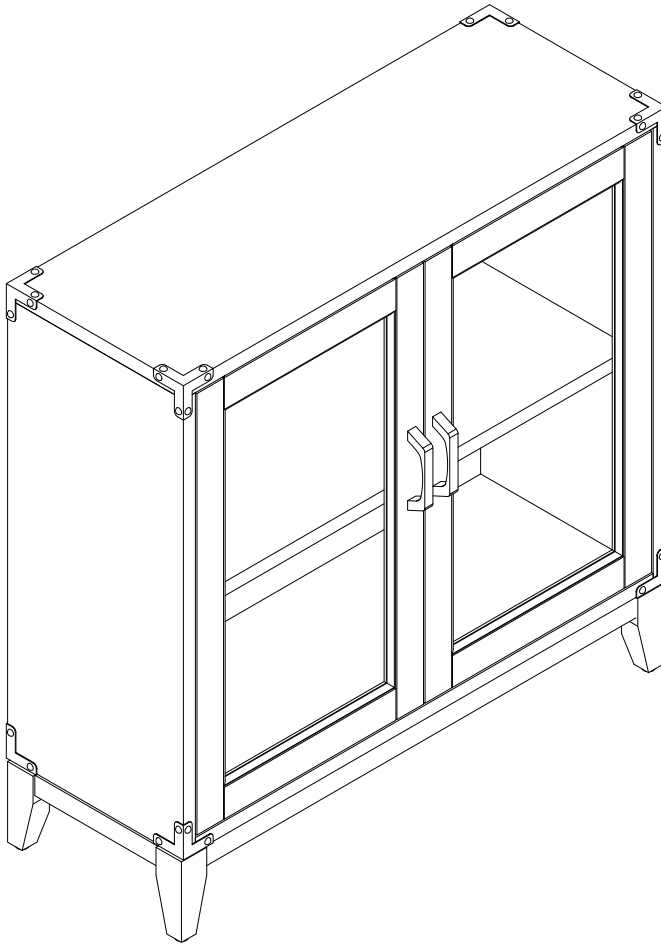
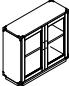
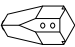



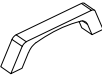




Assembly Instructions, #24010 Beckett Foyer Cabinet

Note:

A packet with complete set of hardware can be found by pulling the red ribbon that's easily visible upon opening the box.

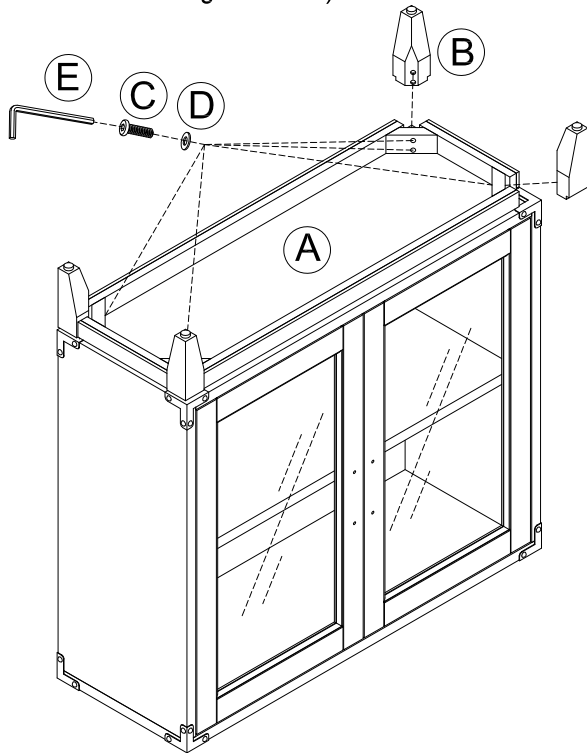


A: Cabinet	
B: (4) Legs	
C: (8) Bolts	
D: (8) Flat Washers	
E: Allen Wrench	
F: (2) Door Pulls	
G: (4) Machine Screws	
H: Anti-tipping kits	

Step 1

1.1) Place the cabinet upside down on a soft surface, fasten 4 legs with bolts and flat washers.

(Do not cut the string on doors).

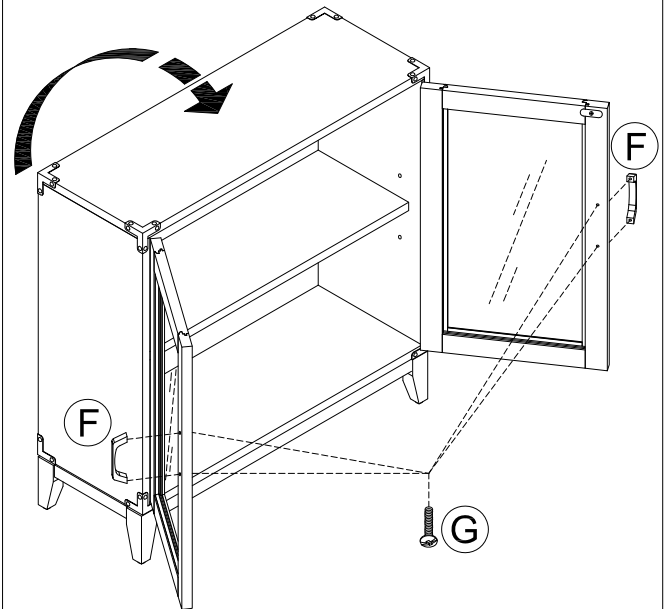


Step 2

2.1) Flip the cabinet upright with doors facing up. Follow the flipping direction shown by the arrow.

2.2) Pull the string slightly apart from the door and cut it.

2.3) Install the door pulls with 4 machine screws.



Step 3

3.1) Fasten one part of the anti-tipping kit into the pre-drilled holes at the back of the assembled piece and another part into the wall. Loop the strap through the holes of the fastened parts and pull its end to tighten.

