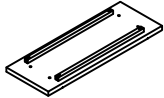
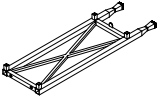
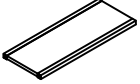







Assembly Instructions, #23032 Hall Stand

Parts List

Item	Parts	Description	Quantity
A		Top Panel	1
B		Leg Frames	2
C		Shelf	1

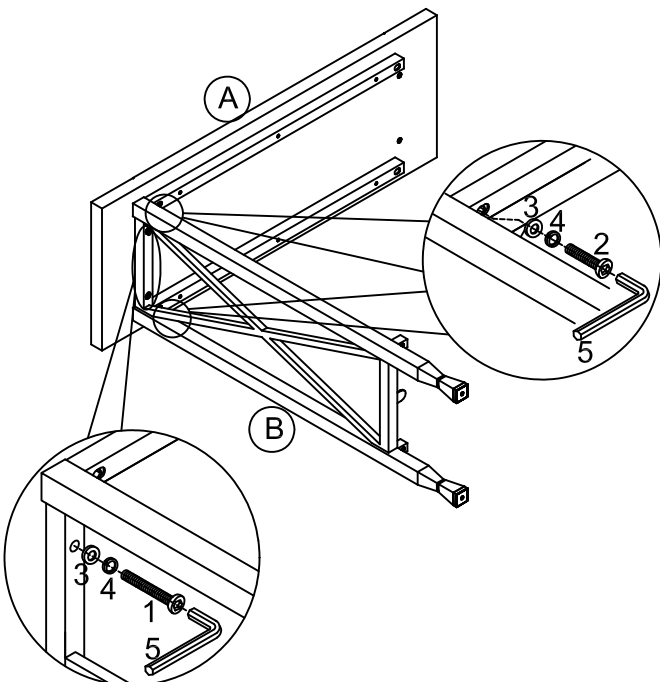
Hardware List

Item	Hardware	Description	Quantity
1		Long Allen Bolts	4
2		Short Allen Bolts	8
3		Flat Washers	12
4		Lock Washers	12
5		Allen Wrench	1

Assembly Steps

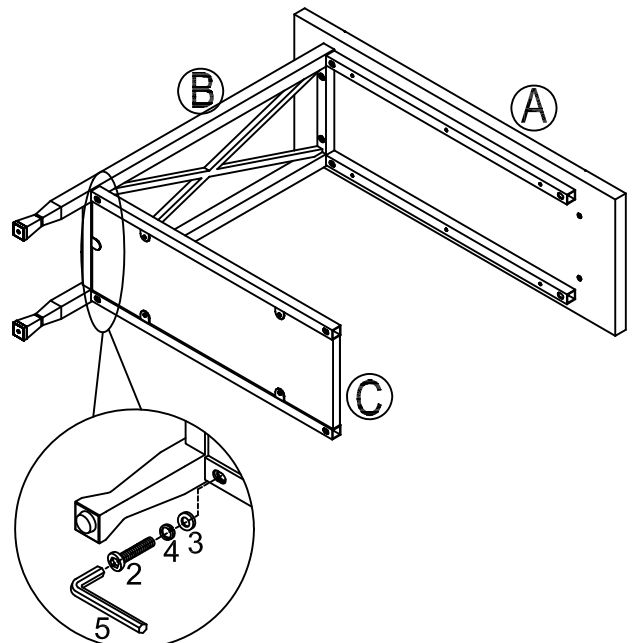
Step 1

- 1.1 Lay the Top Panel (A) down on a soft surface.
- 1.2 Insert one Leg Frame (B) into the Top Panel's (A) tube, fasten with two Long Allen Bolts to the lower face of Top Panel and two short Allen Bolts at the ends of Top Panel's tube. Do not tighten.



Step 2

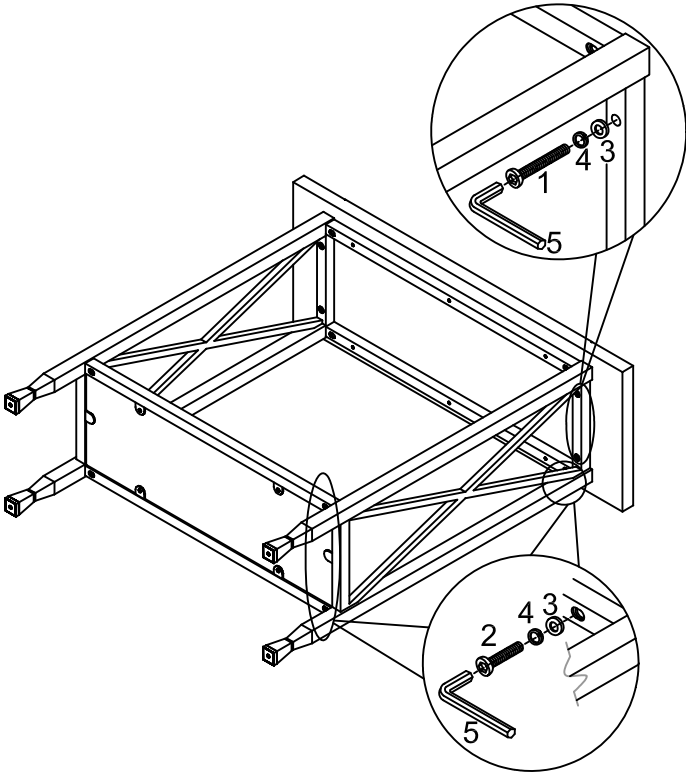
- Insert the protruding part of Leg Frame (B) into the Shelf (C), fasten with two Short Allen Bolts. Do not tighten.



Assembly Steps

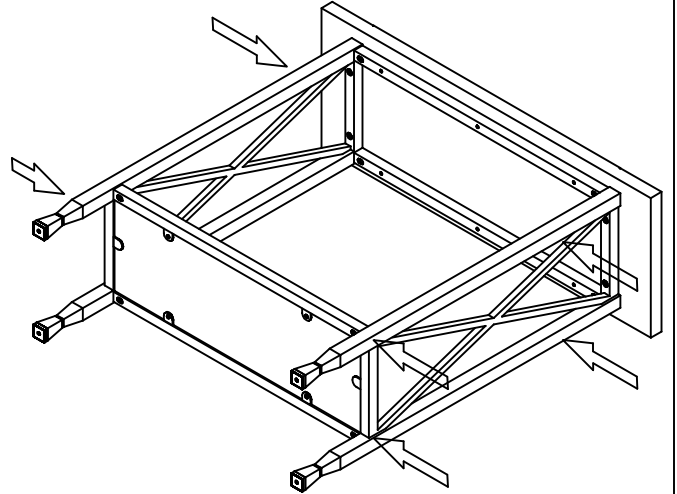
Step 3

Do the same thing on the other leg frame as in steps 1.2 and step 2.



Step 4

Push leg frames onto the shelf and top metal tubes, tighten all the bolts.



Step 5

5.1 Position the assembled piece upright.

5.2 Adjust levelers on the bottom of leg frames if needed.

