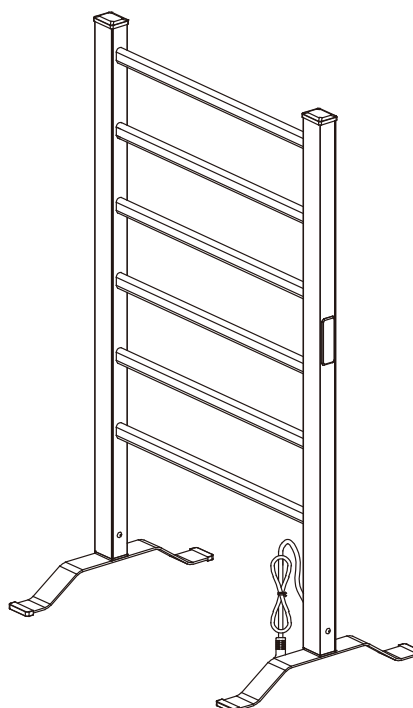
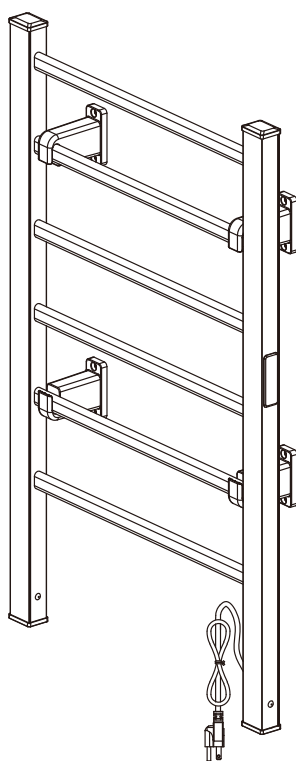




ANZZI®

ITEM: TW-FS103AL
ANZZI ELECTRIC TOWEL WARMER
INSTALLATION & OPERATION MANUAL

V2.0
01/10/2024



DON'T WAIT! REGISTER NOW!

Register your product within 90 days to ensure your product is recognized as an official purchase and is eligible for warranty coverage.

Mail in the completed registry card (Pg. 2) or register online at <https://register.anzzihome.com/register/>.

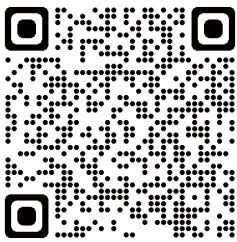


PRODUCT REGISTRATION*

IMPORTANT: Warranty will not be recognized unless product is registered.

We offer two options to register your product.

- 1. Register online at <https://register.anzzihome.com/register/>** or Scan the QR code below. Registering online is fast, secure, and ensures we receive your information.



- 2. Complete, cut out, and mail the registration card below.** Returning this registration card will ensure your product's warranty and allow us to process any warranty claims.

Mail the card to: 5701 NW 35 Avenue, Miami, FL 33142



Product Registration Card

Name..... Address

City.....State..... Zip.....

Phone..... Email.....

Date of Purchase Order or Purchase # SKU or Model #

Installer's Name Phone

I have read the Owner's Manual carefully and understand and agree that any installation, operation or maintenance of the product must be done strictly in accordance with instructions and guidelines contained in the owner's manual and installation guide.

Signature..... Date.....

Need help? For technical support call 305-614-4070 or visit us at www.ANZZI.com

INSTRUCTION

Before using this product. Please read the following instructions carefully and keep this pamphlet for future reference.

About the product:

This product is designed for drying or warming towels and for indoor use only. It is manufactured according to ETL standard and used under the voltage of 120V AC.

Safety Precautions:

1. The supplied power system which is connected to the towel warmer must be used with a over-current protection device.
2. This product is supplied with the relevant, fitted three pin socket and three-wire cable, to avoid any risks or danger it must be properly grounded.
3. Any change of the repair to the damaged internal wires must be done by a qualified technician who is deemed qualified by the industry standard. When any external wire fittings are required, the power must be cut off completely.
4. Any hard scrubbing or scratching on the product surface is strictly prohibited.

Warning:

1. This product must be grounded. If it should malfunction or breakdown, grounding provides a path of least resistance for electric current to reduce the risk of electric shock. This product is equipped with a electric cord having an equipment-grounding conductor and grounding plug. The plug must be inserted into an appropriate outlet that is properly installed and grounded in accordance with all local codes and ordinances.

NOTICE:

Improper connection of the equipment-grounding conductor can result in a risk of electric shock. Check with a qualified electrician or service person if you are in doubt as to whether the outlet is properly grounded. Do not modify the plug provided with the product -- if it will not fit the outlet, have a proper outlet installed by a qualified electrician.

2. If the product is supplied from an extension cord set or electric portable outlet device, then the extension cord set or electric portable outlet device should be positioned so that it is not subject to splashing or excessive moisture.
3. This product is not intended for use by persons (including children) with reduced physical, sensory or mental capabilities, or lack of experience and knowledge, unless they have been given supervision or instruction concerning use of the product by a person responsible for their safety.
4. Children should be supervised to ensure that they do not play with the product.
5. The towel rail is to be installed so that switches and other controls cannot be touched by a person in the bath or shower.



This product can be both wall-mounted and floor-standing, please pay attention to the following:

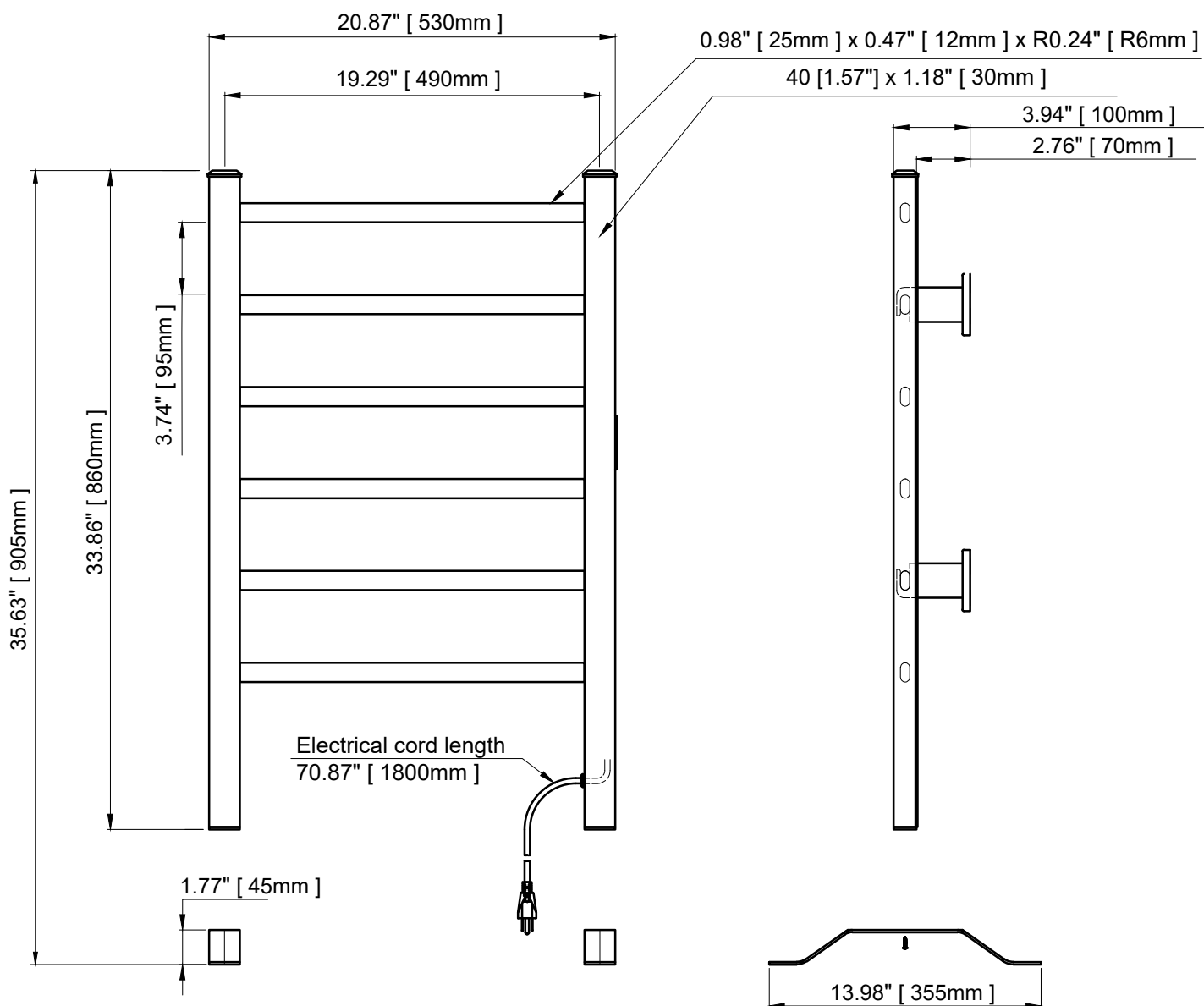
- For wall-mounted: In order to avoid a hazard for very young children, this product should be installed so that the lowest heated rail is at least 600 mm above the floor.
- For floor-standing: This product can be placed on the ground for use, please avoid moving the product during use to prevent the product from tipping.

SPECIFICATIONS

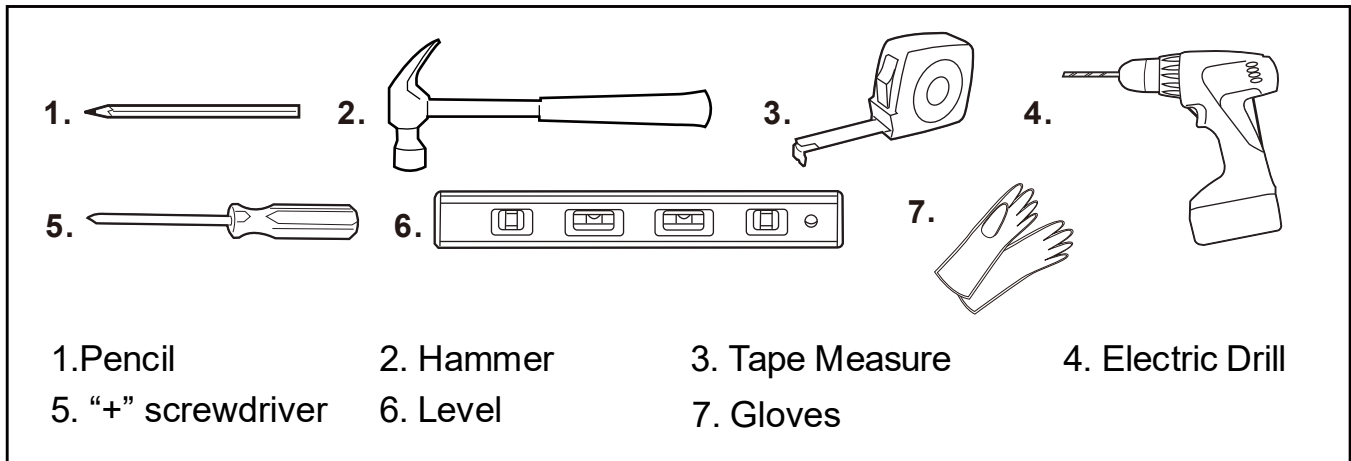
NOTE: Please use the towel warmer under 120 Voltage only.

- Power supply specification: 120V AC / 60HZ
- Power output: 130W
- Max temperature limit: 140°F (60 °C)
- Timer: 2 or 4 hour

PRODUCT SIZE CHART



TOOLS



PARTS LIST

This is 2 in 1 function towel warmer, can be both wall-mounted and floor-standing installation, choose below parts based on need.

For wall-mounted installation



For floor-standing installation

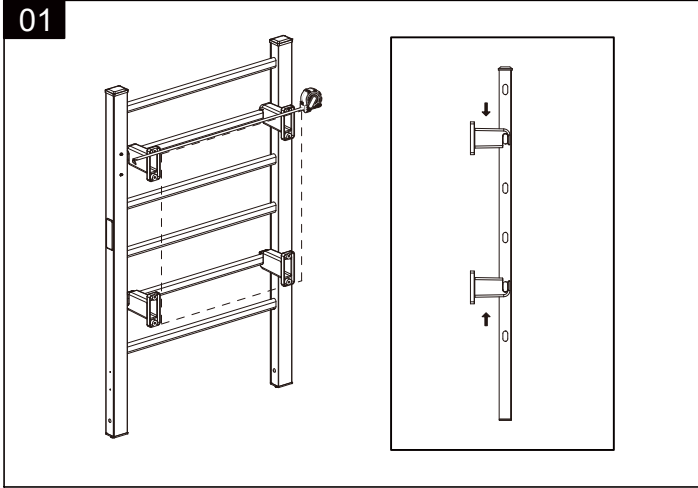


PART	Description	Qty.
1	Hang Wall Component	4
2	Self-tapping Screw(4.8*35)	8
3	Screw Expansion Tube	8
4	Deckboard	2
5	Foot Pad Cover	4
6	Self-tapping Screw(3.8*12)	4
7	Floor Stand	2

INSTALLATION

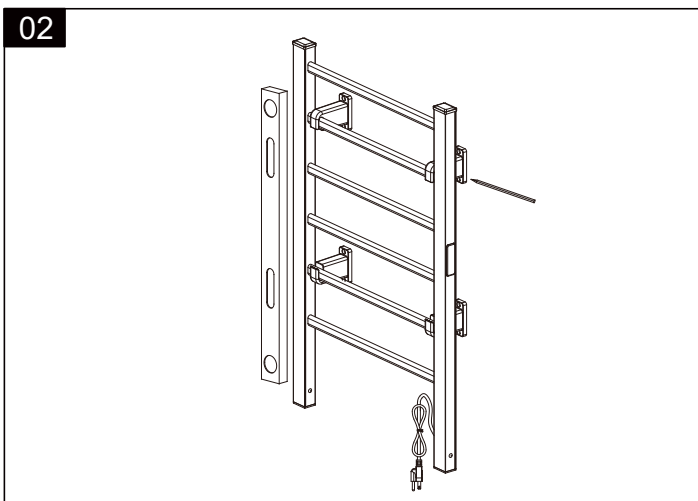
This is 2 in 1 function towel warmer, can be both wall-mounted and floor-standing installation, choose one based on need.

1. Wall-mounted Installation (1 / 2)



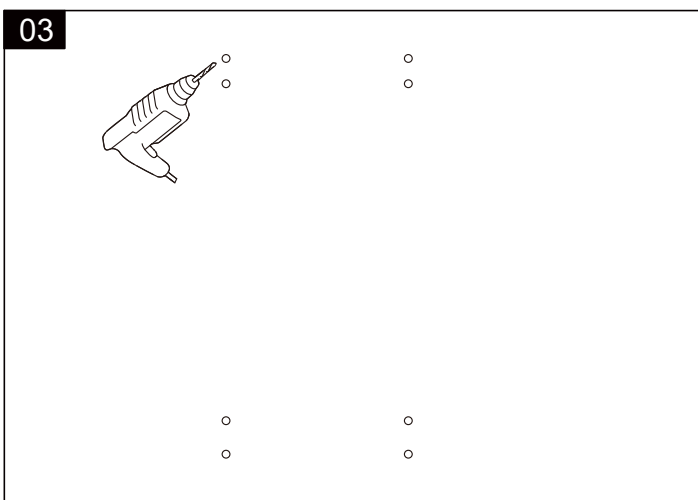
STEP 1:

Install Hang Wall Component [1] on the product with reference to the figure, measure the distance of each hole with a tape measure.



STEP 2:

Place the product to the wall. Confirm the location of Hang Wall Component [1] , and use level and pencil to mark the location. Make sure the bottom of the product at least 23.62" [600mm] off the ground and the product is horizontal.

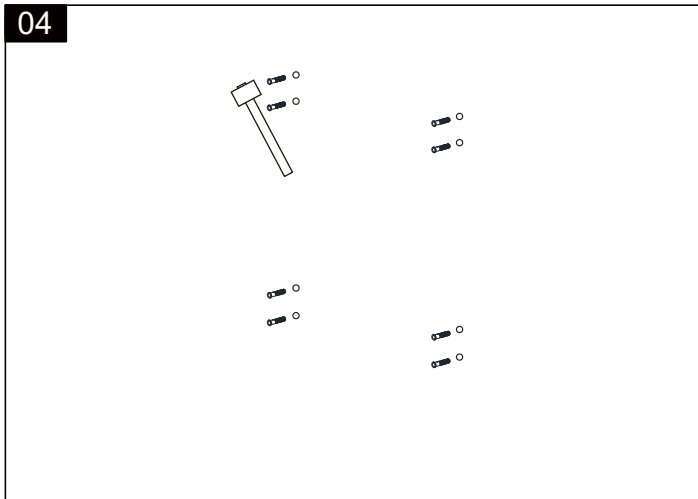


STEP 4:

Use an 8MM drill bit to drill holes at the marked locations.

1. Wall-mounted Installation (2 / 2)

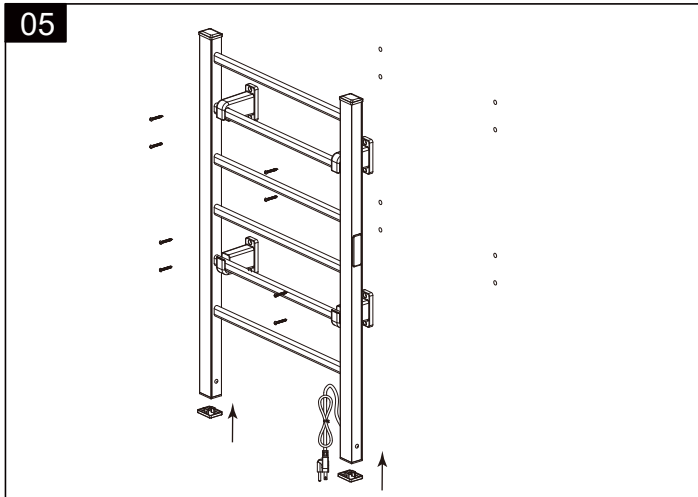
04



STEP 4:

Knock Screw Expansion Tube [3] into the drilled hole.

05

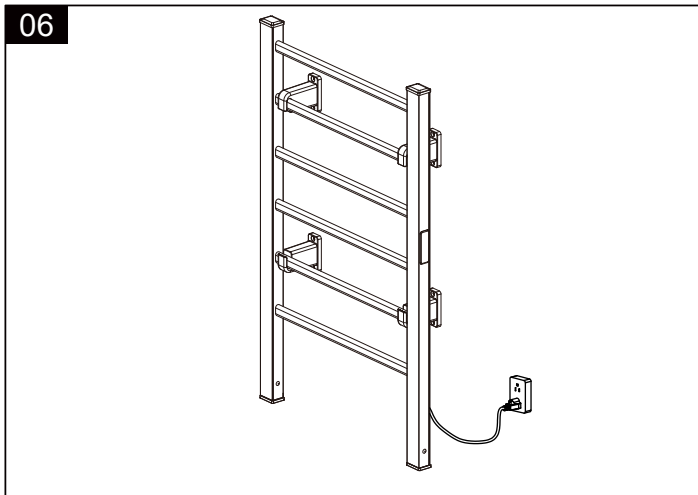


STEP 5:

Use screwdriver fasten the product to the wall with Self-tapping Screw (4.8*35) [2] as shown.

Install Deckboard [4] under the product as shown.

06

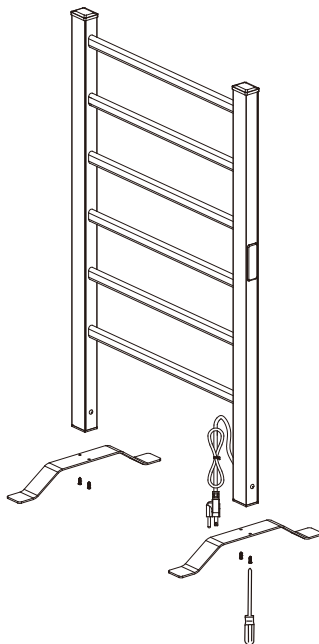


STEP 6:

Plug the electrical cord into a GFCI protected outlet.

2. Floor-standing Installation

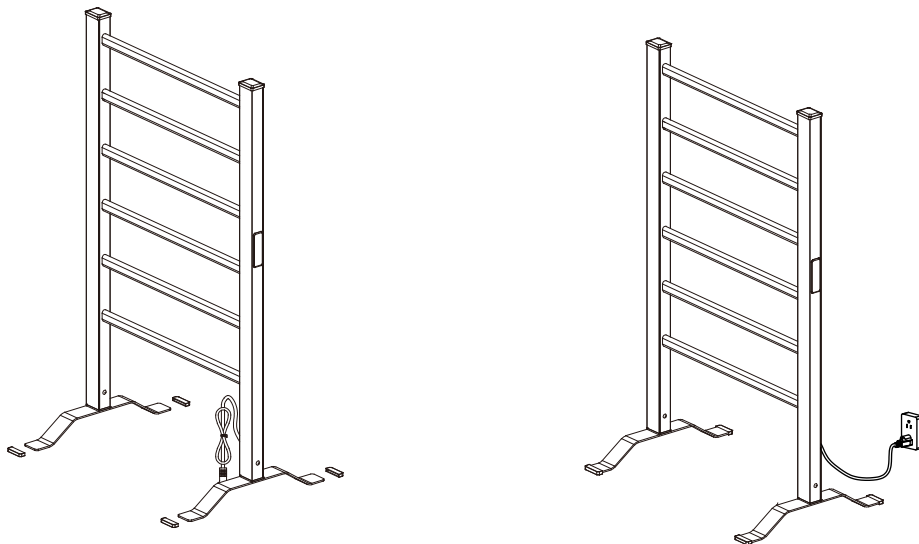
01



STEP 1:

Use screwdriver fasten Self-tapping Screw (3.8*12) [6] and Floor Stand [7] to the product as shown.

02



STEP 2:

As shown in the figure, Foot Pad Cover [5] is placed on both ends of Floor Stand [7], and the product is placed on a flat surface. If the product can stand smoothly, then plug the electrical cord into a GFCI protected outlet.

OPERATING INSTRUCTION

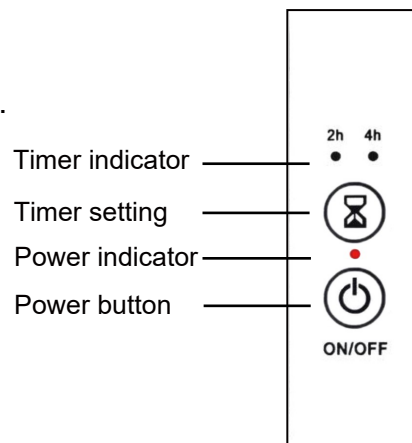
- Power button: Press to turn ON / OFF, when the product turn ON, will keep heating. and max temperature limit is 140°F (60 °C).

- Power indicator: The indicator will turn red / off when the product turn on / off.

- Timer setting: Press to switch timer.

- Timer indicator: When 2h / 4h indicator turn on, the product will countdown 2h / 4h then turn off.

When two indicators are off, the product will keep heating.



CLEANING & MAINTENANCE

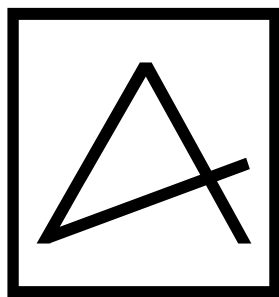
- Towel warmers are designed for heating towels and bathrobes and should not be used for other purposes. The manufacturer or reseller assumes no liability if the device is used in combination with equipment or accessories not sold by the manufacturer.
- This towel warmer is to be only used with fabrics that are water washable. Towels which contain soap or detergent residue may appear to have scorch marks; however, this is simply discoloration of the residue in.
- Never stand, sit or climb on the unit.
- This towel warmer operates at high temperatures that can cause burns. Do not touch surfaces of the towel warmer while the warmer is in operation. The unit is designed to warm up towel and may become very hot.

CLEANING & MAINTENANCE

- Do not allow unsupervised children in the vicinity of the towel warmer; and warn children of hot surfaces. An adult must supervise when the device is used by or near children.
- Unplug the unit with a dry hand and ensure that the electrical circuit breaker is off the main panel before wiring, carrying out a repair or servicing your heated towel warmer.
- Do not place your towel warmer inside a shower, sauna or plunge into the water.
- To ensure continued protection against risk of electric shock, plug the electrical cord into a properly grounded outlet.
- Approved for domestic use only. Do not use outdoors.
- In order to better maintain this product, please wipe it with a wet towel (or sponge).
- It is forbidden to use decontamination powder, abrasive powder and oil, acid and alkaline cleaners, which are harmful to the surface of the product.
- When maintaining or repairing this machine, please turn off the power or unplug it first to ensure safety.

TROUBLESHOOTING

SYMPTOM	RECOMMENED ACTIONS
Thermostat failure	Power off for first step and restart.Please contact the after-sales service if the problem still cannot be sloved.
The electrical cord is plugged in and tripped	Ask a professional to check the socket-related lines to troubleshoot. Please contact the after-sales service if the problem still cannot be sloved.
Not be heated up after 1 hour	Please contact the after-sales service directly when the above problems occured.
Electric shock on product	Please contact the after-sales service directly when the above problems occured.
Thermostat broken	Please contact the after-sales service directly when the above problems occured.



ANZZI®