

SINCE 1839

BRINLY

SINCE 1839

BRINLY

OWNER'S MANUAL

LAWN SWEEPER

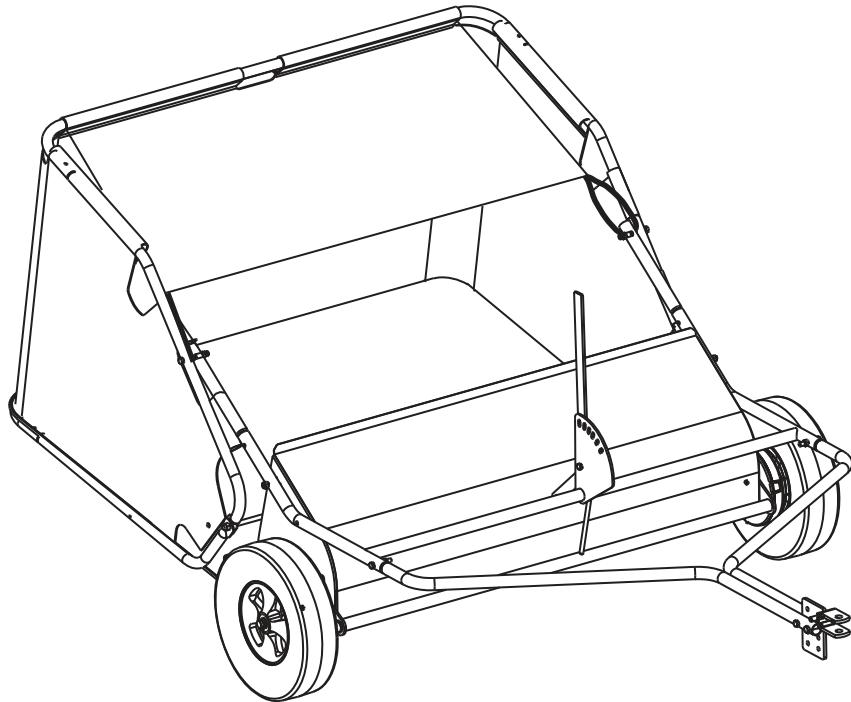
MODEL:

STS-42BHDK

US PATENT 6,640,532

- Assembly
- Installation
- Operation
- Repair Parts

For use with Riders and
Lawn/Garden Tractors



Visit us on the web!
www.brinly.com

Important: This manual contains information for the safety of persons and property. Read it carefully before assembly and operation of the equipment!

1018189 Rev. C

INTRODUCTION AND SAFETY

CONGRATULATIONS on the purchase of your new Brinly-Hardy Sweeper! Your Sweeper has been designed, engineered and manufactured to give you the best possible dependability and performance.

Should you experience any problem you cannot easily remedy, please do not hesitate to contact our knowledgeable customer service department toll-free at 1-877-728-8224. We have competent, well trained technicians to help you with the assembly and use of your Sweeper.



CUSTOMER RESPONSIBILITIES

- Please read & retain this manual. The instructions will enable to assemble and maintain your Sweeper properly.
- Please carefully read and observe the SAFETY SECTION of this manual.
- Follow a regular schedule in maintaining and caring for your Brinly-Hardy Sweeper.

TABLE OF CONTENTS

Safety	2-3
Component View and Reference List	4-5
Assembly	6-14
Operation	15-18
Service	19
Limited Warranty	20

SAFETY LABELS AND NOTATION



This symbol will help to point out important safety precautions throughout this manual. It means: ATTENTION! BECOME ALERT! Your safety is involved.



B-7063
(To Scale)

SPECIFICATIONS

Maximum Towing Speed	5 mph
Hamper Capacity	20 cu.ft.
Maximum Hamper Weight	120 lbs.
Empty Weight with Dethatcher Attachment	102 lbs.
Maximum Towed Weight with Dethatcher Attachment	222 lbs.

The safety labels shown in this section are placed in important areas on your product to draw attention to potential safety hazards.

On your product safety labels, the words DANGER, WARNING and CAUTION are used with the safety-alert symbol. DANGER identifies the most serious hazards.

The operator's manual also explains any potential safety hazards whenever necessary in special safety messages that are identified with the word, CAUTION, and the safety-alert symbol.

HAMPER PULL ROPE



While in use, the pull rope can be under some strong tension. To prevent any potential injury or digital amputation, please be aware of the following:



- **DO NOT** wrap the pull rope around your wrists, fingers or ANY body parts.
- **DO NOT** use the pull rope while the towing vehicle is moving.
- Attach the pull rope as directed on page 14 of this manual.
- Avoid overfilling the hamper. Heavy loads are more difficult to dump.
- Park towing vehicle and set the parking brake before dumping material.
- Use the handle that has been provided.
- **AFTER DUMPING THE HAMPER:** Always make sure to fully secure the pull handle to the back of the towing vehicle using the Hook and Loop tape.

REQUIRED TOOLS FOR ASSEMBLY



- 1/2" Wrench (2)
- 9/16" Wrench (2)
- Pliers
- Gloves
- Safety Glasses

CAUTION SHOULD BE TAKEN WHEN TOWING AND/OR USING ANY ATTACHMENT.

This attachment combined with the weight distribution, turning radius, and speed of towing vehicle can result in severe injury or death to operator, damage to towing vehicle, and/or attachment if not used properly. Follow all towing safety precautions noted in the towing vehicle owner's manual, including the following precautions:

GENERAL NOTES**(Operation)**

- Ensure the combined weight of the towing vehicle (tow vehicle weight + operator weight) is greater than the maximum towed weight of attachment (empty attachment weight + weight of load).
- Do not exceed maximum towing capacity of towing vehicle.
- Do not exceed the maximum drawbar pull rating of the towing vehicle. Drawbar pull is the horizontal force required to pull the attachment (including weight of load).
- Only tow this product in the vehicle's tow mode/speed setting or less than 5 mph. Do not exceed 5 mph.
- Towing speed should always be slow enough to maintain control. Travel slowly and use caution when traveling over rough terrain. Avoid holes, rocks and roots.
- Slow down before you turn and do not turn sharply.
- Use wide turning angles to ensure the attachment follows the path of the towing vehicle.
- Do not use attachment on steep slopes. A heavy load could cause loss of control or overturn attachment and towing vehicle. Additional weights may need to be added to your vehicle; check with towing vehicle manufacturer for recommendations.
- Reduce towed weight when operating on slopes.
- Keep all movement on slopes slow and gradual. Do not make sudden changes in speed, directions, or turning.
- If you start and stop suddenly on hills, you may lose steering control or the towing vehicle may tip. Do not start or stop suddenly when going uphill or downhill. Avoid uphill starts.
- Slow down and use extra care on hillsides. Turf conditions can affect vehicle stability. Use extreme caution while operating near drop-offs.
- Do not drive close to creeks, ditches and public highways.
- Watch out for traffic when crossing near roadways.
- Use care when loading or unloading the vehicle into a trailer or truck.
- The attachment can obstruct the view to the rear. Use extra care when operating in reverse.
- When reversing, carefully back-up straight to avoid jackknifing. Do not allow towing vehicle wheels to contact attachment draw bar. Damage could result.
- Stop on level ground, disengage drives, set the parking brake, and shut off engine before leaving the operator's position for any reason including emptying the attachment.
- Use this attachment for intended purpose only.
- This attachment is intended for use in lawn care and home applications. Do not tow behind a vehicle or on a highway or in any high speed applications. Do not tow at speeds higher than maximum recommended towing speed.
- Do not tow this product behind a motor vehicle such as a car or truck.
- Always wear substantial footwear. Do not wear loose fitting clothing that can get caught in moving parts.
- Keep your eyes and mind on your towing vehicle, attachment and area being covered. Do not let other interests distract you.

- Stay alert for holes and other hidden hazards in the terrain.
- Keep the towing vehicle and attachment in good operating condition and keep safety devices in place.
- The towing vehicle and attachment should be stopped and inspected for damage after striking a foreign object. Any damage should be repaired before restarting and operating the equipment.
- Keep all parts in good condition and properly installed. Fix damaged parts immediately. Replace worn or broken parts. Replace all worn or damaged safety and instruction decals. Keep all nuts, bolts and screws tight.
- Do not modify the attachment or safety devices. Unauthorized modifications to the towing vehicle or attachment may impair its function, safety and void the warranty.

TOWING VEHICLE AND TOWING SAFELY

- Know your towing vehicle controls and how to stop safely. **READ YOUR TOWING VEHICLE OWNER'S MANUAL** before operating.
- Check the towing vehicle brake action before you operate. Adjust or service brakes as necessary.
- Stopping distance increases with speed and weight of towed load. Travel slowly and allow extra time and distance to stop.
- Use only approved hitches. Tow this attachment only with a towing vehicle that has a hitch designed for towing. Do not connect this attachment except at the approved hitch point.
- Follow the tow vehicle manufacturer's recommendations for weight limits for towed equipment and towing on slopes. Use counterweights or wheel weights as described in the towing vehicle operator's manual.
- Do not shift to neutral and coast downhill.
- Do not allow children to operate the towing vehicle. Do not allow adults to operate the towing vehicle without proper instruction or without having read the owner's manual.

PROTECT THOSE AROUND YOU

- Before you operate any feature of this attachment or towing vehicle, observe your surroundings and look for bystanders.
- Keep children, bystanders and pets at a safe distance away while operating this or any attachment.
- Use care when reversing. Before you back up, look carefully behind for bystanders.

KEEP RIDERS OFF TOWED ATTACHMENT AND TOWING VEHICLE

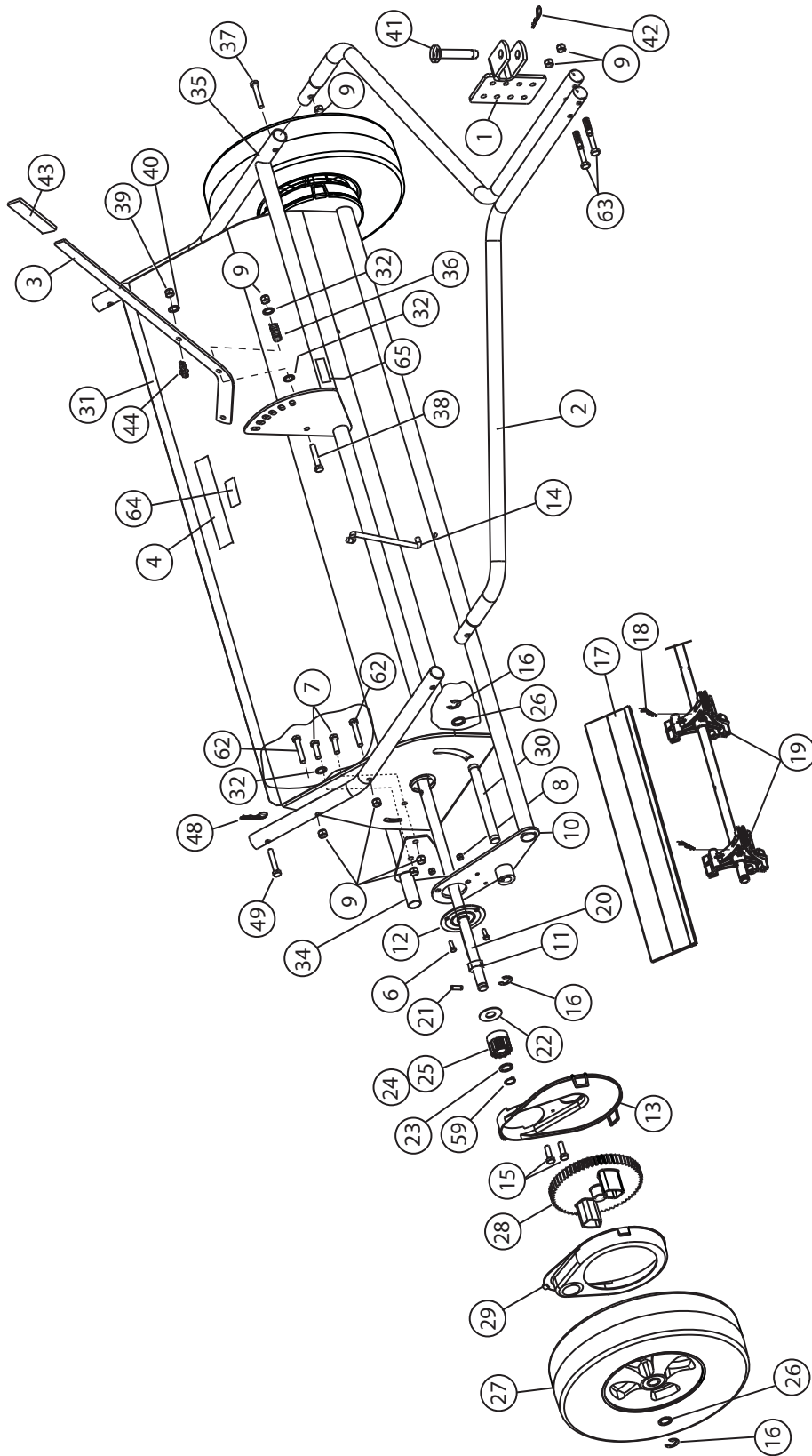
- Do not carry passengers.
- Do not let anyone, especially children, ride in/on this attachment, the towing vehicle or hitch bracket. Riders are subject to injury such as being struck by foreign object and/or being thrown off during sudden starts, stops and turns.

Riders may also obstruct the operator's view resulting in this attachment being operated in an unsafe manner.

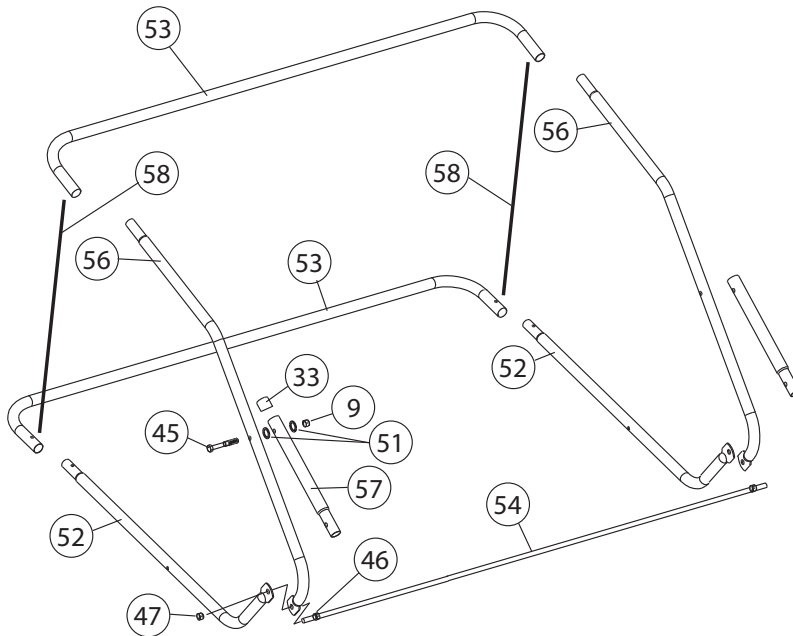
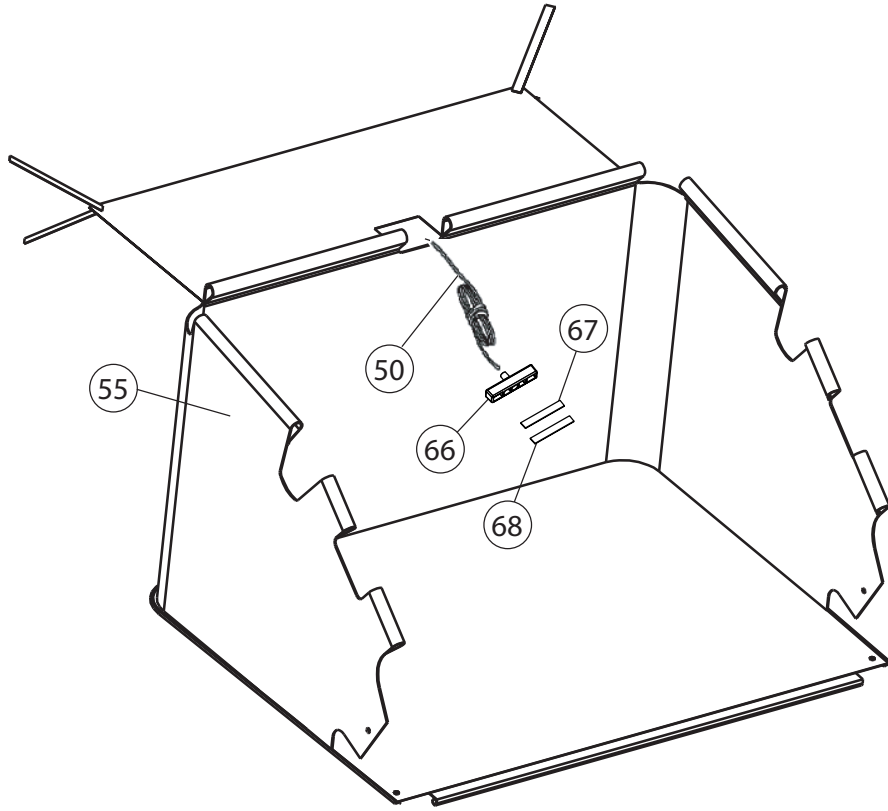
COMPONENT VIEW AND REFERENCE LIST

REF.	PART NO.	DESCRIPTION	QTY.	REF.	PART NO.	DESCRIPTION	QTY.
1	R-2251-10	Hitch Clevis Assembly	1	46	30M1200P	Hex Nut, 3/8"	2
2	R-2254-10	Tow Tube	2	47	B-1675P	Lock Nut, 3/8"	2
3	R-2270-10	Lift Handle	1	48	B-983	Hairpin Cotter, Small	2
4	1018198	Logo Decal	1	49	R-2303	Clevis Pin, 5/16" x 1-3/8"	2
6	11M0808P	Carriage Bolt, 1/4" x 1/2"	6	50	R-2304	Hamper Pull Rope	1
7	2M1012P	Hex Bolt, 5/16" x 3/4"	4	51	R-618	Special Washer, 5/16"	4
8	B-1673P	Hex Lock Nut, 1/4"	6	52	R-2443-10	Lower Tube	2
9	B-4786	Nylon Insert Lock Nut, 5/16"	15	53	R-2194-10	Rear Tube	2
10	R-2415-10	Lower Pivot Assembly	1	54	R-2195	Hamper Stop Rod	1
11	R-2288	Bearing Assembly	2	55	R-2426	Hamper/Wind Screen	1
12	R-2289	Bearing Retainer	2	56	R-2300-10	Hamper Side Tube, Upper	2
13	R-2293-1	Inner Dust Shield	2	57	R-2301-10	Hamper Mount Tube	2
14	R-2416	Lift Link	1	58	R-2307	Hamper Spring Rod	2
15	R-2321	Self-Taping Screw #12x3/8"	4	59	R-2320	External Retaining Ring, 5/8"	2
16	F-577	"E" Ring, 5/8"	6	62	11M1024P	Carriage Bolt, 5/16"x 1-1/2"	4
17	R-2205	Brush Section	6	63	2M1036P	Hex Bolt, 5/16" x 2-1/4"	2
18	50M0624P	Cotter Pin, 3/16" x 1-1/2"	4	64	B-7063	Caution Label	1
19	R-2281	Brush Holder	4	65	L-1744	Serial Number Label	1
20	R-2259-01	Brush Axle	1	66	1008997	Pull Handle	1
21	R-2261	Dowel Pin	2	67	1009049	Hook Tape	1
22	R-2262	Washer, 5/8" I.D. x 1-3/8"	2	68	1017744	Loop Tape	1
23	R-2263	Washer, 5/8" I.D. x 7/8"	2				
24	R-2485LH	Drive Pinion, Left Hand	1				
25	R-2485RH	Drive Pinion, Right Hand	1				
26	B-4768	5/8" Machinery Bushing	4				
27	R-2265-TT	Wheel Asm, Pneumatic	2				
28	R-2280	Drive Gear, 60 Tooth	2				
29	R-2293-2	Outer Gear Cover	2				
30	R-2306-01	Wheel Axle	2				
31	R-2413-10	Brush Housing Assembly	1				
32	45M1111P	5/16" Flat Washer	4				
33	B-4107	Vinyl Cap, 1" dia.	2				
34	R-2296-10	Hamper Stop Assembly	1				
35	R-2290-10	Upper Frame Assembly	1				
36	B-3805	Spring	1				
37	2M1024P	Hex Bolt, 5/16" x 1-1/2"	2				
38	2M1028P	Hex Bolt, 5/16" x 1-3/4"	1				
39	30M1000P	Hex Nut, 5/16"	1				
40	40M1000P	Lock Washer, 5/16"	1				
41	B-3861	Hitch Pin, 1/2" dia.	1				
42	D-146P	Hairpin Cotter, Large	1				
43	R-1882	Flat Grip	1				
44	B-3307-S	Lock Pin	1				
45	2M1040P	Hex Bolt, 5/16" x 2-1/2"	2				

COMPONENT VIEW AND REFERENCE LIST



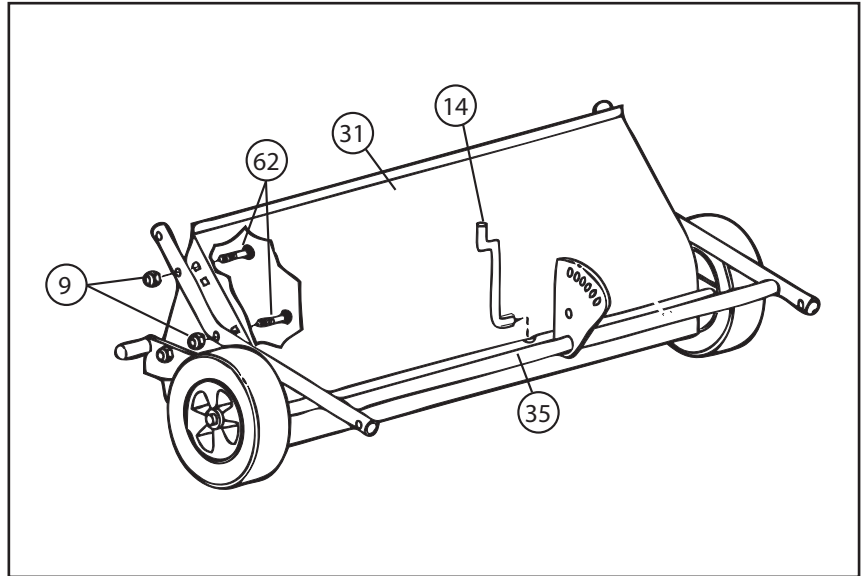
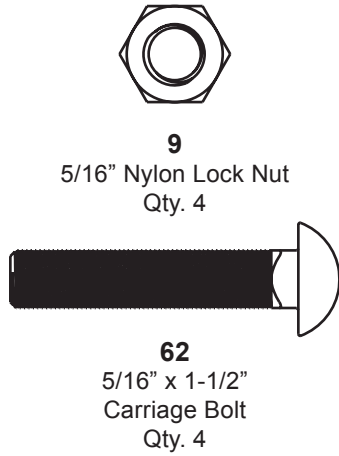
ASSEMBLY



ASSEMBLY

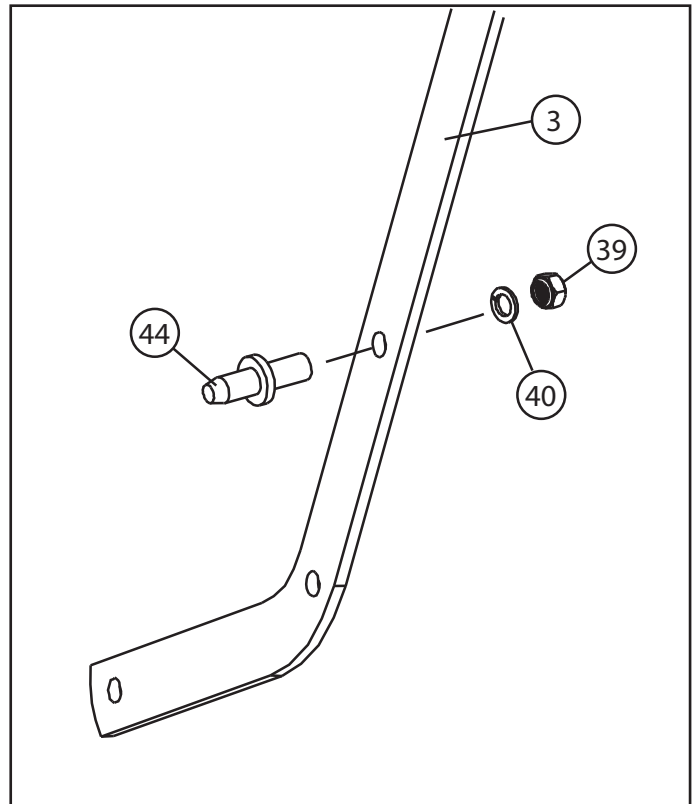
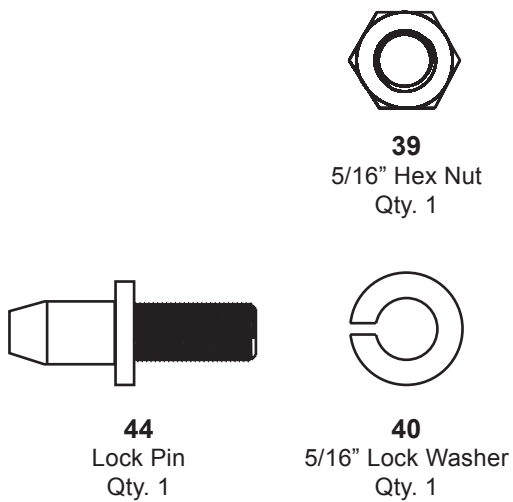
STEP 1

- a. Attach upper frame assembly (35) to brush housing assembly (31).
- b. Assemble lift link (14) as shown.



STEP 2

- a. Preassemble the lock pin (44) to the lift handle (3).

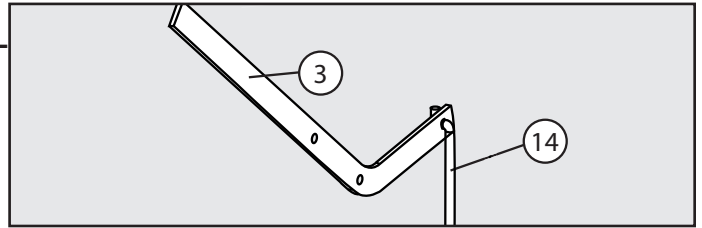


ASSEMBLY

STEP 2-A

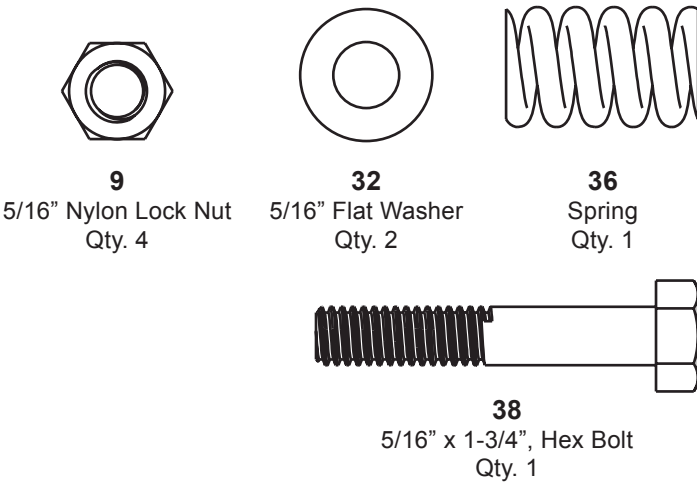
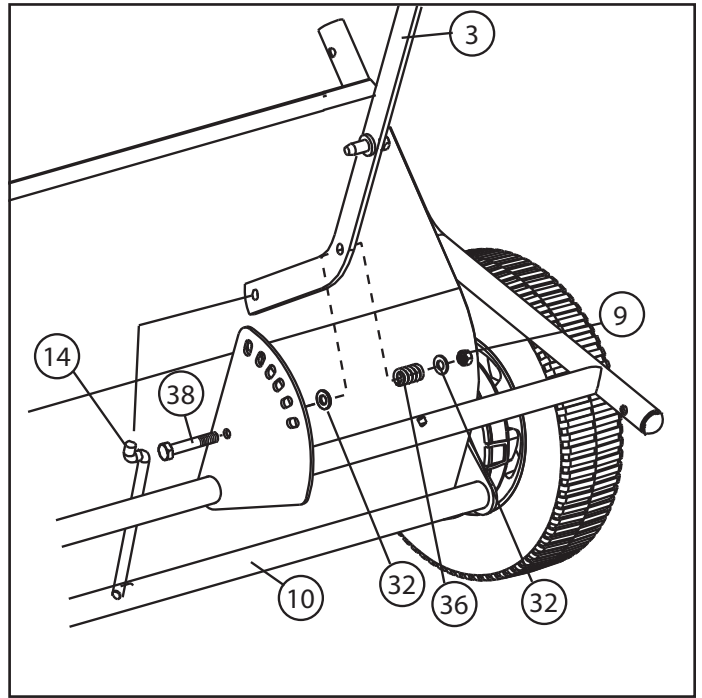
- a) Assemble Lift Handle (3) to Lift Link (14).

Note orientation of Lift Handle (3) to Lift Link (14) illustrated here.



- b) Install Hex Bolt (38) as shown. Add Washer (32) and install handle in middle hole. NOTE: It may be necessary to put downward pressure on the Lower Pivot Assembly (10) to line up the holes.

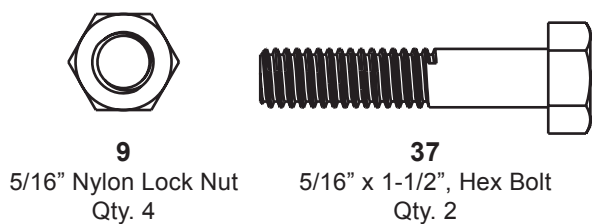
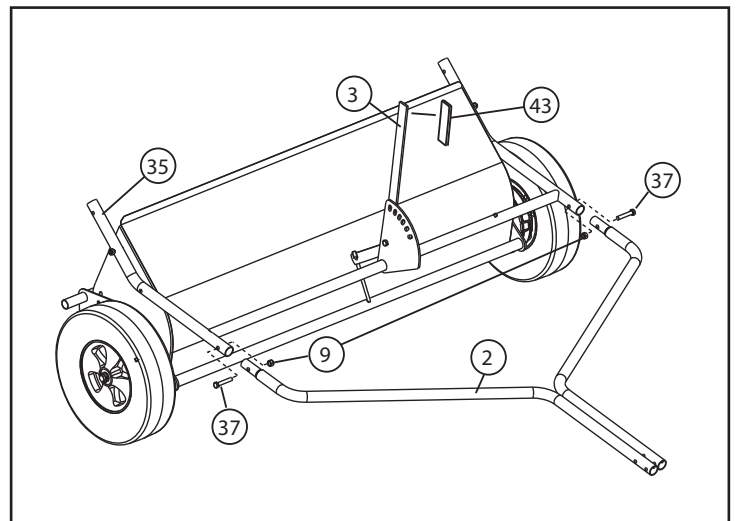
- c) Complete the assembly by adding the Spring (36), Washer (32), and Locknut (9). Tighten lock nut, then back off as necessary for proper operation.



STEP 3

- a. Install the Flat Grip (43) to the Lift Handle (3)

- b. Install the Tow Tubes (2) to the Upper Frame Assembly (35).



ASSEMBLY

STEP 4

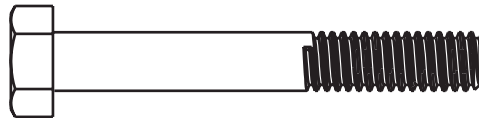
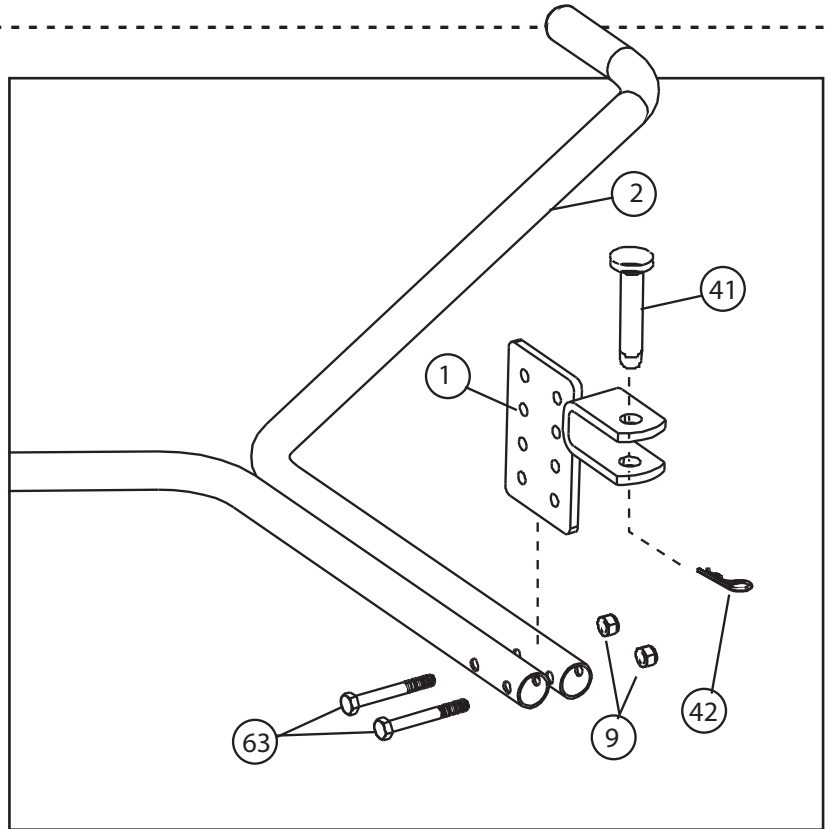
ATTACHING CLEVIS

Attach the Hitch Clevis Assembly (1) to the Tow Tubes (2), as shown.

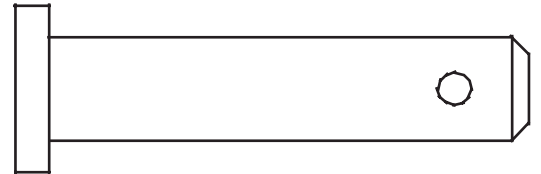
- Install Hex Bolts (63) through Tow Tubes (2) and Hitch Clevis Assembly (1), as shown.
- Install Lock Nuts (9) to Hex Bolts.



DO NOT TIGHTEN FASTENERS AT THIS TIME.



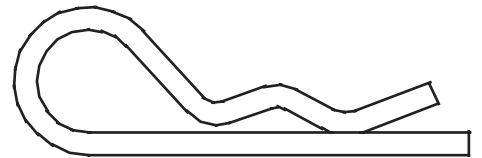
63
5/16" x 2-1/4", Hex Bolt
Qty. 2



41
Hitch Pin, 1/2" x 2-1/2"
Qty. 1



9
5/16" Nylon Lock Nut
Qty. 4

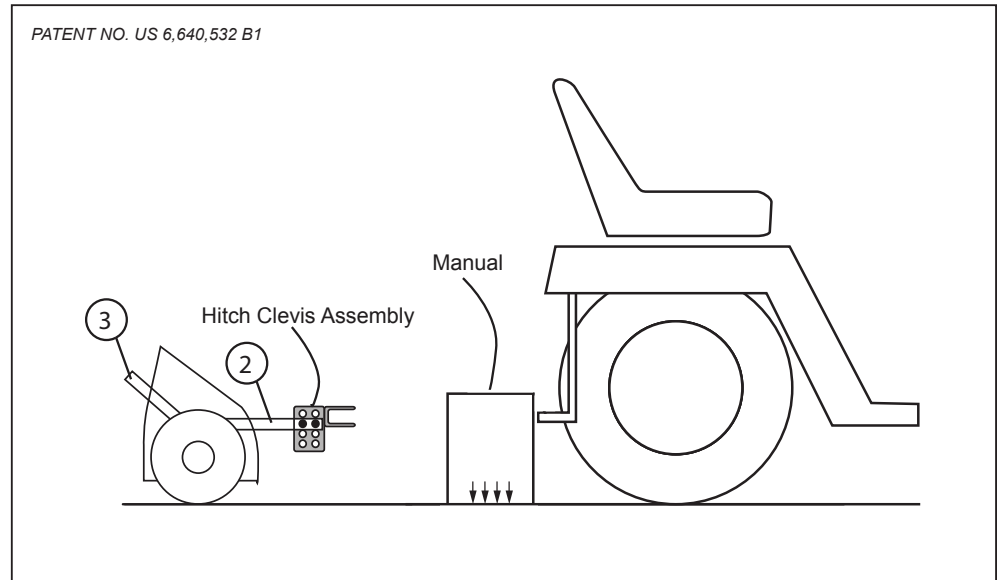


42
Hairpin Cotter, Large
Qty. 1

ASSEMBLY

STEP 5

PATENT NO. US 6,640,532 B1

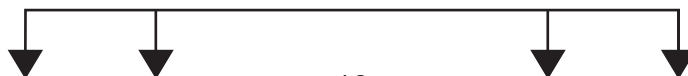


NOTE:

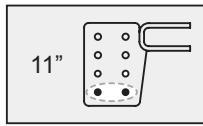
Step 4 is for attaching the Hitch Clevis Assembly (1) to the Tow Tubes (2). When complete, the Tow Tubes (2) will be approximately level with the pavement:

- Using this page, set the manual on the floor and measure your hitch height as shown in illustration.
- Position the Hitch Clevis Assembly (1) between the Tow Tubes (2) for the proper height.
- Attach the Hitch Clevis Assembly (1) to the Tow Tubes (2) as shown in Step 4.
- Attach the sweeper to the tractor.
- Adjust the Lift Handle (3) to position the sweeper brushes to sweep at the same height as the mower blades.
- Recheck the Tow Tubes (2) for level. The tubes should be level or slightly higher at sweeper. Readjust clevis if necessary.
- When the proper Hitch Clevis (1) level is achieved, securely tighten the Lock Nuts (9) installed in Step 4.

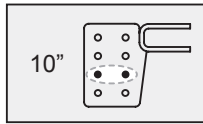
PLACE THIS EDGE ON GROUND.



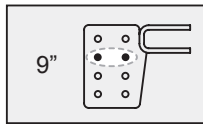
11"
(top of page)



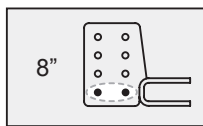
10"



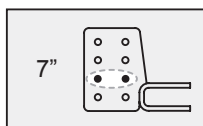
9"



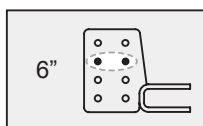
8"



7"



6"



5"

4"

3"

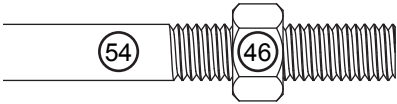
2"

1"

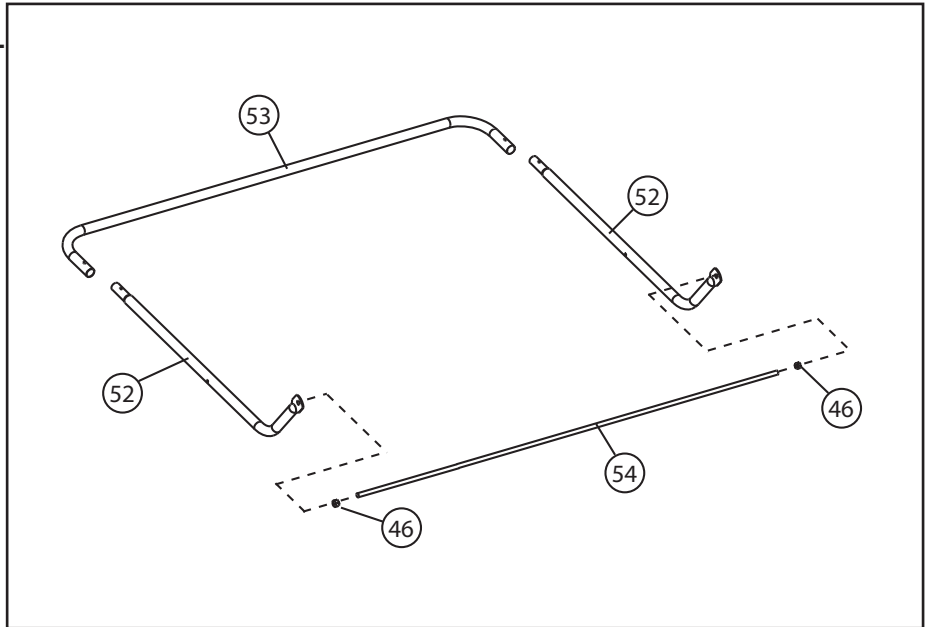
ASSEMBLY

STEP 6

- Assemble Rear Tube (53) with holes up to Lower Tube (52).
- Using the hardware in Panel E, assemble one 3/8" Hex Nut (46) on each end of the Hamper Stop Rod (54) until it is approximately in the center of the threads.

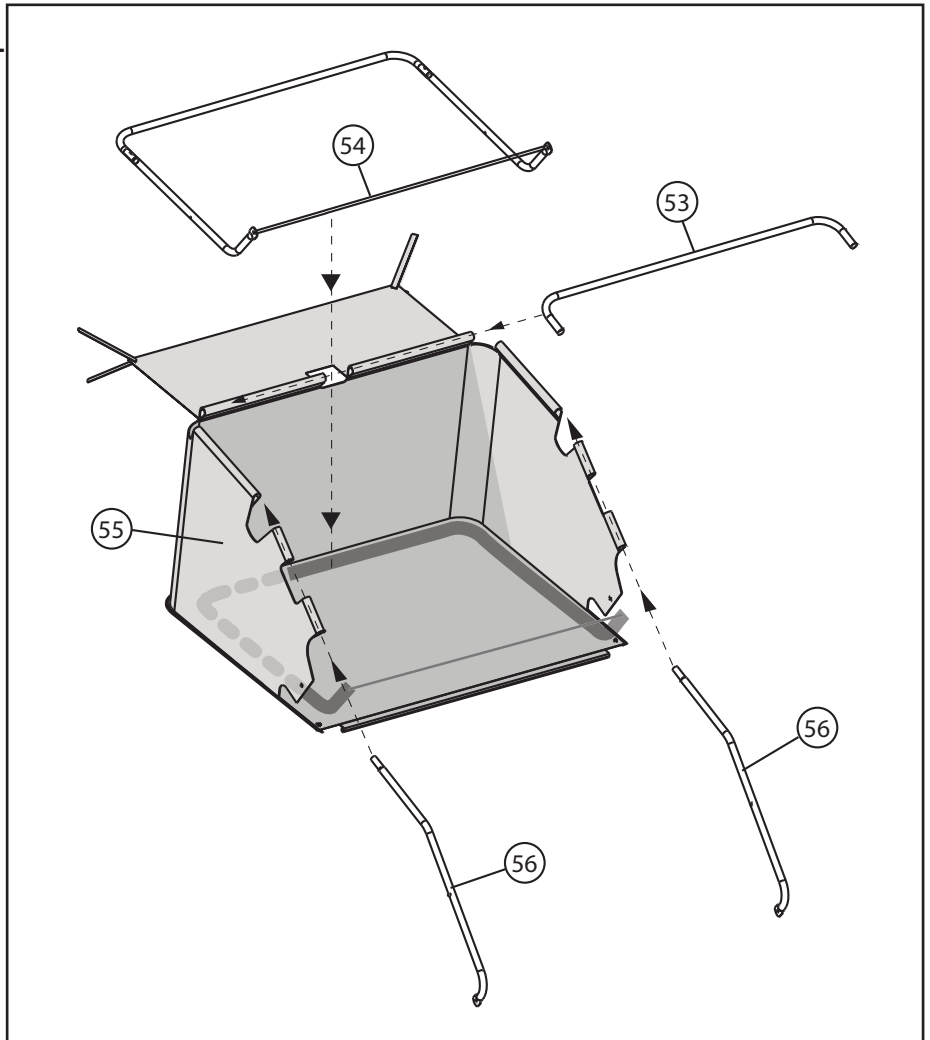


Assemble each end of the Hamper Stop Rod (54) through the holes in the Lower Side Tubes (52).



STEP 7

- Lower the assembly in Step 6 into the bottom of hamper (55).
- Assemble the Rear Tube (53) with the holes down as shown. Slide the Rear Tube (53) through holes in hamper flaps.
- Assemble the Upper Hamper Side Tubes (56) through holes in hamper flaps into the Rear Tube (53) and onto the Hamper Stop Rod (54).

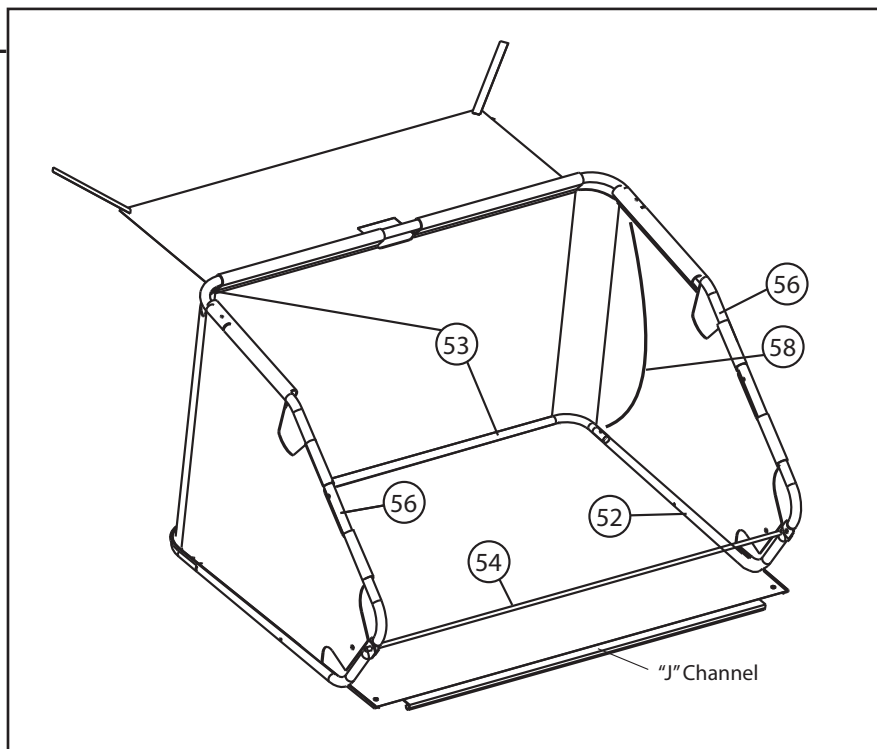


ASSEMBLY

STEP 8

- Locate and align the holes in the upper Rear Tube (53) with the side tubes (56). Locate and align the holes in the lower Rear Tube (53) with the Lower Tube (52).
- Stand in the bottom of the hopper. Insert the end of the Spring Rod (58) into the lower holes aligned in step a. Pull up on the upper Rear Tube (53) and insert the other end of the Spring Rod (58) into the upper holes.

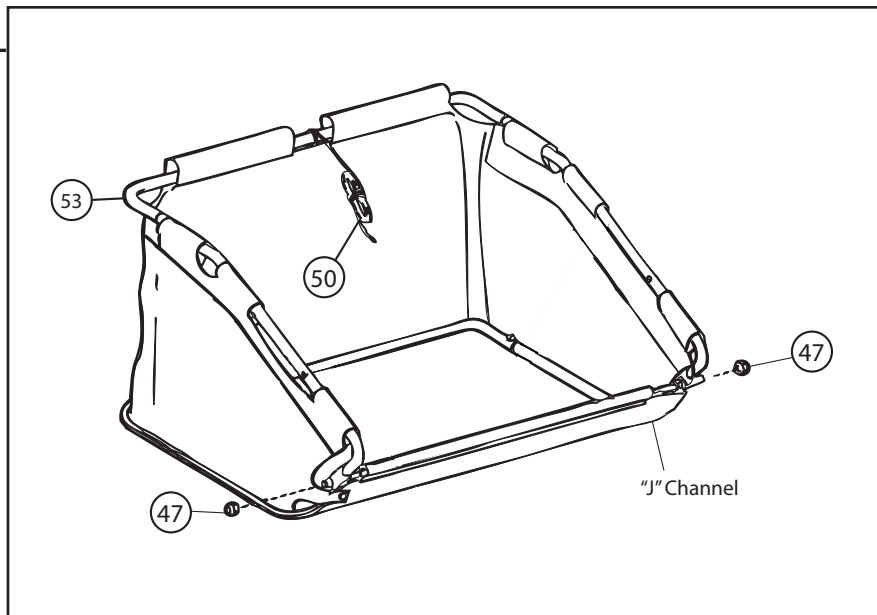
Please note that this step must be done with eye protection (safety glasses) and gloves as the spring rod requires some force to install. After installation the spring rod will be slightly bent.



STEP 9

- Attach Hamper Pull Rope (50) to the middle of Rear Tube (53).
- Using the hardware in Panel F, assemble one 3/8" Lock Nut (47) on each end of the Hamper Stop Rod (54). Tighten the Lock Nut (47) until the Hamper Stop Rod (54) is flush with the top of the Lock Nut (47).

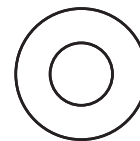
Note: Hold the Hamper Stop Rod (54) with Pliers while tightening the Lock Nuts (47). Upper and Lower Side Tubes should be trapped between the Hex Nut (46) and Lock Nut (47) on the Hamper Stop Rod (54) but still loose enough to pivot freely. If the tubes do not pivot freely, loosen the Hex Nut (46).



9
5/16" Nylon Lock Nut
Qty. 2



47
3/8" Hex Lock Nut
Qty. 2



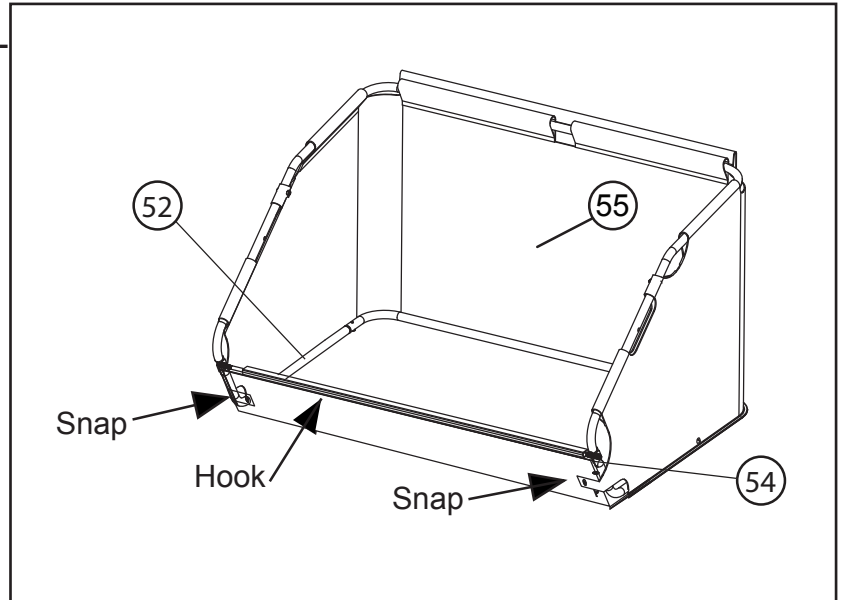
51
5/16" Flat Washer
Qty. 4

ASSEMBLY

STEP 10

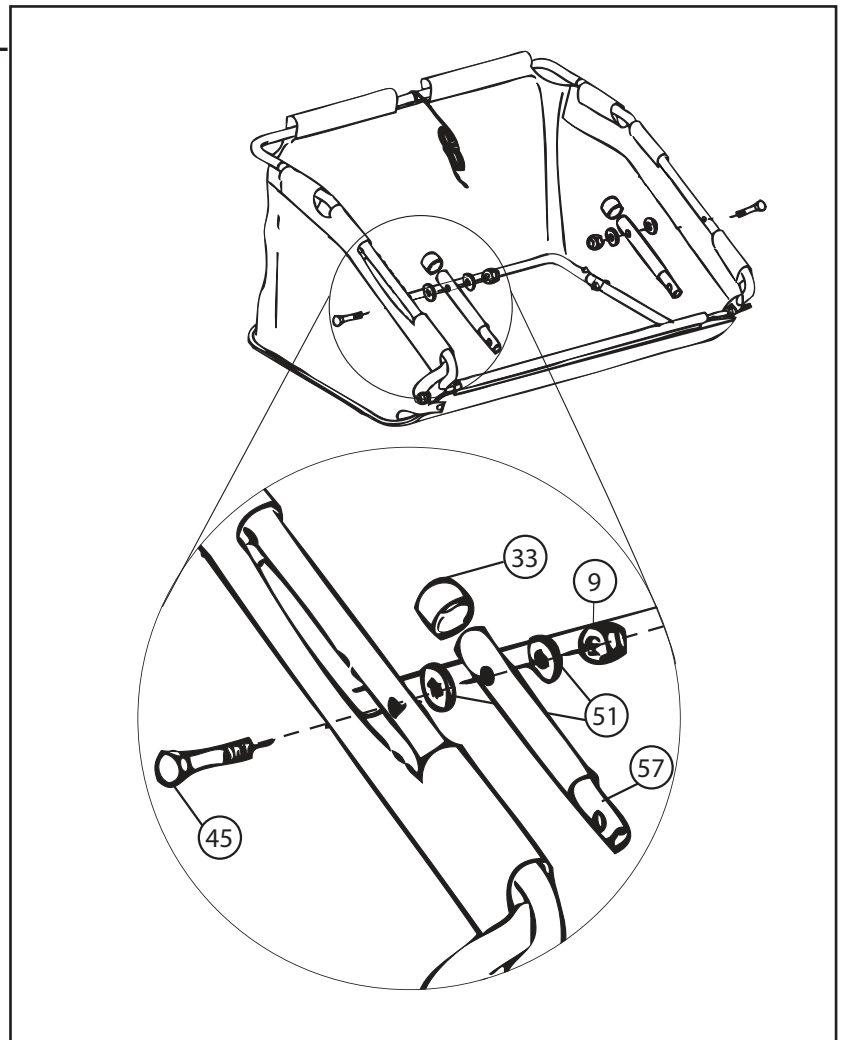
- Pull up on bottom of Hamper (55) from "J" Channel and hook "J" Channel onto Hamper Stop Rod (54).
- Snap side flaps to Hamper (55) bottom as shown.

Note: Flap should be on the outside of Lower Side Tubes (52) after assembly.

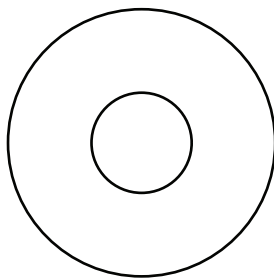


STEP 11

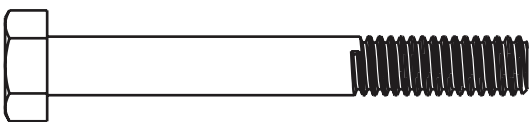
- Attach Hamper Mount Tube (57) with Hex Bolts (45), Washers (51), and Lock Nuts (9) as shown. Do not overtighten. Hamper Mount Tube (57) must be free to pivot.
- Attach Vinyl Cap (33) to Hamper Mount Tube (57) as shown.



9
5/16" Nylon Lock Nut
Qty. 2



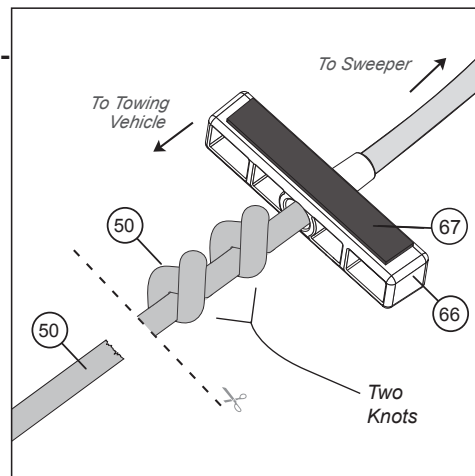
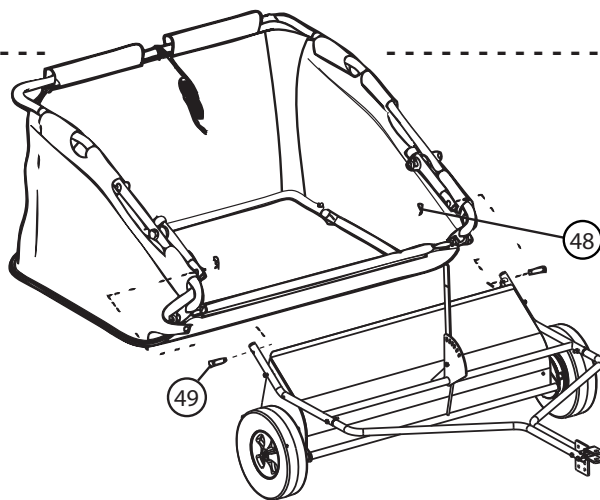
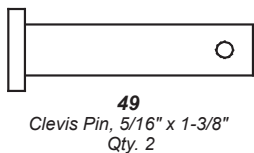
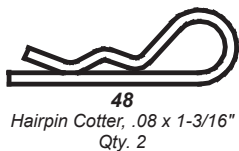
51
5/16" Flat Washer
Qty. 4



45
5/16" x 2-1/2" Hex Bolt
Qty. 2

ASSEMBLY

STEP 12



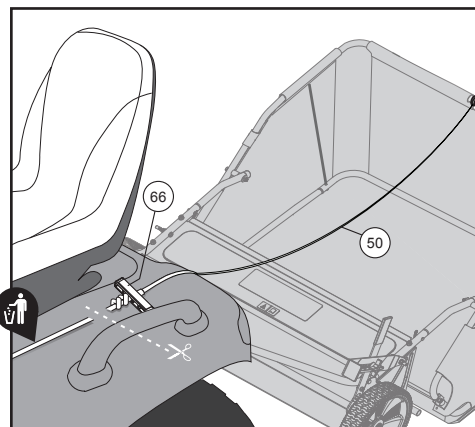
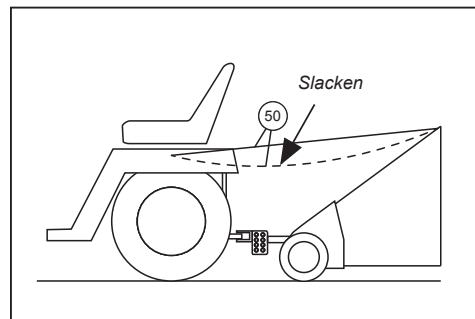
A. With the sweeper attached to the towing vehicle, attach the hamper assembly to back of sweeper by placing Clevis Pins (49) through holes in Hamper Mount Tubes (57) and upper frame assembly (35).

B. Hamper should not touch ground. For adjustment, see section "Leveling Hamper" at end of this manual.

Extend Pull Rope (50) to the back of the towing vehicle to an area that will be easily accessible from the towing vehicle seat. This is the area that the Pull Handle (66) will be attached. Allow the Pull Rope (50) to slacken several inches. *Droop between the towing vehicle & tied point on the Hamper.*

Tie 2 knots in this area of the Pull Rope and drag the Handle (66) toward the knots. Pull to secure their position on the rope.

Clean the area of the towing vehicle that the pull handle (66) will attach to. Affix the adhesive hook & loop (67) tape to the back of the towing vehicle in the cleaned area.



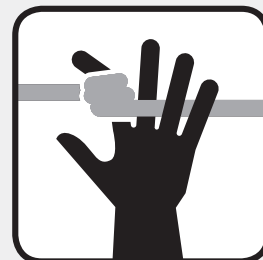
CAUTION: The pull rope & handle can get tangled in the sweeper brushes of the sweeper during operation. After dumping the hamper, always make sure to fully secure the pull handle (66) to the back of the towing vehicle using the loop tape.

Cut and discard any excess rope below the two knots that have been tied.



TO PREVENT ANY POTENTIAL INJURY OR DIGITAL AMPUTATION, PLEASE BE AWARE OF THE FOLLOWING:

- **DO NOT** wrap the pull rope around your wrists, fingers or ANY body parts.
- **DO NOT** use the pull rope while the towing vehicle is moving.
- Attach the pull rope as directed on pages 14-15 of this manual.
- Avoid overfilling the hamper. Heavy loads are more difficult to dump.
- Park towing vehicle and set the parking brake before dumping material.
- Use the handle that has been provided.
- **After dumping the hamper:** Always make sure to fully secure the Pull Handle to the back of the towing vehicle using the Hook and Loop tape.



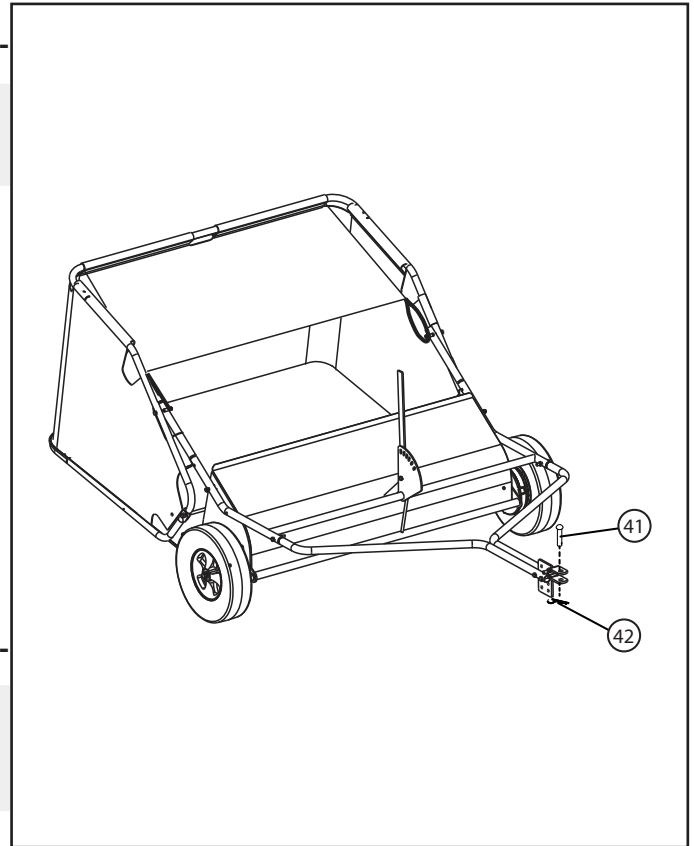
OPERATION

INSTALLING YOUR SWEEPER



CAUTION: AVOID INJURY! Before installing sweeper make sure the hamper has been unloaded.

1. Lock towing vehicle in park.
(See *Towing Vehicle Manual*)
2. Align clevis with towing vehicle drawbar.
3. Install Hitch Pin (41) through clevis and vehicle drawbar and secure the Locking Pin (42).
4. Attach hamper assembly to back of sweeper.
5. Hamper should not touch ground. For adjustment see section "Leveling Hamper" at end of this manual.



REMOVING YOUR SWEEPER



CAUTION: AVOID INJURY! Before removing the sweeper make sure the hamper (55) has been unloaded of all grass and leaves.

1. Unload Hamper.
2. Secure towing vehicle parking brake.

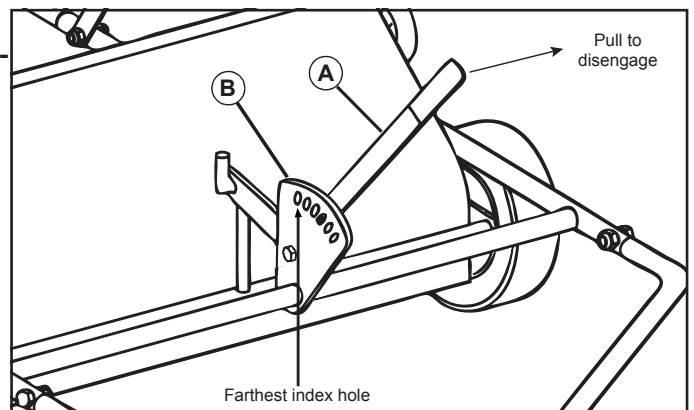


CAUTION: AVOID INJURY! Keep feet away from under drawbar.

3. Remove Hairpin Cotter (42) and Hitch Pin (41).
4. Push away from towing vehicle.
5. Install Hitch Pin (41) through Hitch Clevis Assembly (1) and secure with Hairpin Cotter (42) for storage.

TRANSPORTING YOUR SWEEPER

1. Park vehicle on a hard, level surface and set parking brake.
2. Pivot lift handle (A) away from lock plate (B) to disengage lock pin handle from index hole in lock plate.
3. Move lift handle back (toward the housing) to raise the brush height.
4. Align the lock pin with the farthest index hole in lock plate (B) and release lift handle (A) to secure height adjustment.



OPERATION

DETERMINING WEIGHT FOR CART

The following maximum loaded weight capacity is the average weight of the sweeper plus the weight loaded in the hamper & dethatcher attachment.

Model	Weight Capacity with Dethatcher
STS-42BHDK	102 lbs. dry 222 lbs. with wet grass

Towing capacity will vary with weight of towing vehicle and operator. Add the weight of your machine to operator weight to find the maximum capacity for towing.

Example:

If Towing vehicle weighs:	400 lbs.
Add your weight:	200 lbs.
Combined weight equals:	600 lbs.

To maintain stability in this example, you cannot safely tow more than 600 lbs. without first adding additional ballast to the towing vehicle.

ADJUSTING BRUSH HEIGHT

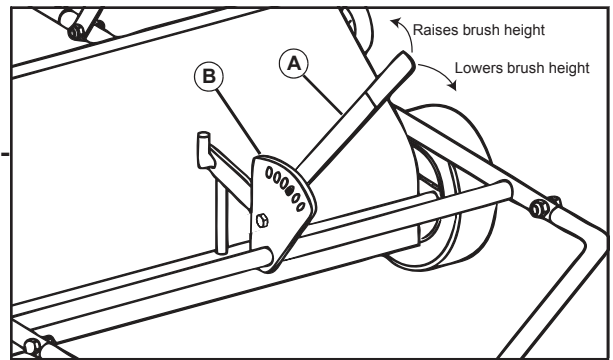
Normal lawn sweeping is accomplished when the brushes sweep at the same height as the mower cutting height.

NOTE: Setting brush height too low for sweeping conditions causes excessive wheel slippage. For maximum performance, adjust brushheight as high as possible for the material and conditions.

1. Pivot lift handle (A) away from lock plate (B) to disengage lock pin in handle from index hole in lock plate.
2. Move lift handle forward (towards the towing vehicle) to lower brush height, or back (toward the housing) to raise the brush height. Align lock pin with appropriate index hole in lock plate and release lift handle to secure height adjustment.

CAUTION: AVOID INJURY!
Excessive towed load can cause loss of traction and loss of control on slopes. Stopping distance increases with speed and weight of towed load.
Total towed weight must not exceed combined weight of towing vehicle, ballast and operator.

CAUTION: AVOID INJURY! If additional weight is required when towing, add weight at or forward of the rear wheels. Adding weight behind the rear wheels can affect vehicle steering. *Refer to your towing vehicle manual.*

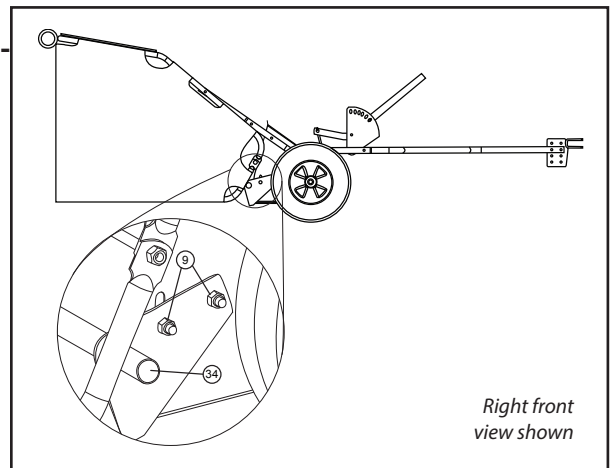


Brush Height	Sweeping Conditions
25mm (1 in.) to 50mm (2 in.)	Mowed lawns under normal conditions, or light leaves
50mm (2 in.) to 75mm (3 in.)	Highgrass, heavy leaves or heavy grass clippings.

LEVELING HAMPER

After the brush height has been set, the tow tubes may require adjustment to level the tow tubes to the ground. This can be accomplished by removing the clevis and adjusting the clevis up or down (refer to step 5). After the tow tubes are approximately level, the hamper stop assembly may have to be adjusted so the hamper assembly clears the ground.

1. Loosen two nuts (9) slightly, securing each side of hamper stop bracket (34) to brush housing. The rear bracket mounting holes in the brush housing are slotted, allowing the bracket to be pivoted up or down for adjustment.
2. Tap the hamper stop tube (34) up or down to adjust the resting position of the hamper so that it is approximately level. Tighten hardware.



OPERATION

EMPTYING HAMPER



CAUTION: AVOID INJURY! Make sure area is clear of bystanders, especially children, before backing up.

BEFORE DUMPING MATERIAL FROM THE HAMPER: Park towing vehicle and set parking brake (see owners manual).

TO EMPTY HAMPER:

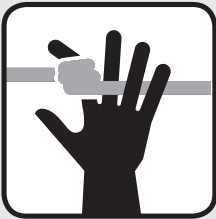
1. Tow the sweeper to a location the material should be dumped.
2. Stop towing vehicle and set parking brake.
3. Pull Handle (35) and Rope (37) to tilt hamper forward/upward, allowing material to exit the opening at the front of the Hamper.
4. Replace Pull Handle (35) to Hook and Loop (36) fixed to the towing vehicle.

IMPORTANT: Avoid overfilling the Hamper, especially when sweeping freshly mowed grass or other moist material. Heavy loads will be more difficult to dump.

IMPORTANT: After dump operation is complete, confirm Pull Handle (35) is fully secured to the back of the towing vehicle. Pull Rope and Handle can get tangled in the sweeper brushes if they fall on the ground in front of the sweeper during operation.



TO PREVENT ANY POTENTIAL INJURY OR DIGITAL AMPUTATION, PLEASE BE AWARE OF THE FOLLOWING:



- **DO NOT** wrap the pull rope around your wrists, fingers or ANY body parts.
- **DO NOT** use the pull rope while the towing vehicle is moving.
- Attach the pull rope as directed on pages 14 of this manual.
- Avoid overfilling the hamper. Heavy loads are more difficult to dump.
- Park towing vehicle and set the parking brake before dumping material.
- Use the handle that has been provided.
- **After dumping the hamper:** Always make sure to fully secure the Pull Handle to the back of the towing vehicle using the Hook and Loop tape.

OPERATING SPEED

The operating ground speed of the sweeper has a direct effect on how swept material is thrown into the hamper. Material will be thrown farther toward the back of the hamper as ground speed increases.

Operate the sweeper at a ground speed that will throw material to the back of the hamper. Under normal conditions approximately the speed of a brisk walk or a speed of 3mph (40 feet in 9 seconds) works best.

USING THE WIND SCREEN

The Hamper Wind Screen can be configured in two positions based on conditions and preference.

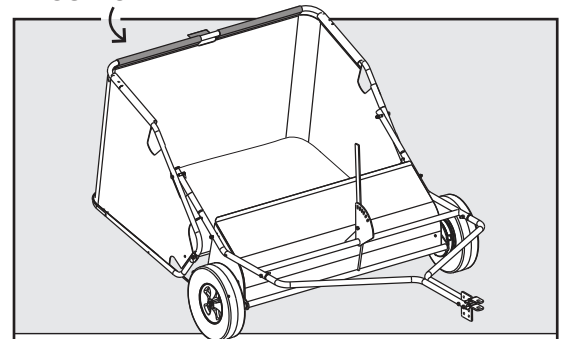
POSITION 1: Wind Screen Fully Open

Allow the Wind Screen to hang off the back of the Hamper. This condition can be used when there is little to no wind; Operating speed should be slower to ensure material is not thrown over the Hamper.

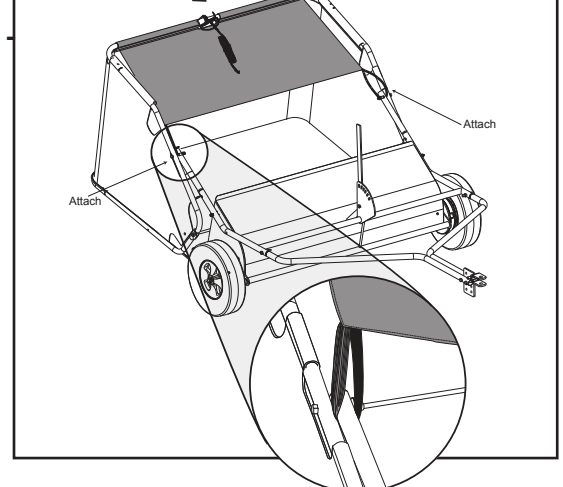
POSITION 2: Wind Screen Half Closed

Attach the Wind Screen to the Hamper Mount Tubes using the elastic straps on the ends of the Wind Screen. Can be used in a medium wind to prevent material from blowing out of Hamper; Operating speed should be slower to ensure material is not thrown over the Hamper or Wind Screen.

POSITION 1



POSITION 2

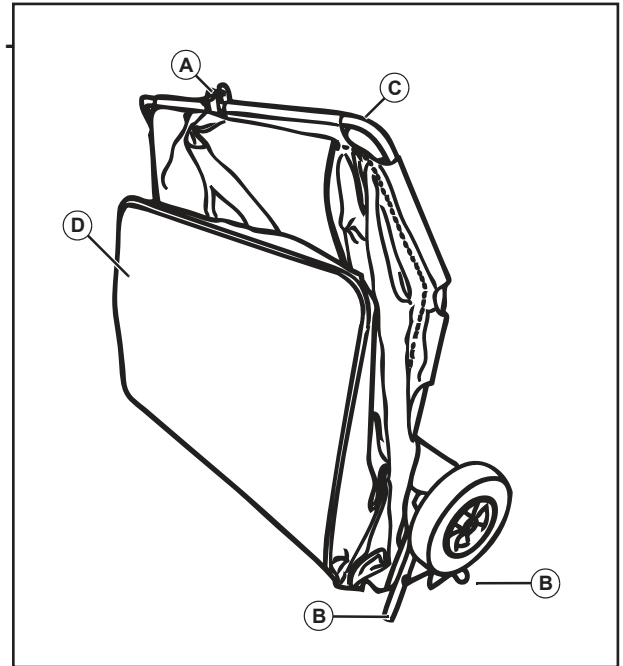


OPERATION

STORING

The sweeper can be tipped upright and stored against a wall using a minimum of space:

1. Remove any loose material from hamper and brush housing / drive assembly. The sweeper should be clean and dry before configuring for storage.
2. Remove small hairpin cotters and clevis pins securing hamper assembly to brush housing and remove hamper assembly.
3. Remove the hamper spring rods and collapse the hamper.
4. Remove large hairpin cotter and hitch pin from hitch clevis, if stored there.
5. Move lift handle to the index hole farthest forward (toward the tow tubes).
6. Roll sweeper to desired storage area, lift hitch clevis (A) topivot sweeper to vertical position and resting on the tubes (B) at rear of sweeper (bottom of sweeper should face wall).
7. Lift the collapsed hamper assembly by the rear tubes, positioning the middle of the upper rear tube (C) at the center hamper cut-out over the opening in the hitch clevis (the inside of the hamper faces the lift handle and tow tubes, and the bottom (D) of the hamper facing outward). Lower the hamper to rest in the hitch clevis.
8. Replace hitch pin and large hairpin cotter.



TROUBLESHOOTING

<p>Sweeper does not pick up:</p>	<ol style="list-style-type: none"> 1. The adjustment lever is set too low. A sweeper is not a dethatcher and cannot pull thatch, embedded needles or leaves from deep in the grass. The adjustment height should be set to the height of the mower deck blades. 2. The adjustment lever is set too high. Lower the adjustment lever. 3. There is a problem with the drive system. See the "Sweeper Wheels" section.
<p>Grass goes over the top of the Hamper:</p>	<ol style="list-style-type: none"> 1. Forward speed is too fast. Slow the towing vehicle down. Best speed is 3 mph or less. (3 mph = 40 feet in 9 seconds). 2. Wind screen can be used to break wind coming over the top of the hamper. Slower forward speeds must be used when using the wind screen.
<p>Sweeper wheels not moving, skipping or are locking up:</p>	<ol style="list-style-type: none"> 1. The brush is not turning or stops turning. The adjustment lever is set too low. Measure the cut height of the mower. Set the brush height to sweep the same as the cut height. 2. The drive dowel (21) located inside the small metal drive pinion (24 & 25) are sticking. Remove, clean, and lubricate the dowel with a light oil (WD40, 3 in 1). Do not use motor oil or grease. This should be done at least once per season. We recommend in the fall before storage as a minimum. 3. The drive pinion is worn and because of the wear it locks up the drive dowel. Replace the drive pinions. R-2485LH and R-2485RH. 4. The drive pinions when re-installed were installed backwards... ie: the right side (as if you are sitting on the tractor seat looking forward) was installed on the left. Remove the pinions. On the back side (opposite) the gears, there is a stamp "R" and "L." Make sure the pinion with the "R" is installed on the right side.
<p>Hamper drags the ground:</p>	<ol style="list-style-type: none"> 1. The tow bars are not horizontal to the ground when attached to the tractor. Remove the clevis and reinstall in a different set of holes. The clevis can be turned over to get additional adjustment. See Installation Step 5. 2. After adjustments in Step 1 are complete, adjustments to hamper stop bracket can be made. See "Leveling Hamper" section.

SERVICE

- Do not allow material to remain in the hamper for extended periods of time. Clean the hamper using a water hose and allow to dry prior to storage.
- Check all moving parts for wear and freedom of movement.
- Routine lubrication of the pinion and dowel pin is required. We recommend in the fall before storage as a minimum. Remove, clean and lubricate the dowel pin (21) inside the drive pinions (24 & 25) with a light oil such as WD40, 3 in 1, or similar. Do not use motor oil or grease.
- Check the drive pinions for wear. These are considered normal wear parts. Contact our Customer Service Department to purchase replacement drive pinions (Part Numbers R-2485-RH and R-2485-LH).
- Lubricate the wheels annually with multipurpose grease.
- Check all fasteners for tightness.
- Inspect for rust on painted surfaces. Sand lightly and touch up damaged areas with enamel paint.

SPECIFICATIONS

Maximum Towing Speed	5 mph
Hamper Capacity	20 cu.ft.
Maximum Hamper Weight	120 lbs.
Empty Weight with Dethatcher Attachment	102 lbs.
Maximum Towed Weight with Dethatcher Attachment	222 lbs.

GETTING QUALITY SERVICE

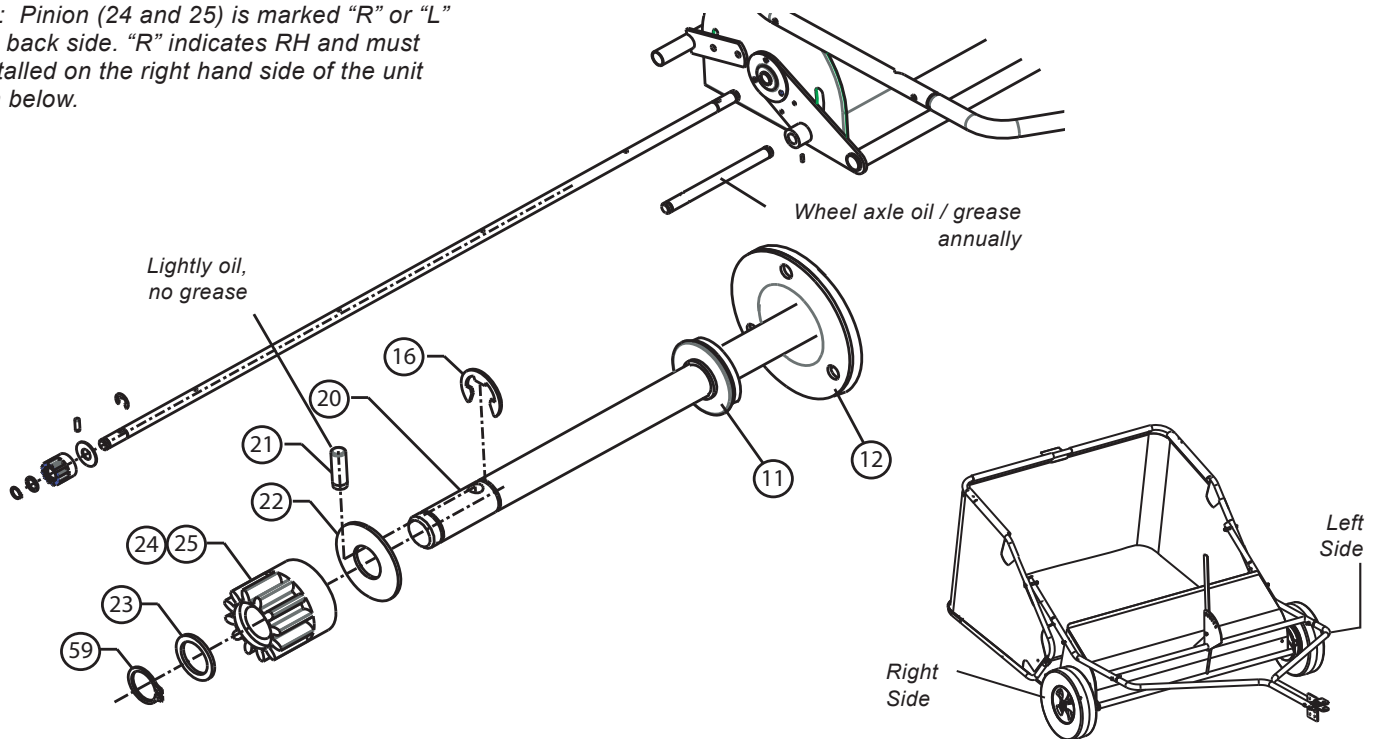
Quality Continues with Quality Service

We provide a process to handle your questions or problems. Follow the steps below to get answers to any questions you may have about your product.

1. Refer to your attachment & machine operator manuals.
2. In North America or Canada, call 1-877-728-8224 and provide product serial number and model number.

DRIVE PINION REFERENCE

NOTE: Pinion (24 and 25) is marked "R" or "L" on the back side. "R" indicates RH and must be installed on the right hand side of the unit shown below.





MANUFACTURER'S LIMITED WARRANTY FOR BRINLY PULL-BEHIND ACCESSORIES

The limited warranty set forth below is given by Brinly-Hardy Company with respect to new merchandise purchased and used in the United States, its possessions and territories.

Brinly-Hardy Company warrants the products listed below against defects in material and workmanship, and will at its option, repair or replace, free of charge, any part found to be defective in materials or workmanship. This limited warranty shall only apply if this product has been assembled, operated, and maintained in accordance with the Operator's manual furnished with the product, and has not been subject to misuse, abuse, commercial use, neglect, accident, improper maintenance, alteration, vandalism, theft, fire, water, or damage because of other peril or natural disaster.

Normal Wear Parts or components thereof are subject to separate terms as follows: All normal wear parts or component failures will be covered on the product for a period of 90 days.

Parts found to be defective within the warranty period will be replaced at our expense. Our obligation under this warranty is expressly limited to the replacement or repair, at our option, of parts found to be defective in material and workmanship.

HOW TO OBTAIN SERVICE: Warranty parts replacements are available, **ONLY WITH PROOF OF PURCHASE**, through our Customer Service Department. Call 877-728-8224.

This limited warranty does not provide coverage in the following cases:

- a) Routine maintenance items such as lubricants and filters.
- b) Normal deterioration of the exterior finish due to use or exposure.
- c) Transportation and/or labor charges.
- d) The warranty does not include commercial and/or rental use.

No implied warranty, including any implied warranty of merchantability of fitness for a particular purpose, applies after the applicable period of express written warranty above as to the part as identified below. No other express warranty whether written or oral, except as mentioned above, given by any person or entity, including a dealer

or retailer, with respect to any product, shall bind Brinly-Hardy Co. During the period of the warranty, the exclusive remedy is repair or replacement of the product as set forth above.

The provisions as set forth in this warranty provide the sole and exclusive remedy arising from the sale. Brinly-Hardy Co. shall not be liable for incidental or consequential loss or damage including, without limitation, expenses incurred for substitute or replacement lawn care services or for rental expenses to temporarily replace a warranted product.

Some states do not allow the exclusion or limitation of incidental or consequential damages, or limitations on how long an implied warranty lasts, so the above exclusions or limitations may not apply to you.

During the warranty period, the exclusive remedy is replacement of the part. In no event shall recovery of any kind be greater than the amount of the purchase price of the product sold. Alteration of safety features of the product shall void this warranty. You assume the risk and liability for loss, damage, or injury to you and your property and/or to others and their property arising out of the misuse or inability to use this product.

This limited warranty shall not extend to anyone other than the original purchaser or to the person for whom it was purchased as a gift.

HOW STATE LAW RELATES TO THIS WARRANTY:

This limited warranty gives you specific legal rights, and you may also have other rights which vary from state to state.

IMPORTANT: The Warranty period stated below begins with the **PROOF OF PURCHASE**. Without the proof of purchase, the Warranty period begins from the date of manufacture determined by the serial number manufacturing date.

WARRANTY PERIOD:

The warranty period for the product shown in this manual is as follows: Steel Frame Parts: 2 Years. Tires, Wheels and Drive are normal wear parts - 90 days.