

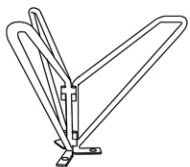



ASSEMBLY INSTRUCTIONS

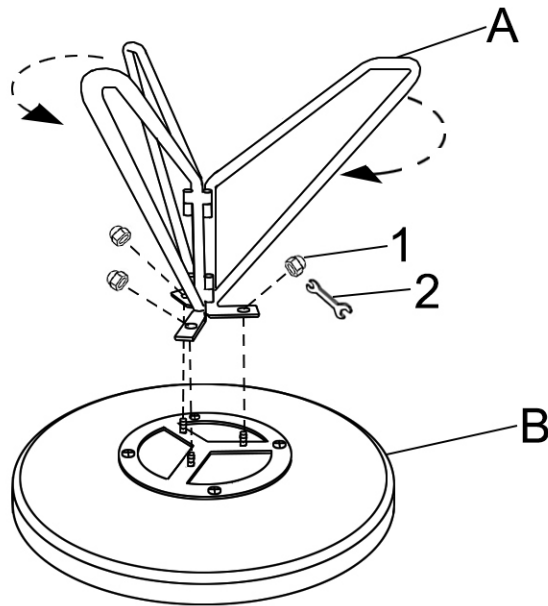
ITEM NO: 217193

Parts required

1		Cap nut	Φ6MM	3pcs
2		Wrench		1pc

A		1pc
B		1pc

1.



2.

